

US00D516033S

(12) **United States Design Patent**
Huang

(10) **Patent No.:** **US D516,033 S**

(45) **Date of Patent:** **** Feb. 28, 2006**

(54) **CABLE CONNECTOR**

(76) **Inventor:** **George Ying-Liang Huang, 9**
Studebaker, Irvine, CA (US) 92618

(**) **Term:** **14 Years**

(21) **Appl. No.:** **29/222,570**

(22) **Filed:** **Feb. 1, 2005**

(51) **LOC (8) Cl. 13-03**

(52) **U.S. Cl. D13/147**

(58) **Field of Classification Search D13/133,**
D13/146, 147, 153-154, 184, 199; 439/607-610,
439/680, 686

See application file for complete search history.

(56) **References Cited**

U.S. PATENT DOCUMENTS

D312,447 S	*	11/1990	Esslinger	D13/133
5,267,882 A	*	12/1993	Davis	439/680
D411,170 S	*	6/1999	Deutsch	D13/146
D416,233 S	*	11/1999	Tsai	D13/153
D416,869 S	*	11/1999	Tsai	D13/153
6,036,544 A	*	3/2000	Brunker et al.	439/607
D429,484 S	*	8/2000	Nishio et al.	D13/147
D432,500 S	*	10/2000	Nishio et al.	D13/147
D452,217 S	*	12/2001	Shimojyo	D13/147

6,508,678 B1	*	1/2003	Yang	439/677
D491,894 S	*	6/2004	Jiang	D13/147
2004/0115990 A1	*	6/2004	Kodama	439/607
2005/0023027 A1	*	2/2005	Lin	174/112

* cited by examiner

Primary Examiner—Stella Reid

Assistant Examiner—Daniel Bui

(74) *Attorney, Agent, or Firm*—Darby & Darby

(57) **CLAIM**

The ornamental design for cable connector, as shown and described.

DESCRIPTION

FIG. 1 is a perspective view of a cable connector showing my new design;

FIG. 2 is a front elevational view thereof;

FIG. 3 is a rear elevational view thereof;

FIG. 4 is a left side elevational view thereof;

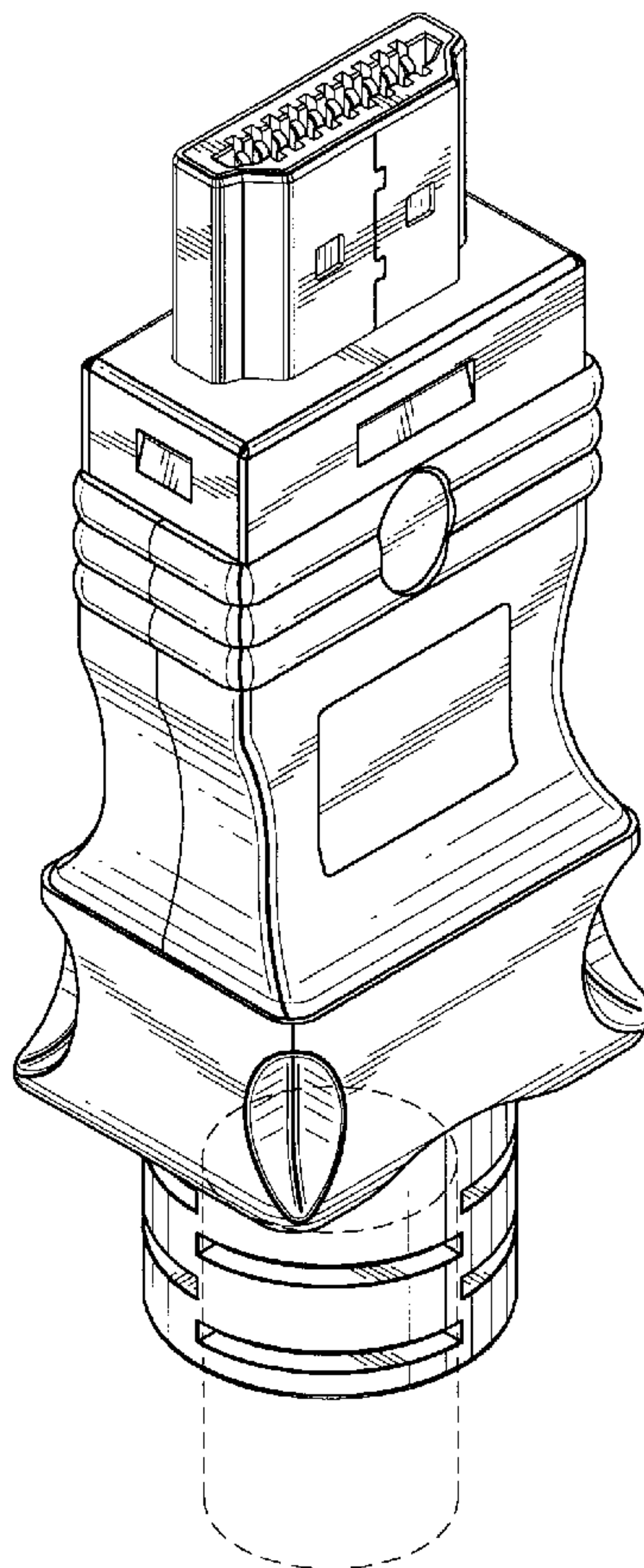
FIG. 5 is a right side elevational view thereof;

FIG. 6 is a top plan view thereof; and,

FIG. 7 is a bottom plan view thereof.

The broken line showing of the environment is for illustrative purposes only and forms no part of the claimed design.

1 Claim, 4 Drawing Sheets



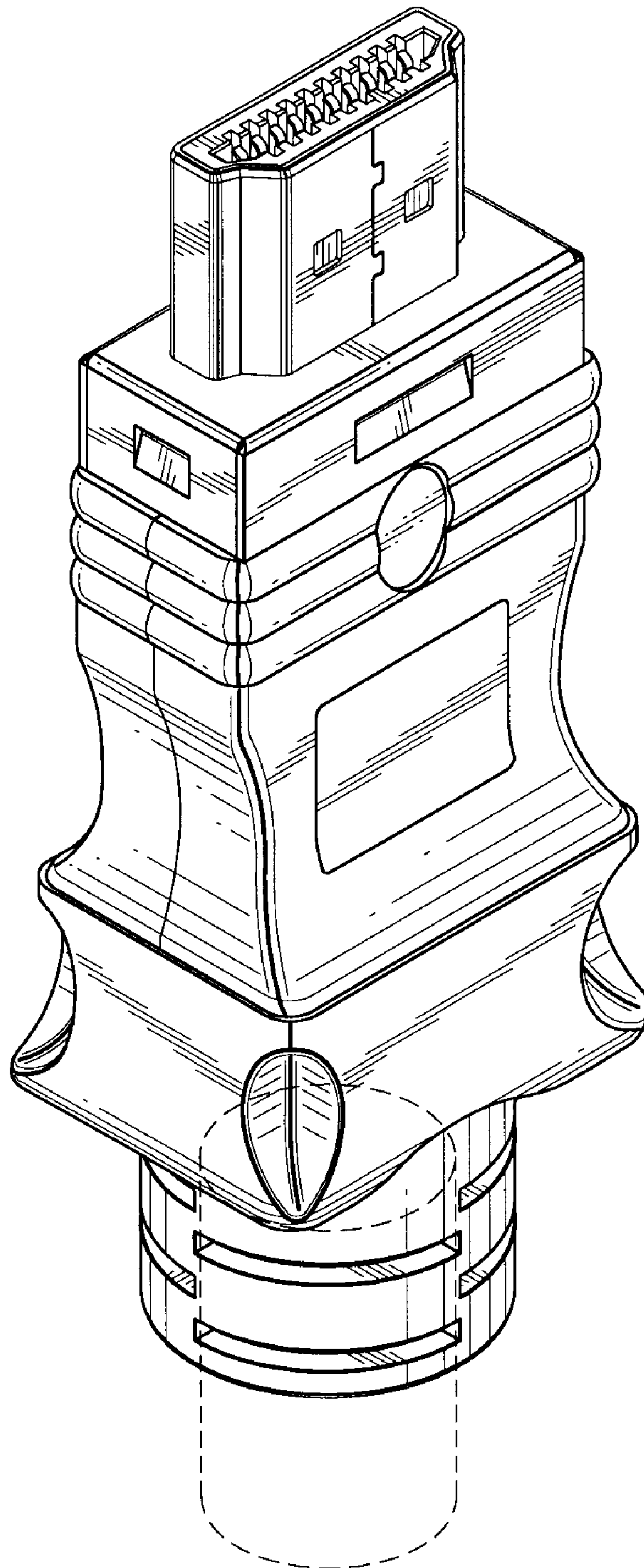


FIG. 1

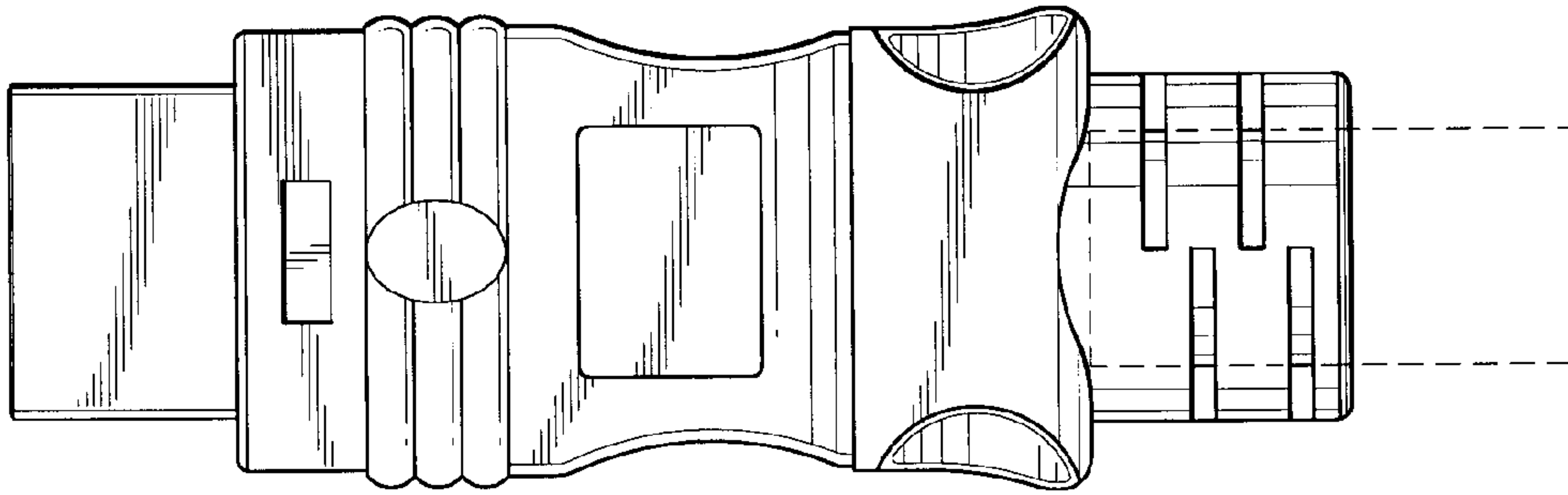


FIG. 3

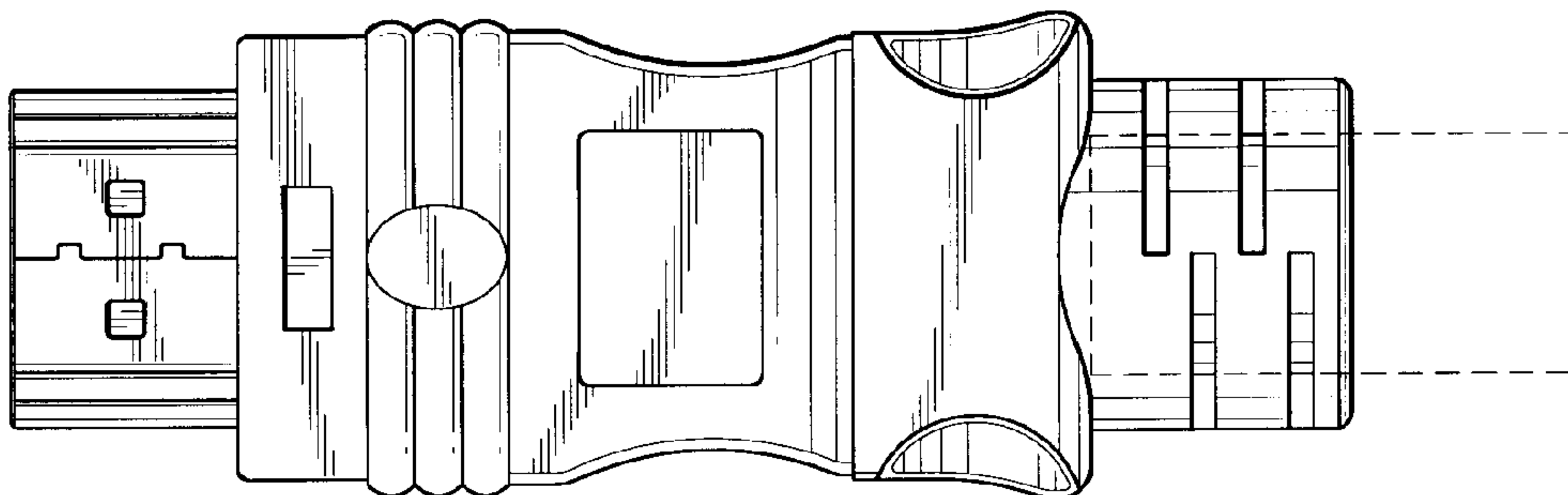


FIG. 2

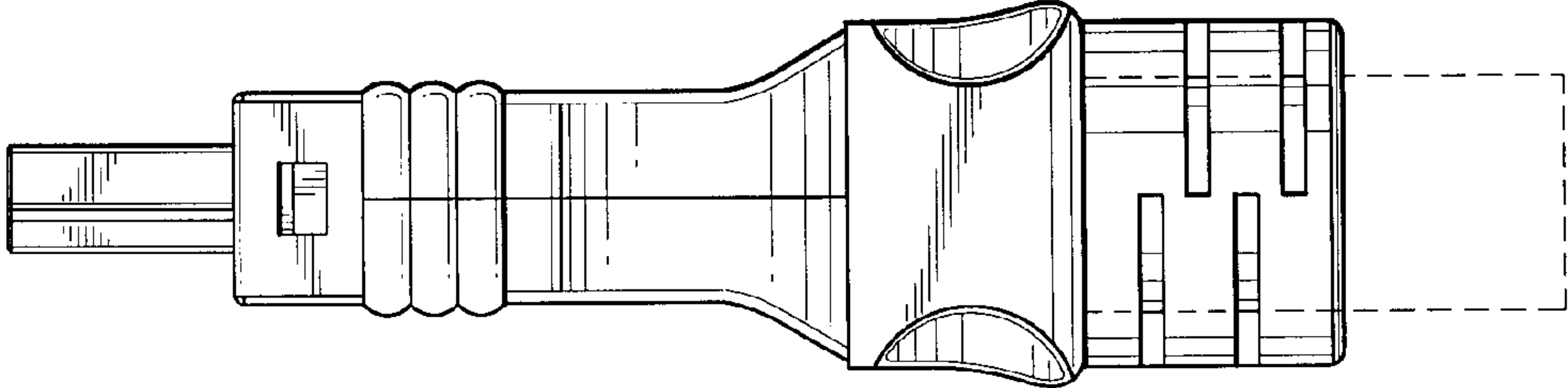


FIG. 5

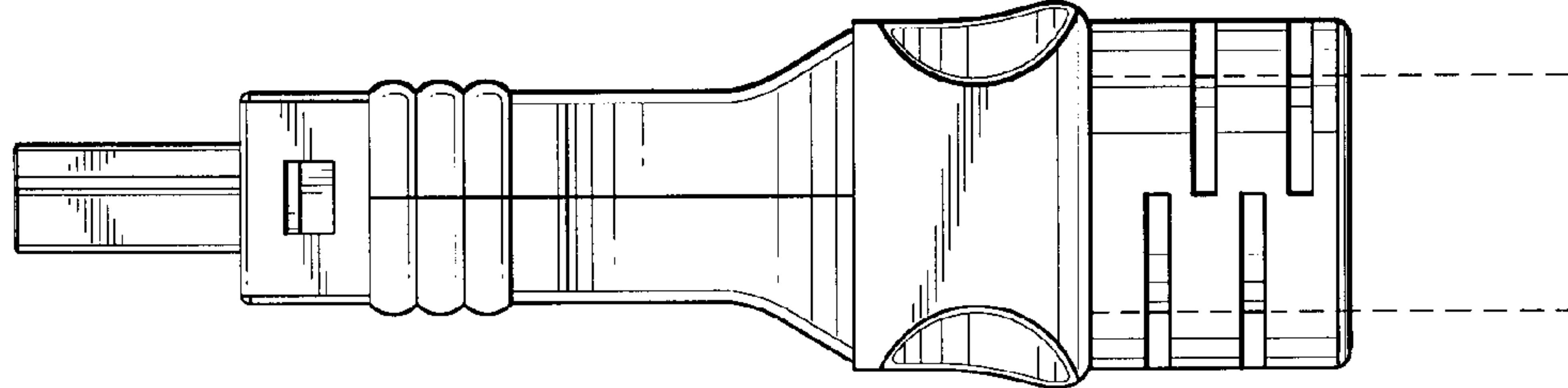


FIG. 4

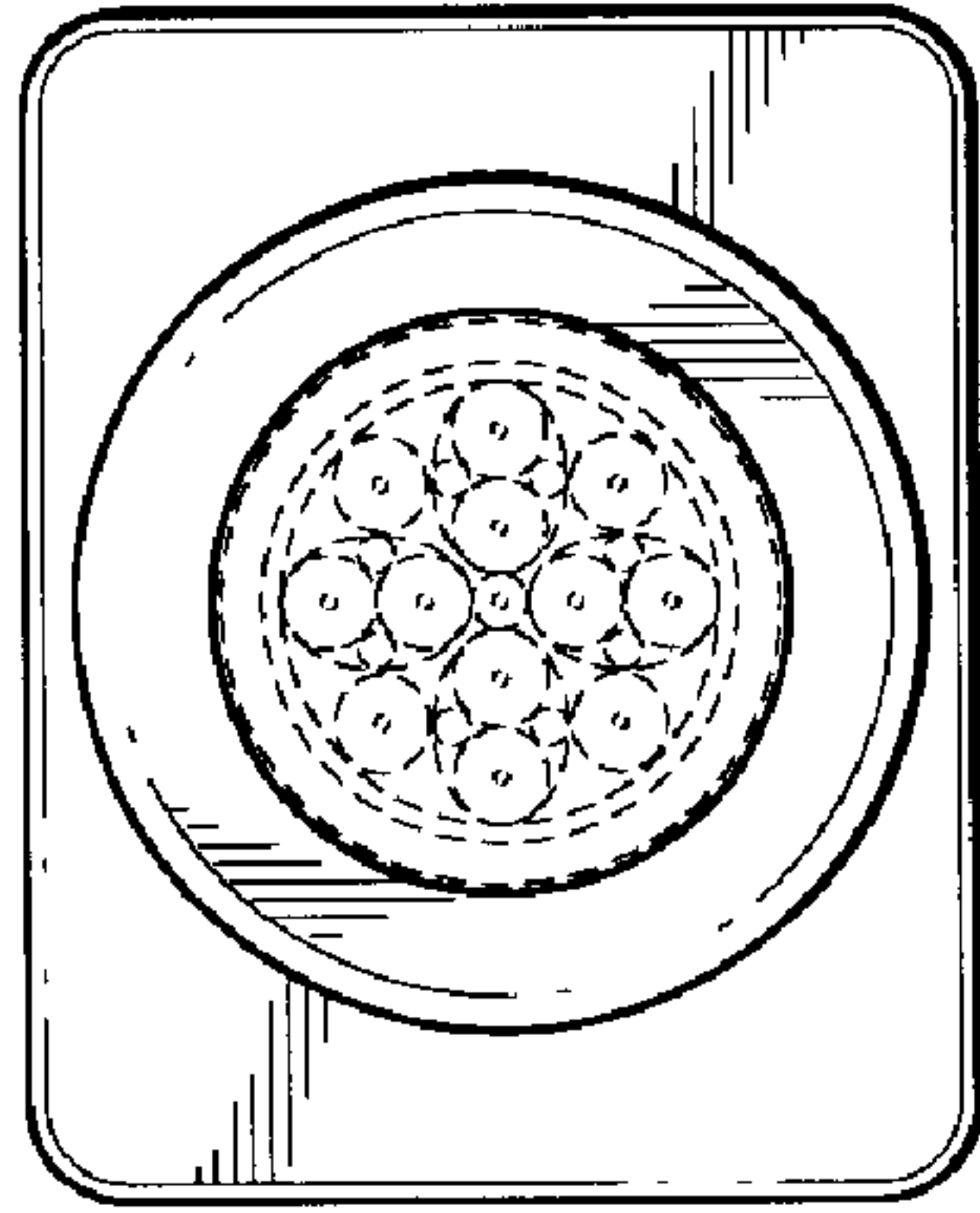


FIG. 7

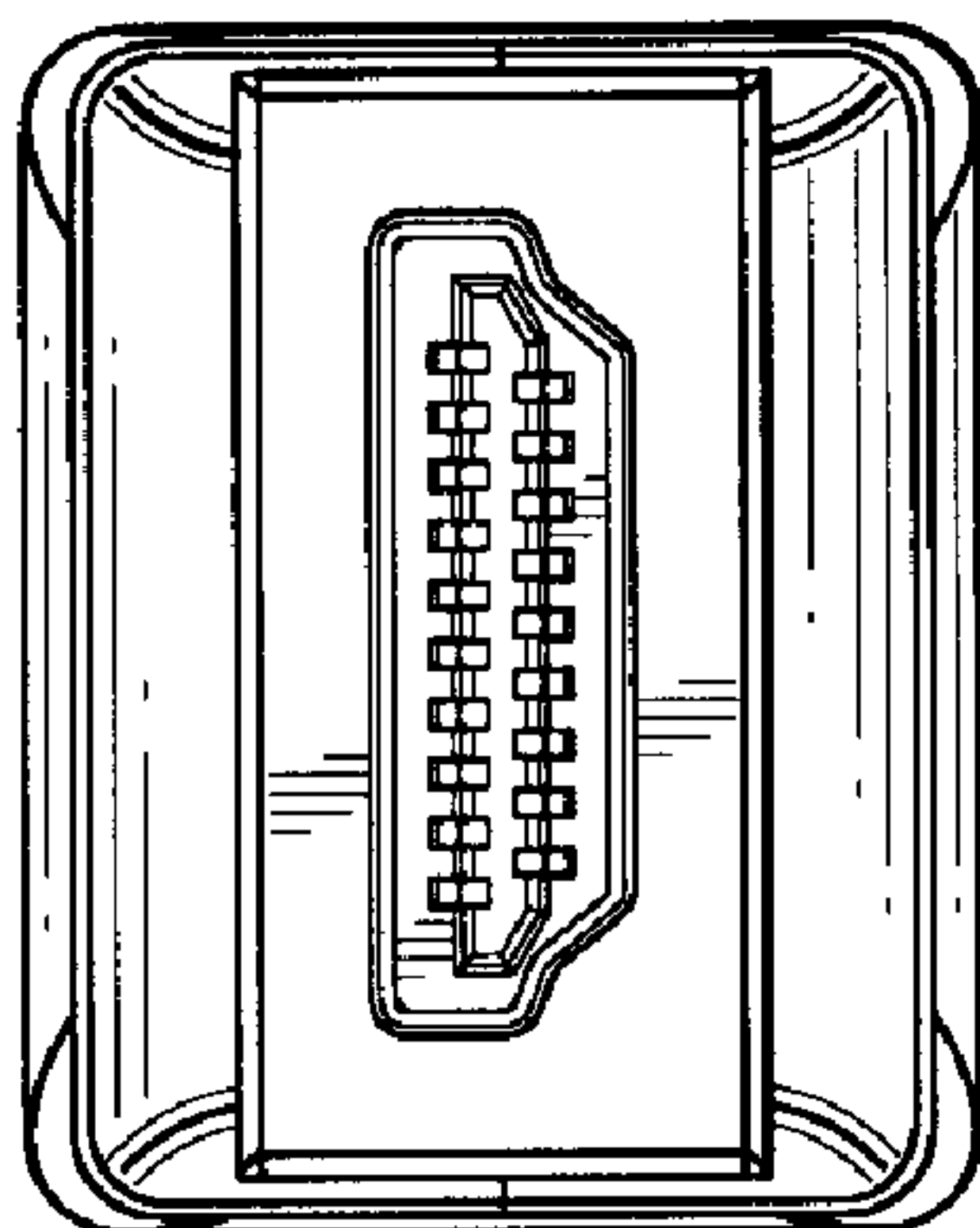


FIG. 6