



US00D516031S

(12) **United States Design Patent**
Han et al.

(10) **Patent No.: US D516,031 S**

(45) **Date of Patent: ** Feb. 28, 2006**

(54) **COMPUTER SIGNAL CABLE SOCKET**

(75) Inventors: **Beom-Ku Han**, Seoul (KR);
Jong-Seong Lee, Seoul (KR)

(73) Assignee: **Samsung Electronics Co., Ltd.** (KR)

(**) Term: **14 Years**

(21) Appl. No.: **29/204,549**

(22) Filed: **Jan. 30, 2004**

(30) **Foreign Application Priority Data**

Oct. 30, 2003 (KR) 30-2003-0030463

(51) **LOC (8) Cl. 13-03**

(52) **U.S. Cl. D13/147**

(58) **Field of Classification Search** D13/133,
D13/146, 147, 153-154, 184, 199; 439/607-610,
439/680, 686

See application file for complete search history.

(56) **References Cited**

U.S. PATENT DOCUMENTS

- 5,793,352 A * 8/1998 Greenberg et al. 345/699
- 5,898,789 A * 4/1999 Nichols et al. 381/361
- D415,998 S * 11/1999 Brown et al. D13/154

- D433,994 S * 11/2000 Jobs et al. D13/110
- D471,156 S * 3/2003 Sass et al. D13/133
- D479,825 S * 9/2003 Hung D13/146
- D484,137 S * 12/2003 Wikel et al. D14/433
- 2003/0038723 A1 * 2/2003 Luebke et al. 340/635
- 2005/0073810 A1 * 4/2005 Hui-Chu et al. 361/685

* cited by examiner

Primary Examiner—Stella Reid

Assistant Examiner—Daniel Bui

(74) *Attorney, Agent, or Firm*—Cantor Colburn LLP

(57) **CLAIM**

We claim, the ornamental design for a computer signal cable socket, as shown and described.

DESCRIPTION

FIG. 1 is a top and front perspective view of a computer signal cable socket, showing our new design;
 FIG. 2 is a front elevational view thereof;
 FIG. 3 is a rear elevational view thereof;
 FIG. 4 is a left side elevation view thereof, the right side elevation view is a mirror image thereto;
 FIG. 5 is a top plan view thereof; and,
 FIG. 6 is a bottom plan view thereof.

1 Claim, 4 Drawing Sheets

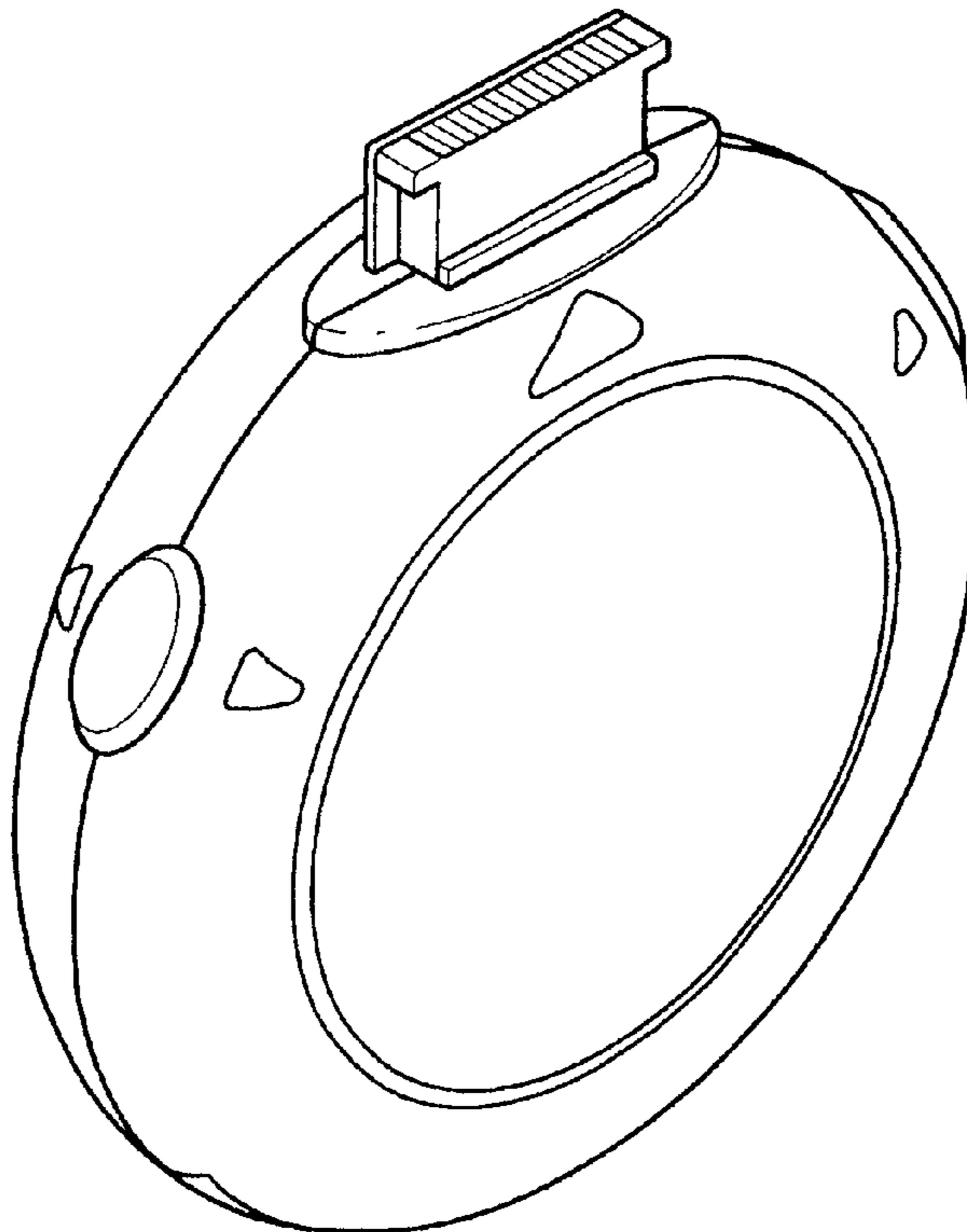


FIG. 1

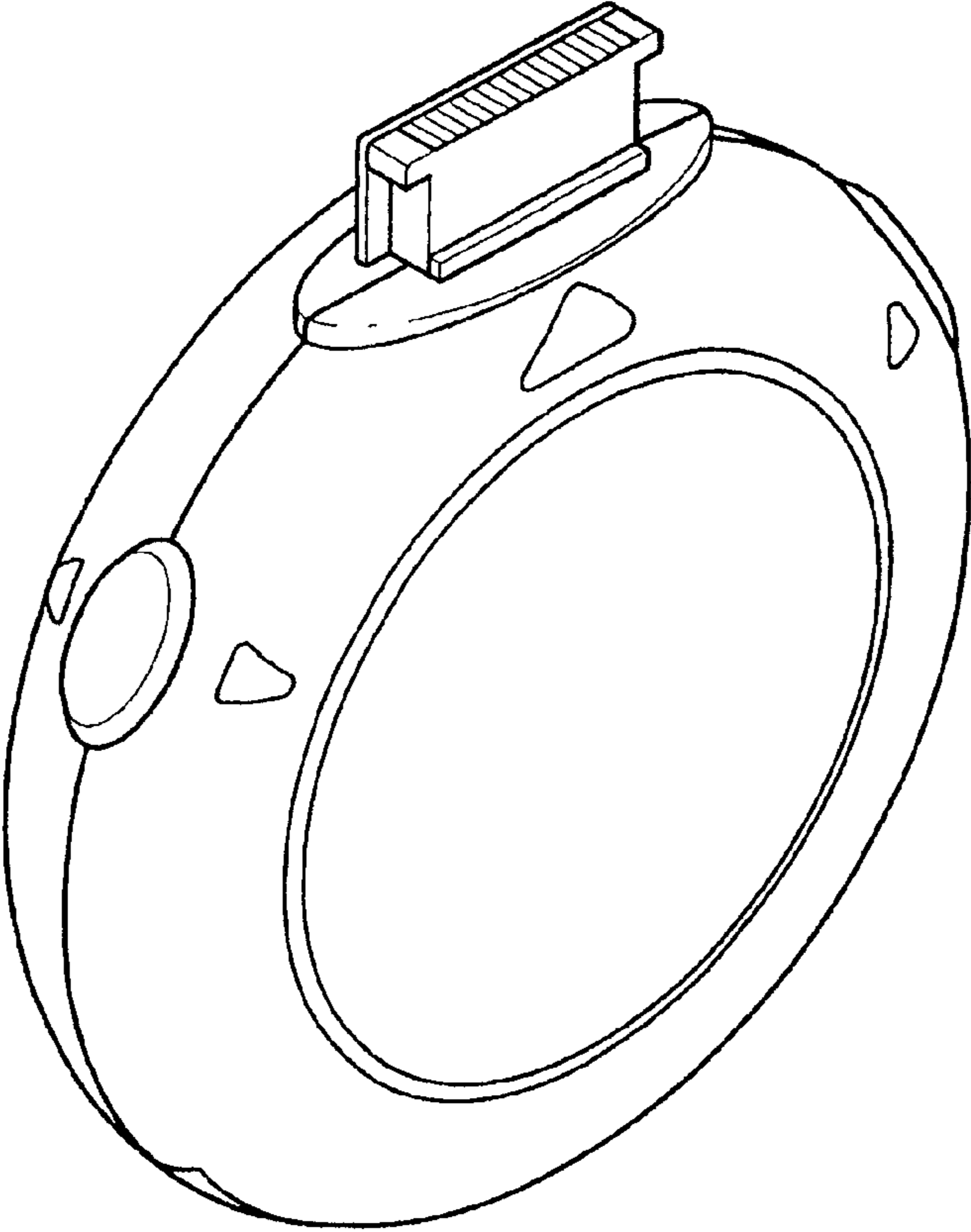


FIG. 2

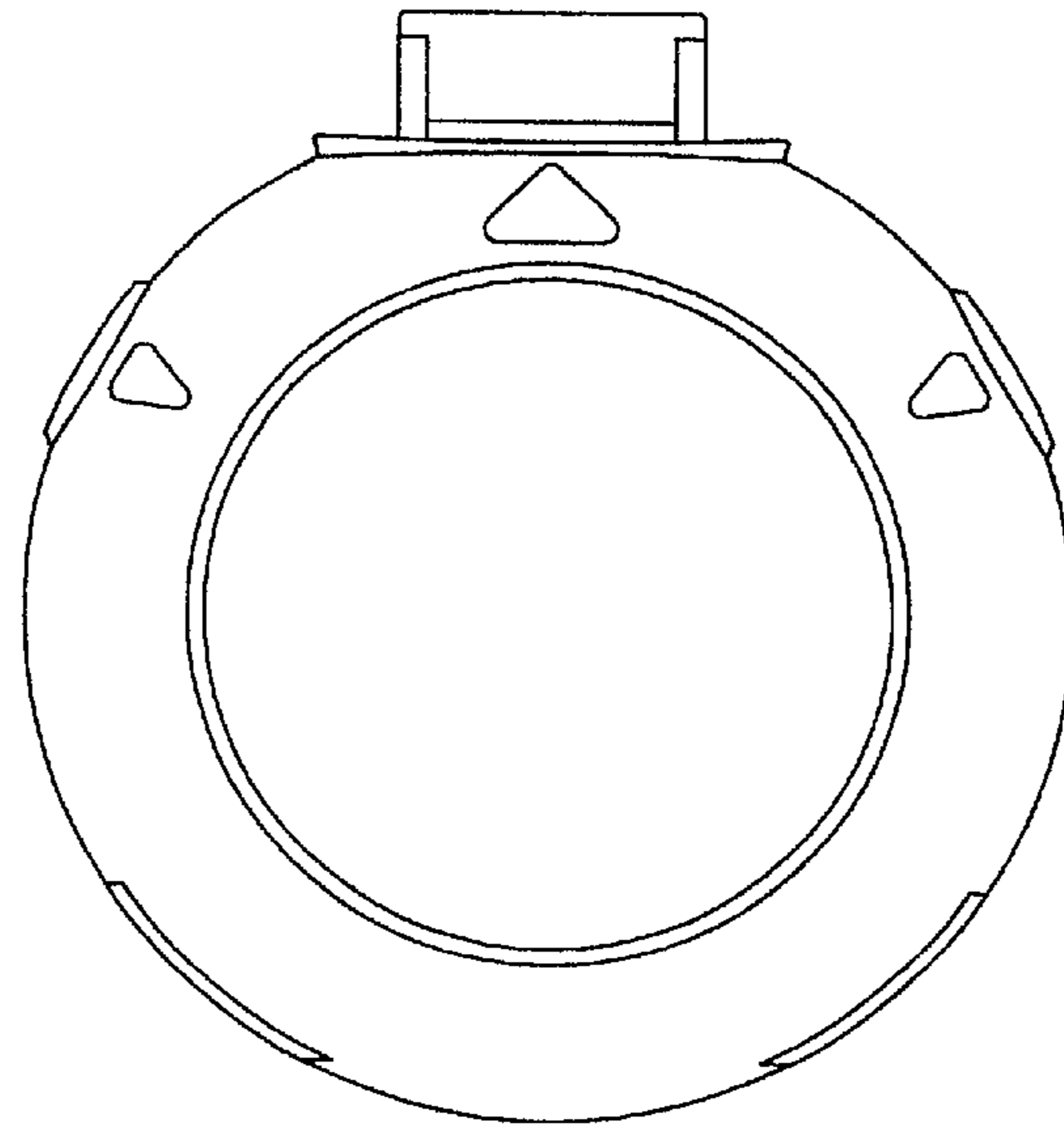


FIG. 3

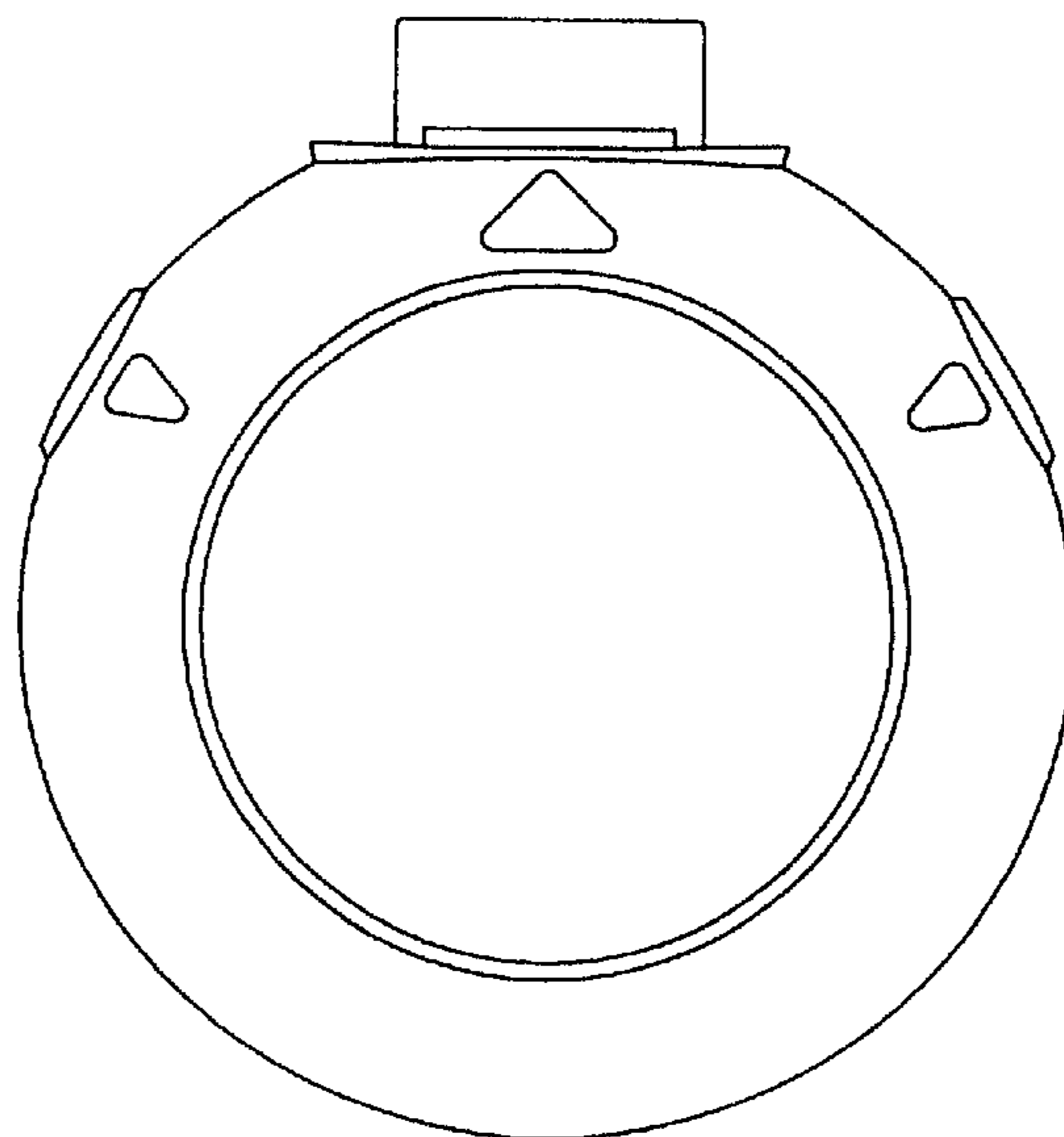


FIG. 4

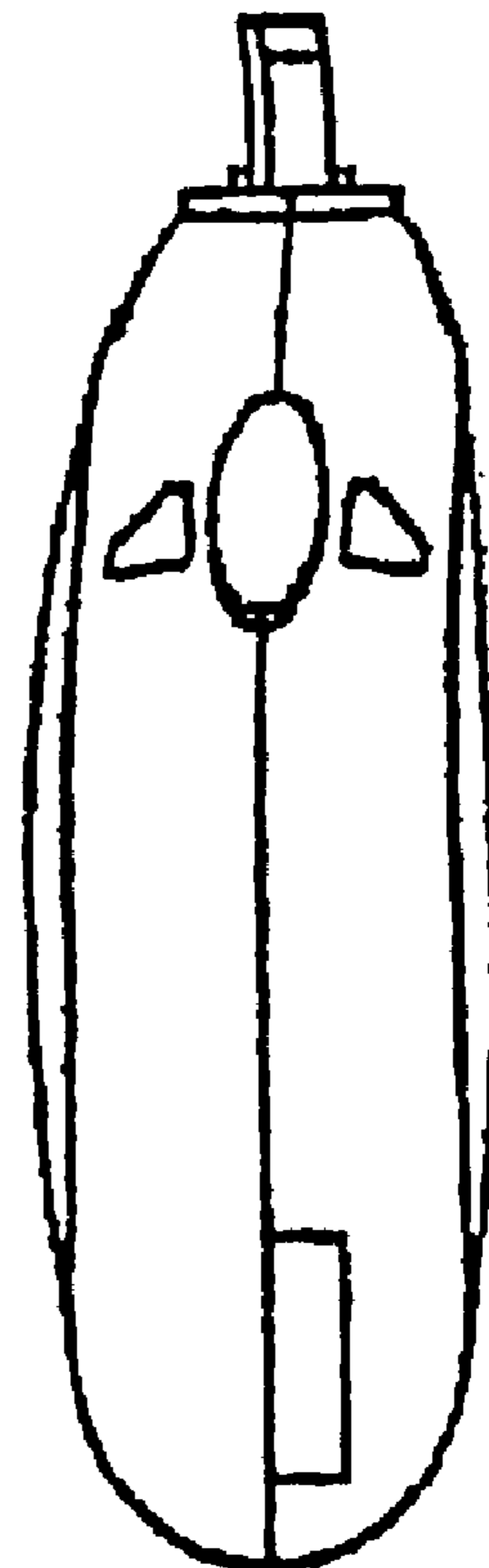


FIG. 5

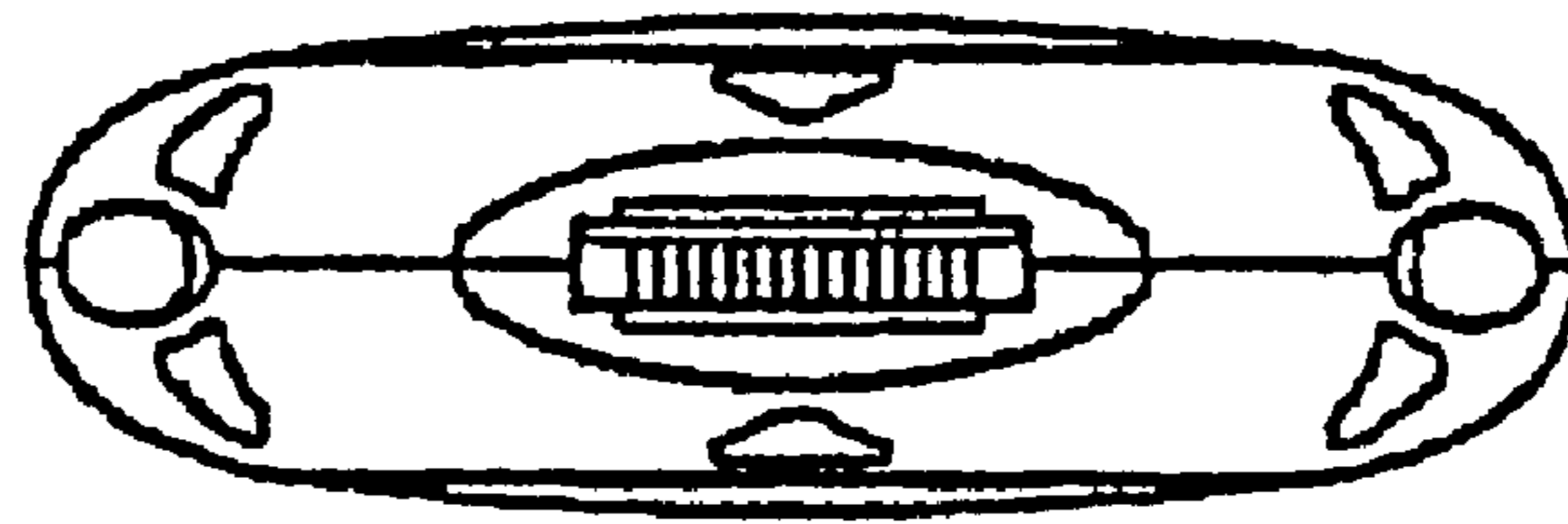


FIG. 6

