



US00D516029S

(12) **United States Design Patent**
Stekelenburg

(10) **Patent No.:** **US D516,029 S**

(45) **Date of Patent:** **** Feb. 28, 2006**

(54) **GARDEN STAKE**

(76) **Inventor:** **Albert Stekelenburg**, 9th Fl., Kuang-Fu S. Rd., Taipei (TW)

(**) **Term:** **14 Years**

(21) **Appl. No.:** **29/220,326**

(22) **Filed:** **Dec. 30, 2004**

(51) **LOC (8) Cl.** **13-03**

(52) **U.S. Cl.** **D13/139.4; D8/1**

(58) **Field of Classification Search** D13/123,
D13/133, 139.1, 139.2, 139.4, 139.5, 152;
D24/129; D25/127; D8/1; 52/165, 220.1,
52/220.2; 362/102, 276

See application file for complete search history.

(56) **References Cited**

U.S. PATENT DOCUMENTS

D431,477 S * 10/2000 Stekelenburg D10/40
D439,999 S * 4/2001 Stekelenburg D26/65
D453,497 S * 2/2002 Stekelenburg D13/139.4

D453,732 S * 2/2002 Stekelenburg D13/139.4
D460,415 S * 7/2002 Stekelenburg D13/139.4
D495,932 S * 9/2004 Kopka D8/1

* cited by examiner

Primary Examiner—Alan P. Douglas

Assistant Examiner—Rosemary K. Tarcza

(74) *Attorney, Agent, or Firm*—Troxell Law Office, PLLC

(57) **CLAIM**

The ornamental design for a garden stake, as shown and described.

DESCRIPTION

FIG. 1 is a top view of a garden stake showing my new design;

FIG. 2 is a front view thereof;

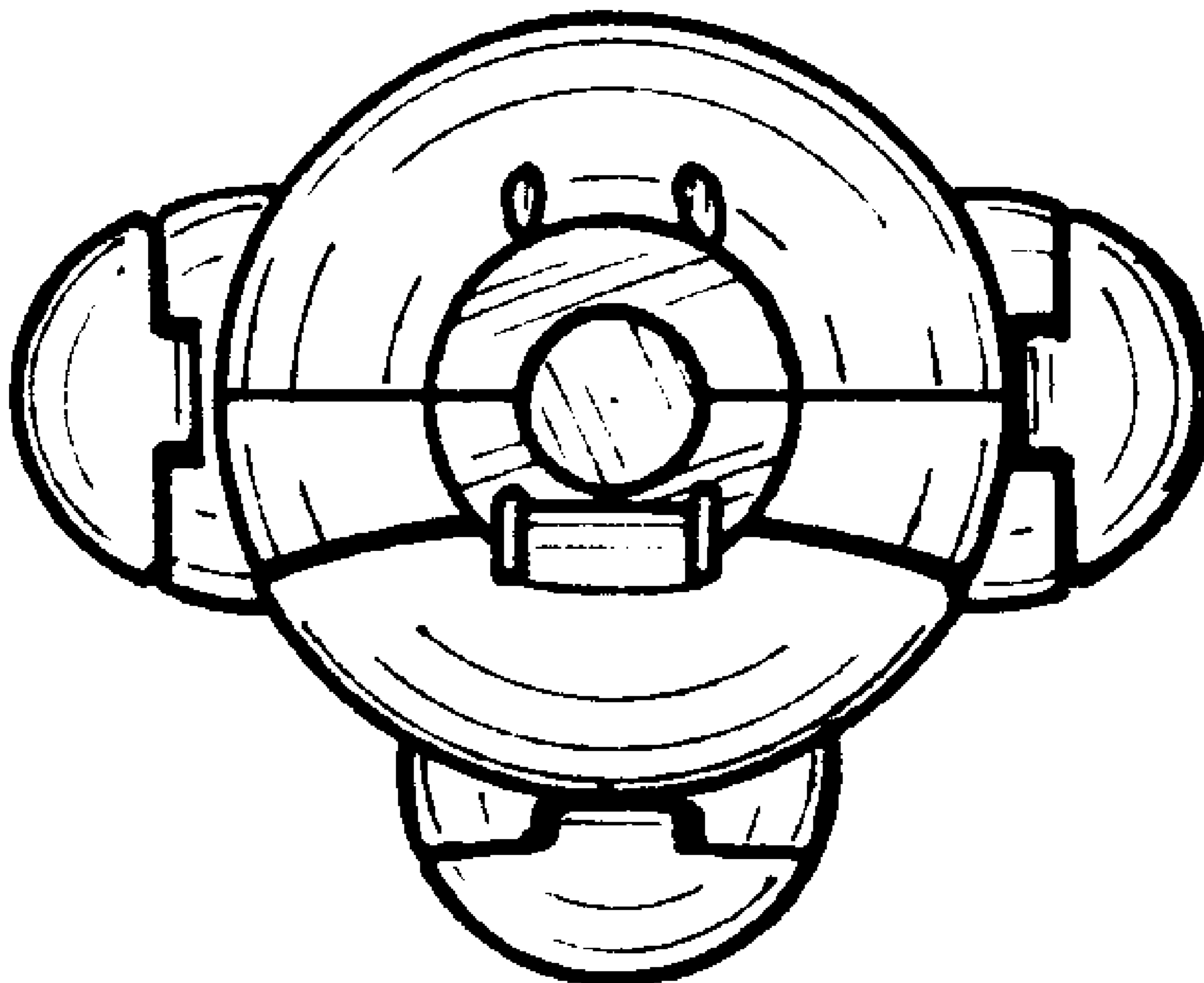
FIG. 3 is a right side elevational view thereof;

FIG. 4 is a rear view thereof;

FIG. 5 is a left side elevational view thereof; and,

FIG. 6 is a bottom view thereof.

1 Claim, 2 Drawing Sheets



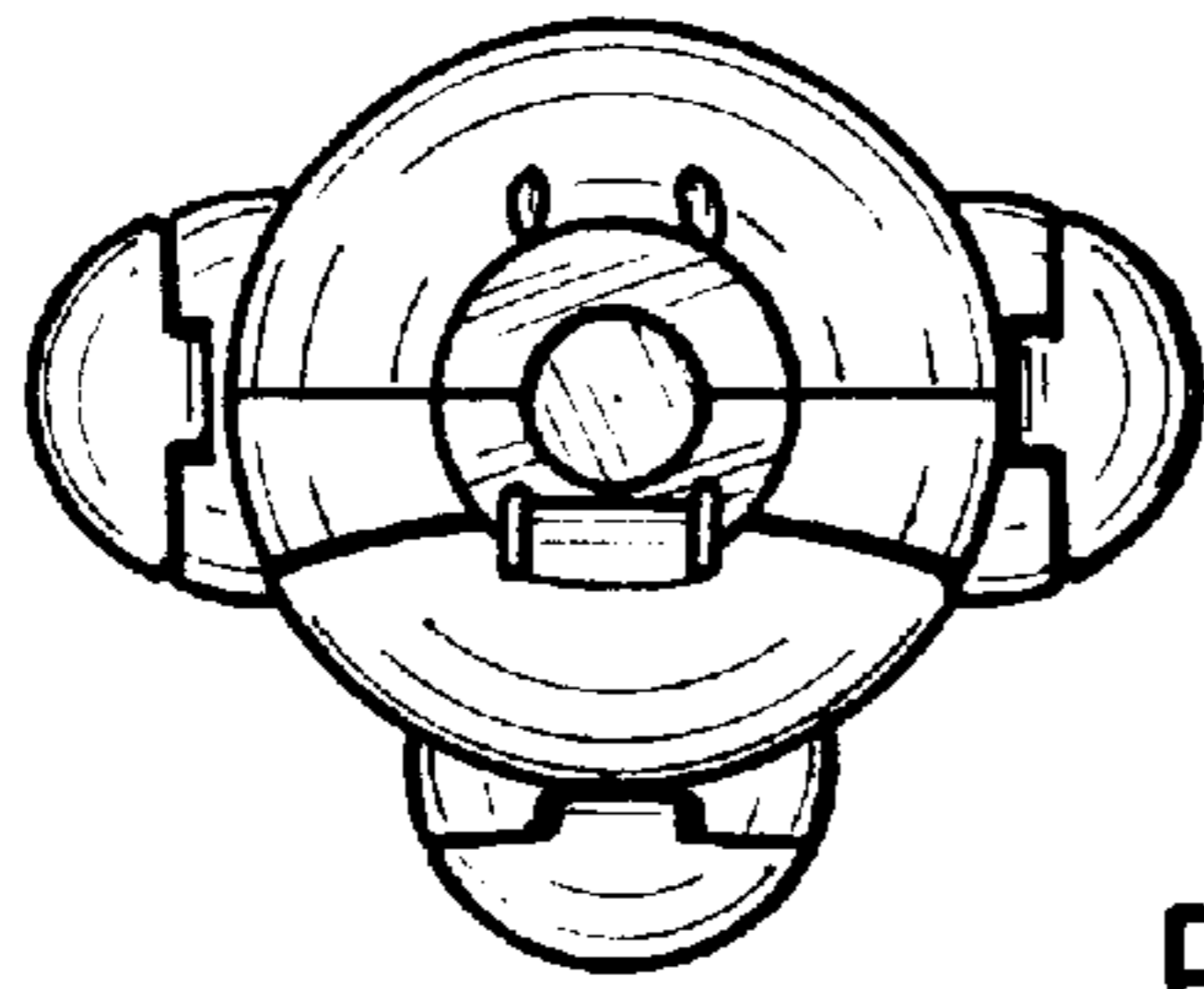


FIG. 1

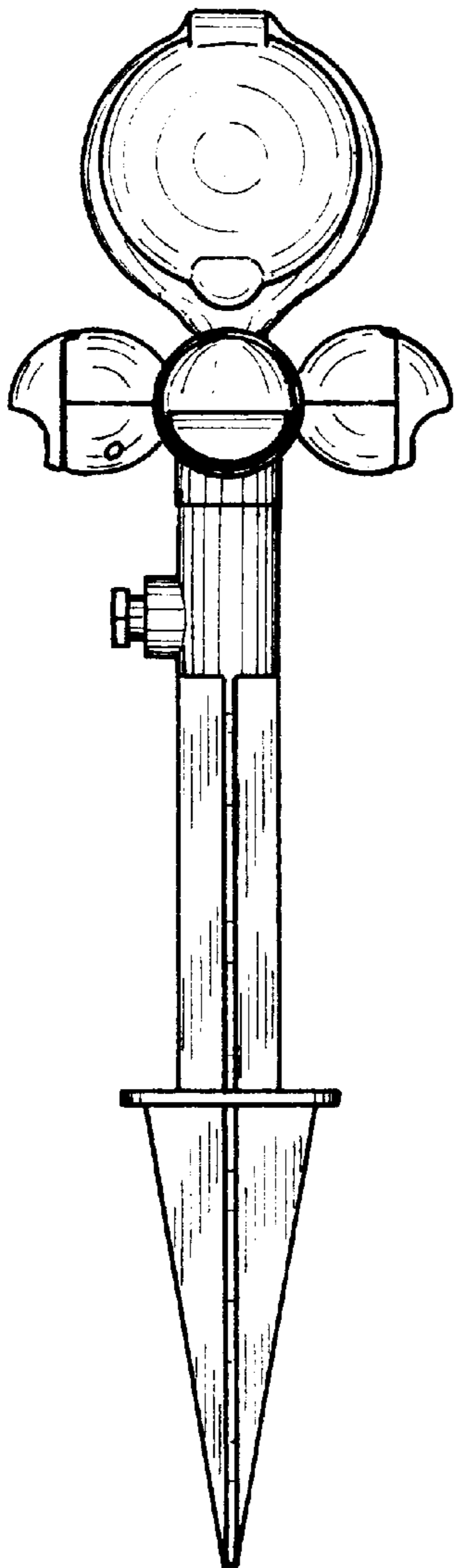


FIG. 2

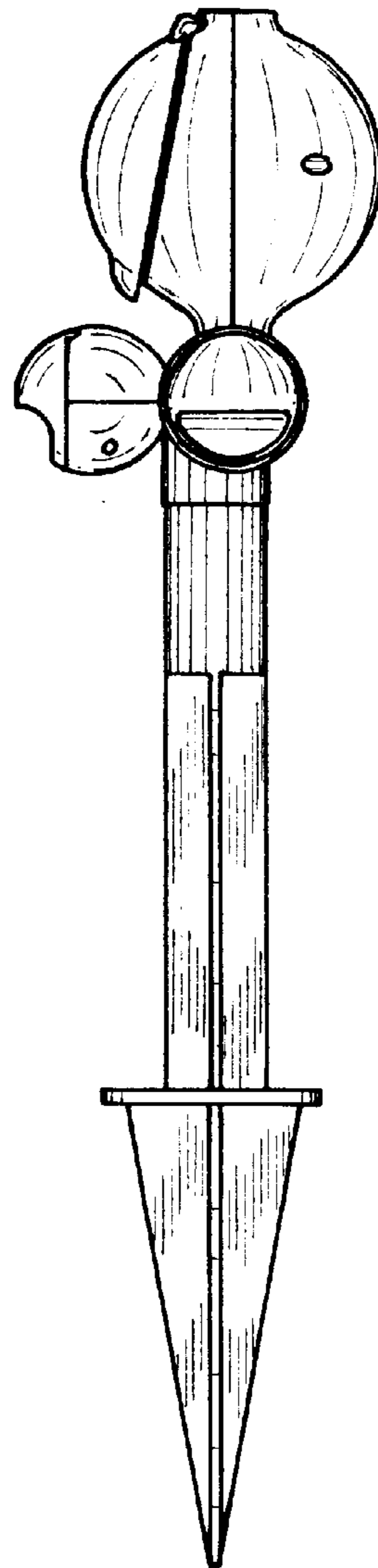


FIG. 3

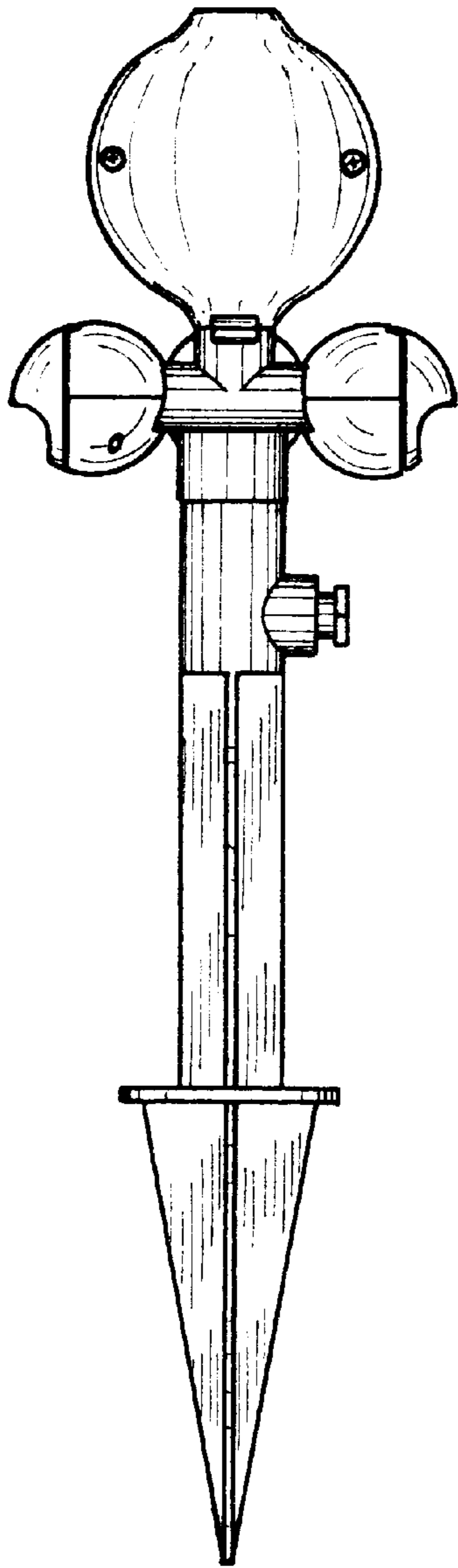


FIG. 4

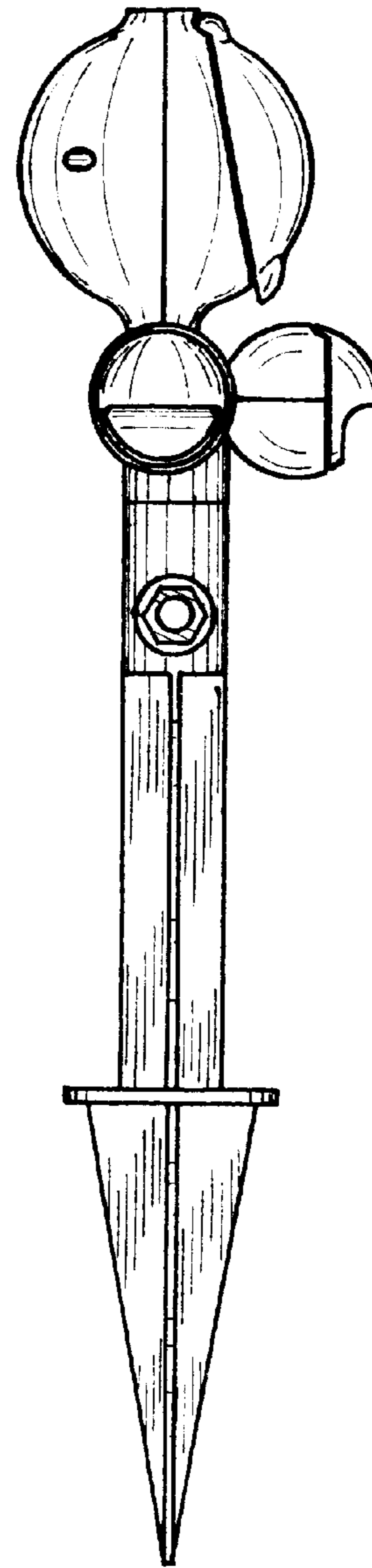


FIG. 5

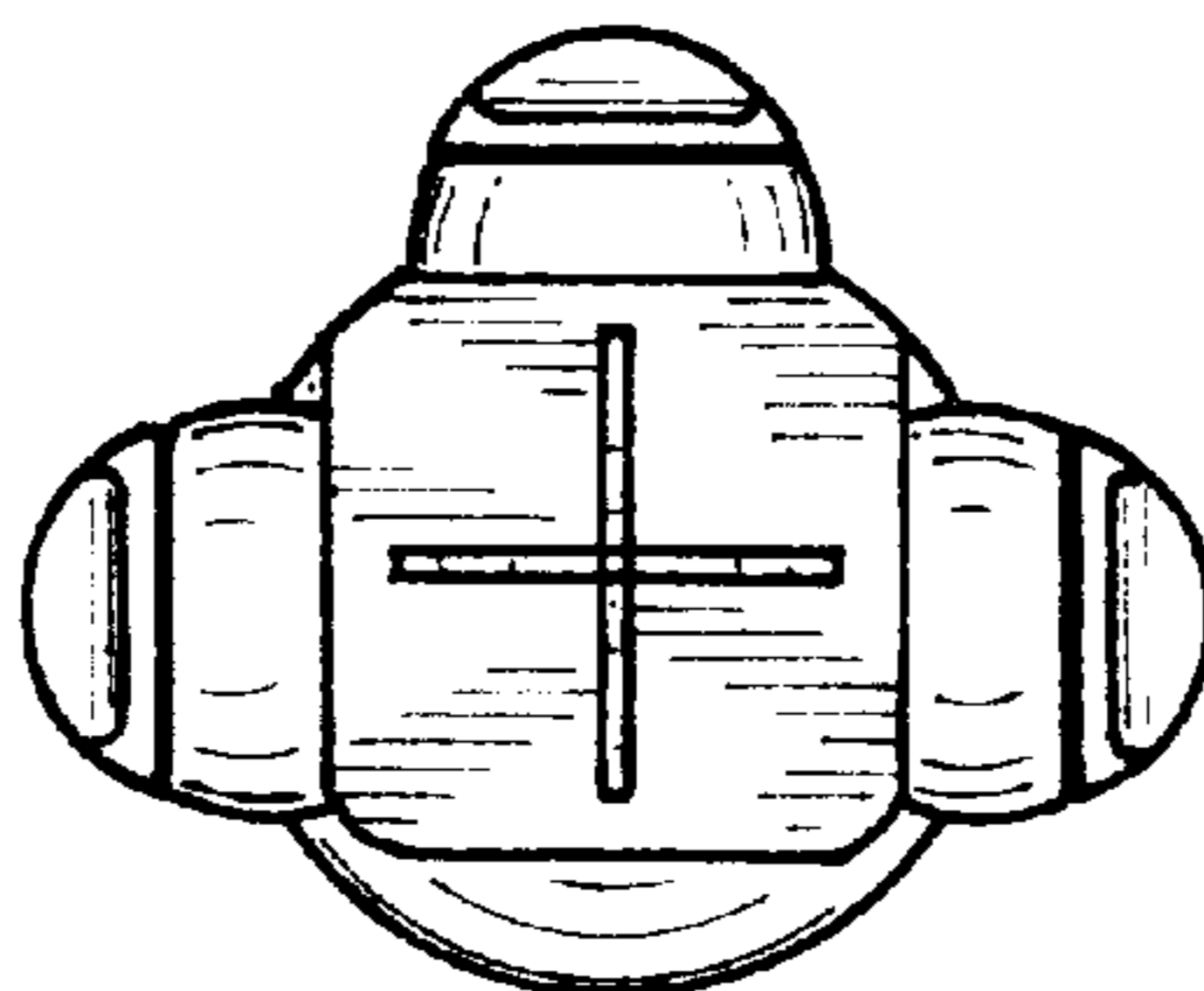


FIG. 6