



US00D516028S

(12) **United States Design Patent**  
**Deng**

(10) **Patent No.:** **US D516,028 S**

(45) **Date of Patent:** **\*\* Feb. 28, 2006**

(54) **MAGNETIC PLUG**

(76) **Inventor:** **Jin-Yuan Deng**, 58, Ma Yuan West St.,  
Taichung (TW)

(\*\*) **Term:** **14 Years**

(21) **Appl. No.:** **29/194,154**

(22) **Filed:** **Nov. 17, 2003**

(51) **LOC (8) Cl.** ..... **13-03**

(52) **U.S. Cl.** ..... **D13/133**

(58) **Field of Classification Search** ..... D13/133,  
D13/146, 147, 153-154, 184, 199; 439/38,  
439/353, 357-358, 362, 372, 558, 606-610,  
439/731

See application file for complete search history.

(56) **References Cited**

**U.S. PATENT DOCUMENTS**

D317,149 S	*	5/1991	Phelps et al.	.....	D13/147
D427,568 S	*	7/2000	Ko et al.	.....	D13/147
D442,555 S	*	5/2001	Milan	.....	D13/154
D460,050 S	*	7/2002	Haines et al.	.....	D13/147
D462,325 S	*	9/2002	Nakatomi	.....	D13/147
6,565,363 B2	*	5/2003	Downing	.....	439/39
6,607,391 B2	*	8/2003	Mendelson et al.	.....	439/39
2001/0031565 A1	*	10/2001	Sakiyama	.....	439/38

2003/0045134 A1 \* 3/2003 Downing ..... 439/38  
2003/0073337 A1 \* 4/2003 Guo ..... 439/362

\* cited by examiner

*Primary Examiner*—Stella Reid

*Assistant Examiner*—Daniel Bui

(74) *Attorney, Agent, or Firm*—Alan D. Kamrath; Nikolai  
& Mersereau, P.A.

(57) **CLAIM**

The ornamental design for a magnetic plug, as shown and  
described.

**DESCRIPTION**

FIG. 1 is a perspective view of a magnetic plug showing my  
design;

FIG. 2 is a front elevational view thereof;

FIG. 3 is a rear elevational view thereof;

FIG. 4 is a left side elevational view thereof;

FIG. 5 is a right side elevational view thereof;

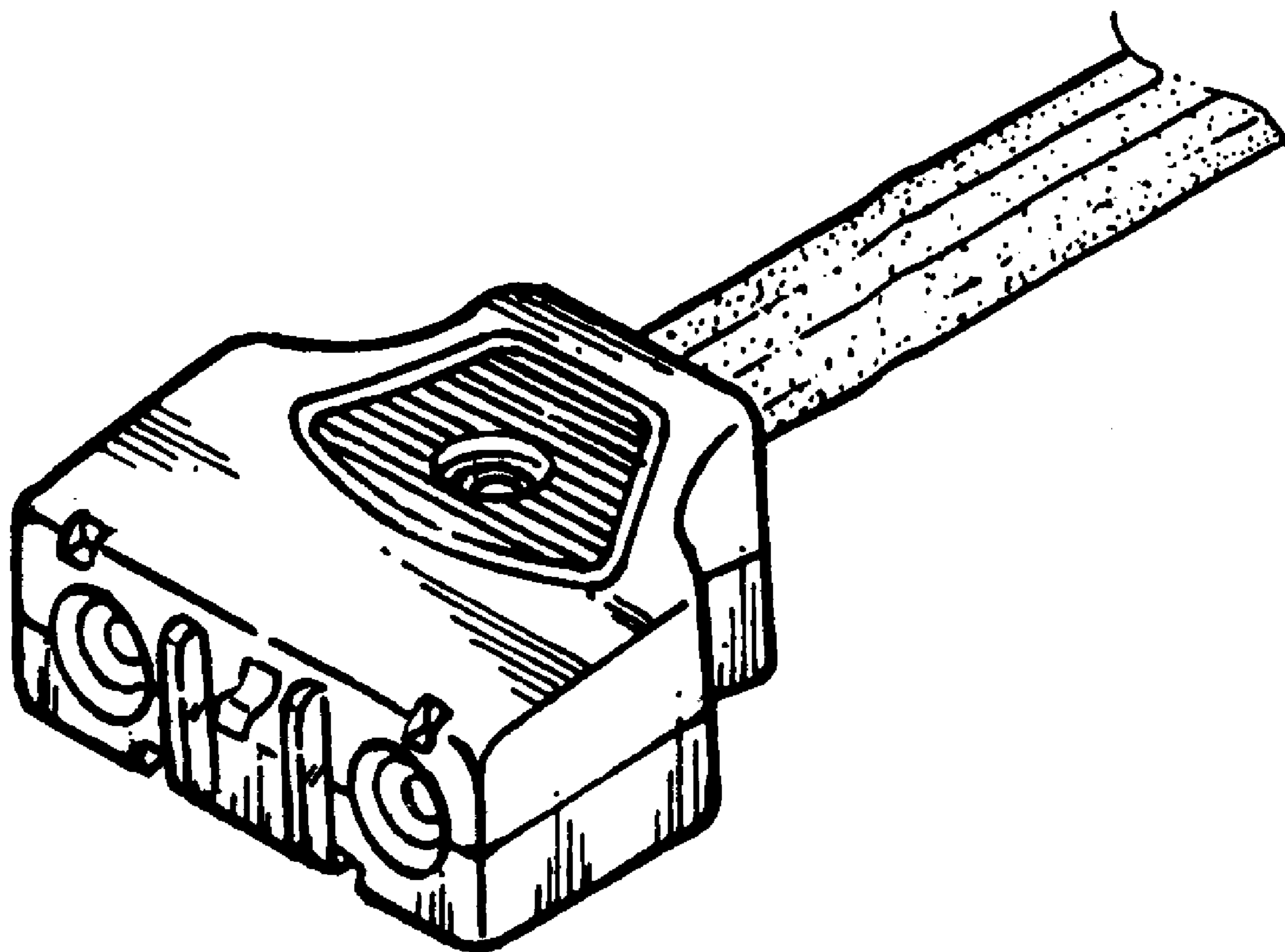
FIG. 6 is a top plan view thereof;

FIG. 7 is a bottom plan view thereof; and,

FIG. 8 is an exploded perspective view thereof, showing the  
magnetic plug in use condition.

The broken line showing of the environment is for illustra-  
tive purposes only and forms no part of the claimed design.

**1 Claim, 4 Drawing Sheets**



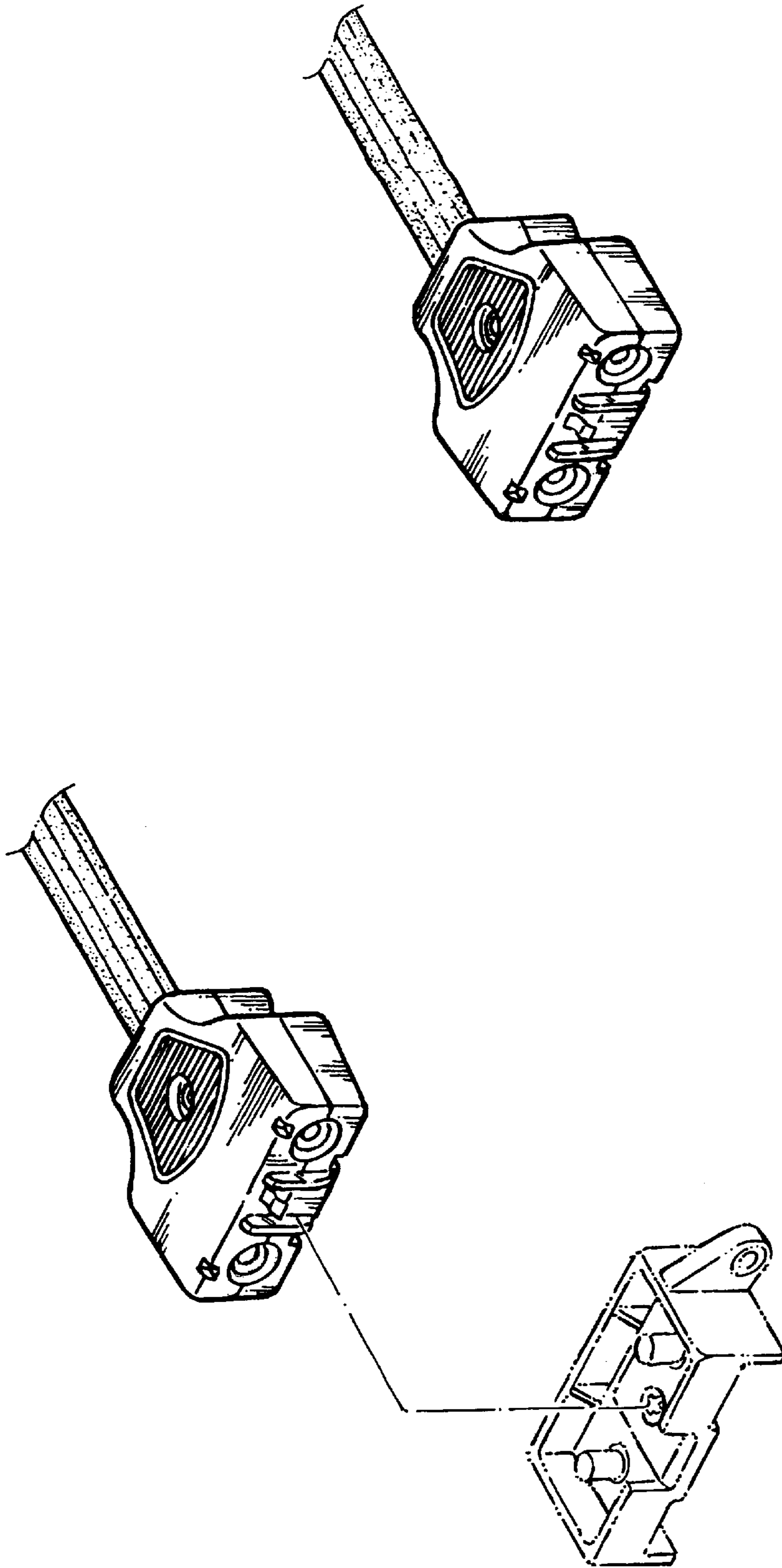


FIG. 1

FIG. 8

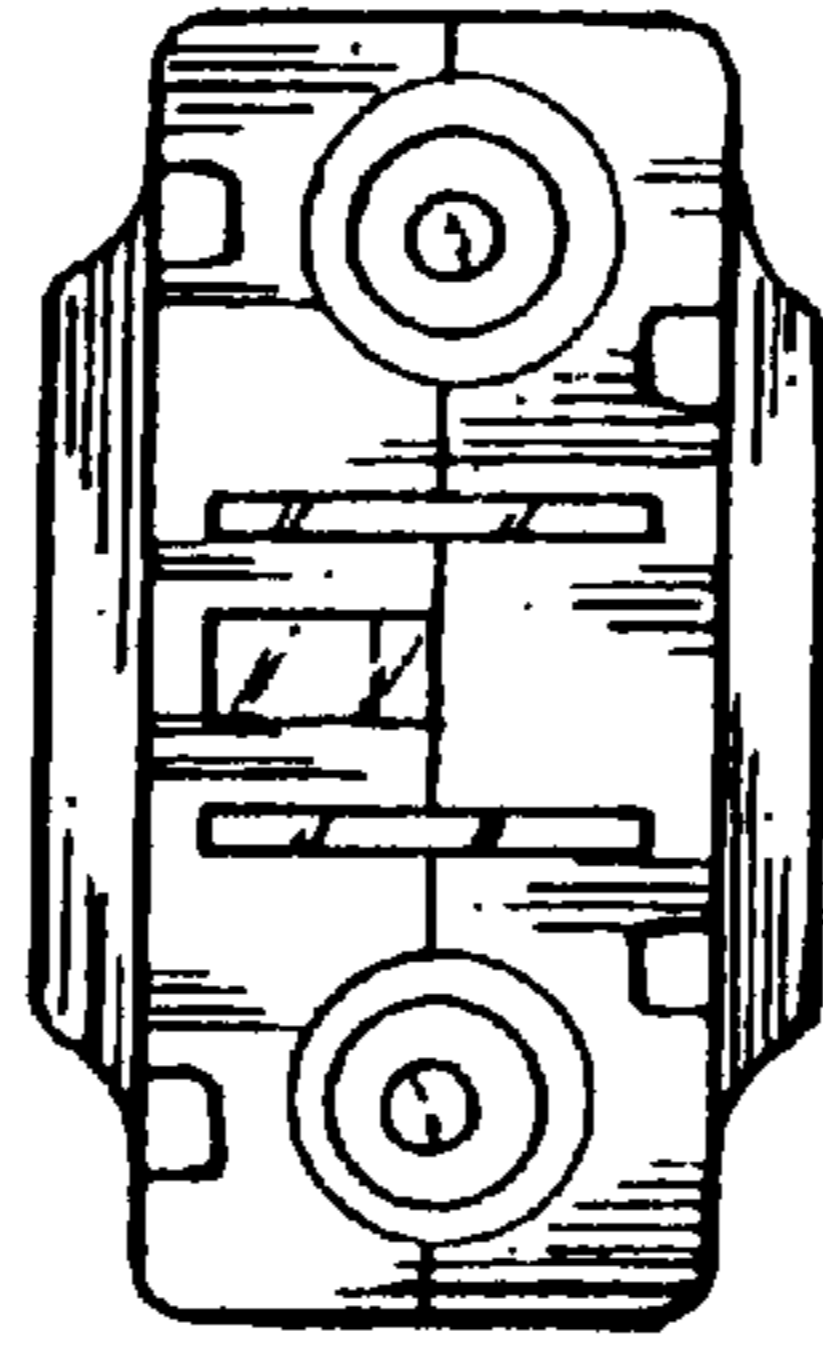


FIG. 2

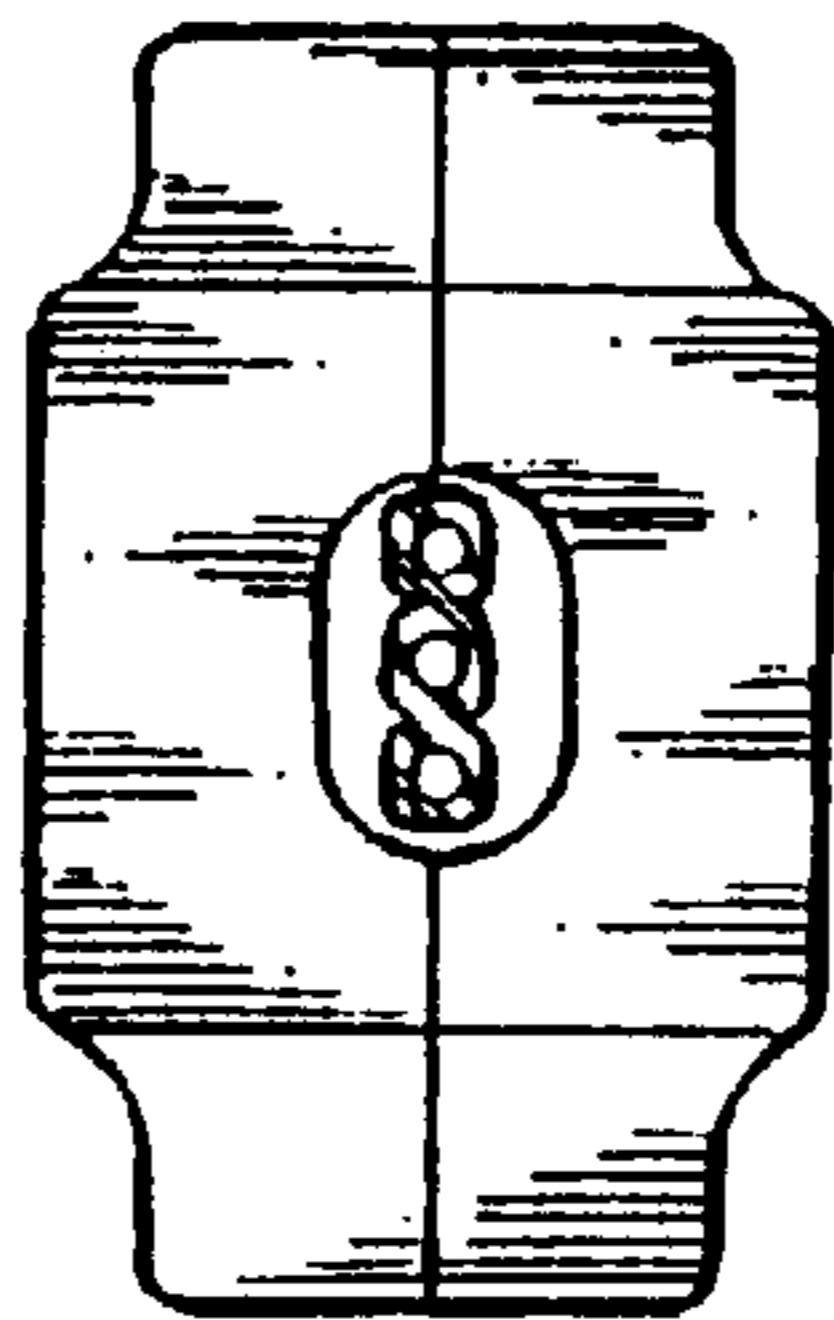


FIG. 3

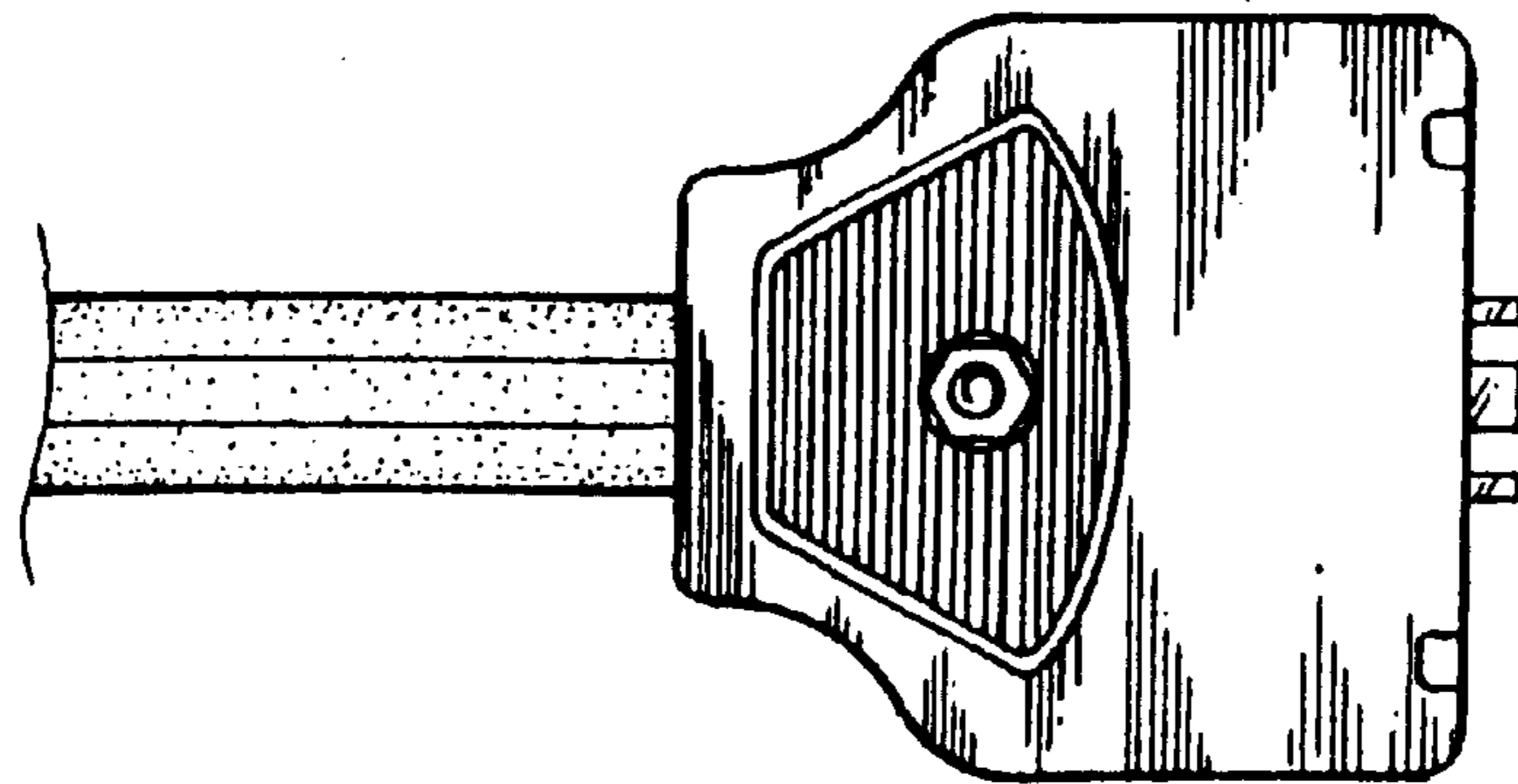


FIG. 4

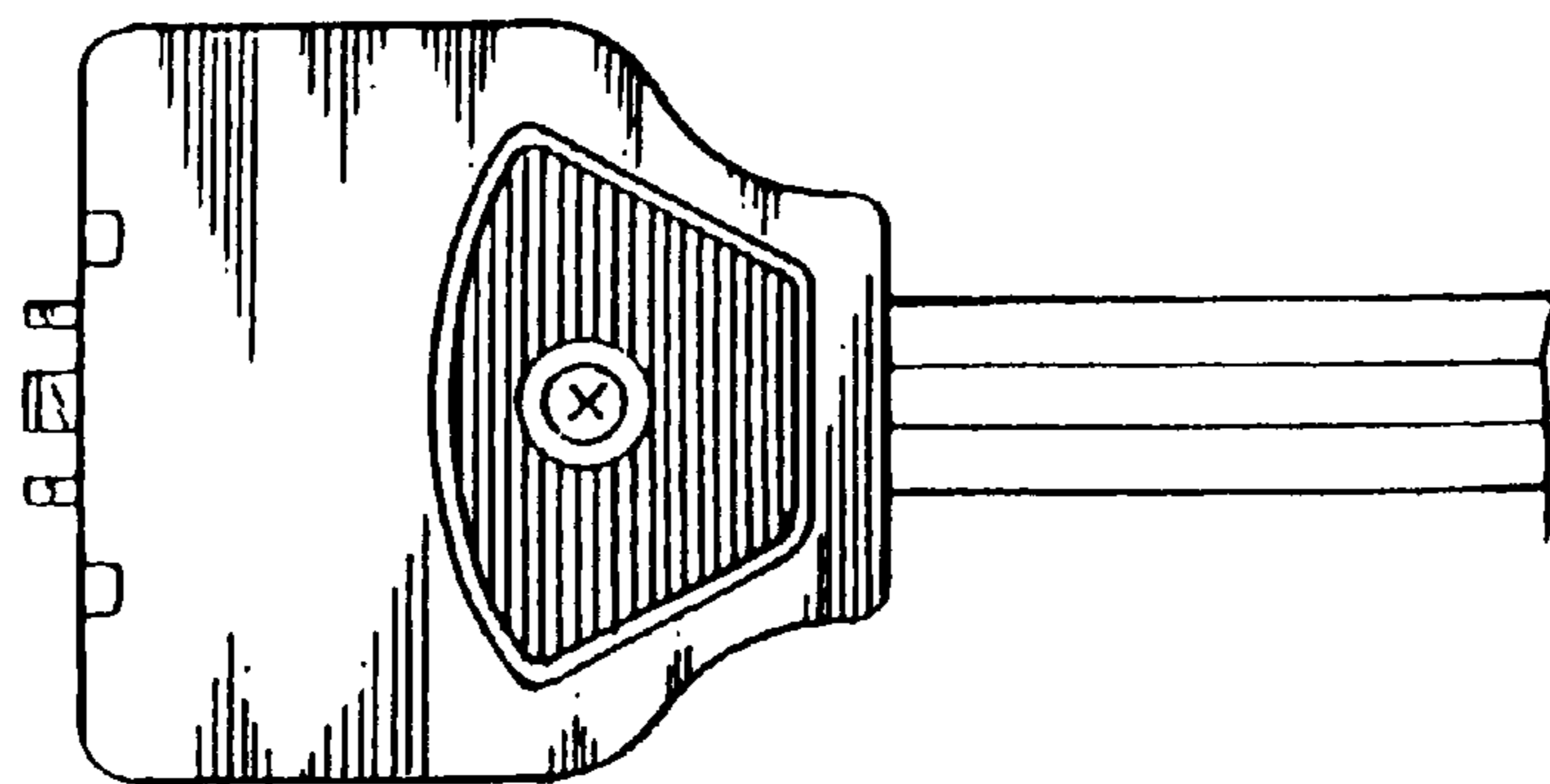


FIG. 5

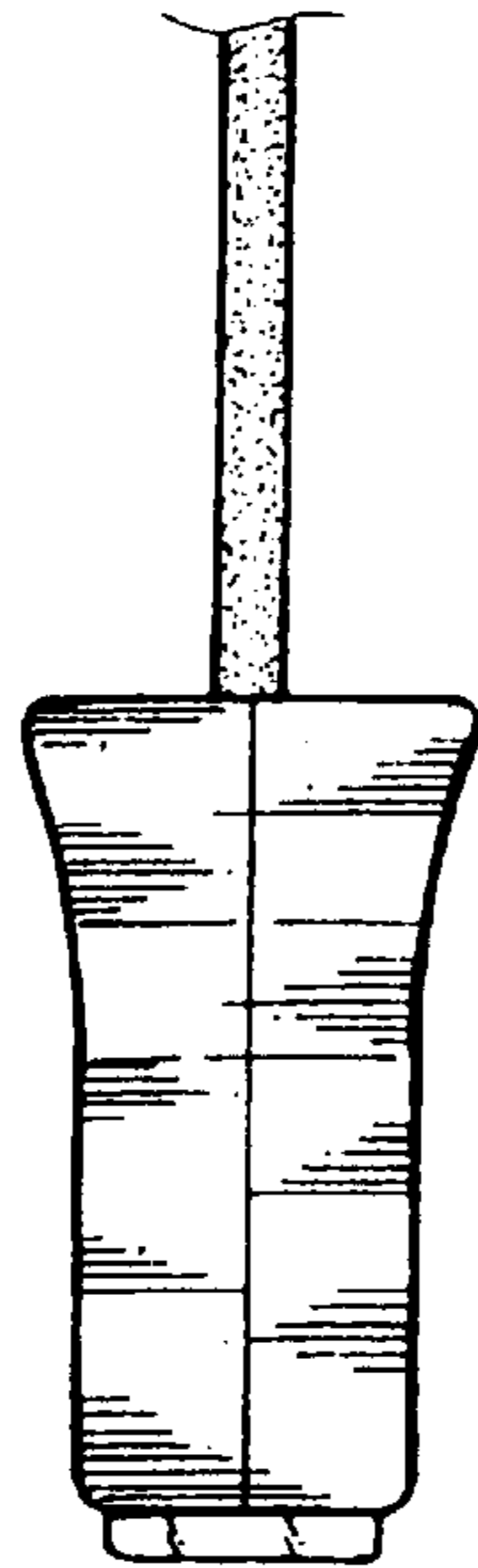


FIG. 6

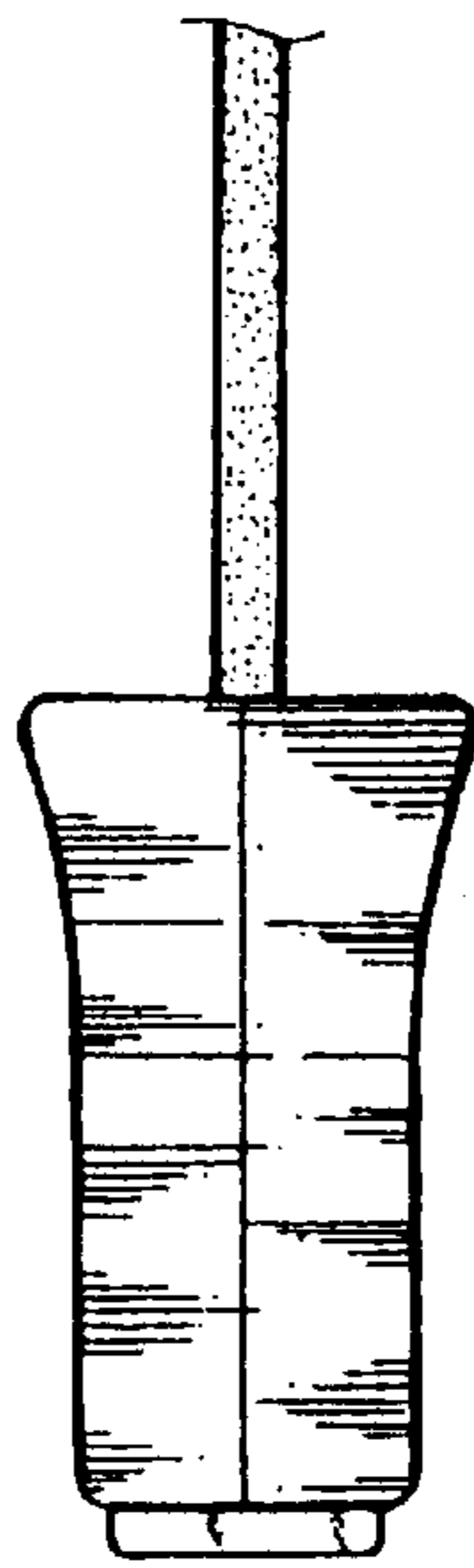


FIG. 7