



US00D516027S

(12) **United States Design Patent**
Suckle et al.

(10) **Patent No.: US D516,027 S**

(45) **Date of Patent: ** *Feb. 28, 2006**

(54) **LINE CONDITIONER**

(76) Inventors: **Mitchell Suckle**, 532 Roswell Ave.,
Long Beach, CA (US) 90814; **David**
Goetz, 676 South Ave. 21, Ste. 400,
Los Angeles, CA (US) 90031; **Ernesto**
Quinteros, 1527 Westerly Ter., Los
Angeles, CA (US) 90626

D392,615 S * 3/1998 Basile D13/123
D405,092 S * 2/1999 Ohshima et al. D14/239
D451,883 S * 12/2001 Reynolds D13/110
D452,475 S * 12/2001 Reynolds D13/110
D458,218 S * 6/2002 Reynolds D13/110
D462,658 S * 9/2002 Reynolds D13/110
D464,617 S * 10/2002 Reynolds D13/110

* cited by examiner

(*) Notice: This patent is subject to a terminal dis-
claimer.

Primary Examiner—Stella Reid
Assistant Examiner—Daniel Bui

(**) Term: **14 Years**

(74) *Attorney, Agent, or Firm*—Bryan Cave LLP

(21) Appl. No.: **29/196,968**

(22) Filed: **Jan. 7, 2004**

(57) **CLAIM**

We claim the ornamental design for a line conditioner, as
shown and described.

(51) **LOC (8) Cl.** **13-02**

(52) **U.S. Cl.** **D13/110**

(58) **Field of Classification Search** D13/101,
D13/110, 112, 118, 162, 164, 184, 199; 307/72,
307/85–87, 150–151; 361/643, 728
See application file for complete search history.

DESCRIPTION

FIG. 1 is a top view of a line conditioner;
FIG. 2 is a bottom view thereof;
FIG. 3 is a front elevational view thereof;
FIG. 4 is a rear elevational view thereof;
FIG. 5 is a right side elevational view thereof;
FIG. 6 is a left side elevational view thereof;
FIG. 7 is a rear, right, top isometric view thereof; and,
FIG. 8 is a front, left, bottom isometric view thereof.
The broken lines in the drawings are for illustrative purposes
only and form no part of the claimed design.

(56) **References Cited**

U.S. PATENT DOCUMENTS

D356,297 S * 3/1995 Carl et al. D13/160
D366,248 S * 1/1996 Owens D13/184
5,589,718 A * 12/1996 Lee 307/72
5,649,839 A * 7/1997 Yu 439/650

1 Claim, 3 Drawing Sheets

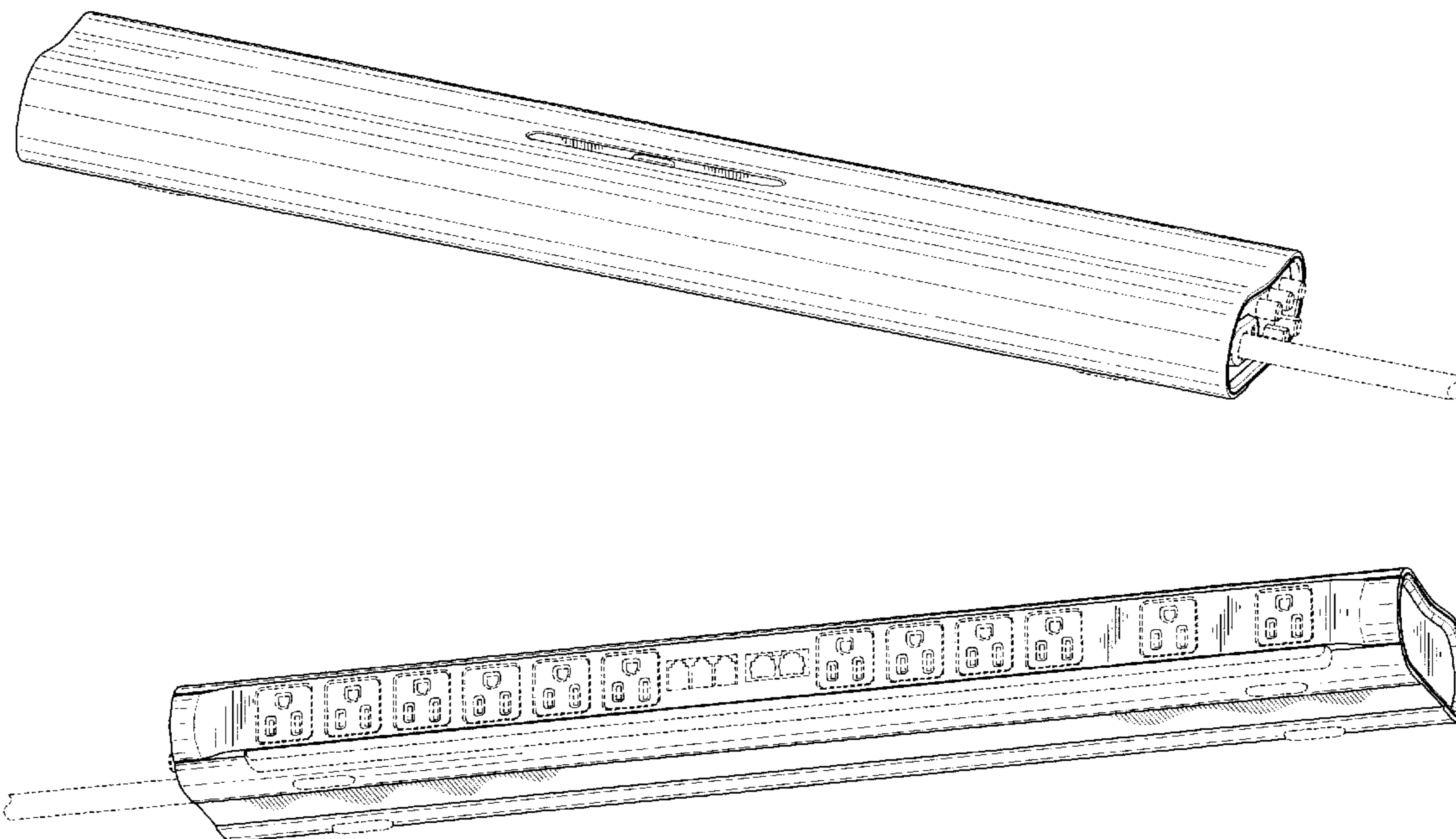


FIG.1

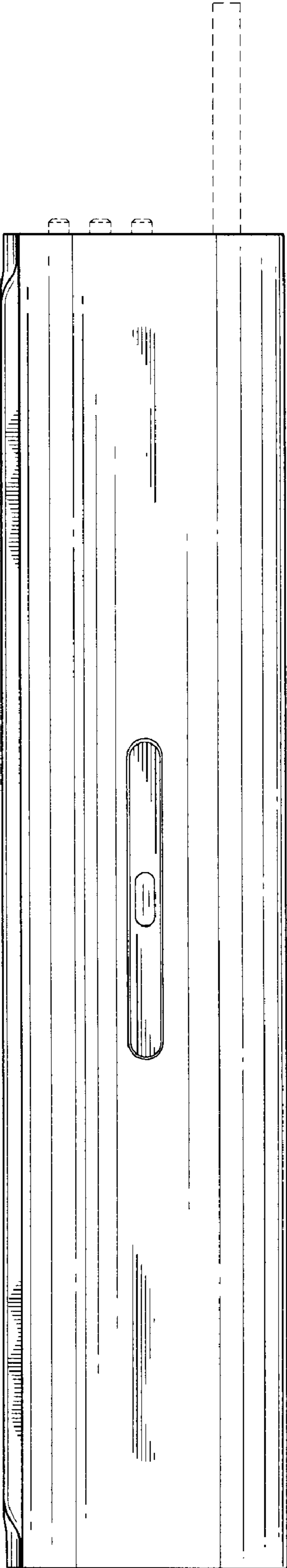
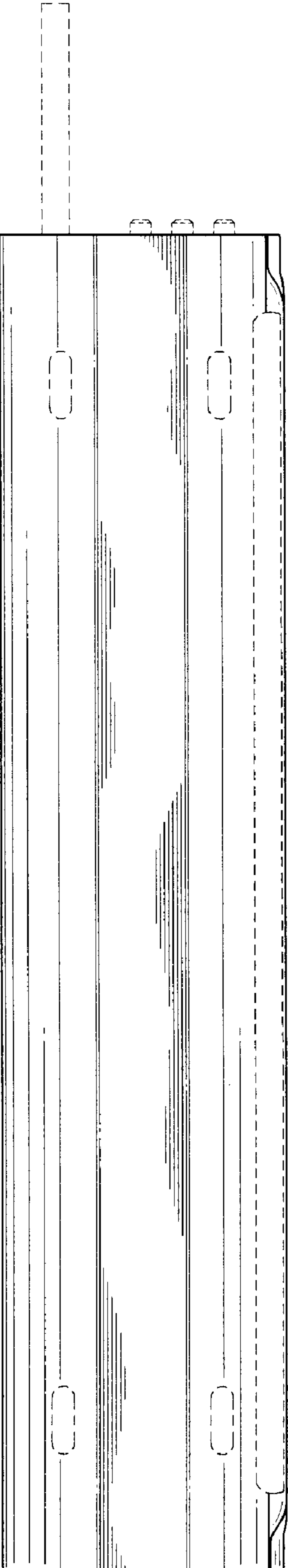


FIG.2



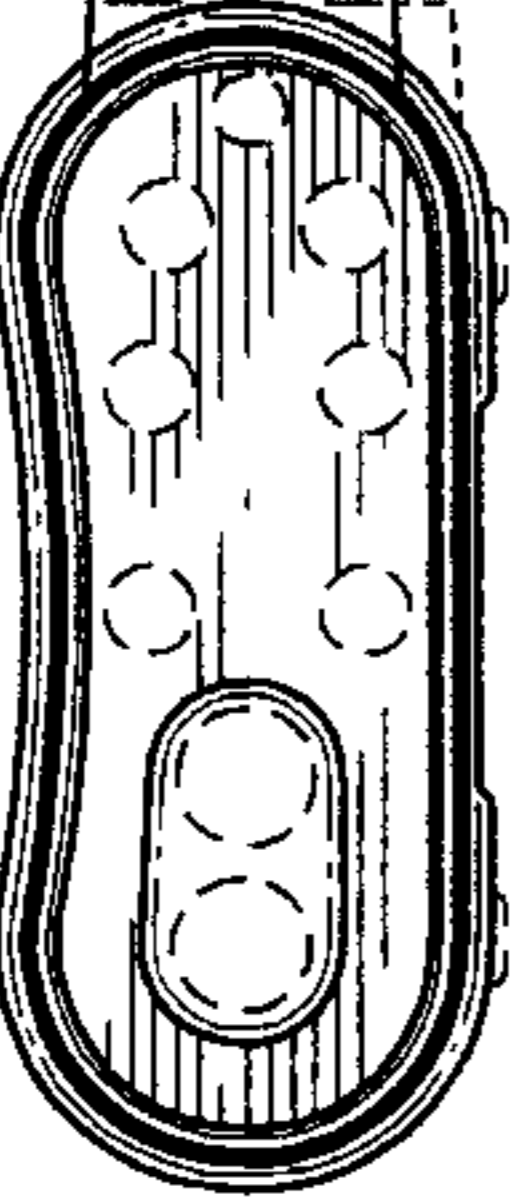


FIG.4



FIG.3

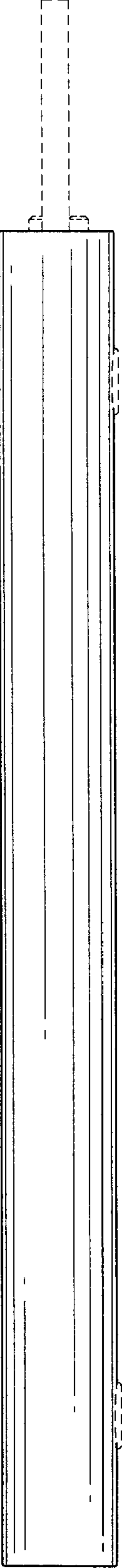


FIG.5

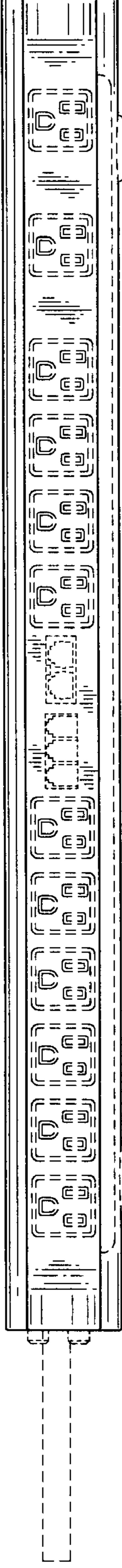


FIG.6

