



US00D516026S

(12) **United States Design Patent** (10) **Patent No.:** **US D516,026 S**
Barrett et al. (45) **Date of Patent:** **** Feb. 28, 2006**

(54) **CHARGING CRADLE FOR A VITAL SIGNS MONITOR**

(75) Inventors: **Michael R. Barrett**, Scappoose, OR (US); **Christopher Lorenzo Dunn**, Lake Oswego, OR (US); **Grant S. Gibson**, Portland, OR (US); **Omer Kotzer**, Portland, OR (US); **Robert T. Lewis**, Beaverton, OR (US); **Braxton L. Lathrop**, Lake Oswego, OR (US); **Carl E. Behrend**, Portland, OR (US)

(73) Assignee: **Welch Allyn, Inc.**, Skaneateles Falls, NY (US)

(**) Term: **14 Years**

(21) Appl. No.: **29/221,303**

(22) Filed: **Jan. 13, 2005**

(51) **LOC (8) Cl.** **13-02**

(52) **U.S. Cl.** **D13/108; D24/186**

(58) **Field of Classification Search** D13/107-110, D13/118-119, 184; D14/251, 253, 432, 434; 320/107-115; D24/107, 127-128, 185-186, D24/232; 600/393, 345, 484, 513, 519, 528, 600/532, 536, 538, 549

See application file for complete search history.

(56) **References Cited**

U.S. PATENT DOCUMENTS

D240,463 S	*	7/1976	Jordan	D24/107
D255,029 S	*	5/1980	Brownlie	D13/108
D327,868 S	*	7/1992	Oka	D13/110
D329,968 S	*	10/1992	Wiesler	D3/315
D334,626 S	*	4/1993	Bacher et al.	D24/229

D344,708 S	*	3/1994	Ho	D13/108
D350,528 S	*	9/1994	Bent et al.	D13/108
D376,585 S	*	12/1996	Wathen et al.	D14/434
D419,290 S	*	1/2000	Treyer et al.	D3/218
D460,559 S	*	7/2002	Knieriem et al.	D24/186
D466,516 S	*	12/2002	Peiker	D14/447
D474,737 S	*	5/2003	Yoshida	D13/108
D477,604 S	*	7/2003	Lin	D14/434
D486,492 S	*	2/2004	Sheu et al.	D14/434
D487,897 S	*	3/2004	Huang et al.	D14/434
D491,270 S	*	6/2004	Barker	D24/186
D508,459 S	*	8/2005	Yoshida	D13/108

* cited by examiner

Primary Examiner—Alan P. Douglas

Assistant Examiner—Rosemary K. Tarcza

(74) *Attorney, Agent, or Firm*—Wall Marjama & Bilinski LLP

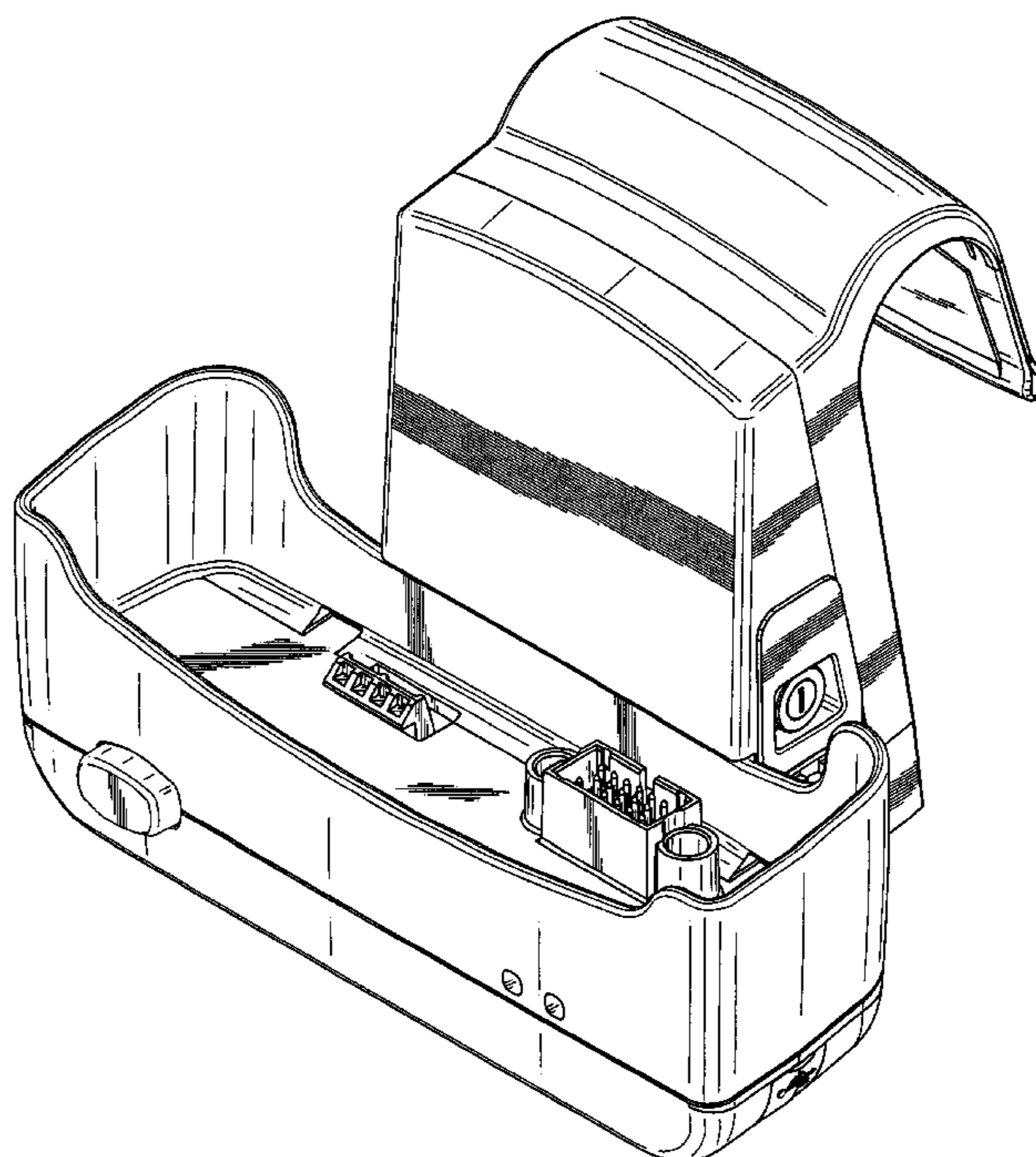
(57) **CLAIM**

The ornamental design for a charging cradle for a vital signs monitor, as shown and described.

DESCRIPTION

FIG. 1 is a front perspective view of a charging cradle for a vital signs monitor in accordance with the present invention; FIG. 2 is a front facing view of the charging cradle of FIG. 1 thereof; FIG. 3 is a right side view thereof; FIG. 4 is a left side view thereof; FIG. 5 is a top plan view thereof; FIG. 6 is a bottom view thereof; FIG. 7 is a rear facing view thereof; and, FIG. 8 is the front facing view of the charging cradle with a vital signs monitor, shown in phantom, depicted as in use.

1 Claim, 8 Drawing Sheets



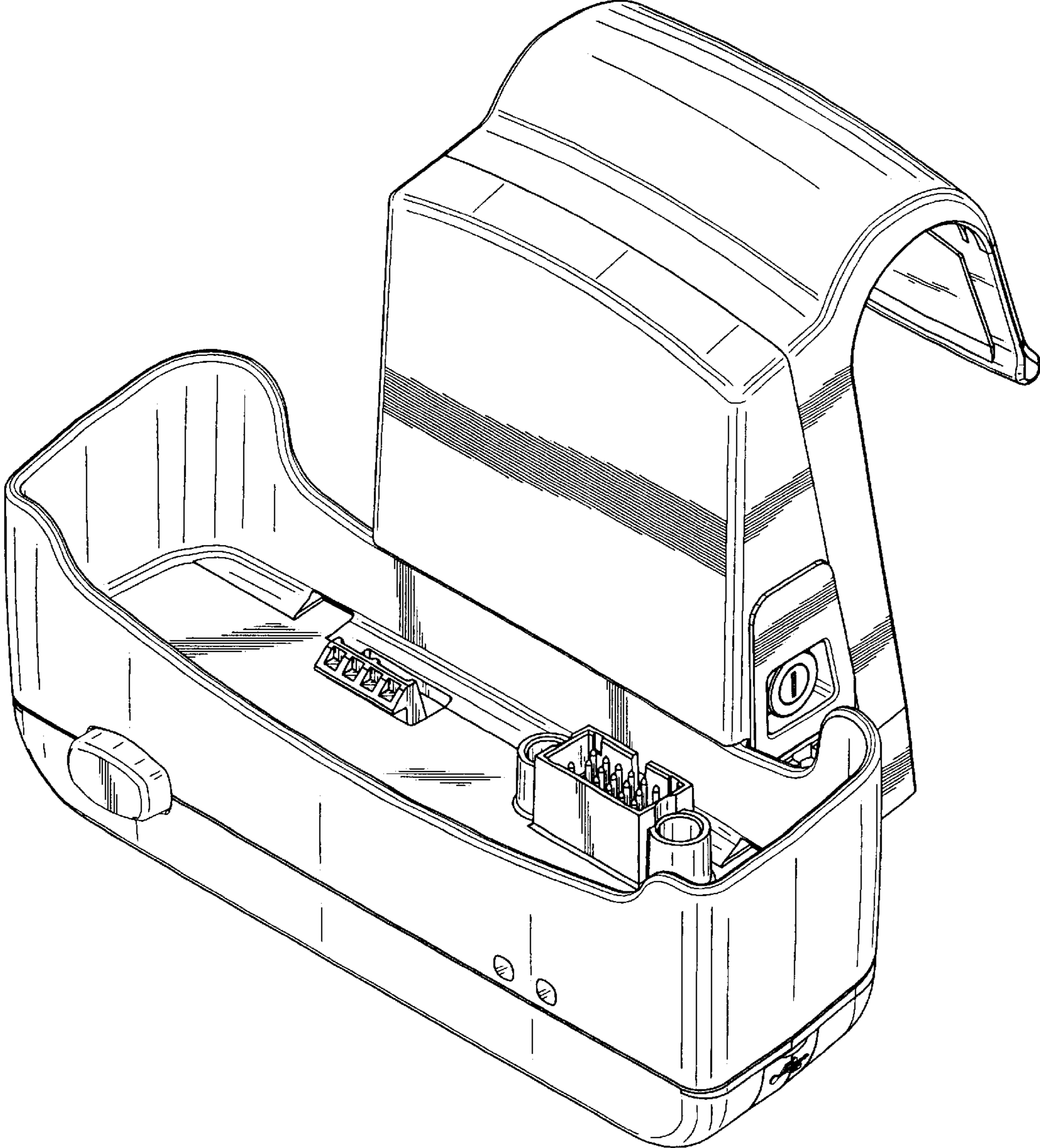


FIG. 1

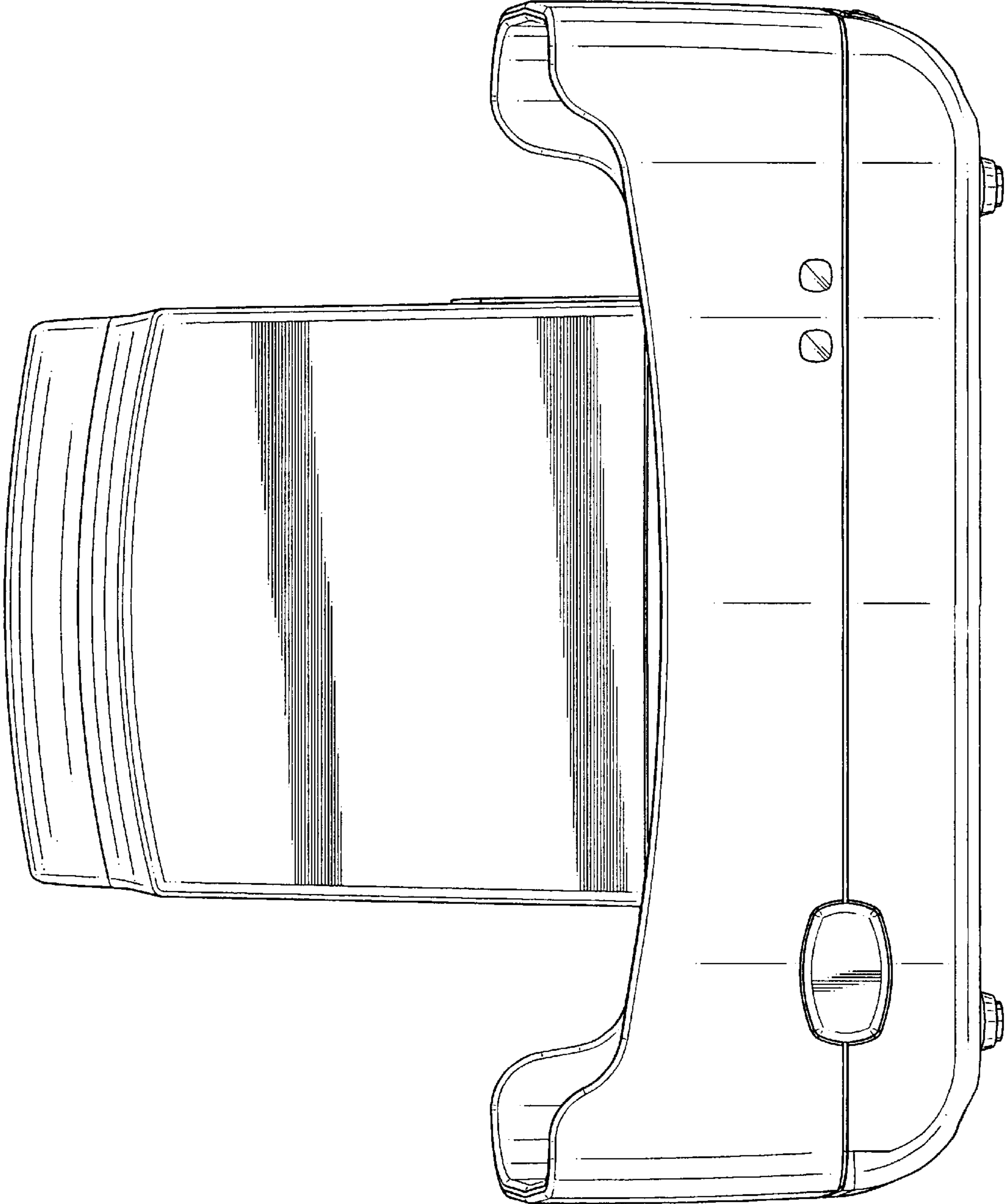


FIG. 2

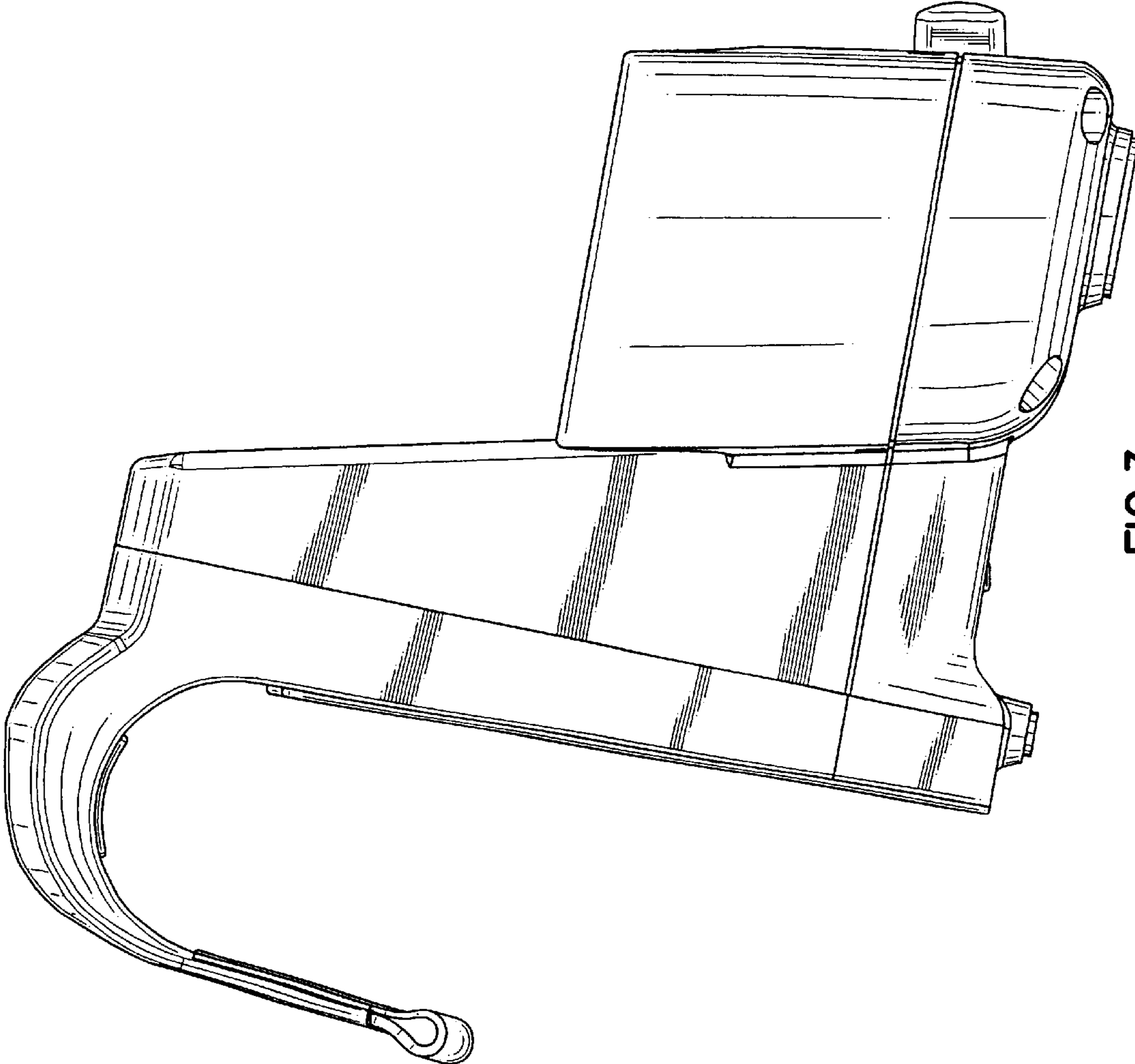


FIG. 3

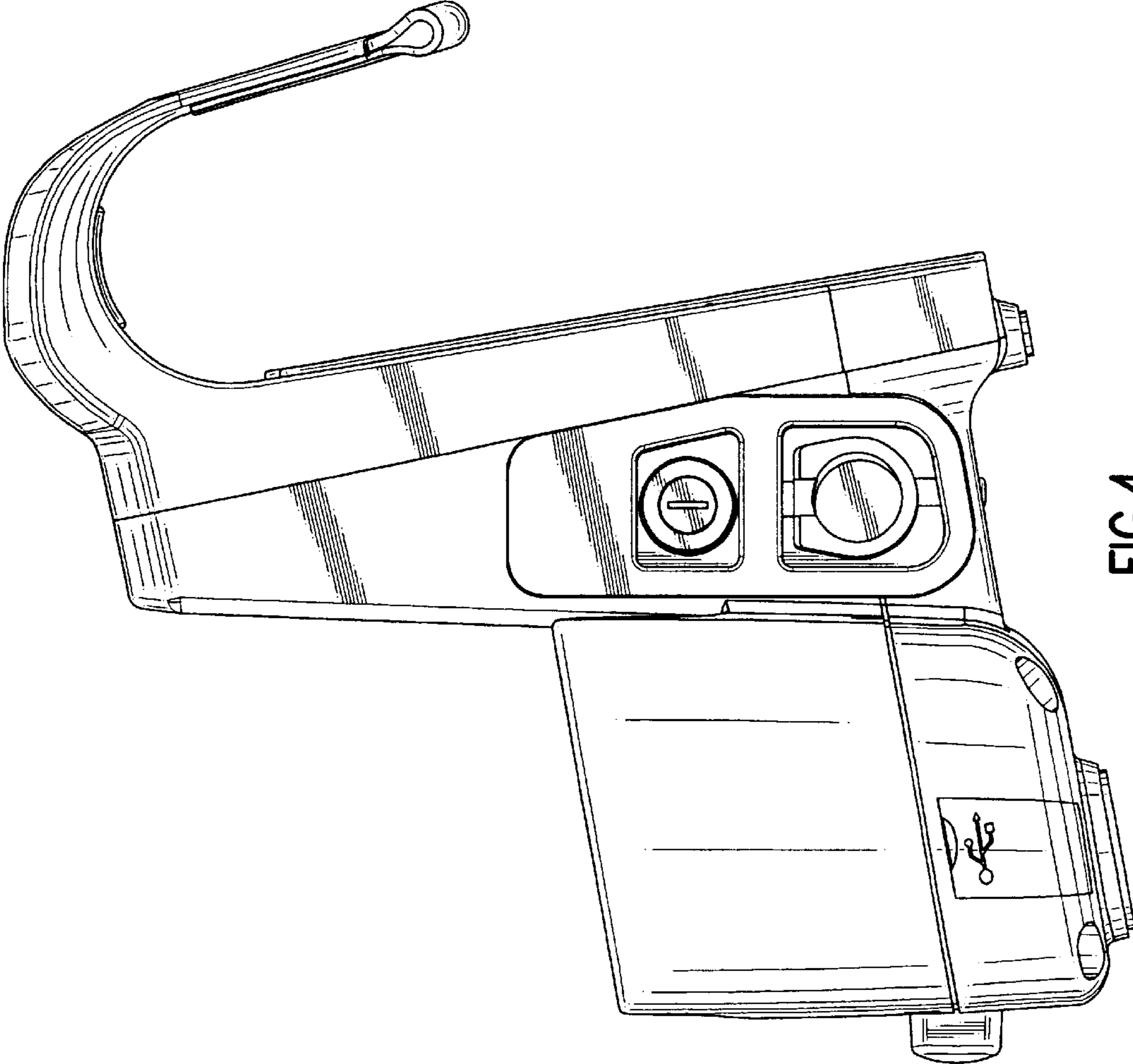


FIG.4

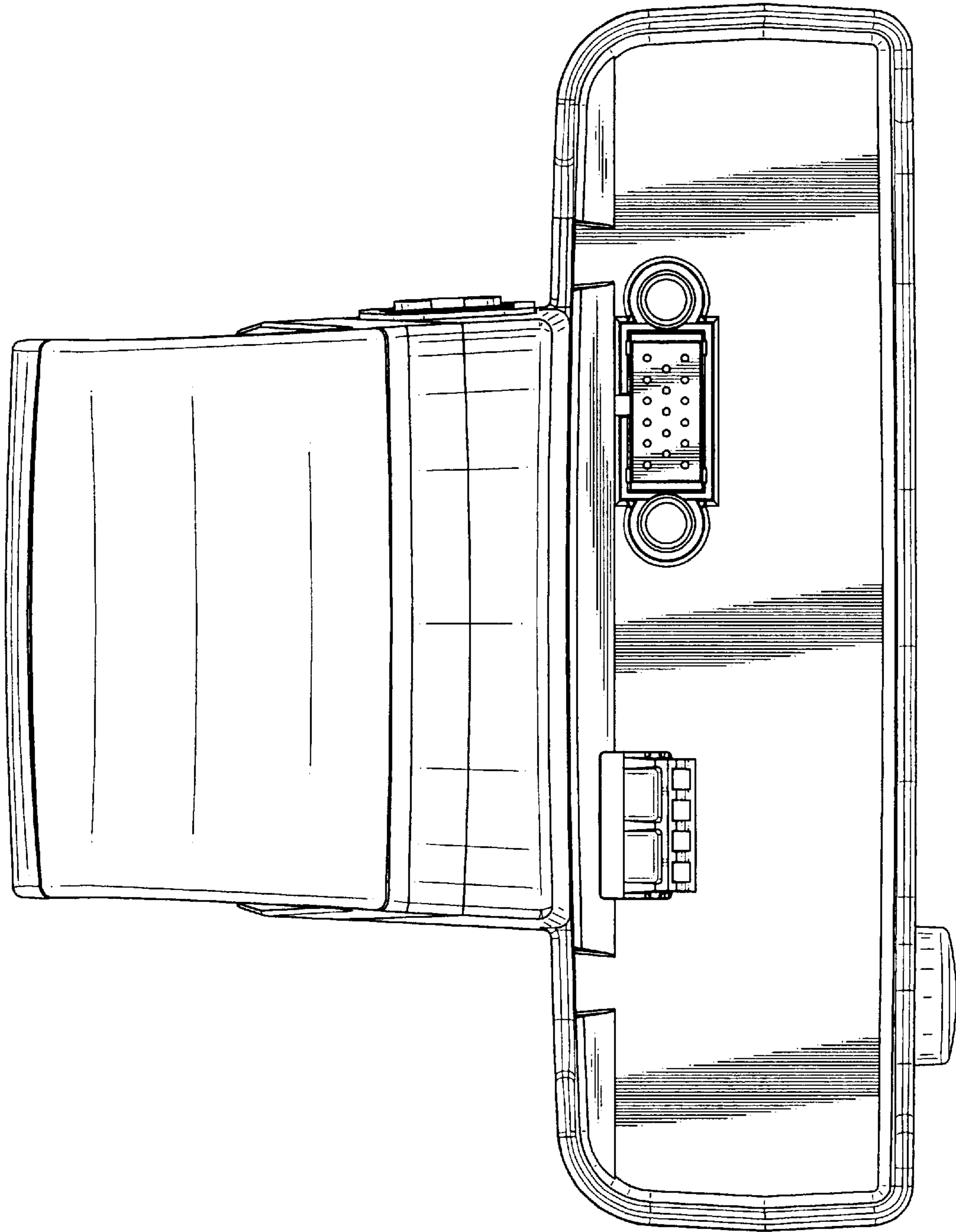


FIG. 5

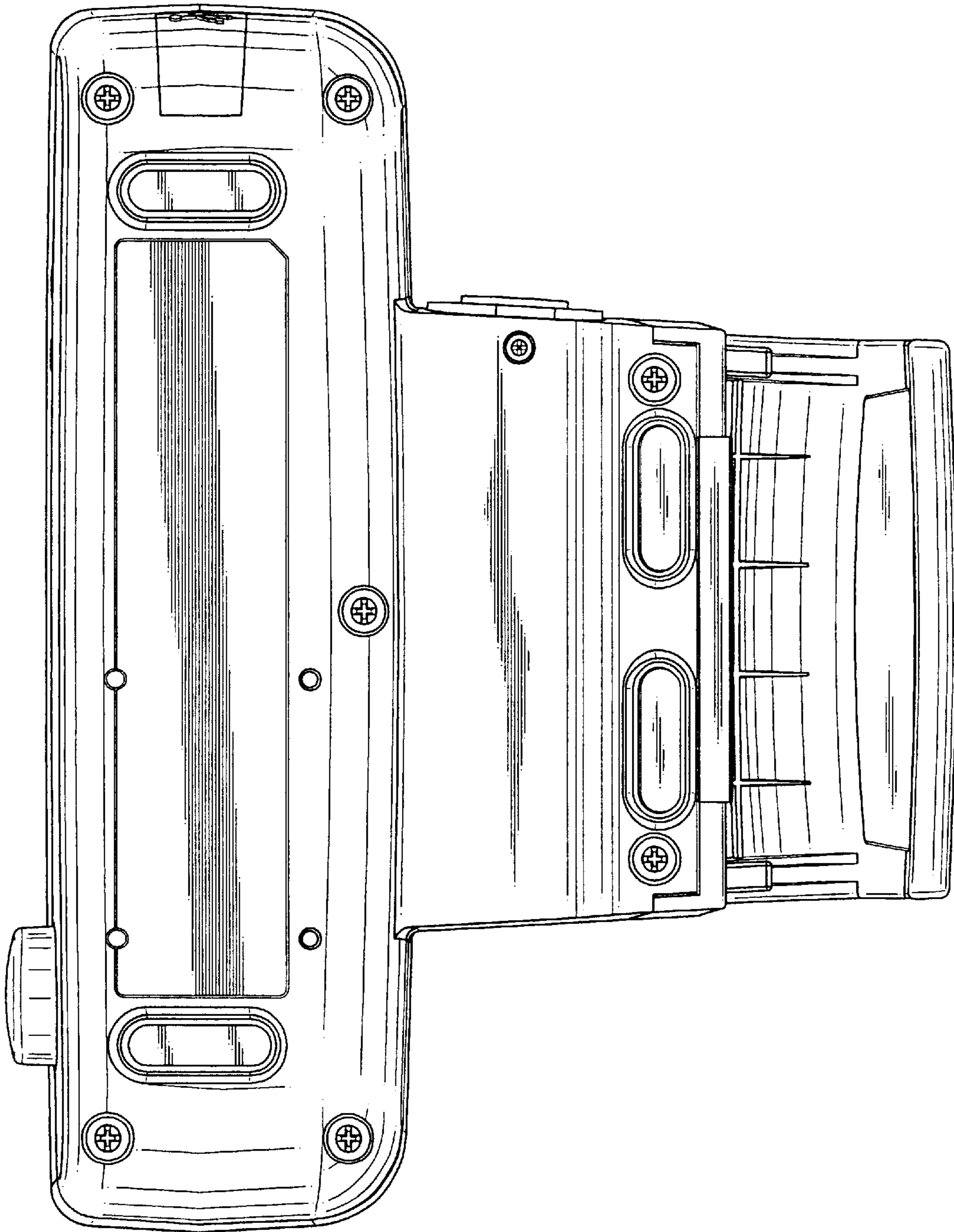


FIG. 6

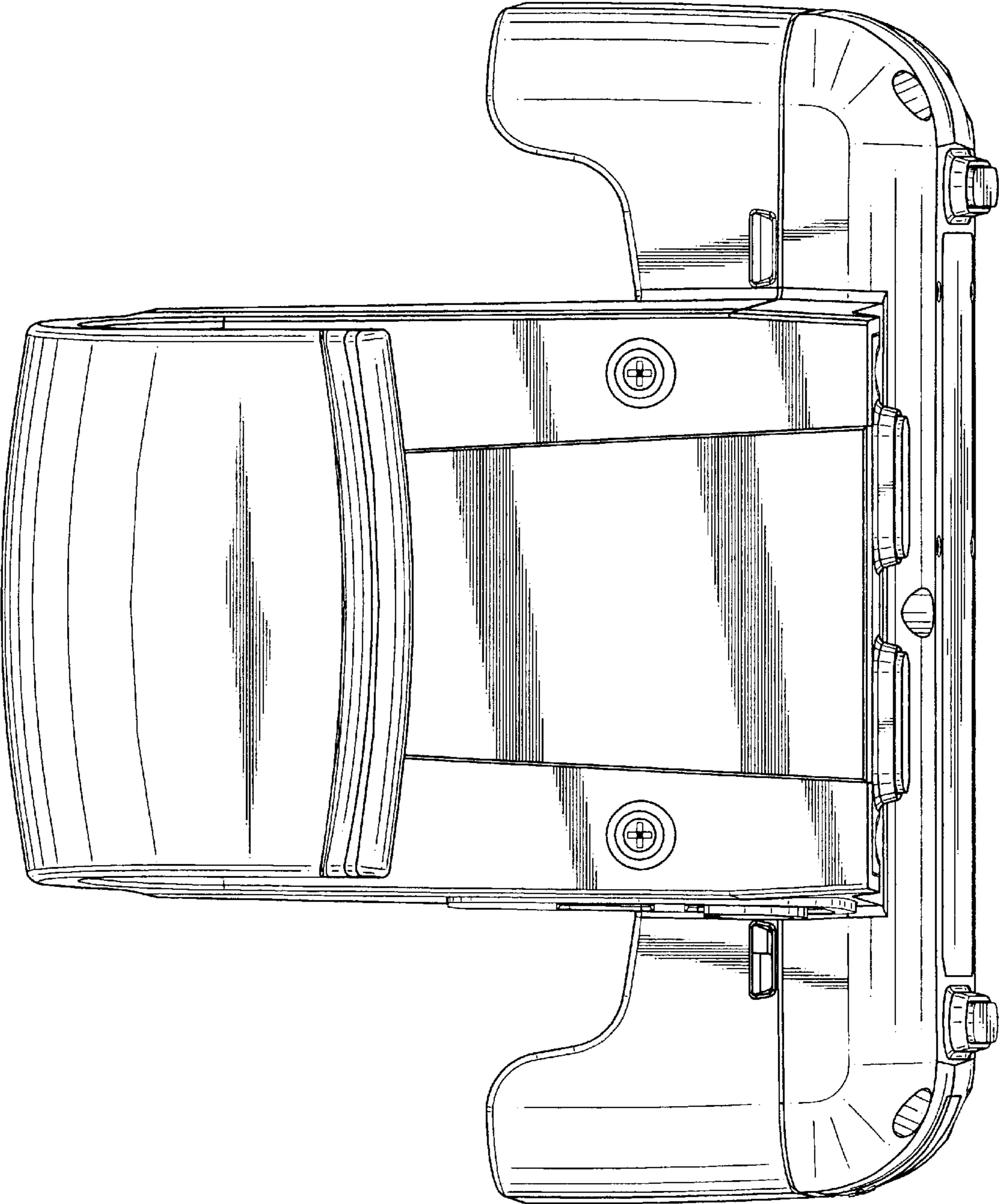


FIG. 7

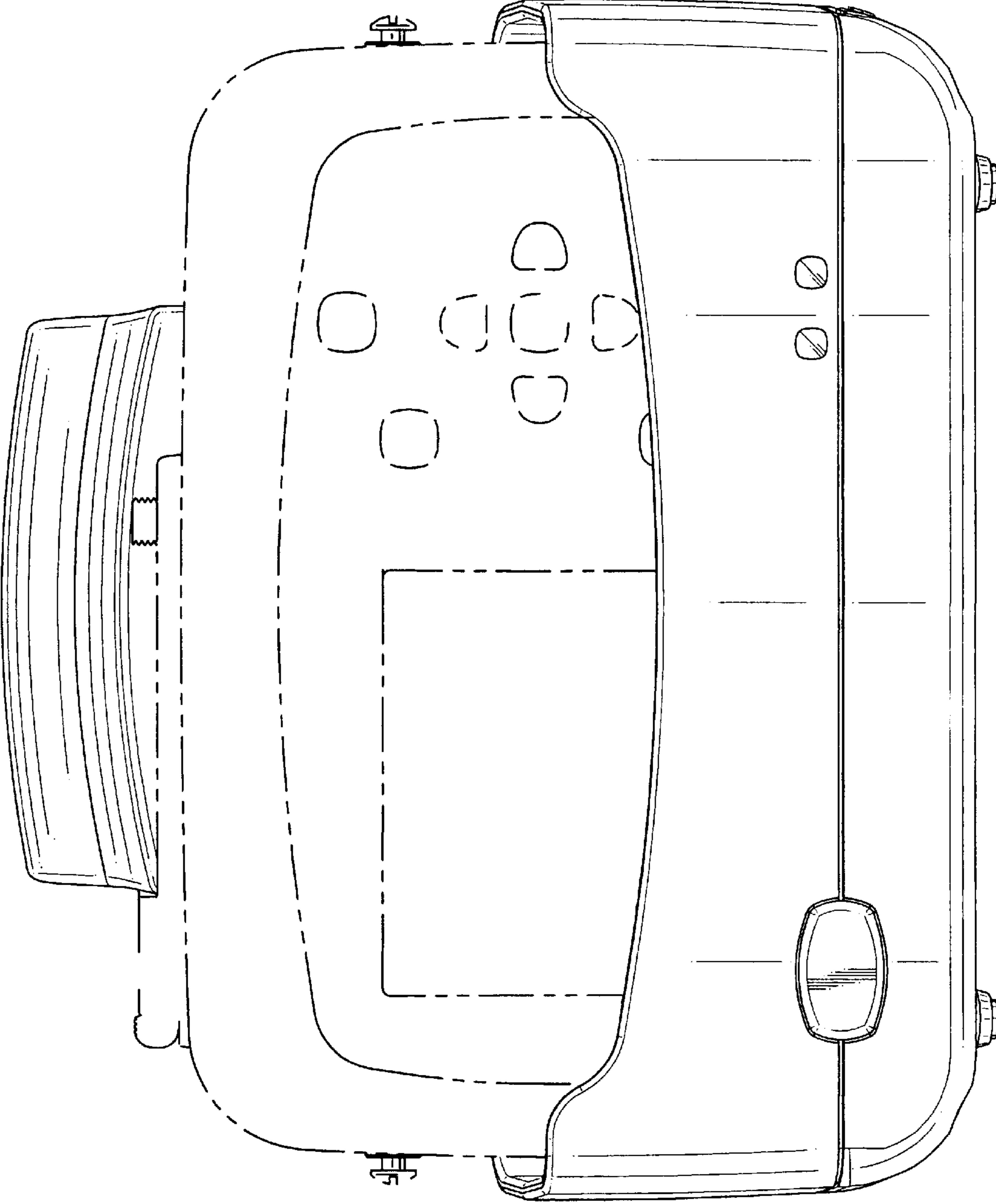


FIG. 8