



US00D516022S

(12) **United States Design Patent**  
**Winkler**

(10) **Patent No.:** **US D516,022 S**  
(45) **Date of Patent:** **\*\* Feb. 28, 2006**

(54) **CHARGER UNIT**

(75) Inventor: **Till Winkler**, Kronberg (DE)

(73) Assignee: **Braun GmbH**, Kronberg (DE)

(\*\*) Term: **14 Years**

(21) Appl. No.: **29/205,600**

(22) Filed: **May 18, 2004**

(30) **Foreign Application Priority Data**

Nov. 18, 2003 (EM) ..... 102835

(51) **LOC (8) Cl.** ..... **13-02**

(52) **U.S. Cl.** ..... **D13/108**

(58) **Field of Classification Search** ..... D13/107-108,  
D13/110, 118; D14/251, 253, 432, 447; D16/219,  
D16/237, 242; 320/107-115

See application file for complete search history.

(56) **References Cited**

**U.S. PATENT DOCUMENTS**

D193,664 S	*	9/1962	Armbruster	.....	D13/108
D196,562 S	*	10/1963	Leyden et al.	.....	D4/101
D197,208 S	*	12/1963	Cassidy et al.	.....	D4/101
D201,862 S	*	8/1965	Johnson	.....	D13/108
D205,396 S	*	8/1966	Cox	.....	D13/108
D210,732 S	*	4/1968	Anderson	.....	D13/108
D216,292 S	*	12/1969	DeVarco	.....	D13/108

D216,547 S	*	2/1970	Mango et al.	.....	D13/108
D330,188 S	*	10/1992	McCray et al.	.....	D13/108
D342,718 S	*	12/1993	Mackay	.....	D13/108
D409,563 S	*	5/1999	Haase et al.	.....	D13/107
D453,731 S	*	2/2002	Hauptli	.....	D13/108
D462,321 S	*	9/2002	Ullmann	.....	D13/108

**FOREIGN PATENT DOCUMENTS**

WO	DM/051 589	10/1999
WO	DM/055 985	5/2001

\* cited by examiner

*Primary Examiner*—Alan P. Douglas

*Assistant Examiner*—Rosemary Tarcza

(74) *Attorney, Agent, or Firm*—Fish & Richardson P.C.

(57) **CLAIM**

The ornamental design for a charger unit, as shown and described.

**DESCRIPTION**

FIG. 1 is a perspective view of a charger unit from above, showing my design;

FIG. 2 is a front view of the appliance thereof;

FIG. 3 is a right side view of the appliance thereof

FIG. 4 is a left side view of the appliance thereof;

FIG. 5 is a rear side view of the appliance thereof;

FIG. 6 is a top plan view of the appliance thereof; and,

FIG. 7 is bottom plan view of the appliance thereof.

**1 Claim, 2 Drawing Sheets**

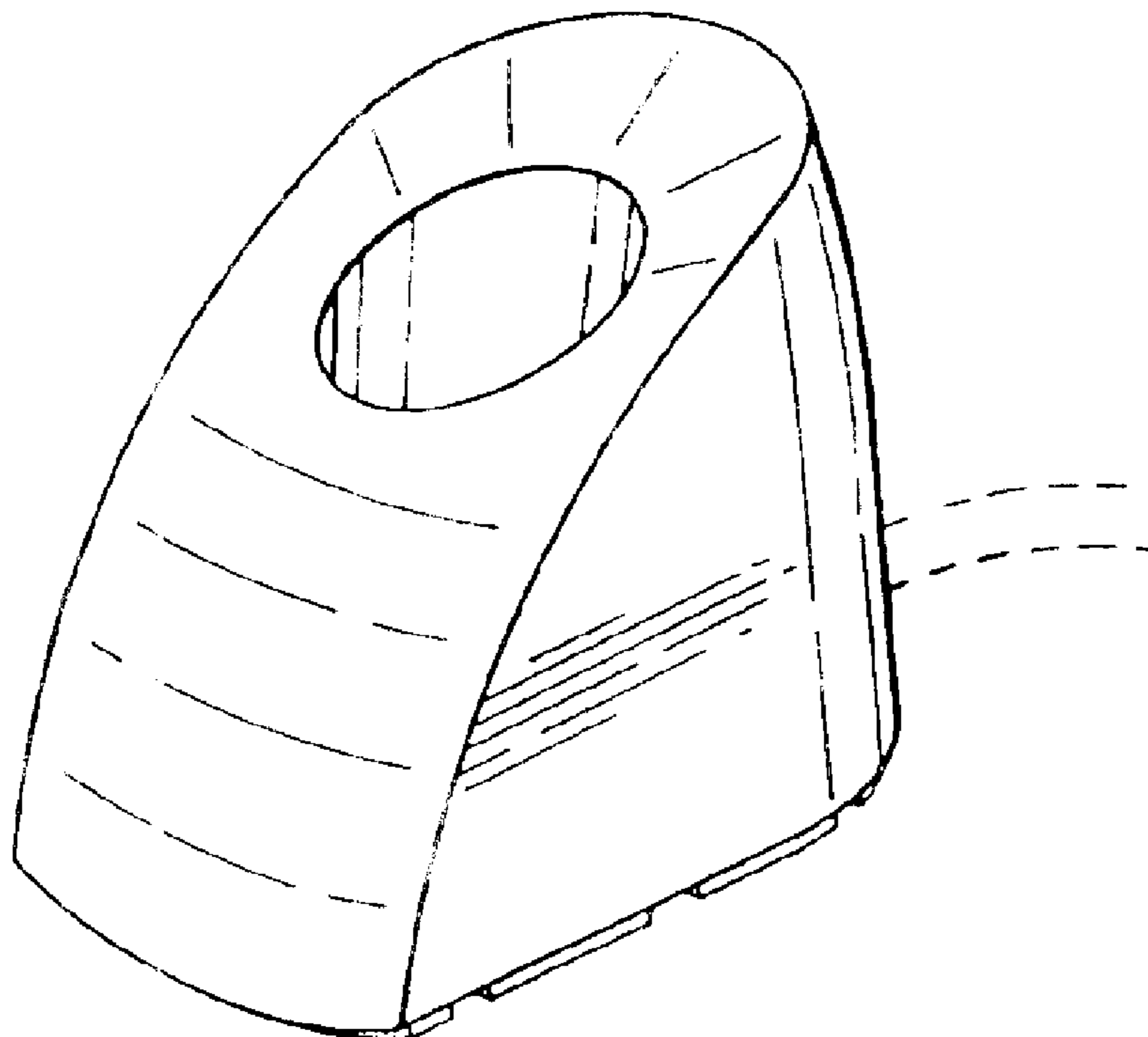


Fig. 1

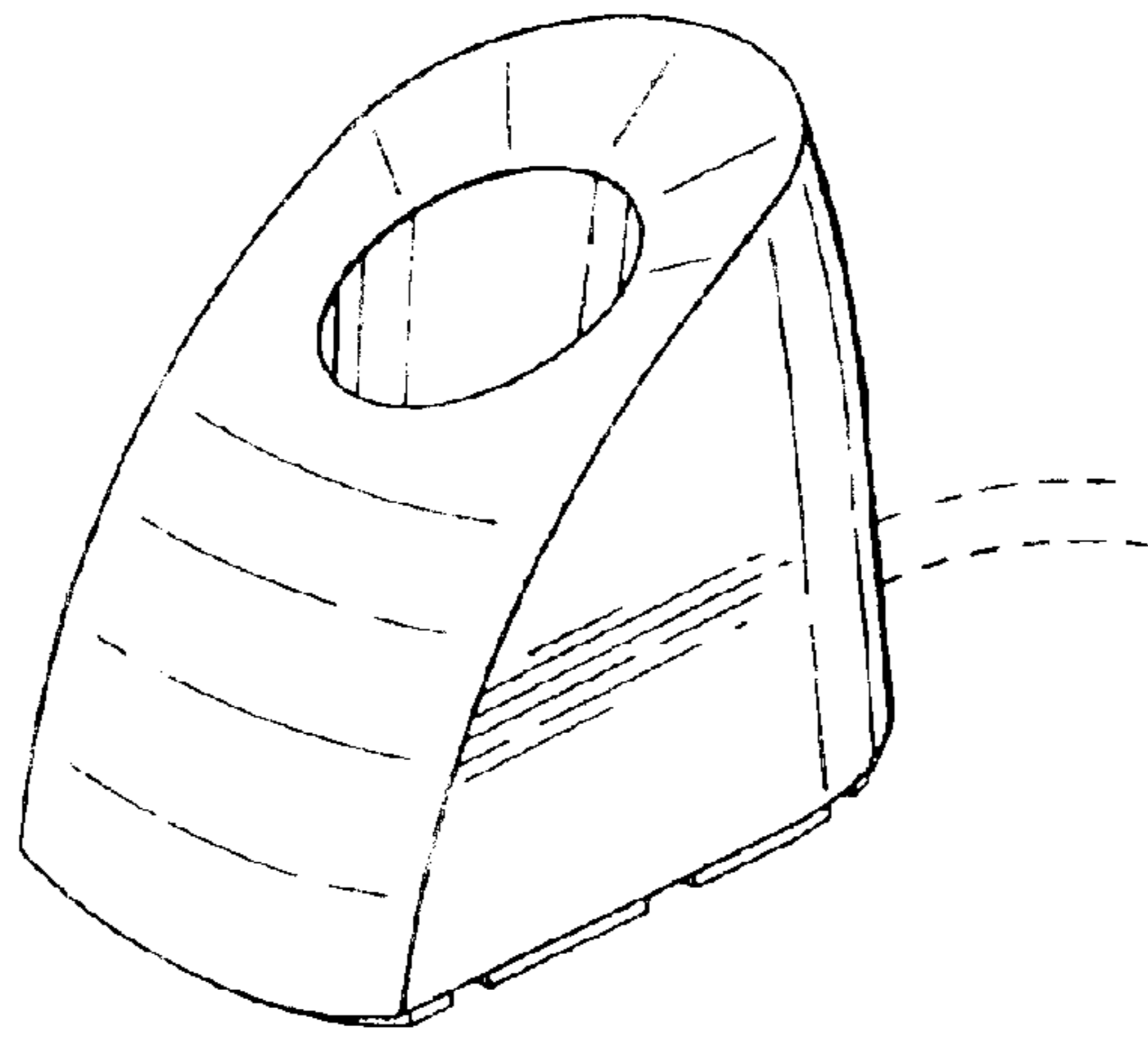


Fig. 2

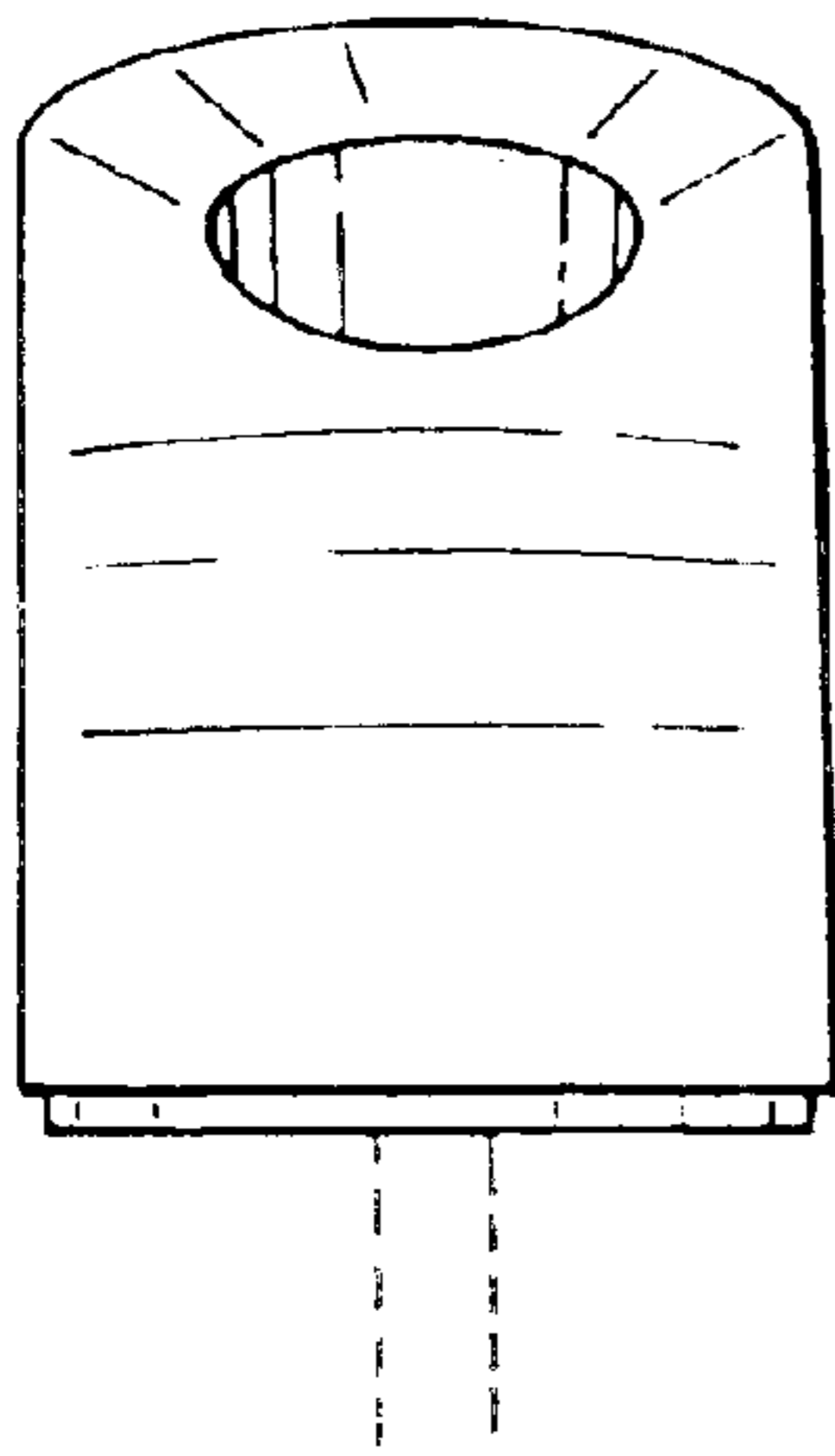


Fig. 3

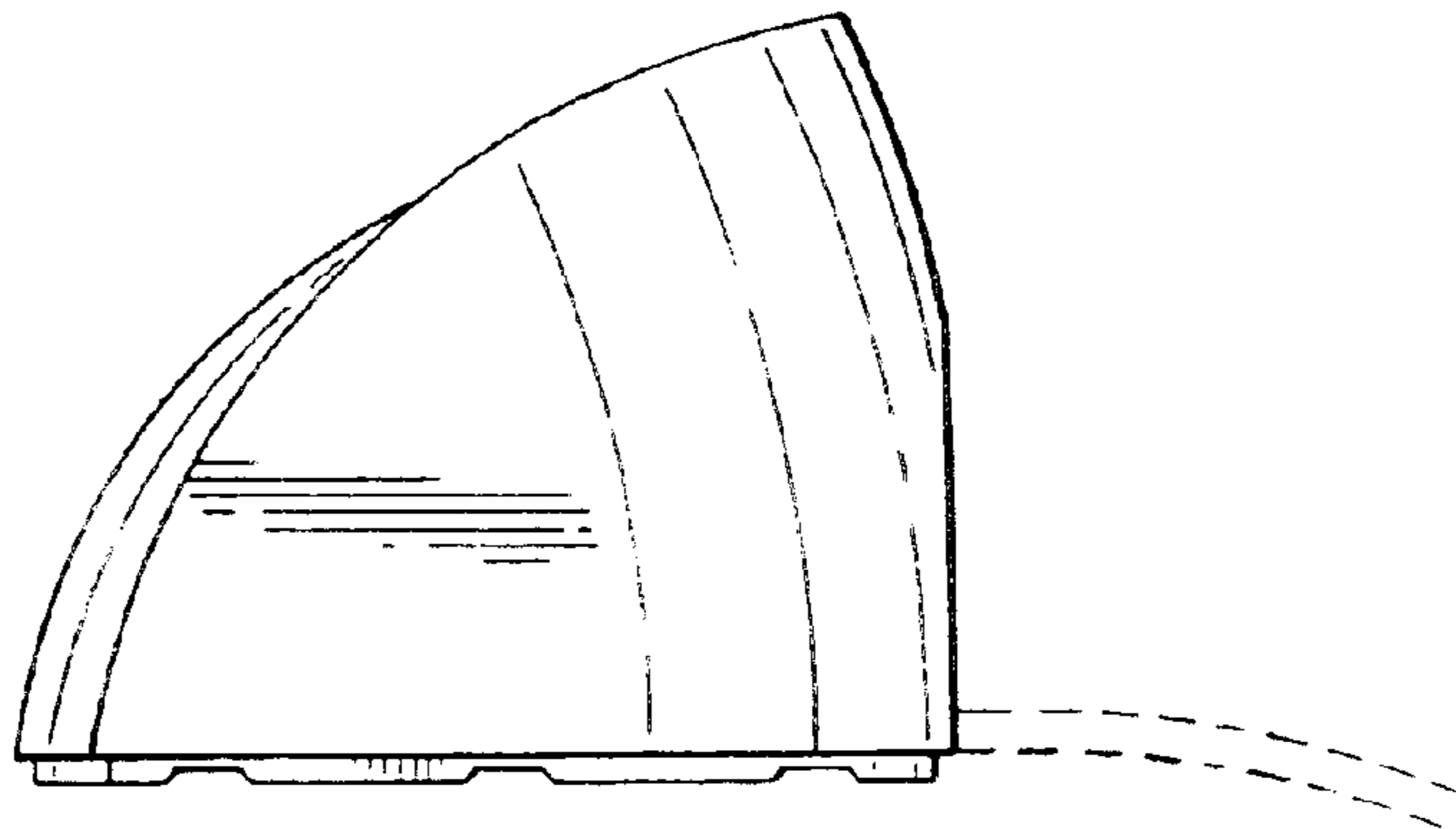


Fig. 6

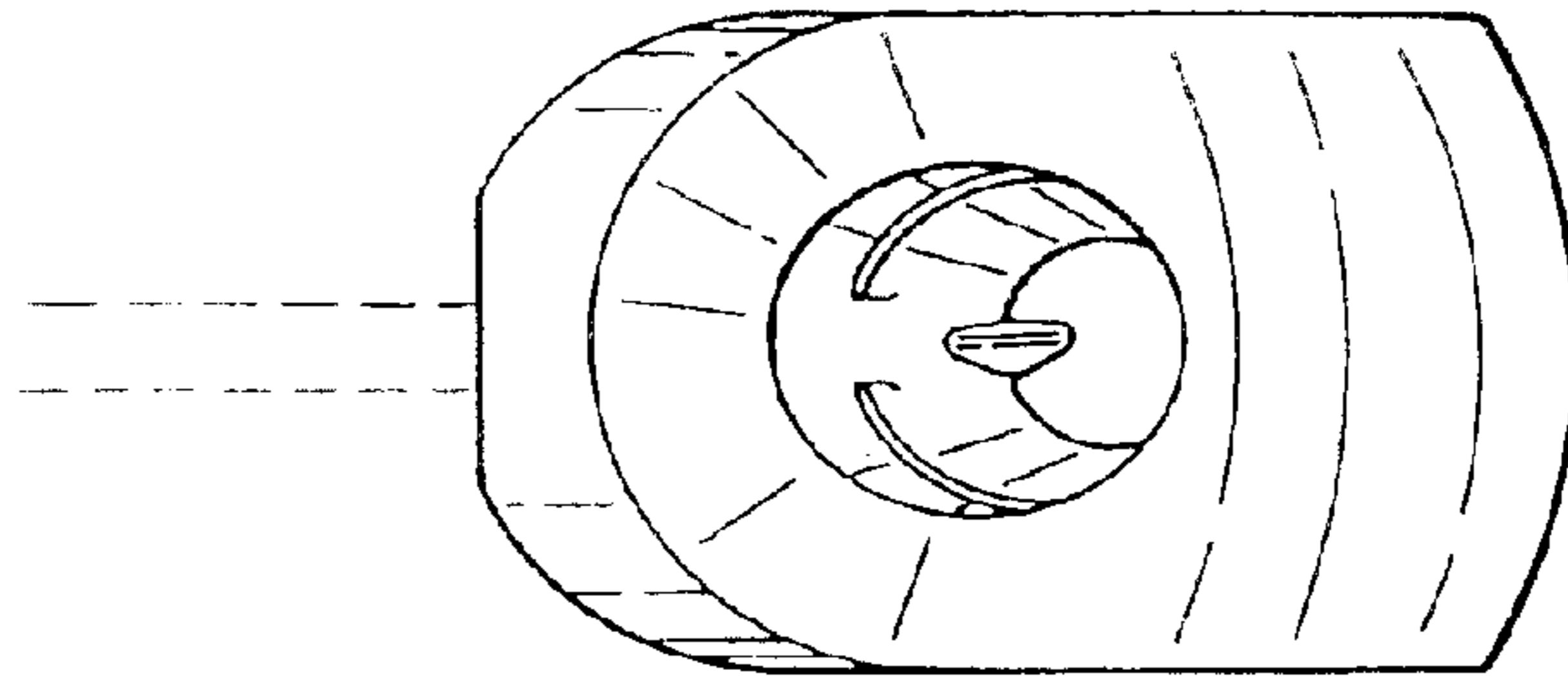


Fig. 5

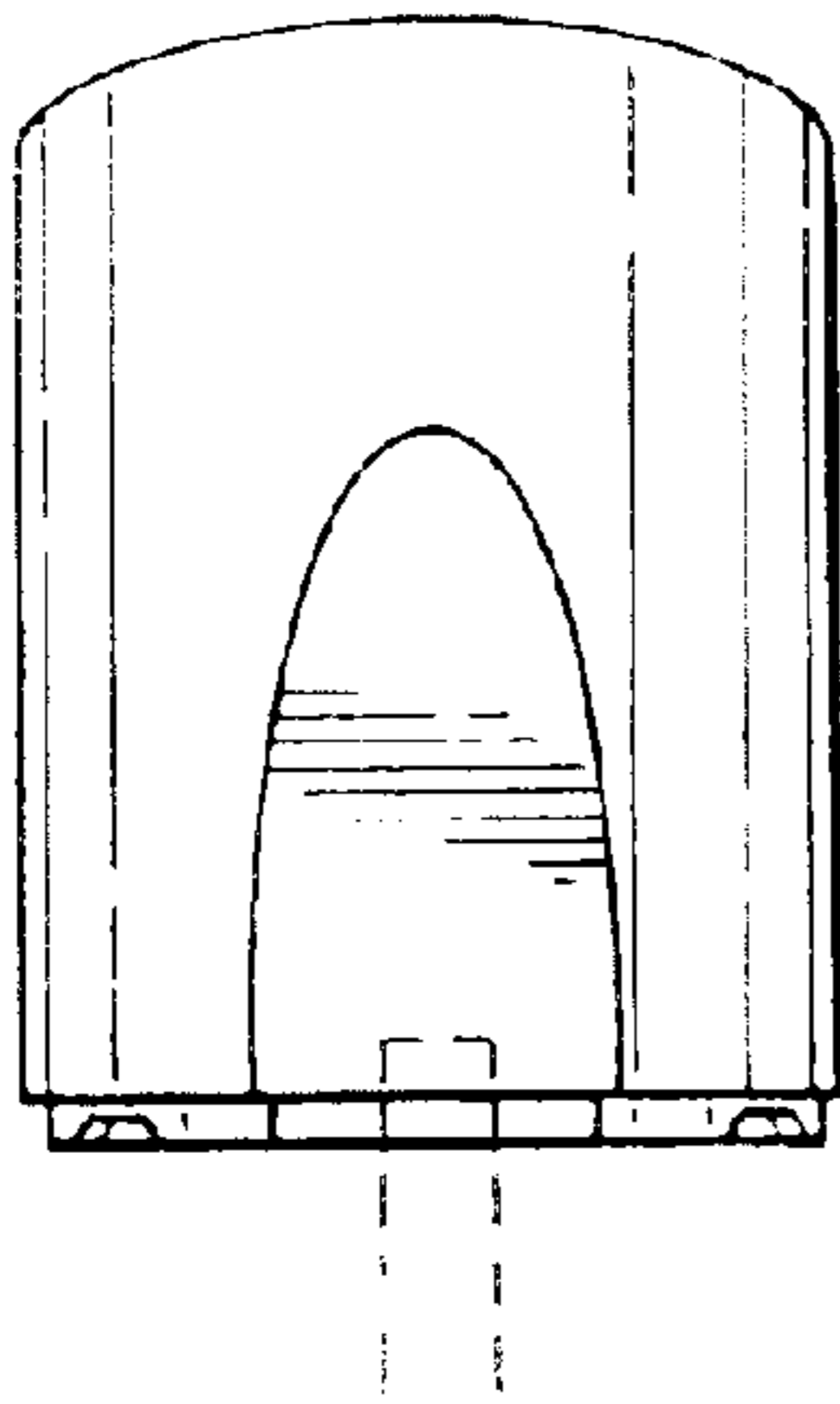


Fig. 4

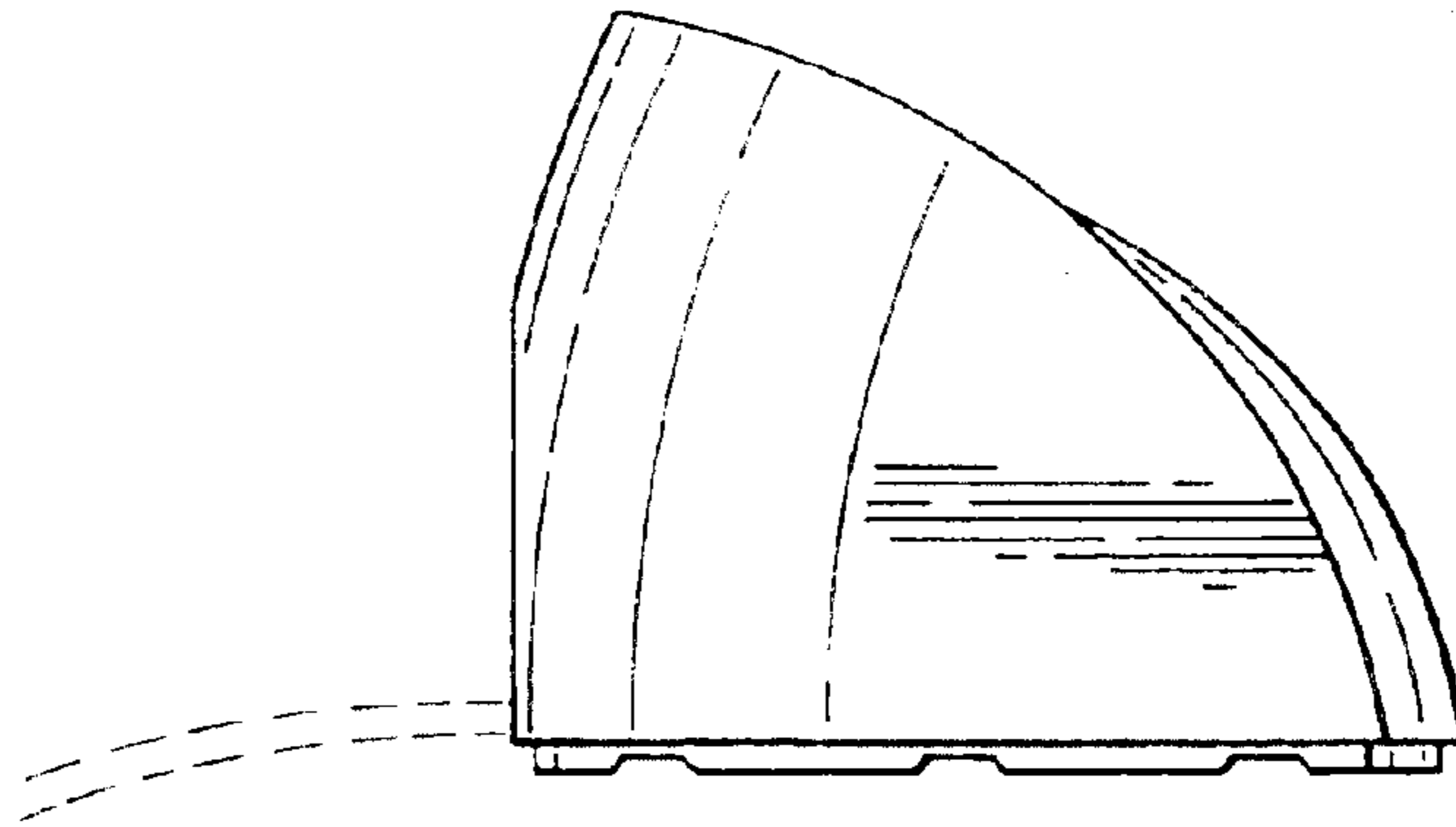


Fig. 7

