

US00D516021S

(12) **United States Design Patent**  
**Cheng**

(10) **Patent No.:** **US D516,021 S**

(45) **Date of Patent:** **\*\* Feb. 28, 2006**

(54) **PORTABLE BATTERY CHARGER**

(75) Inventor: **Tsung-Kai Cheng**, Taipei (TW)

(73) Assignee: **Tatung Co., Ltd.**, Taipei (TW)

(\*\*) Term: **14 Years**

(21) Appl. No.: **29/188,379**

(22) Filed: **Aug. 19, 2003**

(51) **LOC (8) Cl.** ..... **13-02**

(52) **U.S. Cl.** ..... **D13/107**

(58) **Field of Classification Search** ..... D13/107-110,  
D13/118-119, 184; D14/251, 253; 320/107-115  
See application file for complete search history.

(56) **References Cited**

**U.S. PATENT DOCUMENTS**

D269,697 S	*	7/1983	Graham et al.	.....	D23/245
D368,429 S	*	4/1996	Serio, Jr.	.....	D9/431
D375,937 S	*	11/1996	Mergenthaler et al.	....	D13/110
D383,115 S	*	9/1997	Nagele et al.	.....	D13/110
D402,641 S	*	12/1998	Heijnen	.....	D13/184

D413,567 S	*	9/1999	Person et al.	.....	D13/110
D460,424 S	*	7/2002	Zhao	.....	D13/184
D503,679 S	*	4/2005	Andre et al.	.....	D13/110

\* cited by examiner

*Primary Examiner*—Alan P. Douglas

*Assistant Examiner*—Rosemary Tarcza

(74) *Attorney, Agent, or Firm*—Bacon & Thomas PLLC

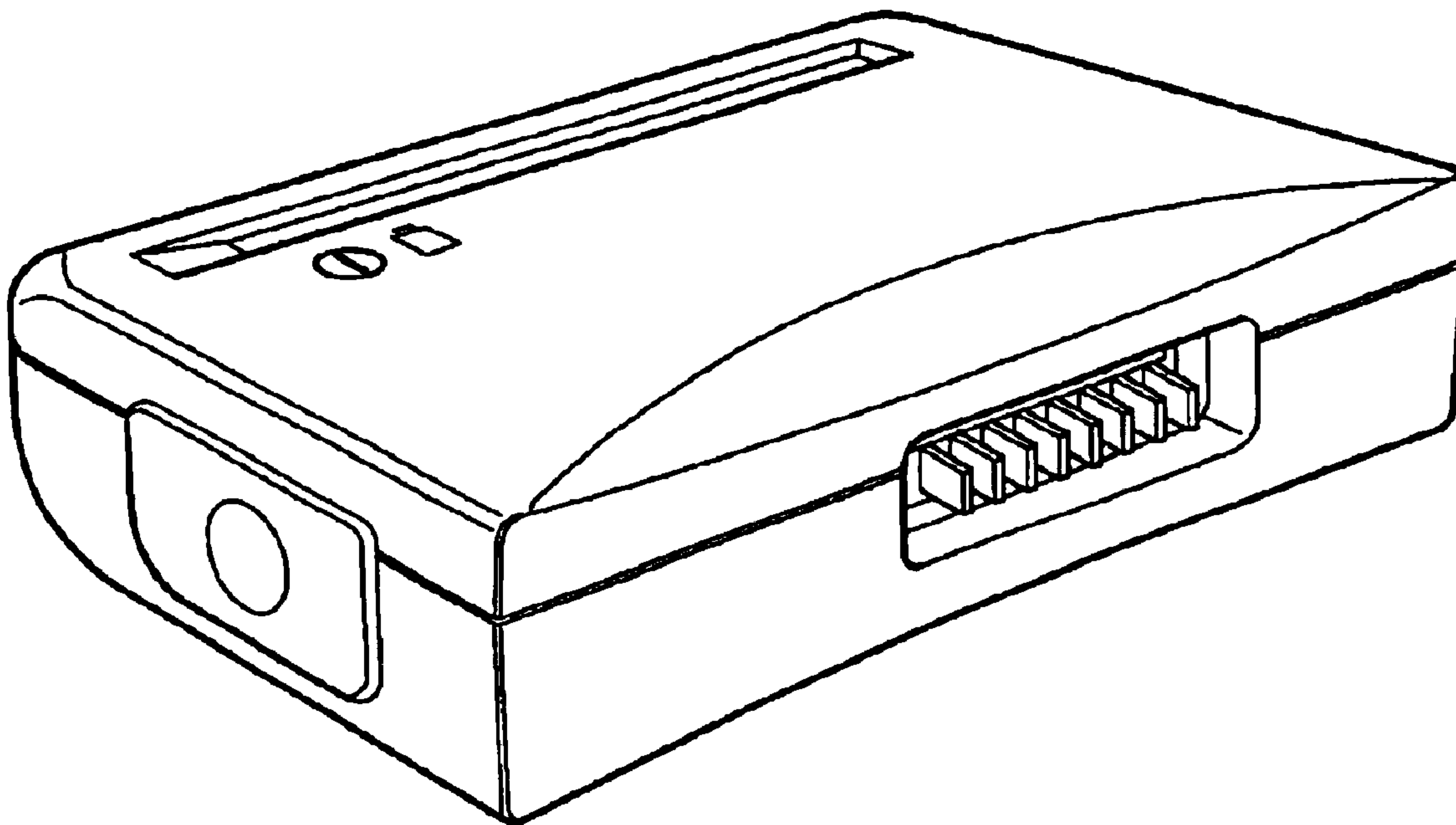
(57) **CLAIM**

The ornamental design for the portable battery charger, as shown and described.

**DESCRIPTION**

FIG. 1 is a perspective view of a portable battery charger showing our new design;  
FIG. 2 is a front view thereof;  
FIG. 3 is a rear view thereof;  
FIG. 4 is a left side view thereof;  
FIG. 5 is a right side view thereof;  
FIG. 6 is a top view thereof; and,  
FIG. 7 is a bottom view thereof.

**1 Claim, 4 Drawing Sheets**



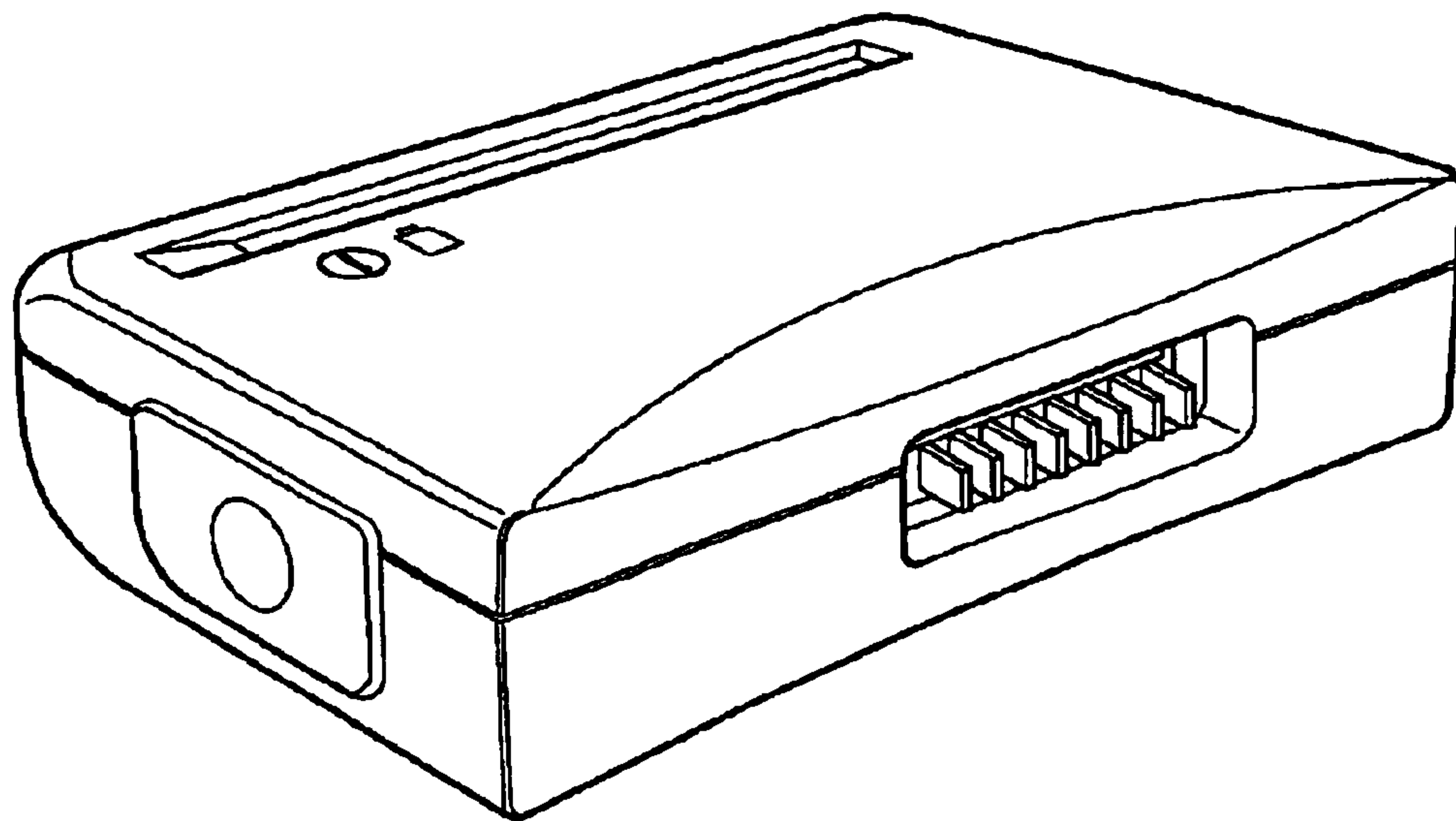


FIG. 1

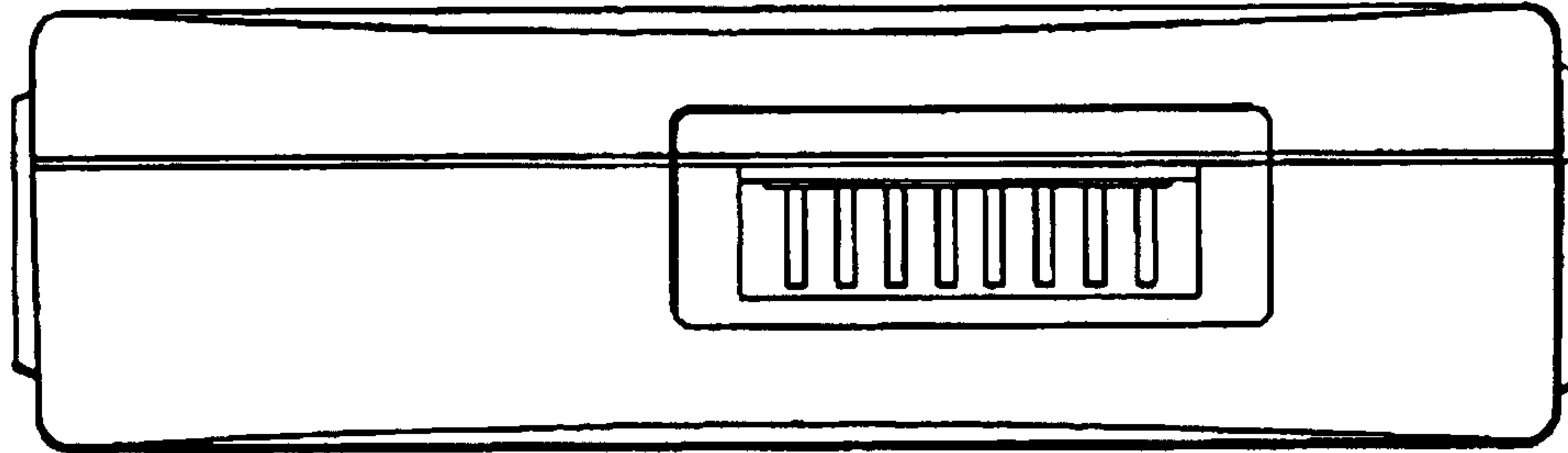


FIG. 2

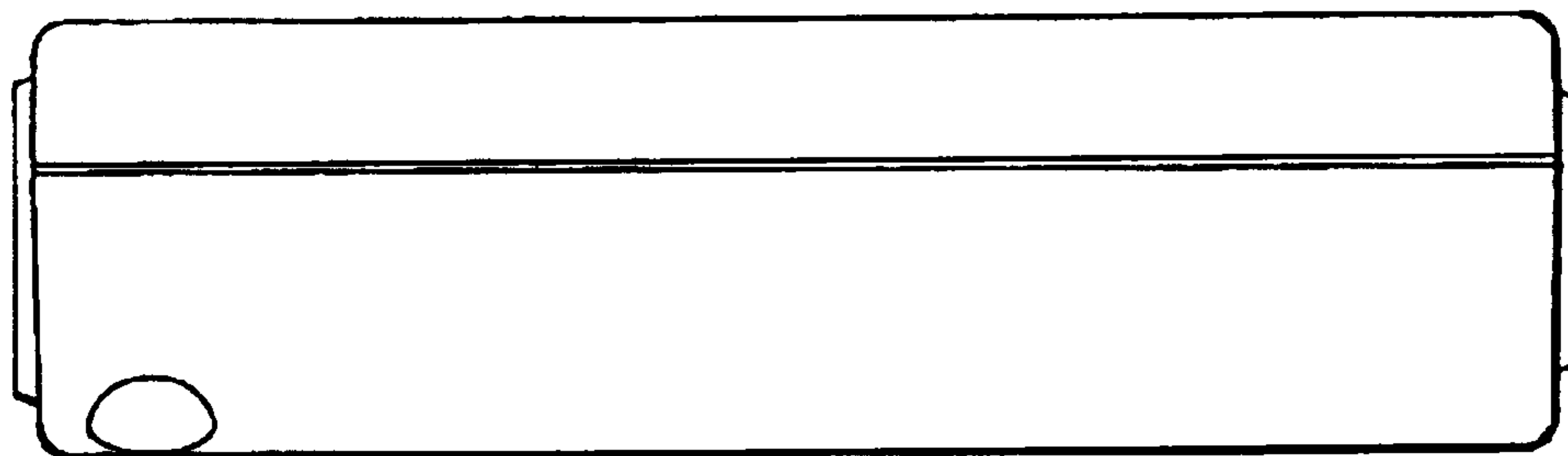


FIG. 3

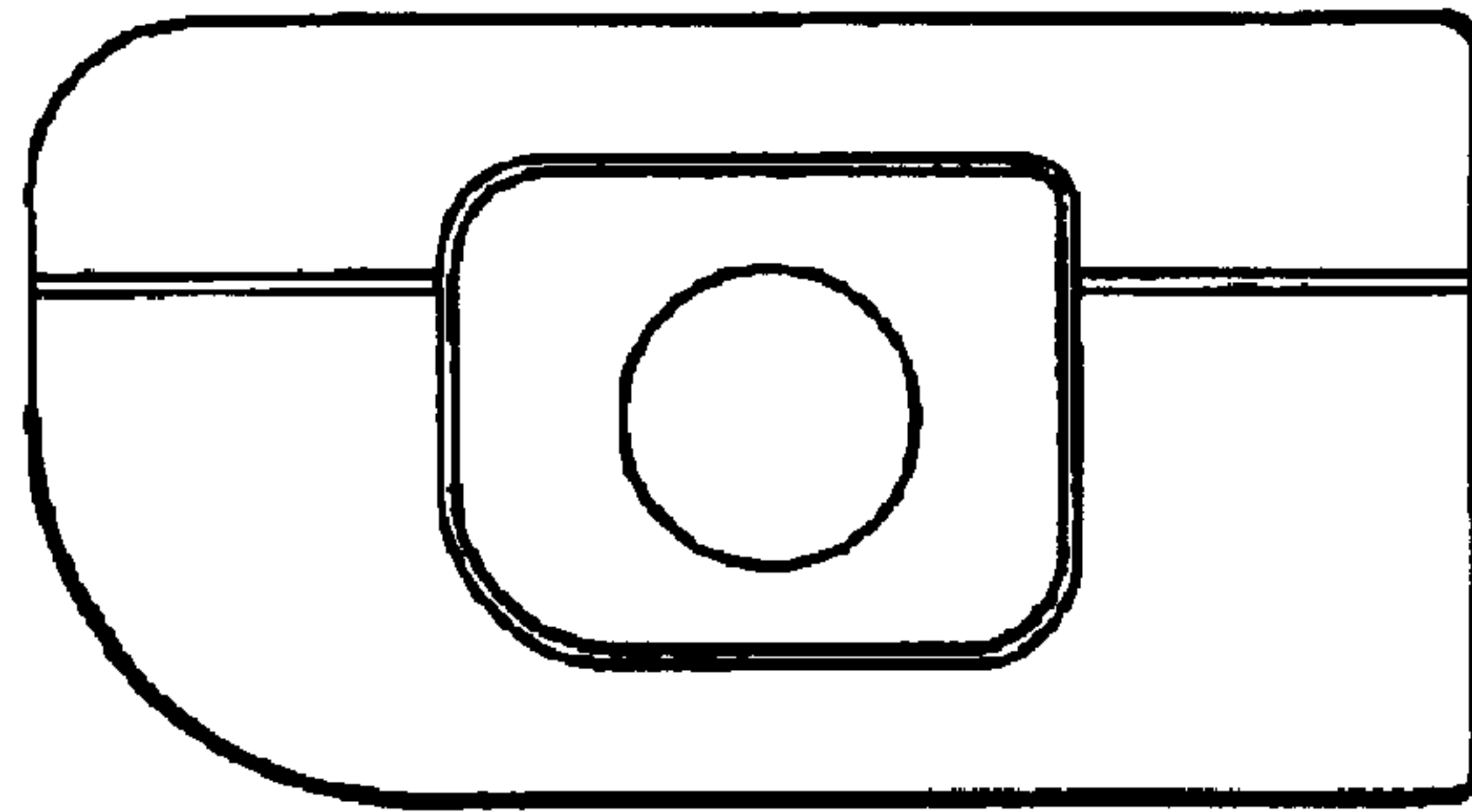


FIG. 4

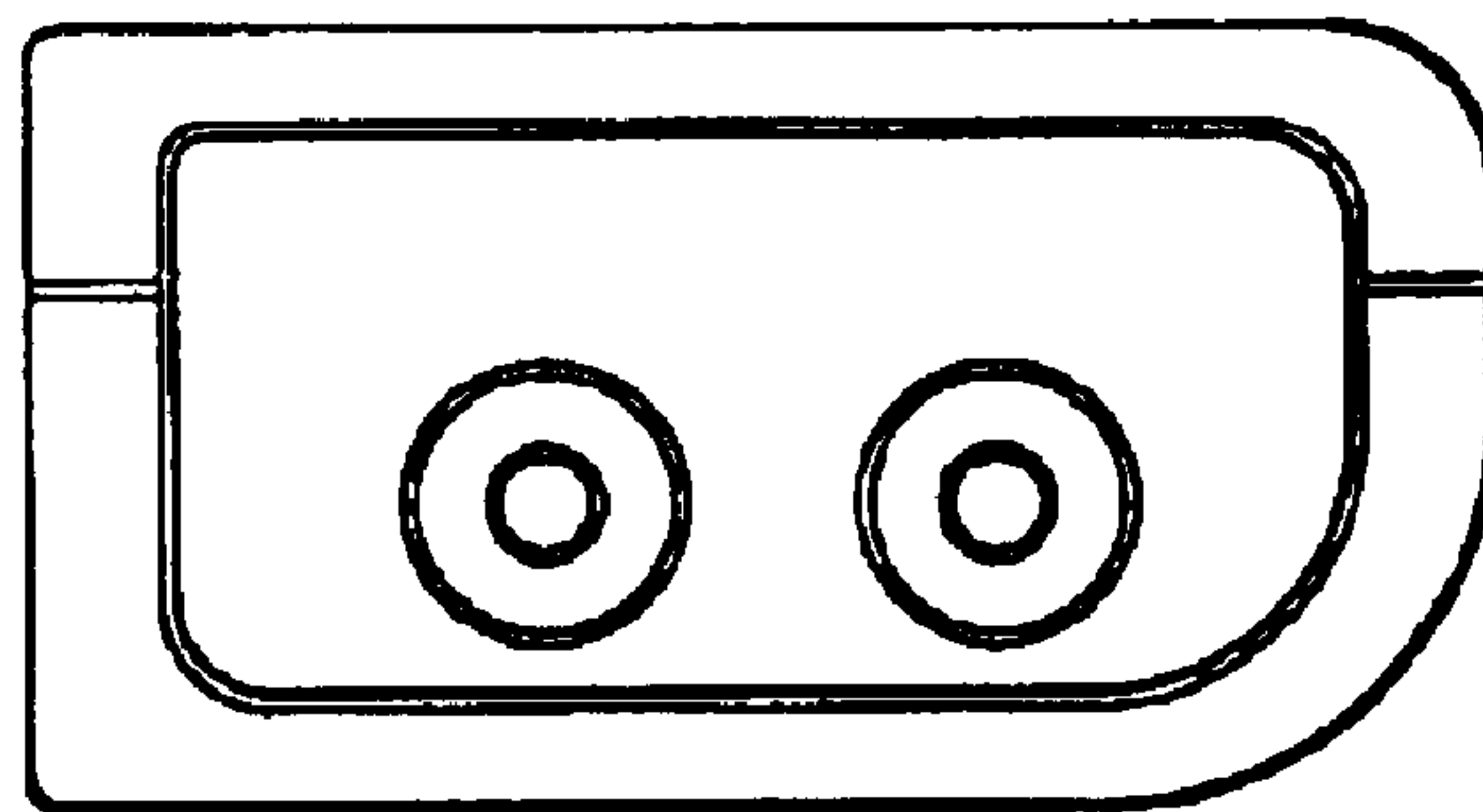


FIG. 5

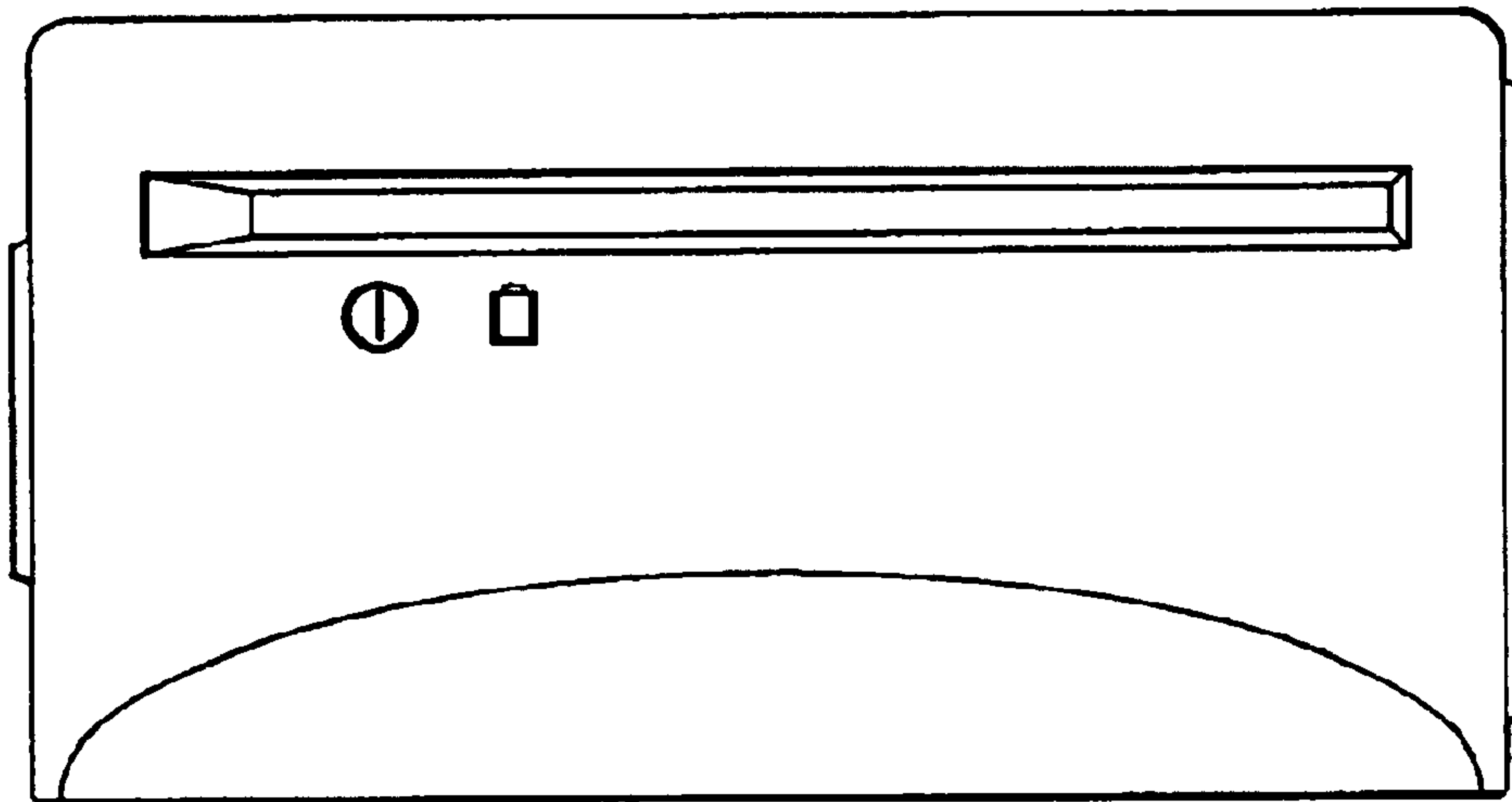


FIG. 6

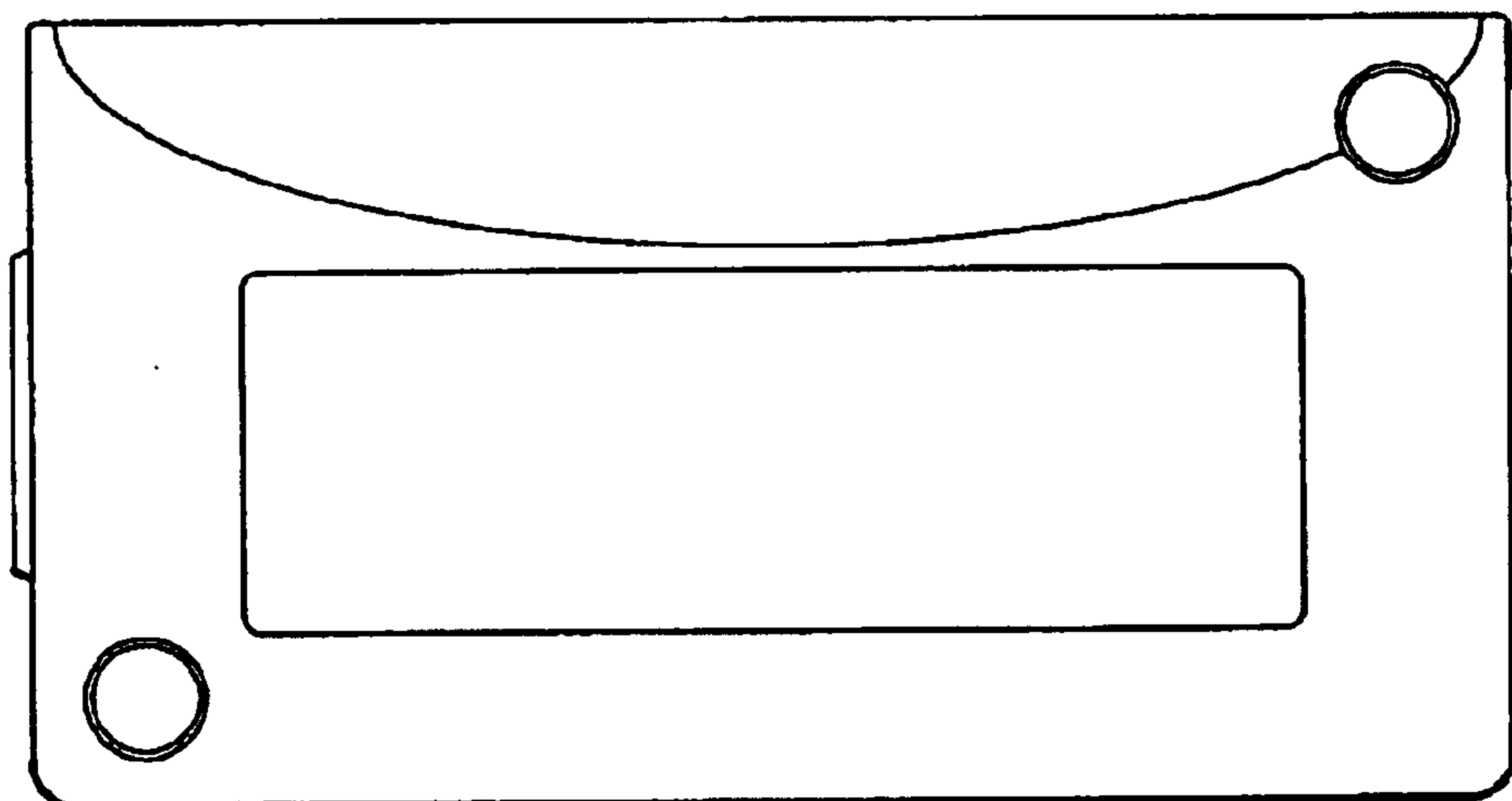


FIG. 7