



US00D516020S

(12) **United States Design Patent**
Wong et al.

(10) **Patent No.: US D516,020 S**
(45) **Date of Patent: ** Feb. 28, 2006**

(54) **BATTERY PACK**

(75) Inventors: **Kam Kee Wong**, Kowloon (HK);
Daniel Alex Chunn, Kowloon (HK);
Taku Ohi, Greer, SC (US)

(73) Assignee: **One World Technologies Limited**,
Hamilton (BM)

(**) Term: **14 Years**

(21) Appl. No.: **29/229,480**

(22) Filed: **May 6, 2005**

Related U.S. Application Data

(62) Division of application No. 29/215,834, filed on Oct. 26,
2004.

(51) **LOC (8) Cl.** **13-02**

(52) **U.S. Cl.** **D13/103**

(58) **Field of Classification Search** D13/102-106,
D13/110, 118-119, 184; 429/96-100, 163,
429/176

See application file for complete search history.

(56) **References Cited**

U.S. PATENT DOCUMENTS

- D415,100 S * 10/1999 Buck D13/103
- 6,075,341 A * 6/2000 White et al. 320/114
- D436,917 S * 1/2001 Hayakawa et al. D13/103
- D456,002 S * 4/2002 Kato et al. D13/103
- D475,679 S * 6/2003 Cooper et al. D13/103

- D477,811 S * 7/2003 Niwa et al. D13/103
- D481,672 S * 11/2003 Niwa et al. D13/103
- D483,012 S * 12/2003 Hsu D13/103
- D484,458 S * 12/2003 Garvis et al. D13/103
- 6,783,886 B1 * 8/2004 Sakakibara et al. 429/99
- 2003/0039880 A1 * 2/2003 Turner et al. 429/97
- 2004/0106036 A1 * 6/2004 Geis et al. 429/99

* cited by examiner

Primary Examiner—Alan P. Douglas
Assistant Examiner—Rosemary Tarcza

(74) *Attorney, Agent, or Firm*—Brinks Hofer Gilson &
Lione

(57) **CLAIM**

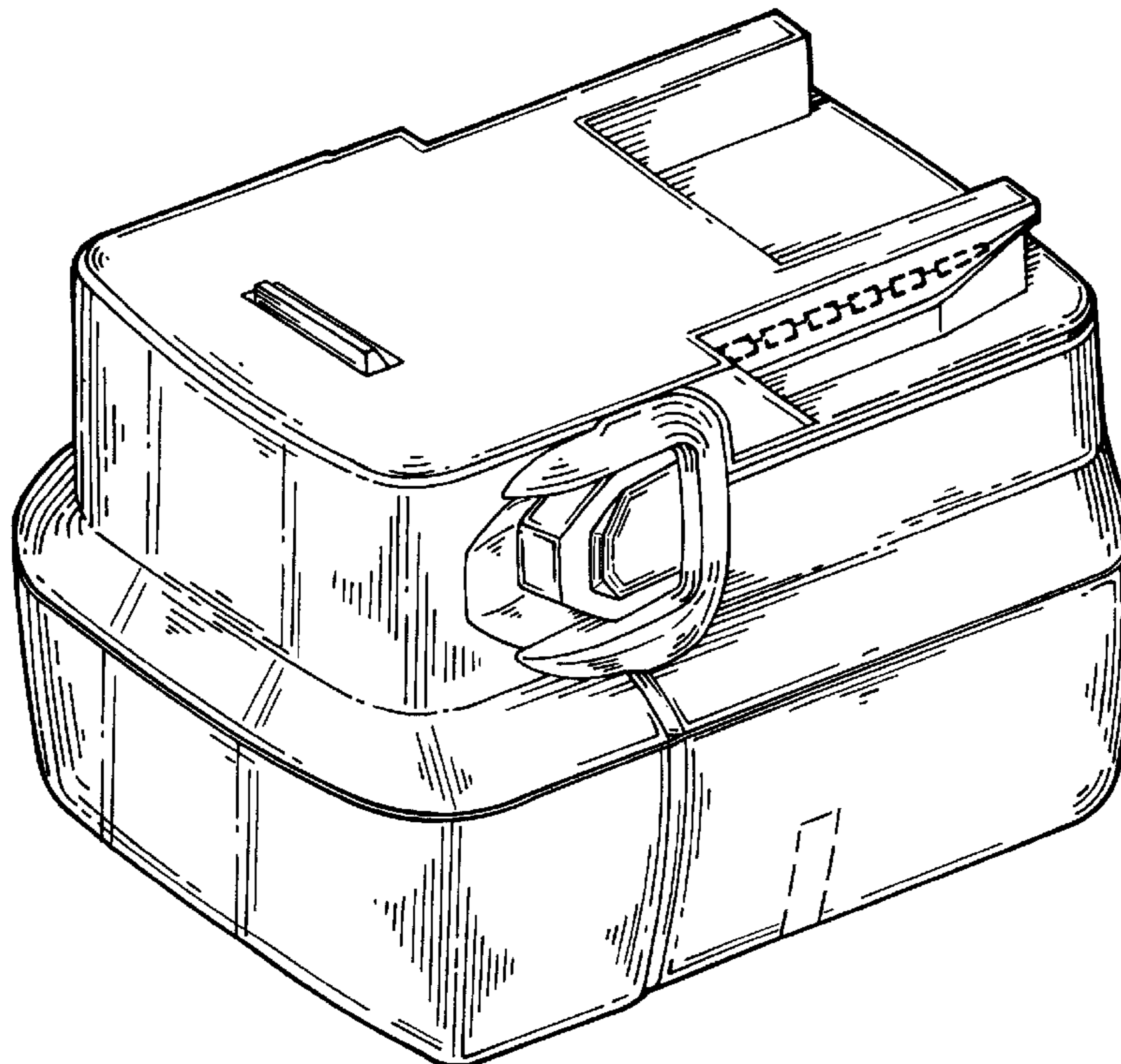
The ornamental design for a battery pack, as shown and
described.

DESCRIPTION

FIG. 1 is a top perspective view of a battery pack of the
present invention;
FIG. 2 is a top view thereof;
FIG. 3 is a bottom view thereof;
FIG. 4 is a first side view thereof;
FIG. 5 is a second side view thereof;
FIG. 6 is a front view thereof; and,
FIG. 7 is a rear view thereof.

The ornamental design which is claimed is shown in solid
lines in the drawings. Any broken lines in the drawings are
for illustrative purposes only and form no part of the claimed
design.

1 Claim, 3 Drawing Sheets



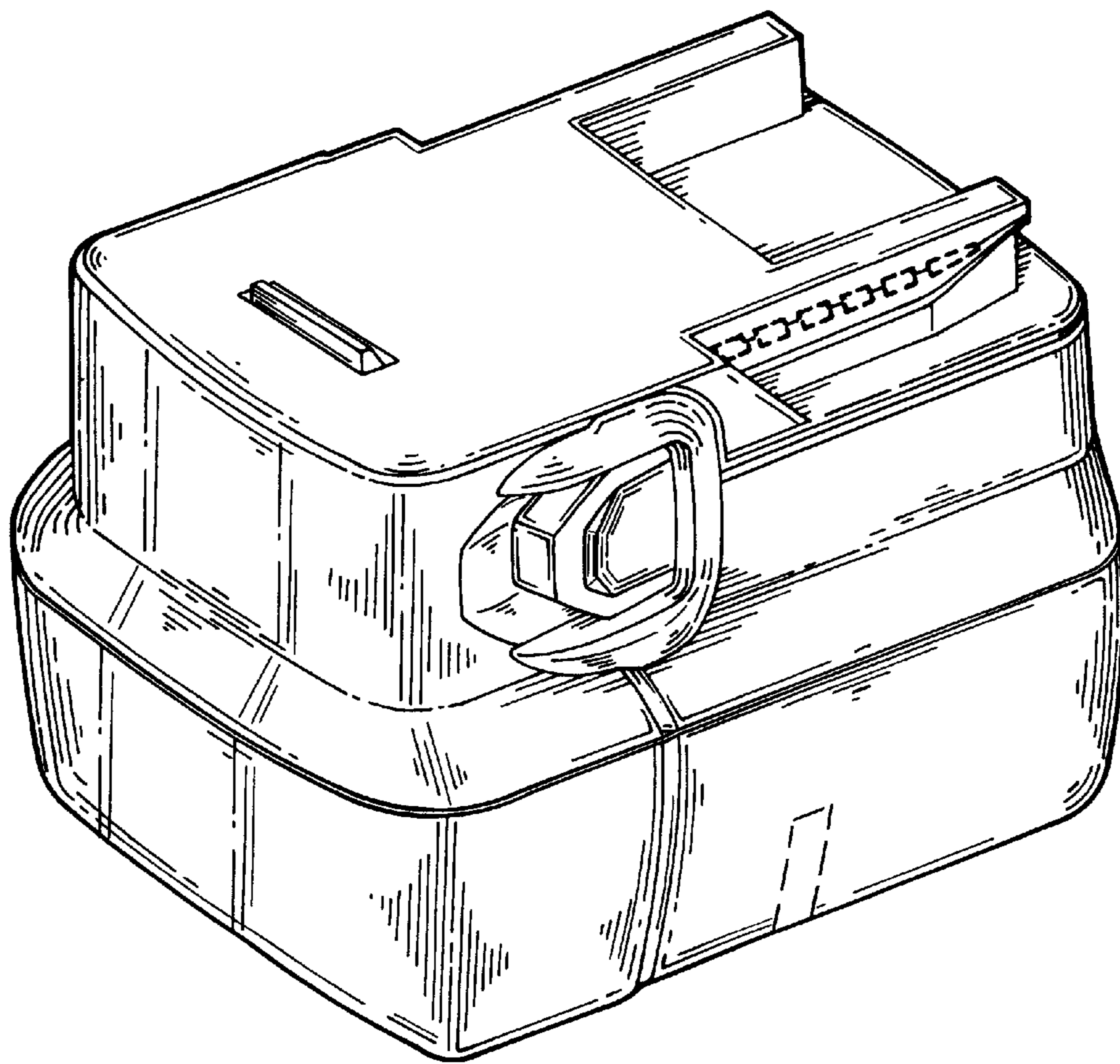


Fig. 1

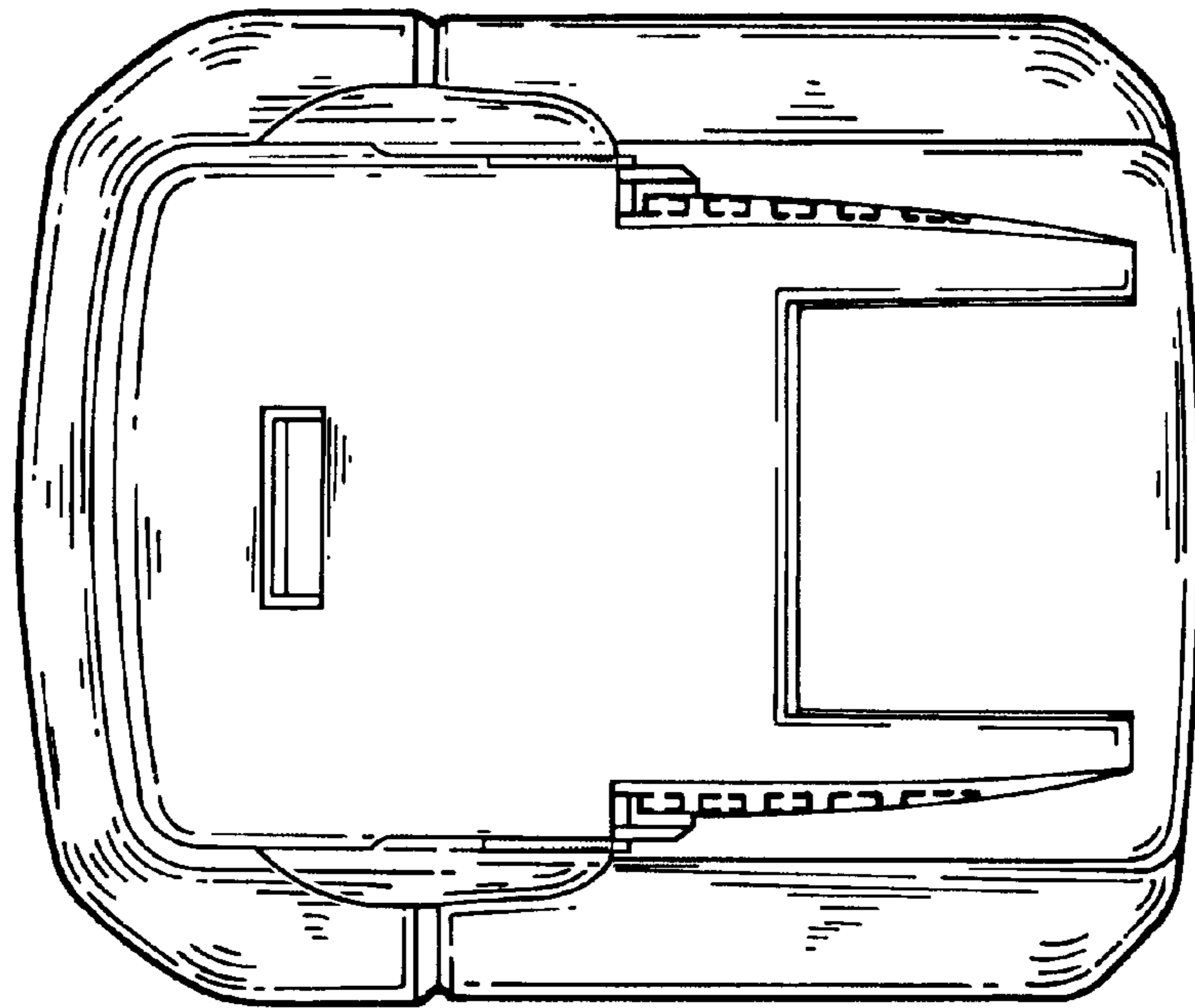


Fig. 2

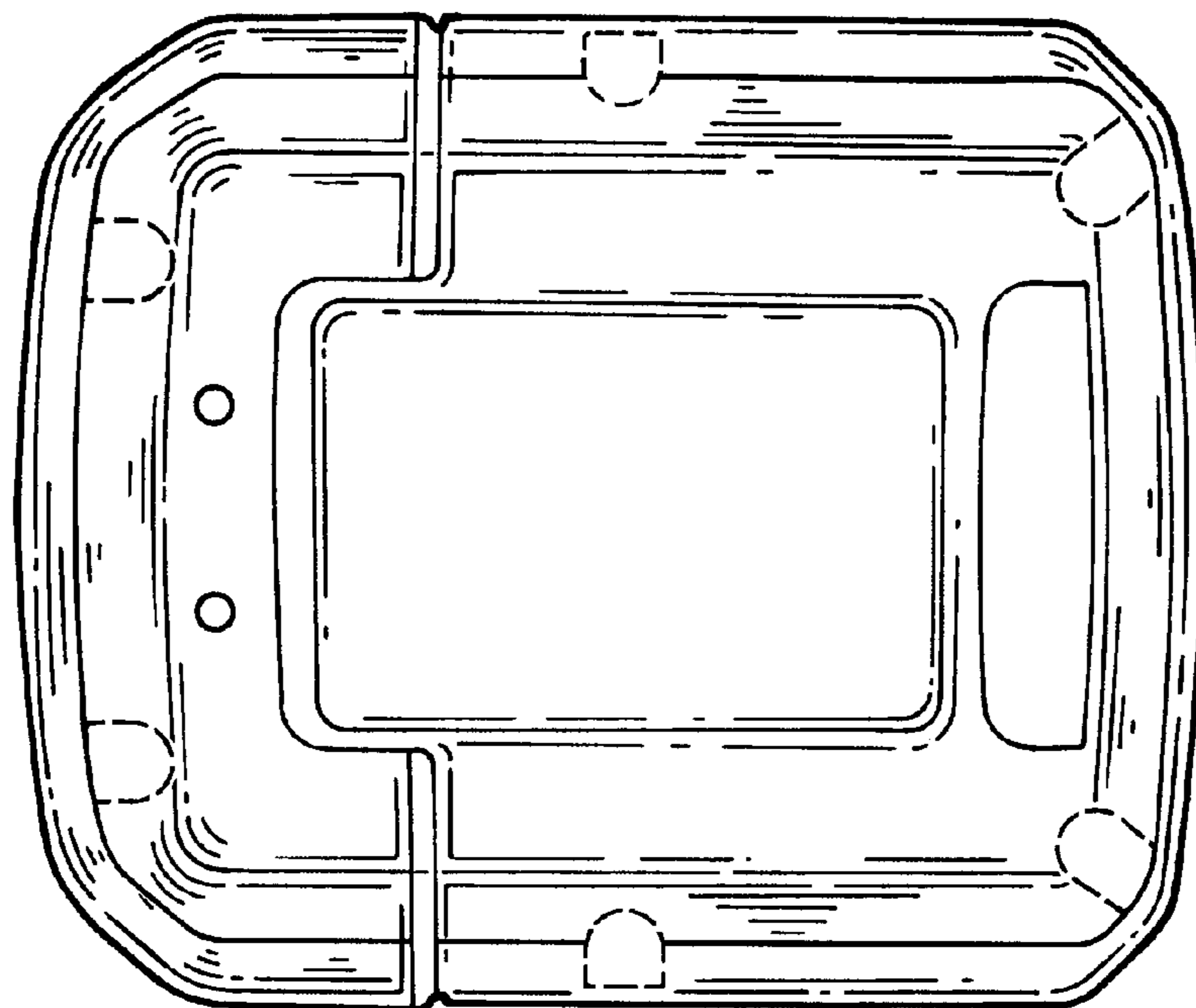


Fig. 3

Fig. 4

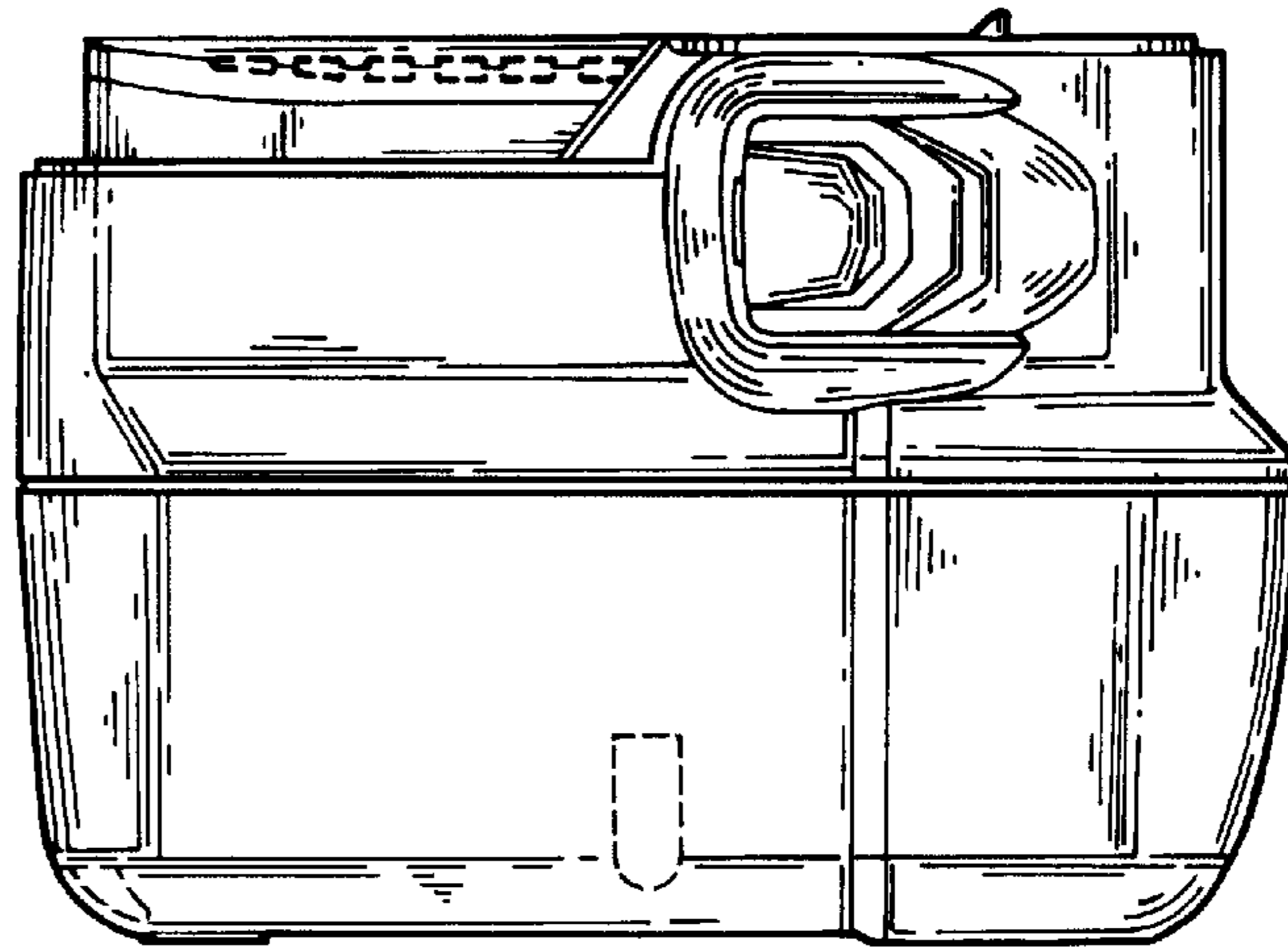


Fig. 5

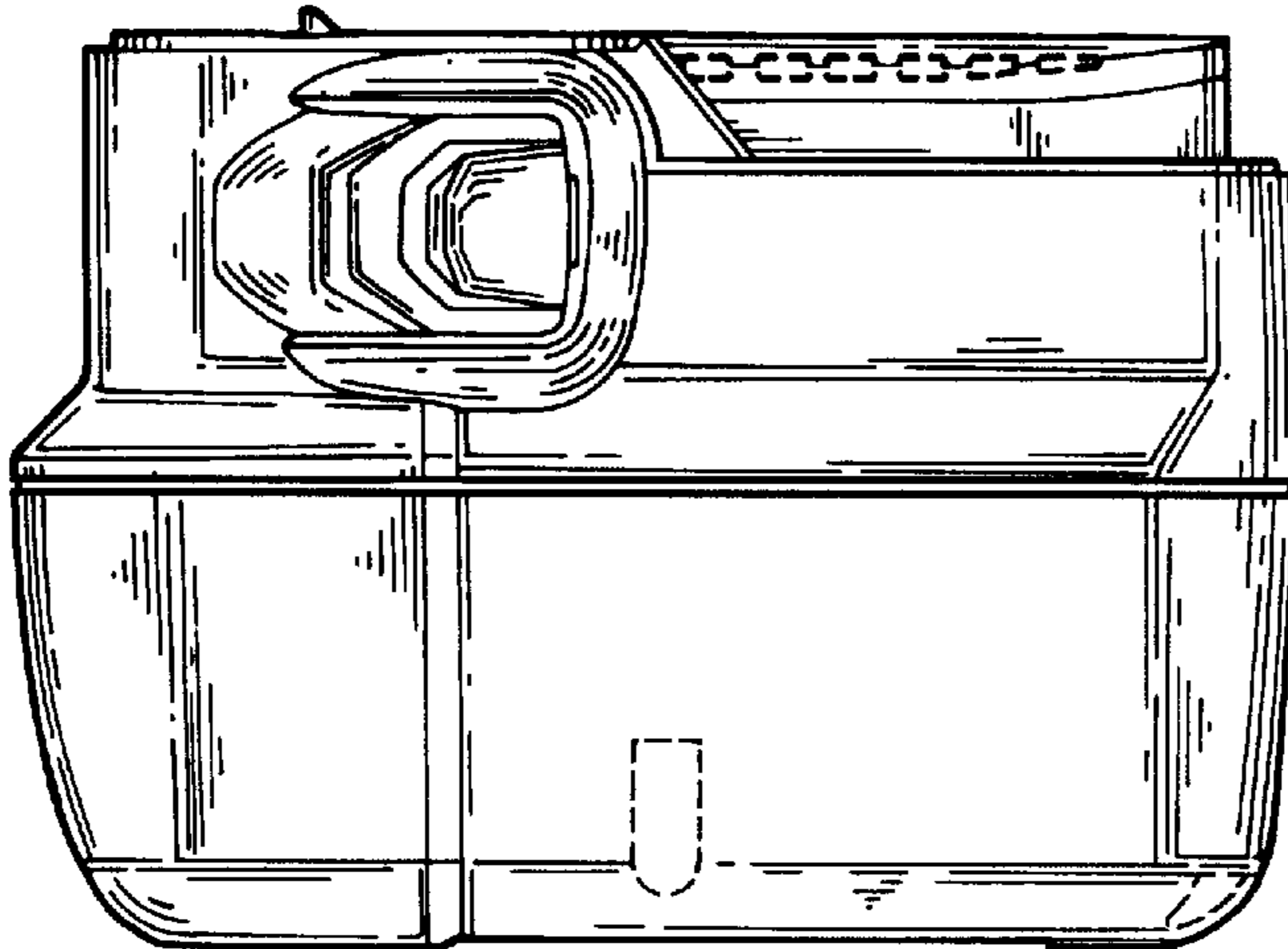


Fig. 6

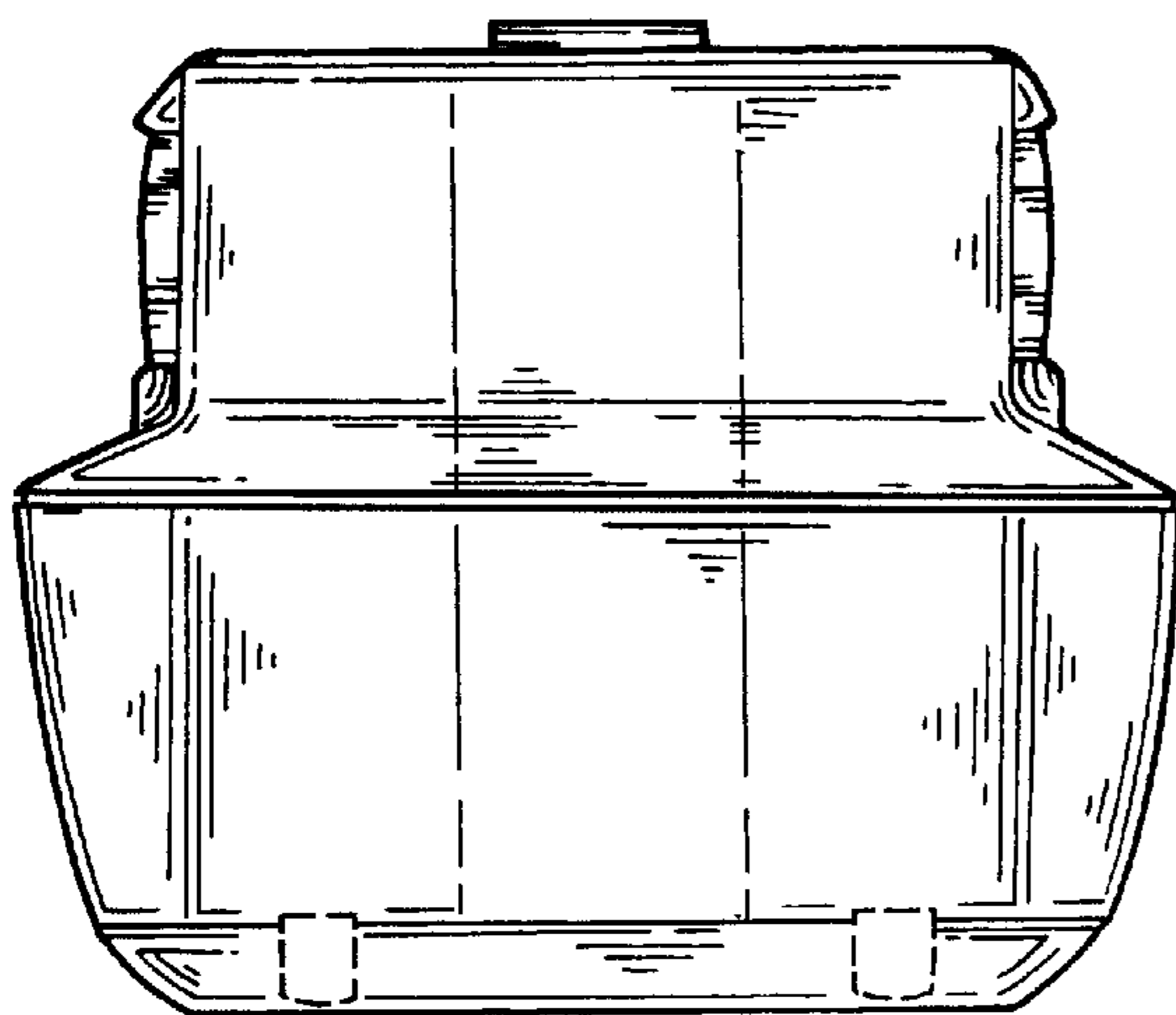


Fig. 7

