



US00D516004S

(12) **United States Design Patent**
Hernandez

(10) **Patent No.: US D516,004 S**

(45) **Date of Patent: ** Feb. 28, 2006**

(54) **WHEEL RIM FOR AUTOMOBILES**

D451,877 S * 12/2001 Lee D12/211
D461,444 S * 8/2002 Bernoni D12/211

(76) Inventor: **Mauricio Hernandez**, 20758 Centre
Point Pkwy., Santa Clarita, CA (US)
91350

* cited by examiner

(**) Term: **14 Years**

Primary Examiner—Stacia Cadmus

(74) *Attorney, Agent, or Firm*—Kelly Lowry & Kelley, LLP

(21) Appl. No.: **29/227,196**

(57) **CLAIM**

(22) Filed: **Apr. 6, 2005**

The ornamental design for a wheel rim for automobiles, as shown.

(51) **LOC (8) Cl.** **12-16**

(52) **U.S. Cl.** **D12/211**

(58) **Field of Classification Search** D12/204–213;
301/37.101, 64.101, 65

See application file for complete search history.

DESCRIPTION

FIG. 1 is a front and side-perspective view of a wheel rim for automobiles embodying my new design;

FIG. 2 is a front elevational view thereof; and,

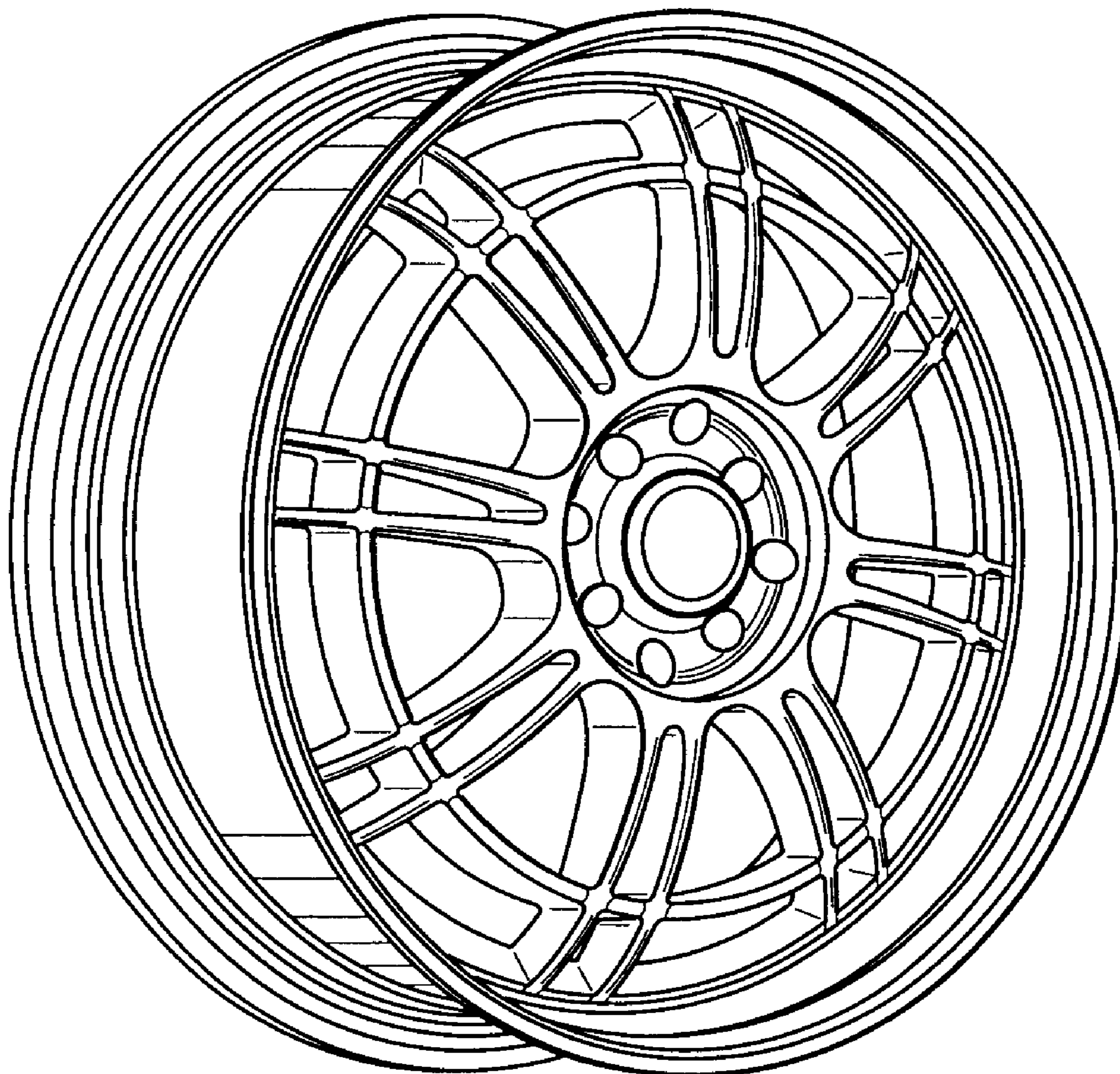
FIG. 3 is a side elevational view thereof.

(56) **References Cited**

U.S. PATENT DOCUMENTS

D429,206 S * 8/2000 Ito D12/211

1 Claim, 1 Drawing Sheet



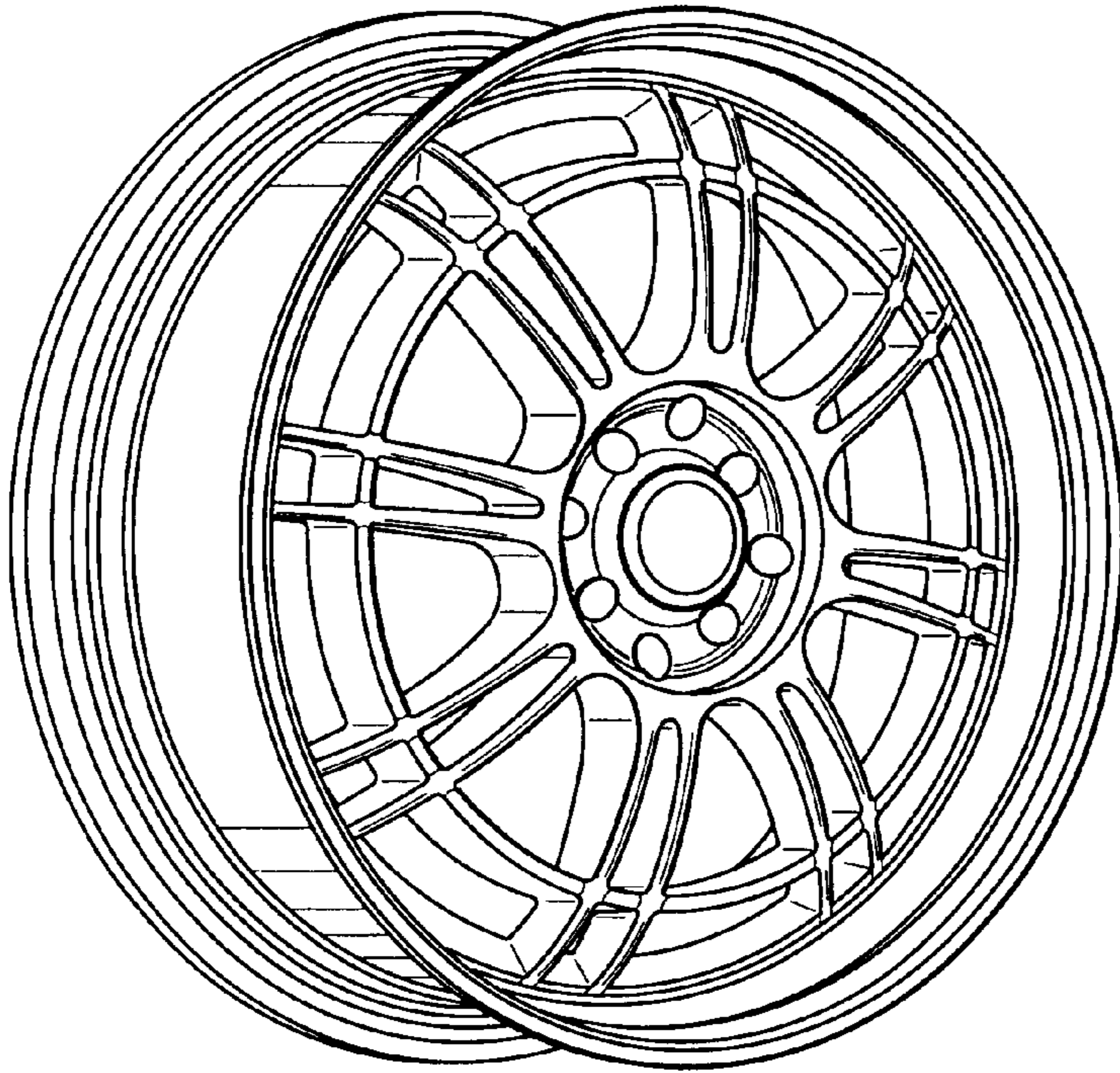


FIG. 1

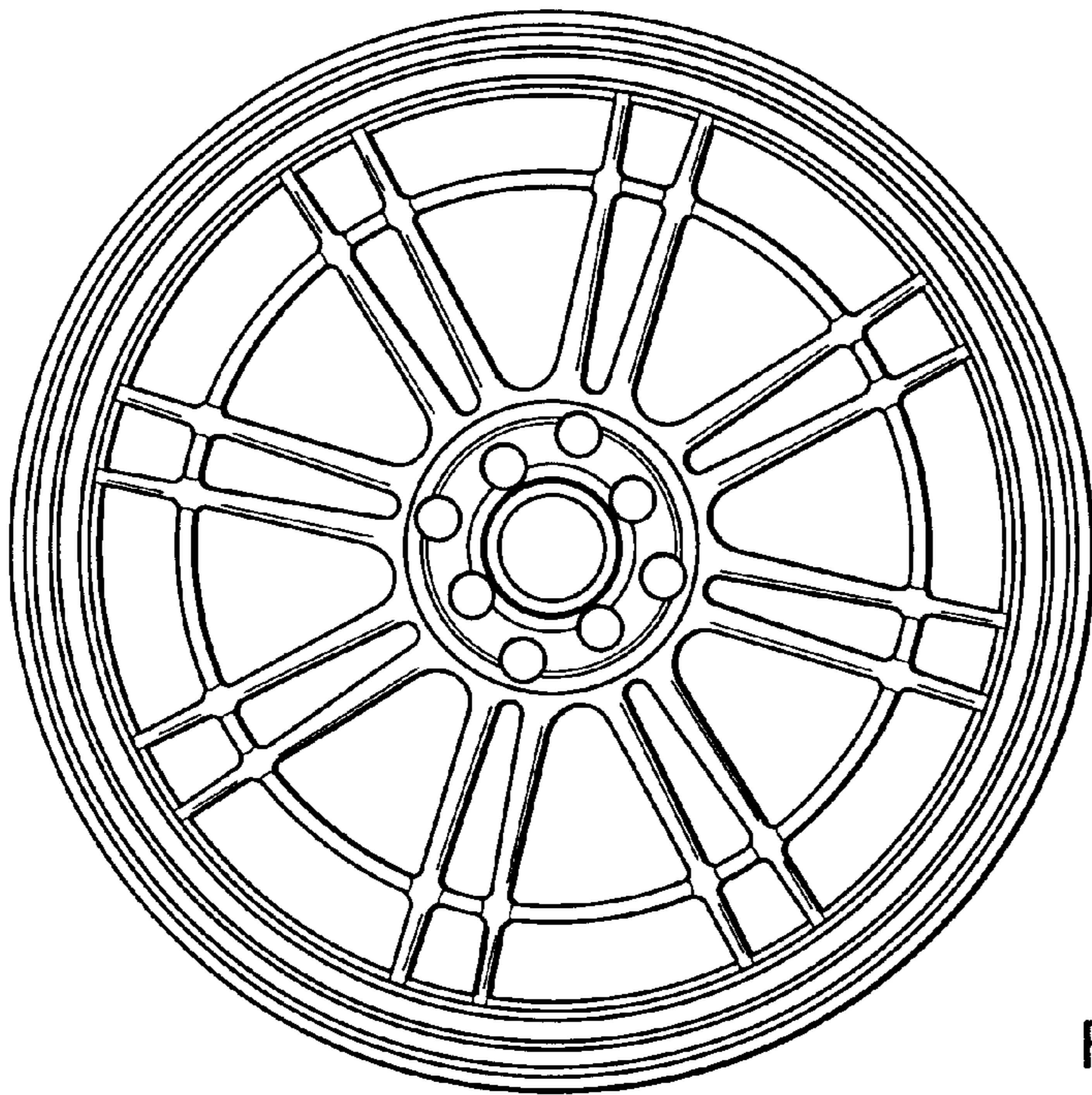


FIG. 2

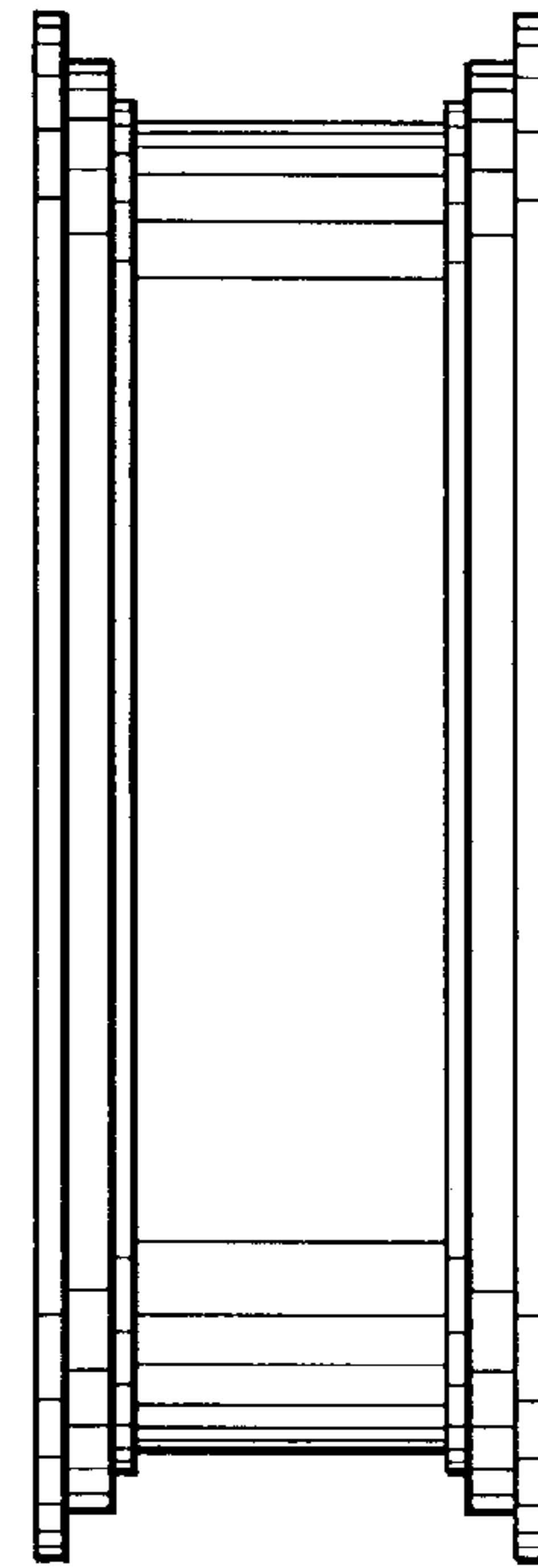


FIG. 3