



US00D516003S

(12) **United States Design Patent**
Huet

(10) **Patent No.:** **US D516,003 S**
(45) **Date of Patent:** **** Feb. 28, 2006**

(54) **FRONT FACE OF A VEHICLE WHEEL**

(75) **Inventor:** **Nicolas Huet**, Munich (DE)

(73) **Assignee:** **Bayerische Motoren Werke
Aktiengesellschaft**, Munich (DE)

(**) **Term:** **14 Years**

(21) **Appl. No.:** **29/224,576**

(22) **Filed:** **Mar. 4, 2005**

(30) **Foreign Application Priority Data**

Sep. 7, 2004 (DE) 40405166

(51) **LOC (8) Cl.** **12-16**

(52) **U.S. Cl.** **D12/211**

(58) **Field of Classification Search** D12/204-213;
301/37.101, 64.101, 65

See application file for complete search history.

(56) **References Cited**

U.S. PATENT DOCUMENTS

D384,632 S 10/1997 Lempert

D445,753 S * 7/2001 Neeper D12/211
D466,851 S * 12/2002 Pfeiffer et al. D12/211
D477,558 S * 7/2003 Brintouch D12/211
D502,679 S * 3/2005 Boyer D12/211
D504,375 S * 4/2005 Hussaini et al. D12/204
D505,906 S * 6/2005 Pfeiffer D12/211

* cited by examiner

Primary Examiner—Stacia Cadmus

(74) *Attorney, Agent, or Firm*—Crowell & Moring LLP

(57) **CLAIM**

The ornamental design for a front face of a vehicle wheel,
as shown and described.

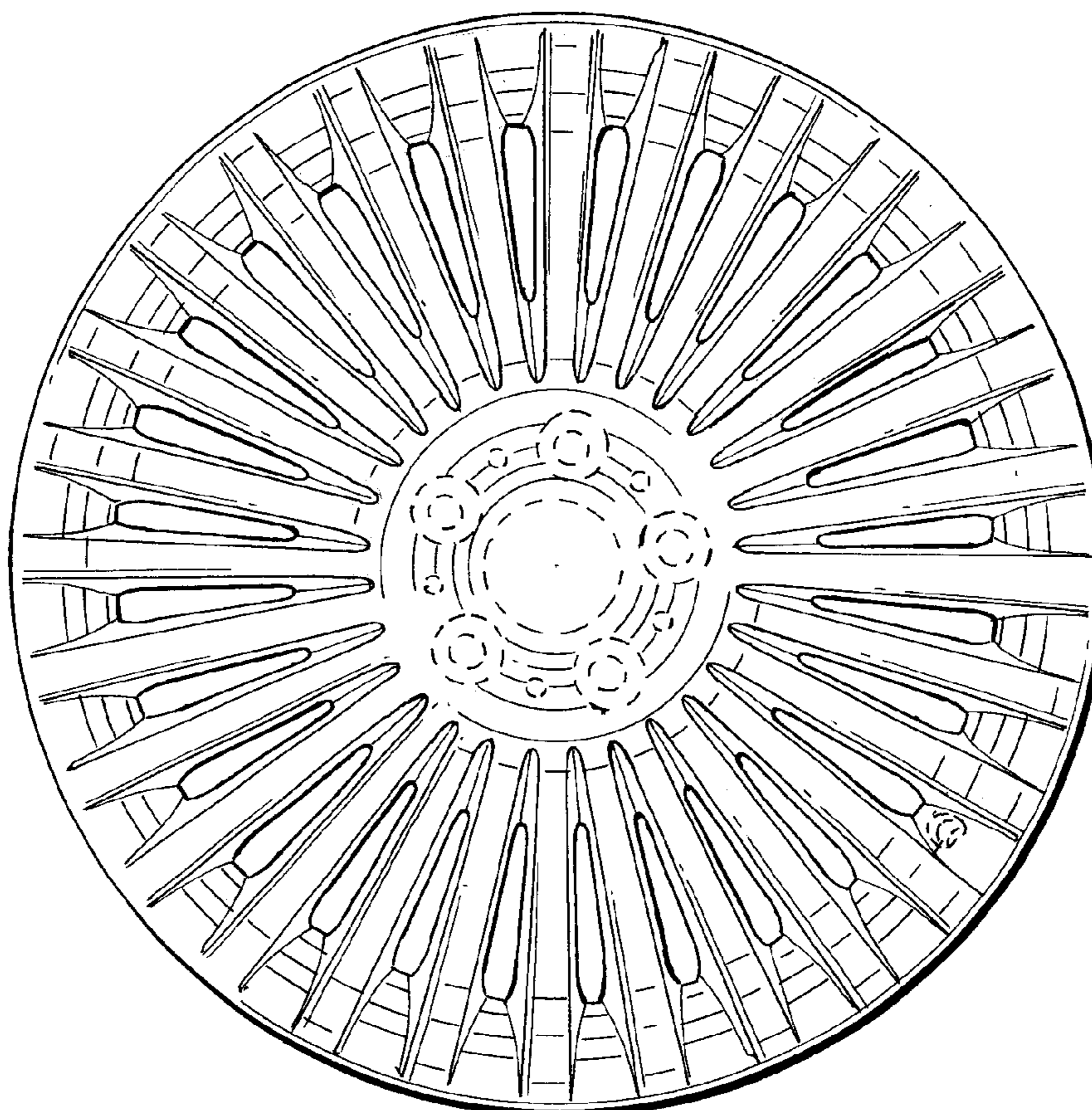
DESCRIPTION

FIG. 1 is a front view of a front face of a vehicle wheel
according to my novel design; and,

FIG. 2 is a perspective view of the front face of a vehicle
wheel according to my novel design.

The broken lines are for illustrative purposes only and form
no part of the claimed design.

1 Claim, 1 Drawing Sheet



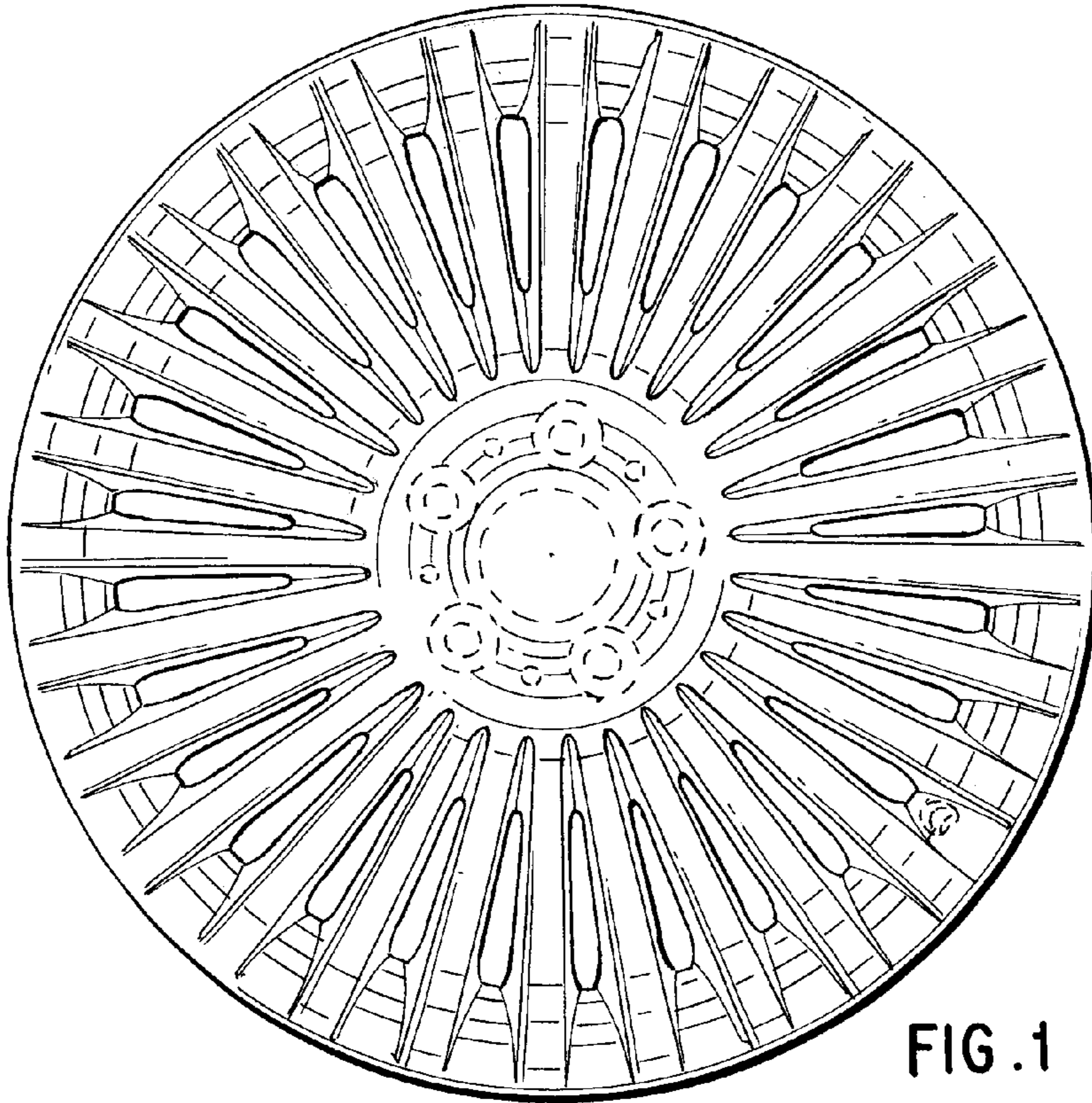


FIG. 1

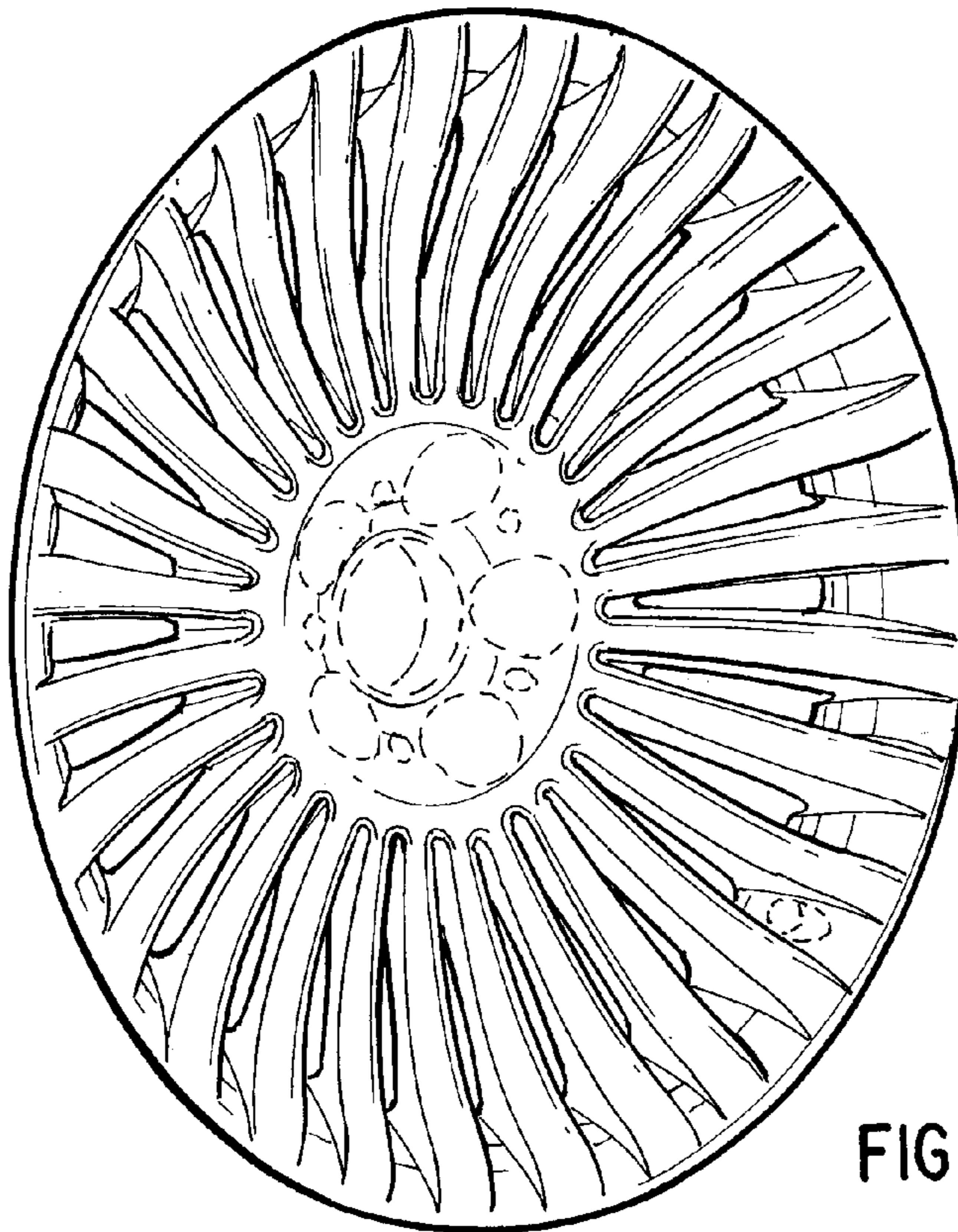


FIG. 2