



US00D516002S

(12) **United States Design Patent**  
**Fahr-Becker**

(10) **Patent No.: US D516,002 S**  
(45) **Date of Patent: \*\* Feb. 28, 2006**

(54) **FRONT FACE OF A VEHICLE WHEEL**

(75) **Inventor: Stephan Fahr-Becker, Munich (DE)**

(73) **Assignee: Bayerische Motoren Werke  
Aktiengesellschaft, Munich (DE)**

(\*\*) **Term: 14 Years**

(21) **Appl. No.: 29/211,178**

(22) **Filed: Aug. 12, 2004**

(30) **Foreign Application Priority Data**

Feb. 13, 2004 (DE) ..... 4 04 00 998

(51) **LOC (8) Cl. .... 12-16**

(52) **U.S. Cl. .... D12/211**

(58) **Field of Classification Search ..... D12/204-213;  
301/37.101, 64.101, 65**

See application file for complete search history.

(56) **References Cited**

**U.S. PATENT DOCUMENTS**

D402,251 S	*	12/1998	Timm	.....	D12/211
D405,749 S	*	2/1999	Kulla	.....	D12/211
D432,974 S	*	10/2000	Jablonski	.....	D12/211
D433,374 S	*	11/2000	Wang	.....	D12/209
D433,659 S	*	11/2000	Frizzi	.....	D12/211
D438,505 S	*	3/2001	McMath	.....	D12/211

D450,647 S	*	11/2001	Pfeiffer	.....	D12/211
D454,527 S	*	3/2002	Bhambra	.....	D12/209
D457,478 S	*	5/2002	Minamisawa	.....	D12/211
D487,881 S	*	3/2004	Laengerer	.....	D12/209
D488,420 S	*	4/2004	Murkett et al.	.....	D12/209
D491,871 S	*	6/2004	Kang	.....	D12/209
D492,235 S	*	6/2004	Nordmann	.....	D12/211
D503,668 S	*	4/2005	Boyer	.....	D12/209
D504,097 S	*	4/2005	Markefka	.....	D12/209
D504,100 S	*	4/2005	Pollmann	.....	D12/211
D504,381 S	*	4/2005	Rice	.....	D12/211

\* cited by examiner

*Primary Examiner*—Stacia Cadmus

(74) *Attorney, Agent, or Firm*—Crowell & Moring LLP

(57) **CLAIM**

The ornamental design for a front face of a vehicle wheel, as shown and described.

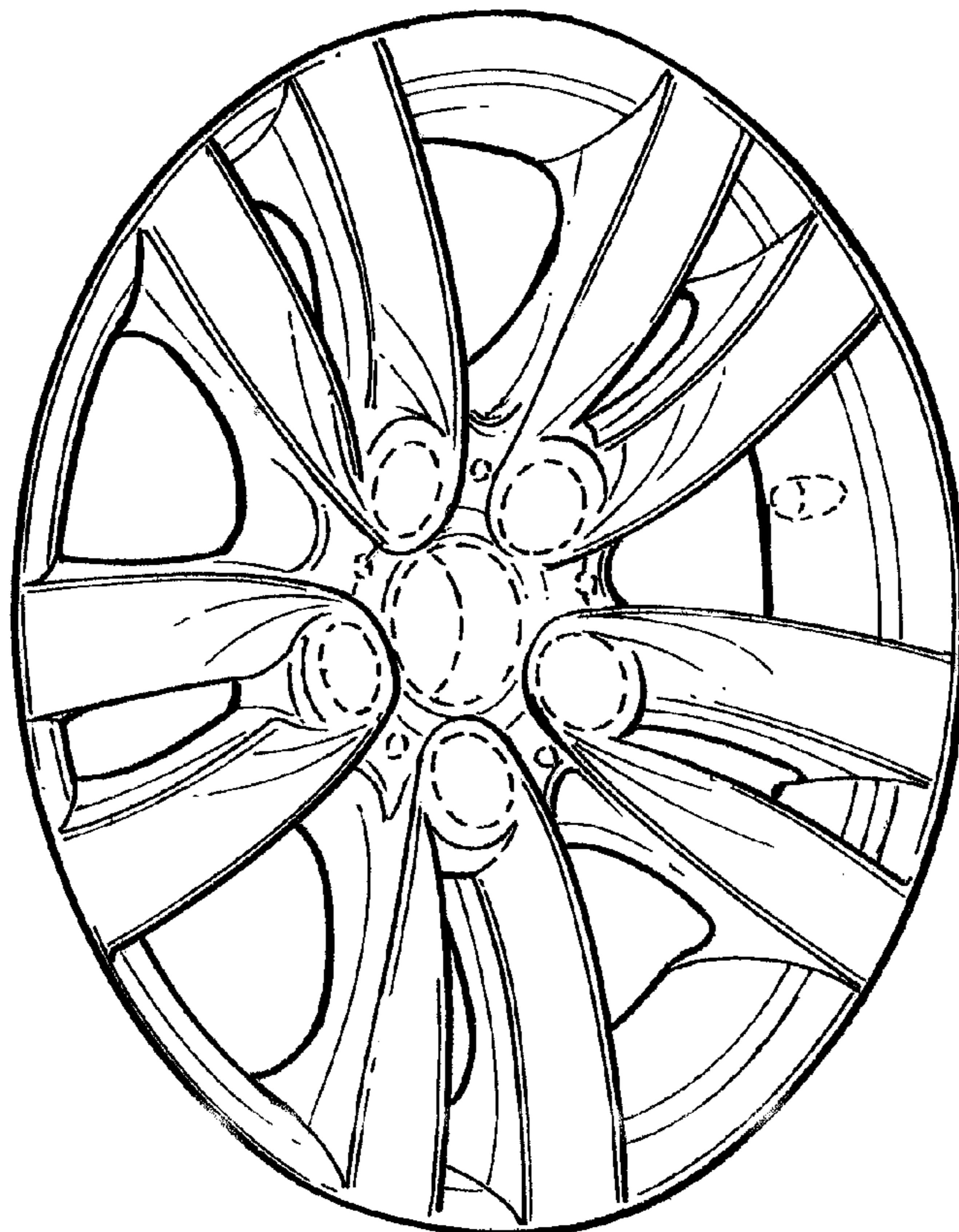
**DESCRIPTION**

FIG. 1 is a front view of a front face of a vehicle wheel according to my novel design; and,

FIG. 2 is a perspective view of the front face of a vehicle wheel according to my novel design.

The broken lines are for illustrative purposes only and form no part of the claimed design.

**1 Claim, 1 Drawing Sheet**



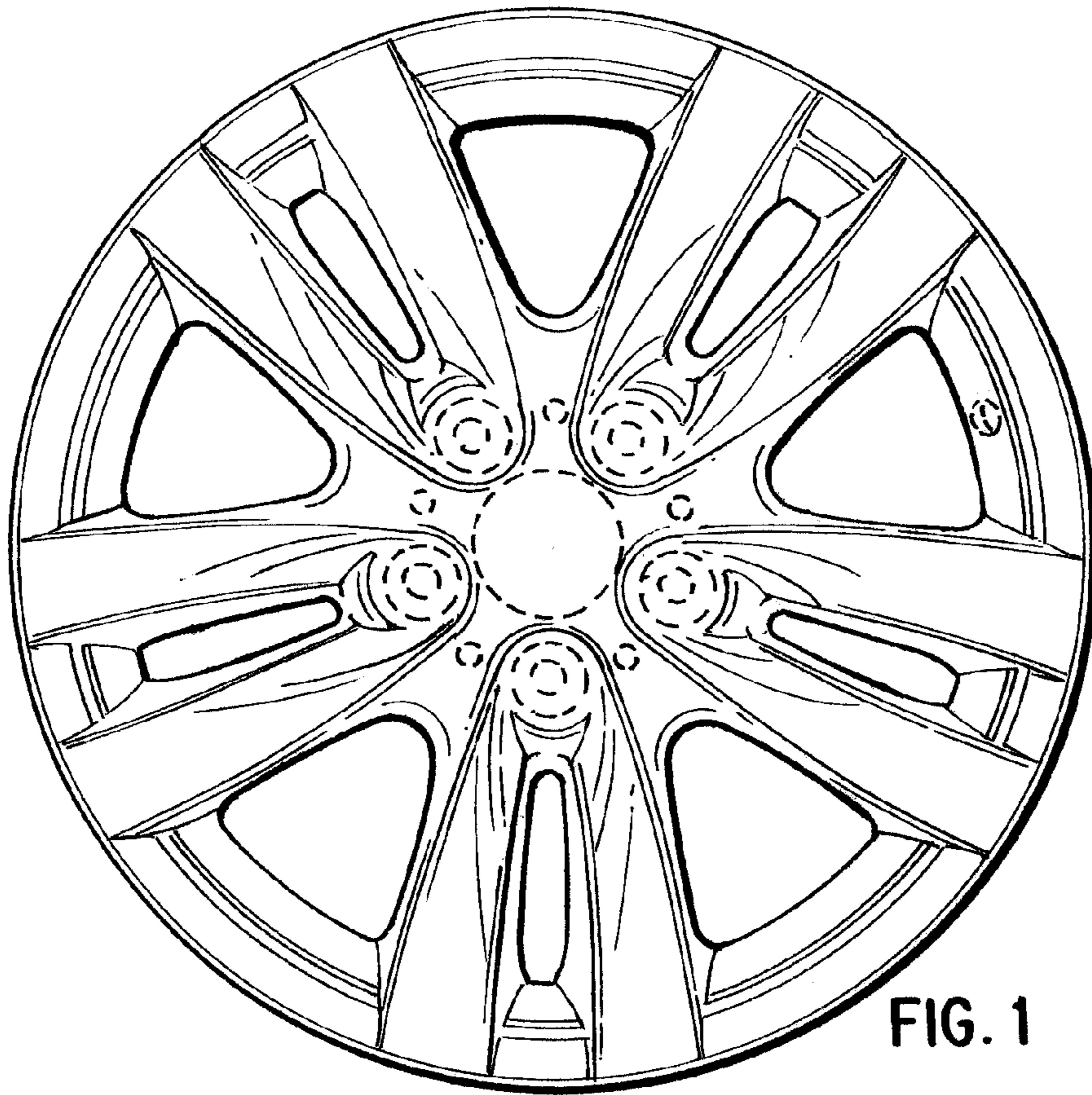


FIG. 1

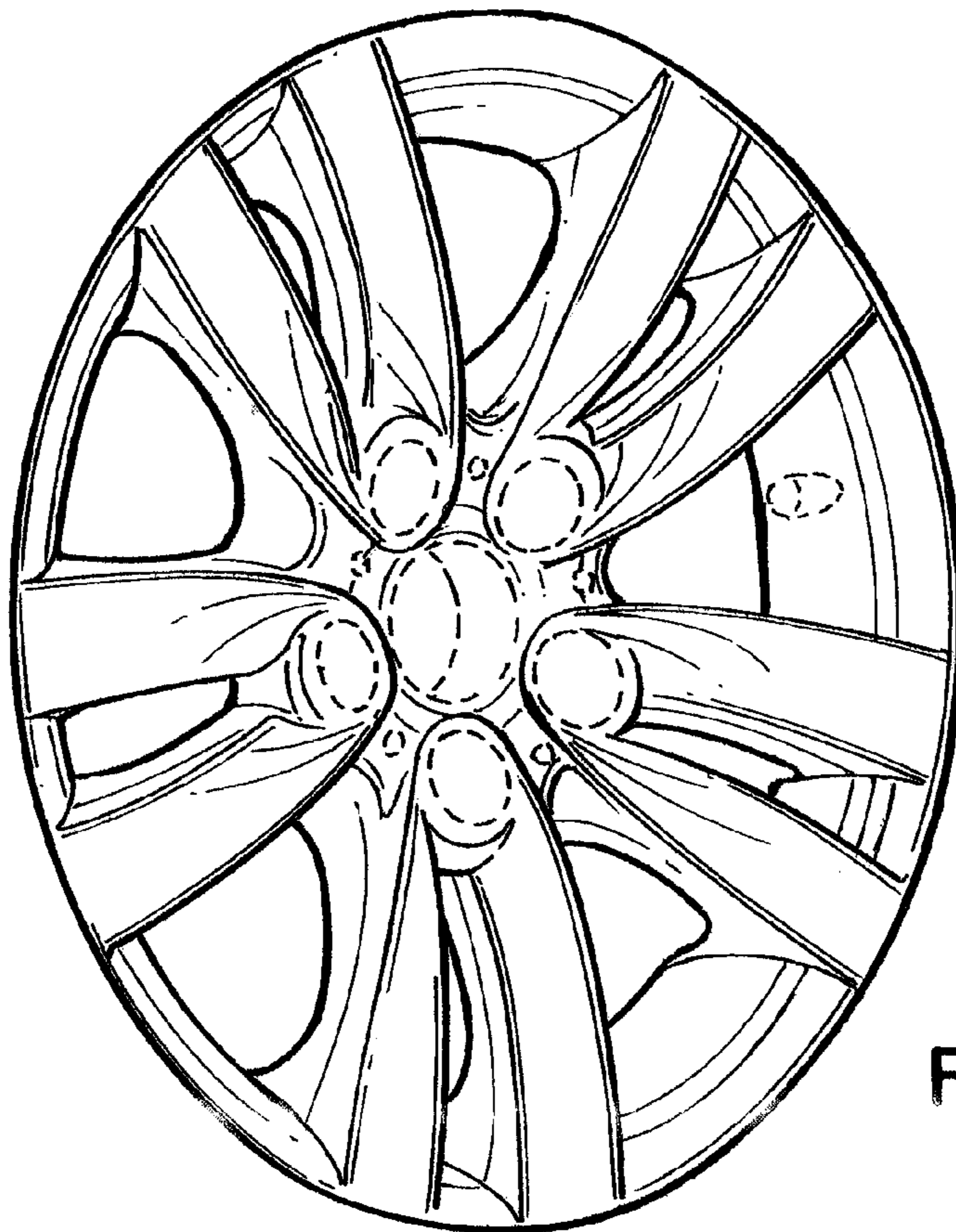


FIG. 2