



US00D515996S

(12) **United States Design Patent**  
**Baumgartner**

(10) **Patent No.:** **US D515,996 S**  
(45) **Date of Patent:** **\*\* Feb. 28, 2006**

(54) **VEHICLE WHEEL**  
(75) Inventor: **Heinrich Baumgartner**, Shiltach (DE)  
(73) Assignee: **BBS Kraftfahrzeugtechnik AG**,  
Schiltach (DE)  
(\*\*) Term: **14 Years**

D480,673 S \* 10/2003 Bhambra et al. .... D12/209  
D486,112 S \* 2/2004 Lecher ..... D12/211  
D492,238 S \* 6/2004 Bernoni ..... D12/211  
D495,985 S \* 9/2004 Lai ..... D12/209  
D497,339 S \* 10/2004 Heinrich ..... D12/209  
D497,869 S \* 11/2004 Guevara ..... D12/211

**FOREIGN PATENT DOCUMENTS**

JP HC 130066773 8/2001  
JP 2003-018970 1/2003

\* cited by examiner

(21) Appl. No.: **29/185,132**  
(22) Filed: **Jun. 23, 2003**

(51) **LOC (8) Cl.** ..... **12-16**  
(52) **U.S. Cl.** ..... **D12/209**  
(58) **Field of Classification Search** ..... D12/204-213;  
301/37.101, 64.101, 65  
See application file for complete search history.

*Primary Examiner*—Stacia Cadmus  
(74) *Attorney, Agent, or Firm*—Greenberg Traurig LLP

(57) **CLAIM**

The ornamental design for a vehicle wheel, as shown and described.

(56) **References Cited**

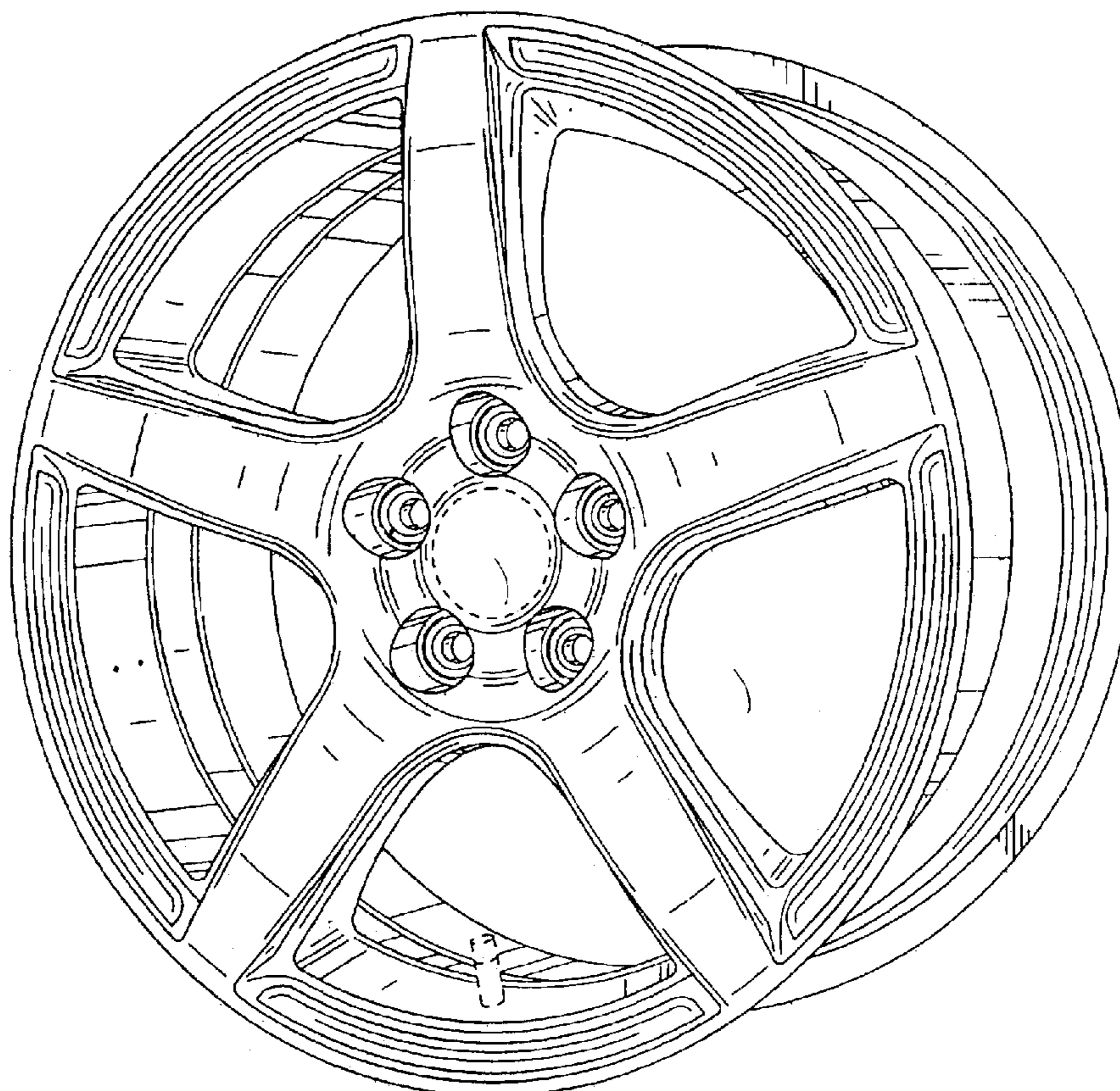
**U.S. PATENT DOCUMENTS**

D361,976 S \* 9/1995 Echazabal et al. .... D12/211  
D375,073 S \* 10/1996 Theiss ..... D12/209  
D412,149 S \* 7/1999 Corioni ..... D12/211  
D412,479 S \* 8/1999 Sacco et al. .... D12/209  
D428,845 S \* 8/2000 Yoshida et al. .... D12/211  
D451,458 S \* 12/2001 Sacco et al. .... D12/209  
D458,208 S \* 6/2002 Hartl ..... D12/211  
D462,309 S \* 9/2002 Hieke ..... D12/211  
D478,031 S \* 8/2003 Brown et al. .... D12/211  
D480,037 S \* 9/2003 Takechi ..... D12/211

**DESCRIPTION**

FIG. 1 is a side perspective view of the vehicle wheel according to the invention, showing my new ornamental design; and,  
FIG. 2 is a front elevation view thereof.  
The side and rear of the wheel not shown in the drawings do not comprise part of the claimed design. The broken line showing of the valve stem and center cap are for illustrative purposes only and form not part of the claimed design.

**1 Claim, 2 Drawing Sheets**



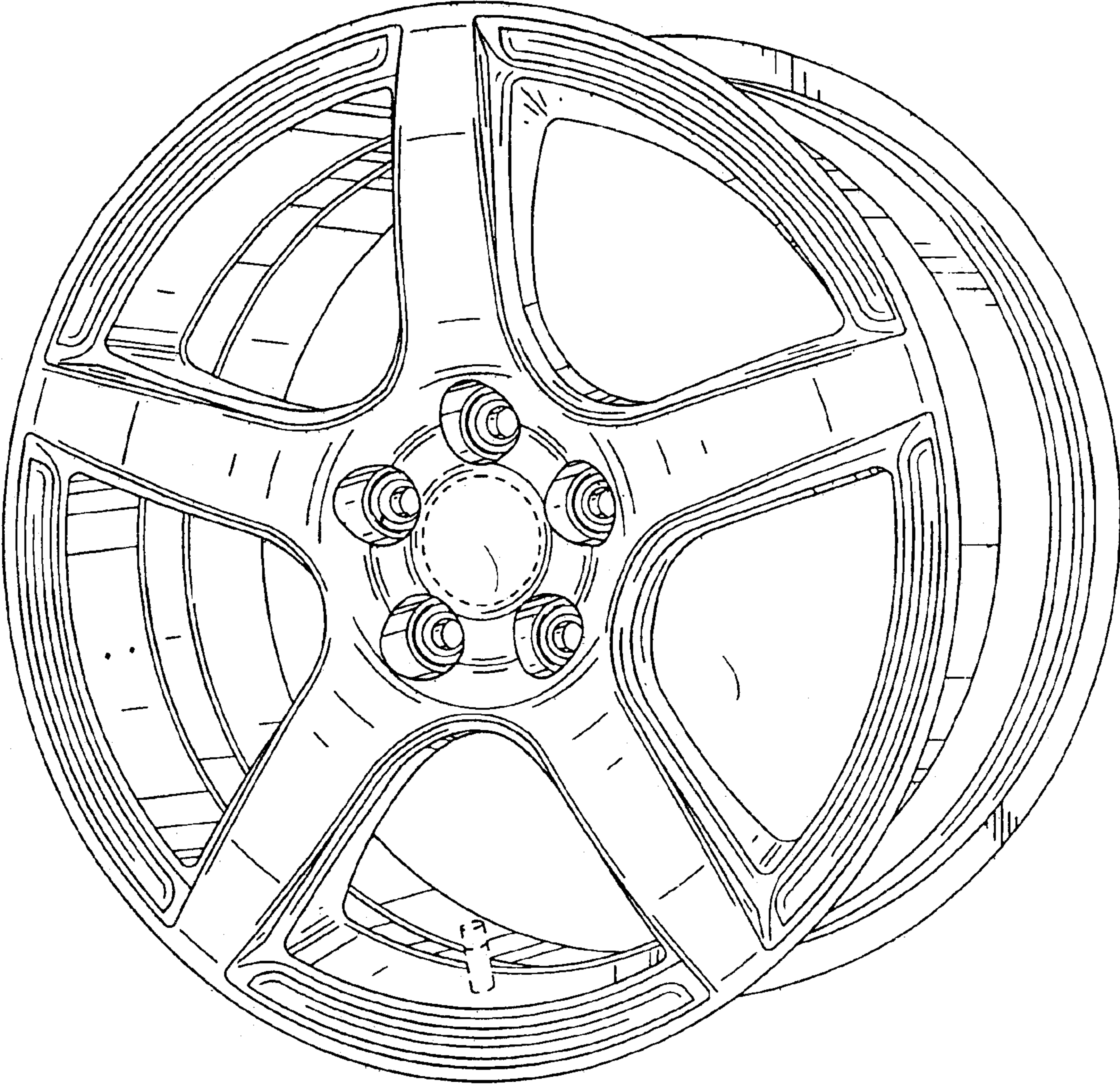


FIG. 1

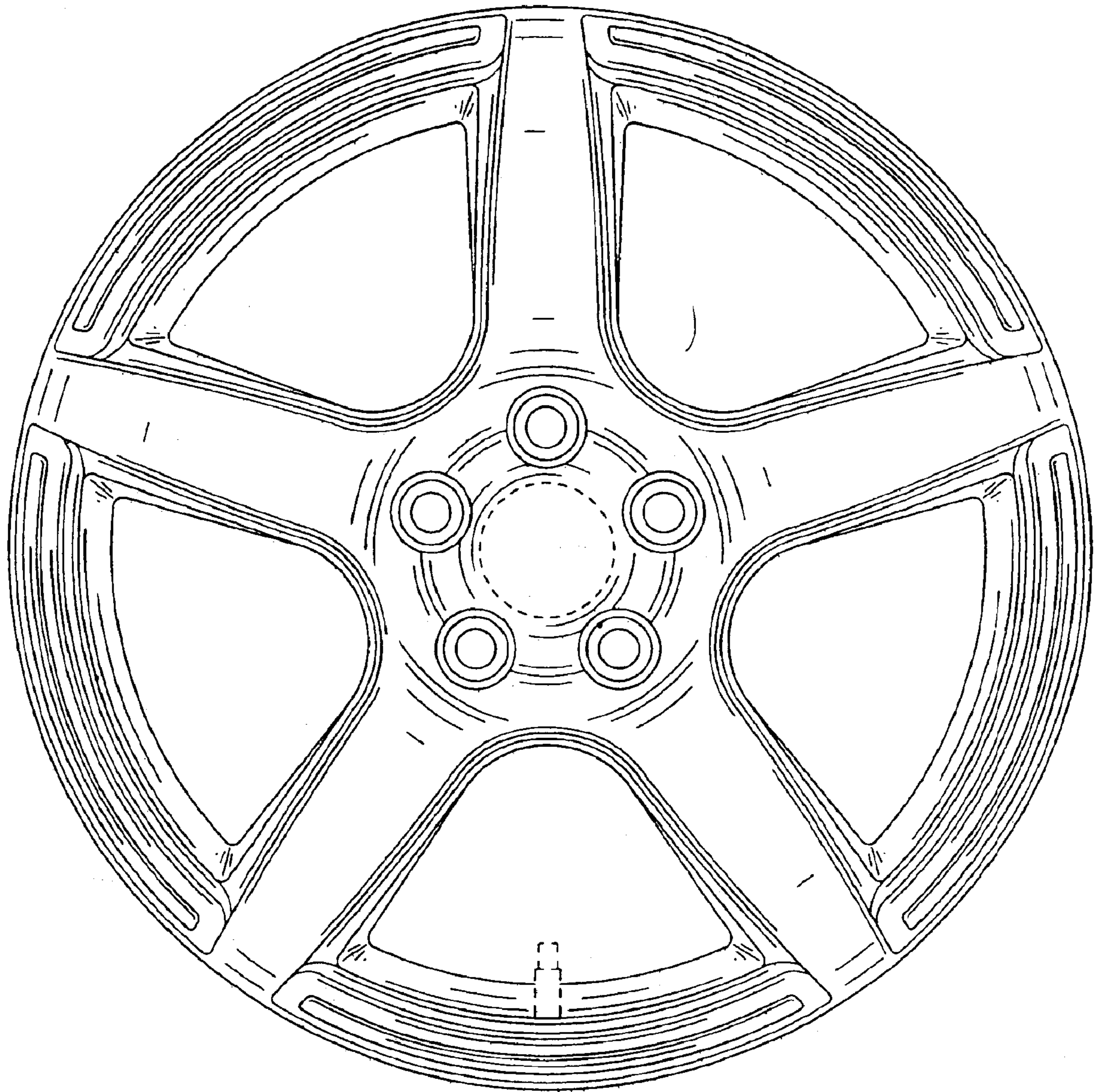


FIG. 2