



US00D515995S

(12) **United States Design Patent** (10) **Patent No.:** **US D515,995 S**  
**Rodriguez** (45) **Date of Patent:** **\*\* Feb. 28, 2006**

(54) **REAR PANEL FOR A CARGO VAN**

*Primary Examiner*—Melody N. Brown

(76) Inventor: **Roman D. Rodriguez**, 1950 Camino del la Reina, San Diego, CA (US) 92180

(74) *Attorney, Agent, or Firm*—Charles C. Logan, II

(\*\*) Term: **14 Years**

(57) **CLAIM**

The ornamental design for a rear panel for a cargo van, as shown and described.

(21) Appl. No.: **29/201,737**

(22) Filed: **Mar. 22, 2004**

(51) **LOC (8) Cl.** ..... **12-16**

(52) **U.S. Cl.** ..... **D12/196**

(58) **Field of Classification Search** ..... D12/196, D12/86, 90–92, 99; 296/181.1, 21, 24.3, 296/24.43

See application file for complete search history.

**DESCRIPTION**

FIG. 1 is a front elevation view of the rear panel for a cargo van;  
 FIG. 2 is a left side elevation view thereof;  
 FIG. 3 is a right side elevation view thereof;  
 FIG. 4 is a top plan view thereof;  
 FIG. 5 is a bottom plan view thereof;  
 FIG. 6 is a front elevation view of a first embodiment of the rear panel for a cargo van;  
 FIG. 7 is a left side elevation view FIG. 6;  
 FIG. 8 is a right side elevation view FIG. 6;  
 FIG. 9 is a top plan view FIG. 6;  
 FIG. 10 is a bottom plan view FIG. 6;  
 FIG. 11 is a second embodiment of the rear panel for a cargo van;  
 FIG. 12 is a left side elevation view FIG. 11;  
 FIG. 13 is a right side elevation view FIG. 11;  
 FIG. 14 is a top plan view FIG. 11; and,  
 FIG. 15 is a bottom plan view FIG. 11.  
 The broken lines in FIGS. 1, 6 and 11 are for illustrative purpose only and form no part of the claimed design.

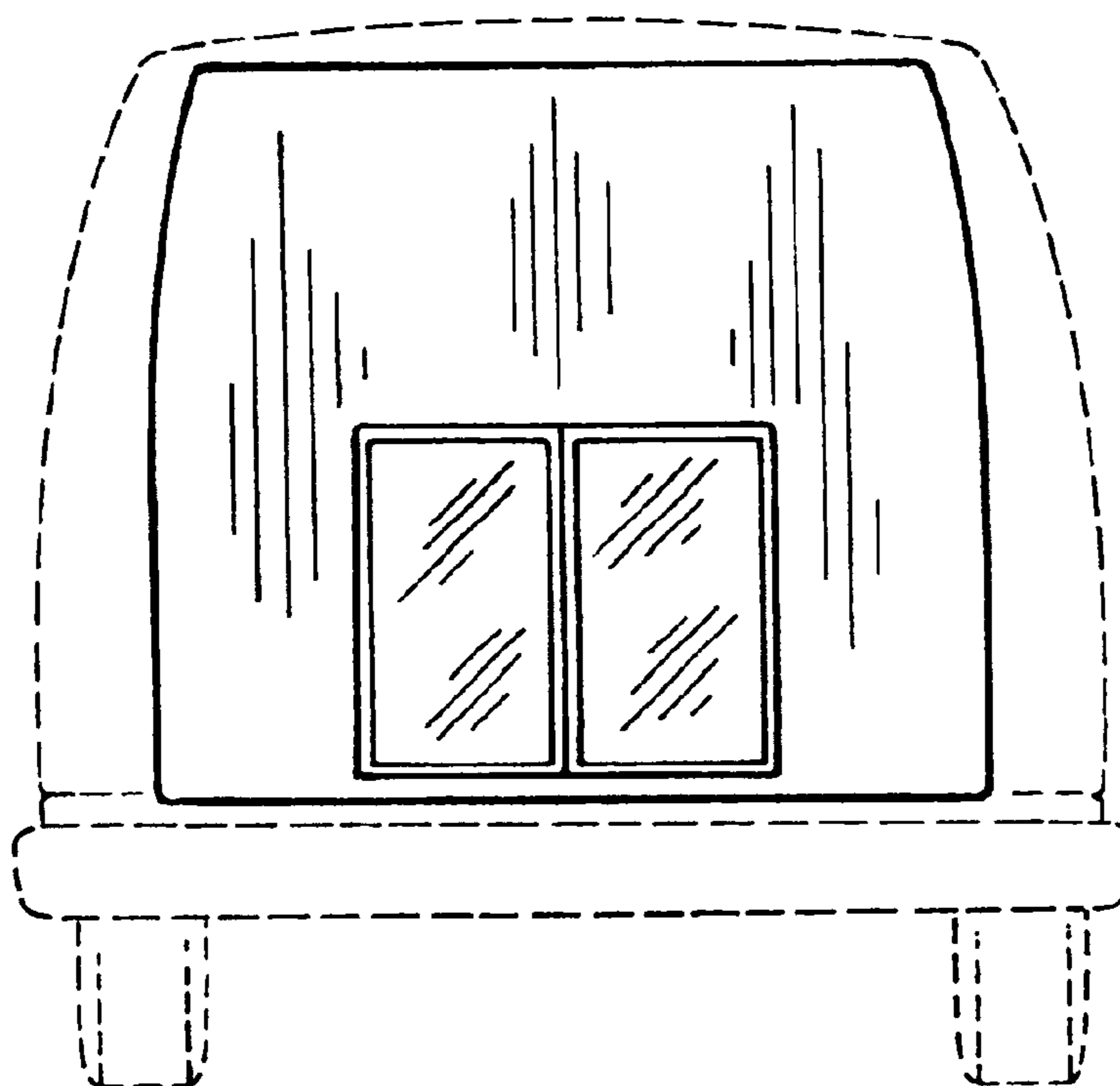
(56) **References Cited**

**U.S. PATENT DOCUMENTS**

D255,028 S	*	5/1980	Collins	.....	D12/196
D268,259 S	*	3/1983	Lindsley	.....	D12/196
D268,749 S	*	4/1983	SorBello	.....	D12/196
4,616,870 A	*	10/1986	Halden	.....	296/21
D316,531 S	*	4/1991	Karapetian	.....	D12/99
5,897,158 A	*	4/1999	Henke et al.	.....	296/24.3
D410,415 S	*	6/1999	Schroeder	.....	D12/99
D426,493 S	*	6/2000	Mertins et al.	.....	D12/93
D445,747 S	*	7/2001	Martin et al.	.....	D12/196
D463,767 S	*	10/2002	Sehgal et al.	.....	D12/196
D466,458 S	*	12/2002	Murkett	.....	D12/196
D495,984 S	*	9/2004	Metros et al.	.....	D12/196
D508,004 S	*	8/2005	Metros et al.	.....	D12/196

\* cited by examiner

**1 Claim, 3 Drawing Sheets**



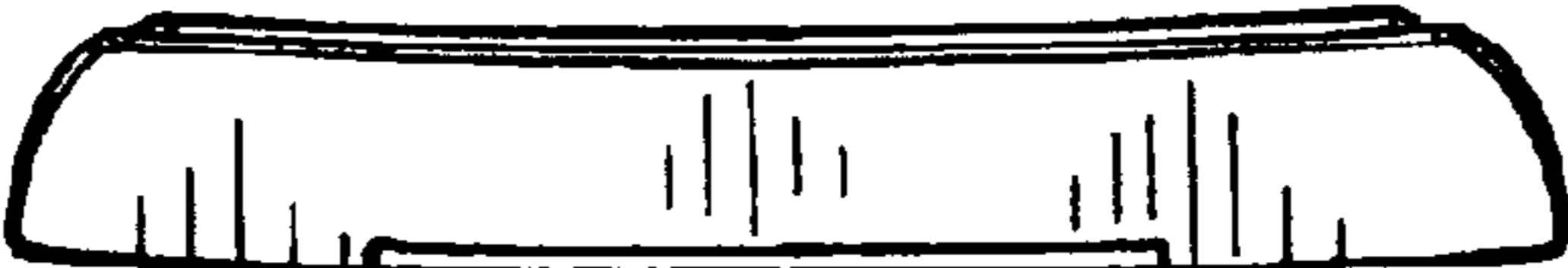


FIG. 4

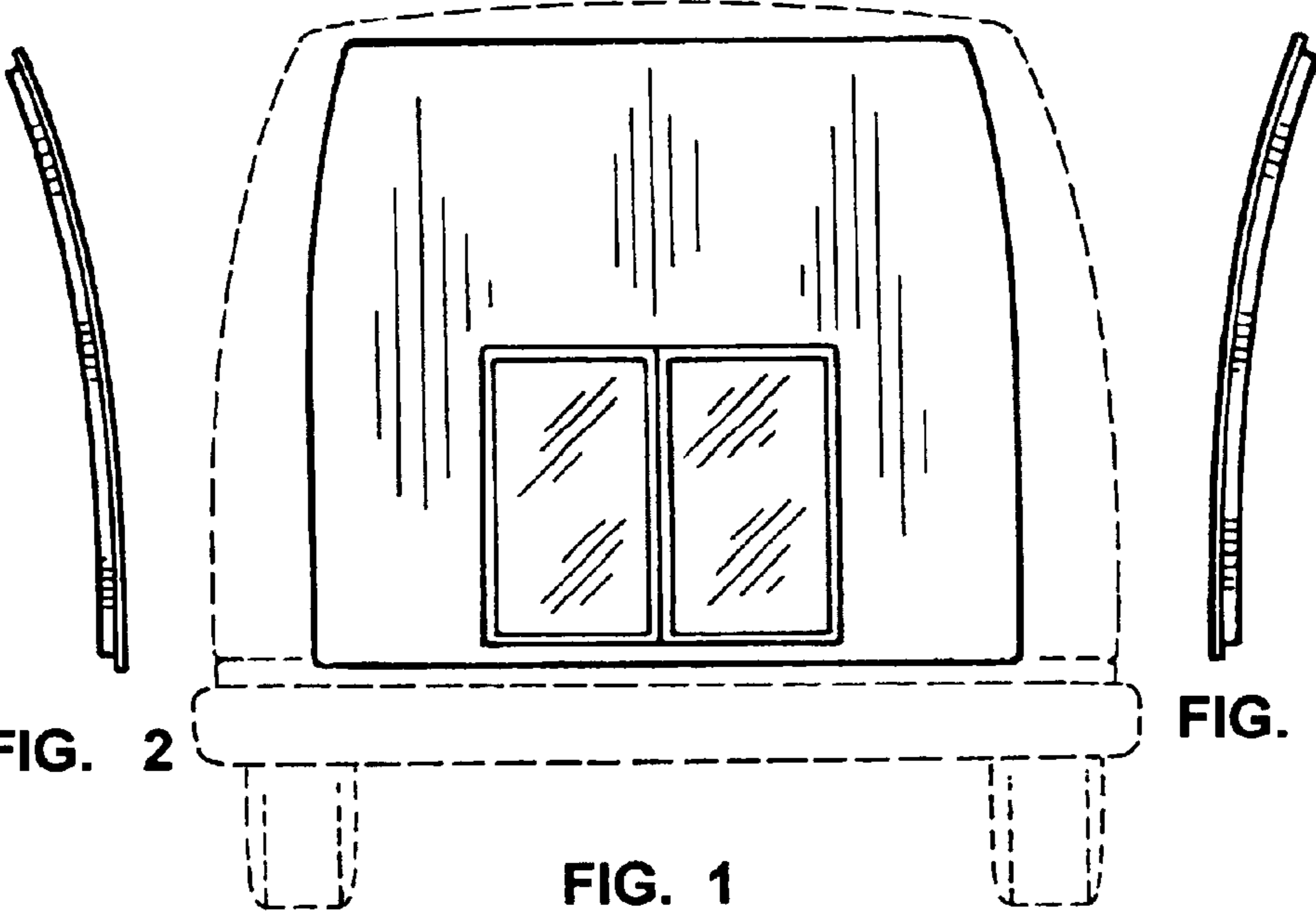


FIG. 2

FIG. 3

FIG. 1

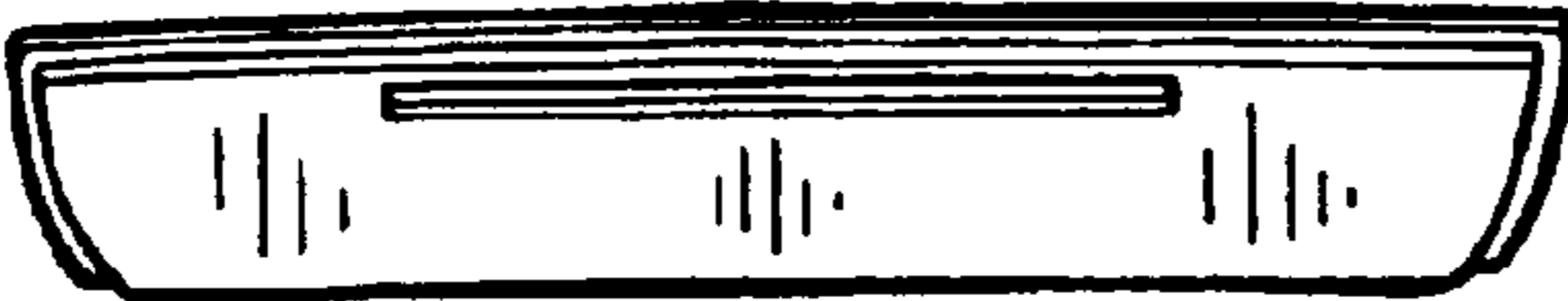


FIG. 5

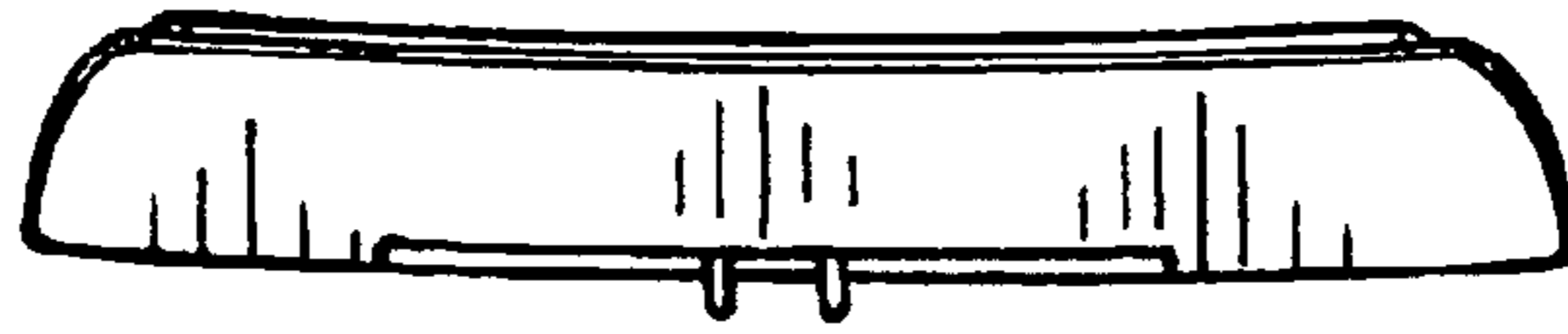


FIG. 9

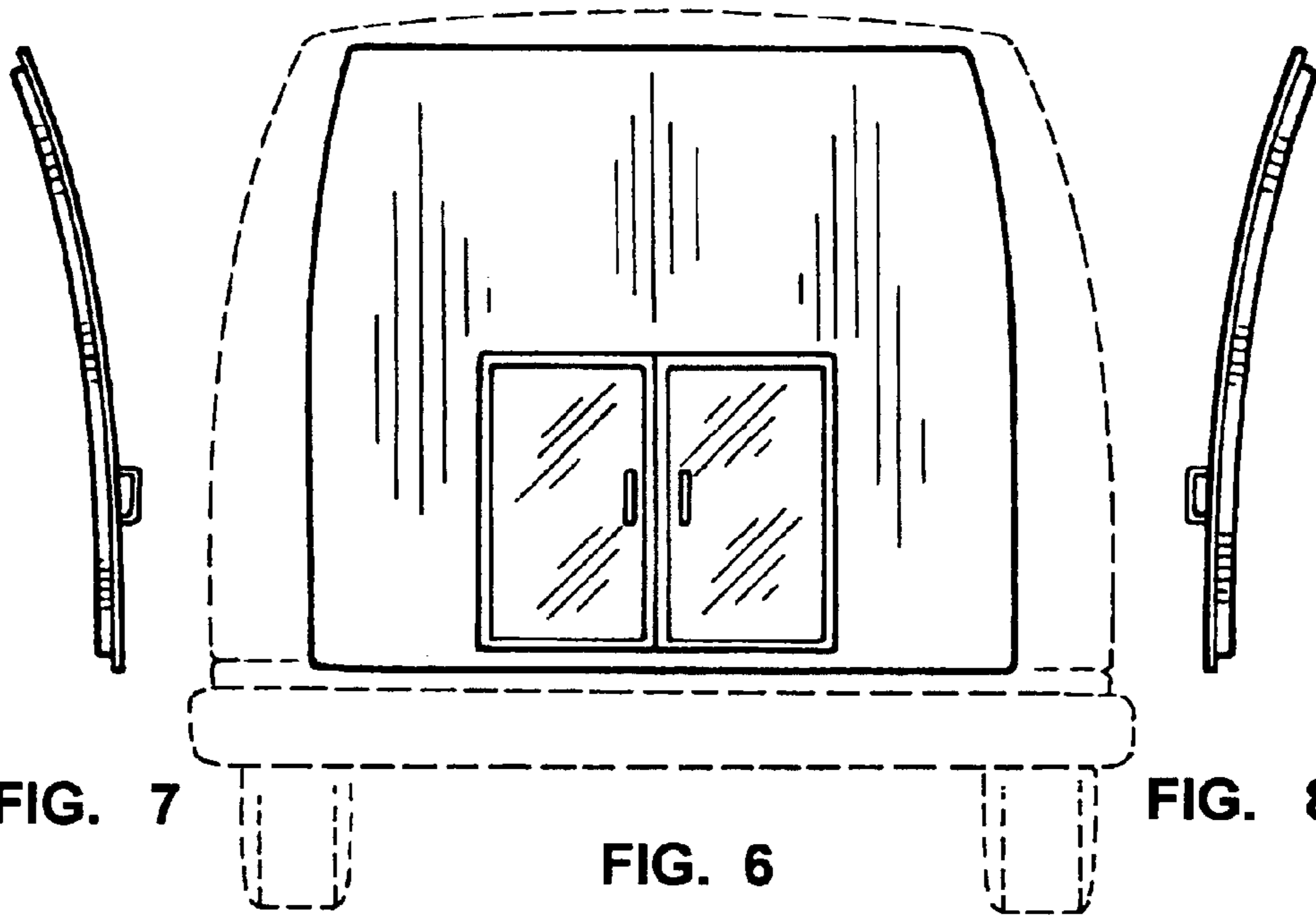


FIG. 7

FIG. 6

FIG. 8



FIG. 10

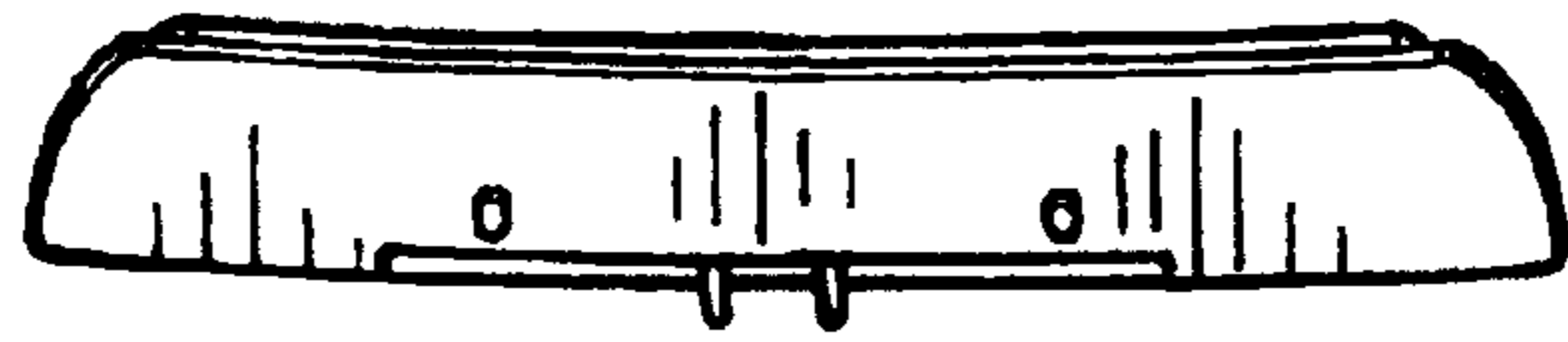


Fig. 14

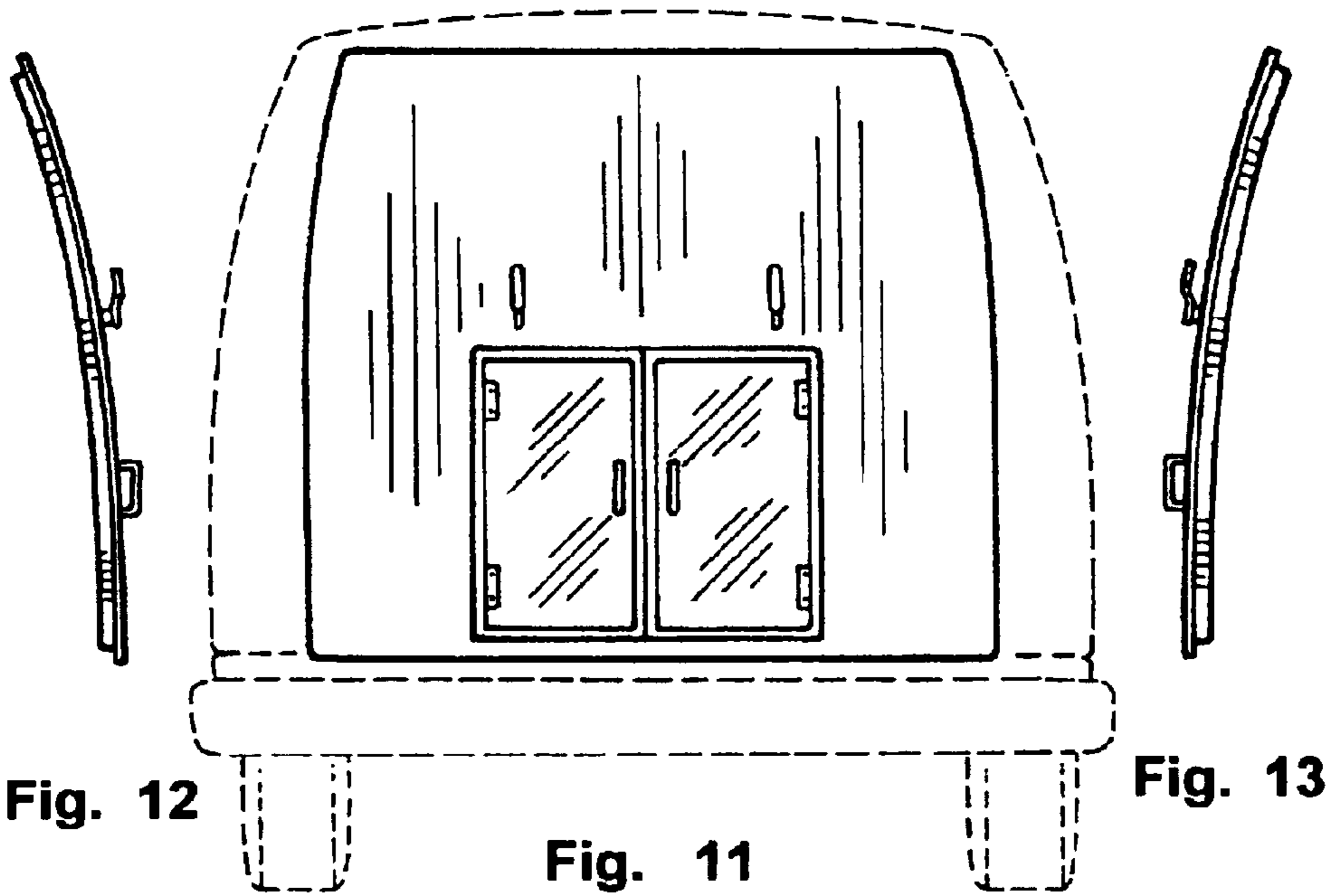


Fig. 12

Fig. 11

Fig. 13

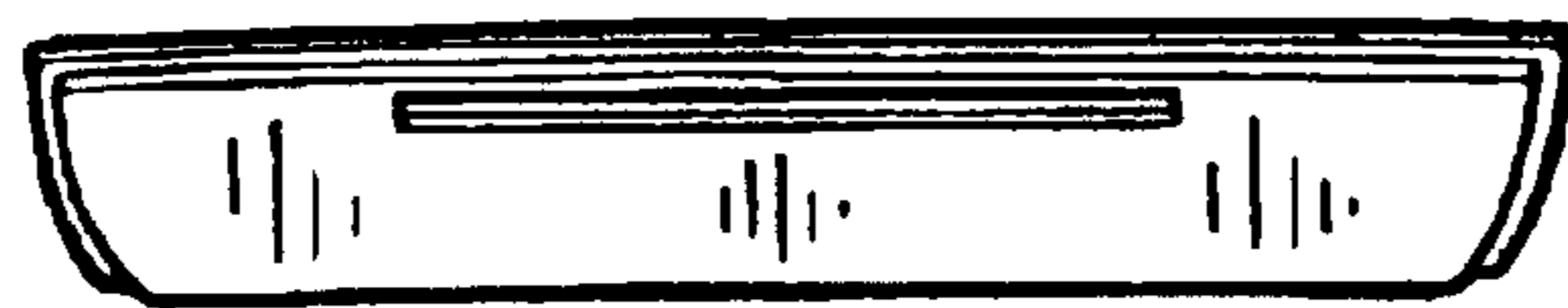


Fig. 15