



US00D515994S

(12) **United States Design Patent**
Moruzzi

(10) **Patent No.:** **US D515,994 S**
(45) **Date of Patent:** **** Feb. 28, 2006**

(54) **FRONT BUMPER FOR A CAR**
(75) Inventor: **Patrizio Moruzzi**, Bologna (IT)
(73) Assignee: **Ferrari S.p.A.**, Modena (IT)
(**) Term: **14 Years**

D411,138 S * 6/1999 Ramaciotti D12/92
D419,938 S * 2/2000 Sacco et al. D12/169
D437,812 S * 2/2001 Lai D12/169
D447,725 S * 9/2001 Hatter D12/169
D469,387 S * 1/2003 Ramaciotti D12/92

* cited by examiner

(21) Appl. No.: **29/223,355**
(22) Filed: **Feb. 11, 2005**

Primary Examiner—Melody N. Brown
(74) *Attorney, Agent, or Firm*—Cowan, Liebowitz & Latman, P.C.

(30) **Foreign Application Priority Data**

Aug. 16, 2004 (EM) 000216650

(51) **LOC (8) Cl.** **12-16**

(52) **U.S. Cl.** **D12/169**

(58) **Field of Classification Search** D12/90–92,
D12/86, 169, 196, 163; 296/180.1, 180.2;
293/102, 113, 115, 117, 120

See application file for complete search history.

(57) **CLAIM**

The ornamental design for a front bumper for a car, as shown and described.

DESCRIPTION

FIG. 1 is a front perspective view of the front bumper for a car showing my design thereof;
FIG. 2 is a front view thereof;
FIG. 3 is a left side view thereof;
FIG. 4 is a right side view thereof;
FIG. 5 is a rear view thereof;
FIG. 6 is a top view thereof; and,
FIG. 7 is a bottom view thereof.

(56) **References Cited**

U.S. PATENT DOCUMENTS

D392,606 S * 3/1998 Kulla et al. D12/169
D409,126 S * 5/1999 Hoyle, Jr. D12/169

1 Claim, 2 Drawing Sheets

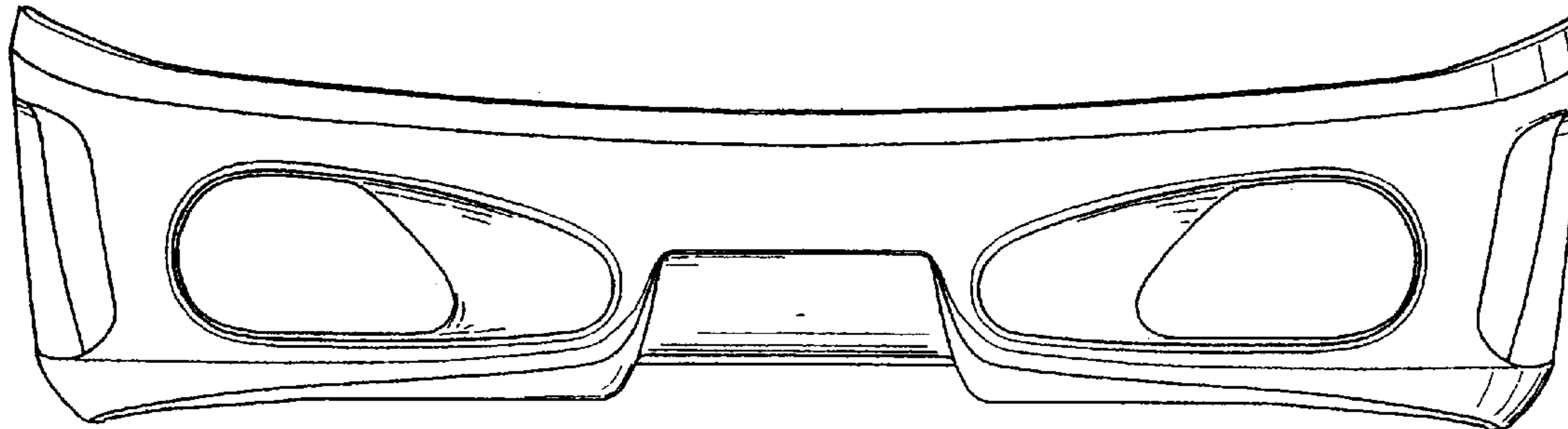


Fig. 1

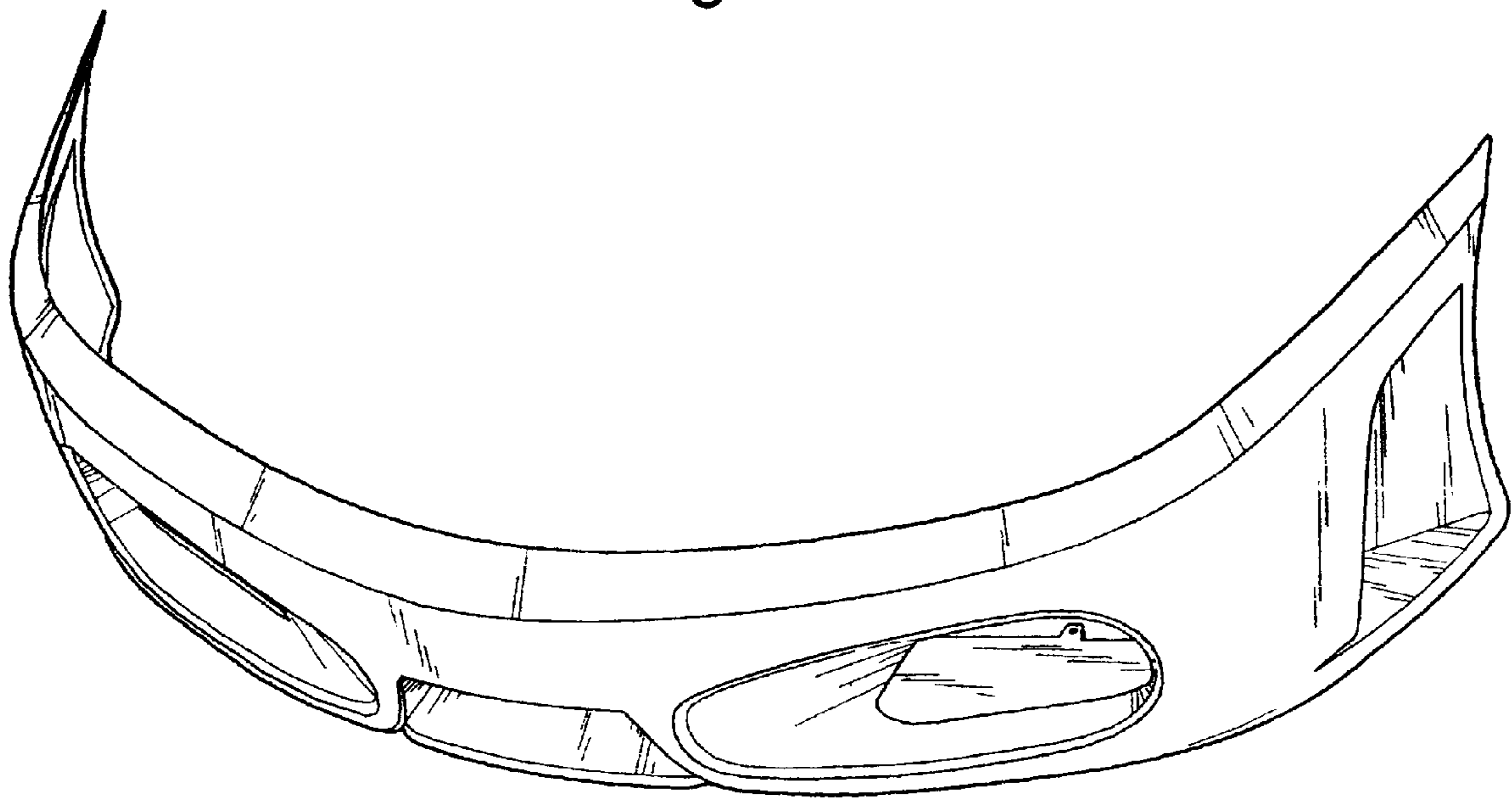


Fig. 2

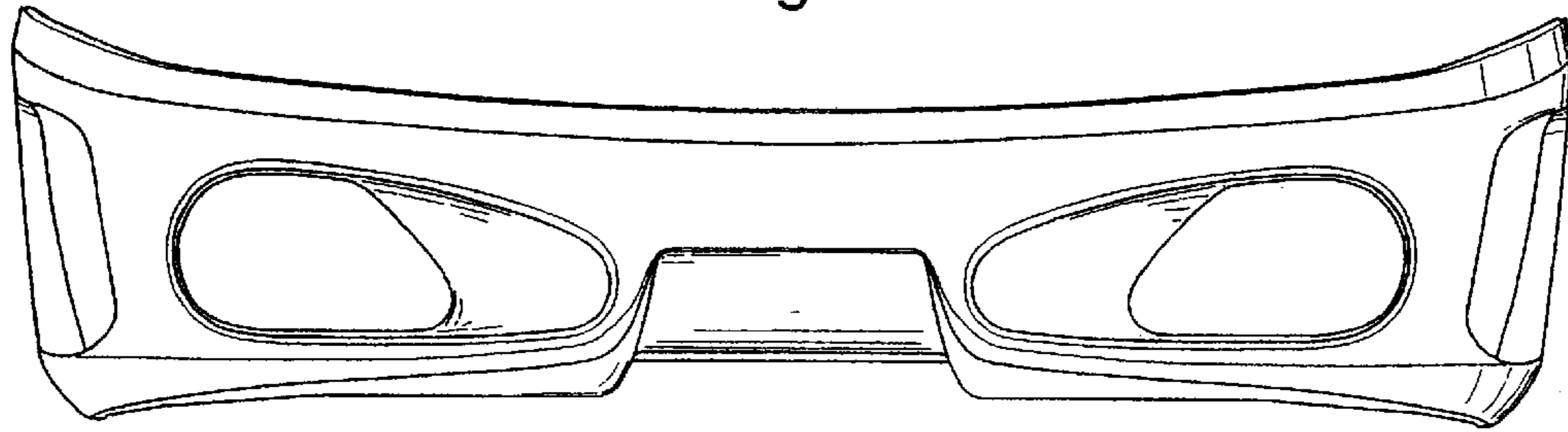


Fig. 5

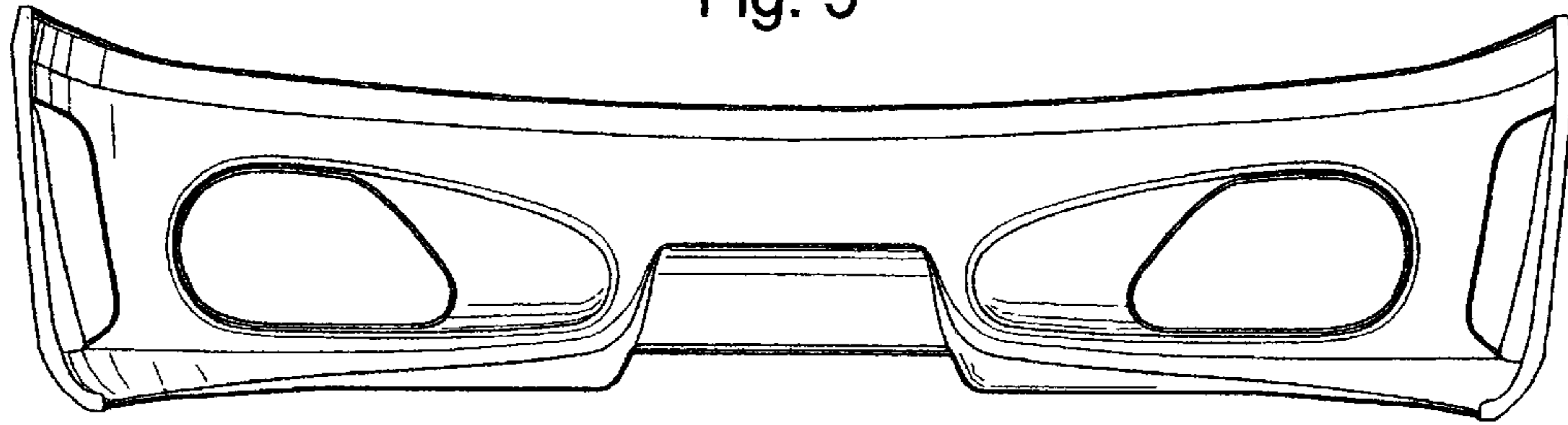


Fig. 6

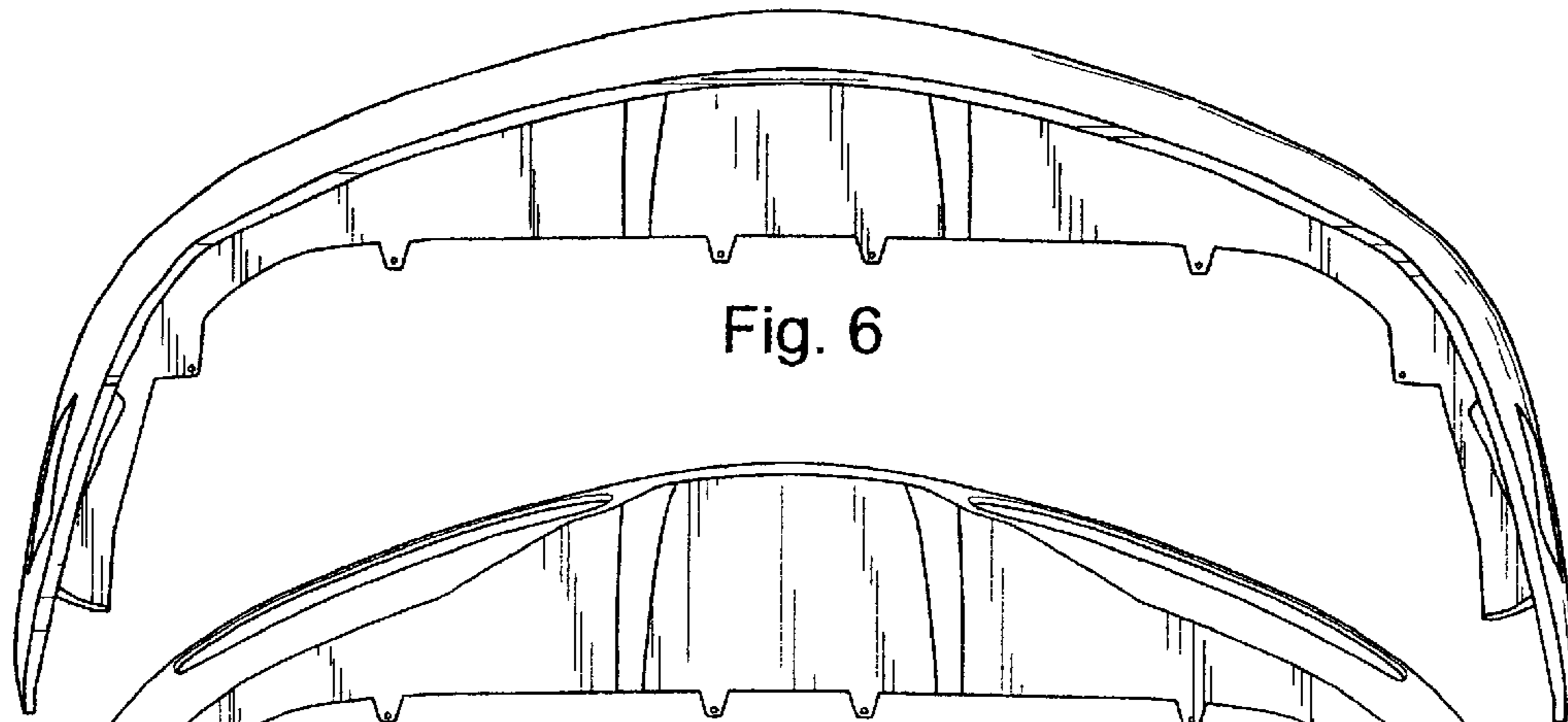


Fig. 7

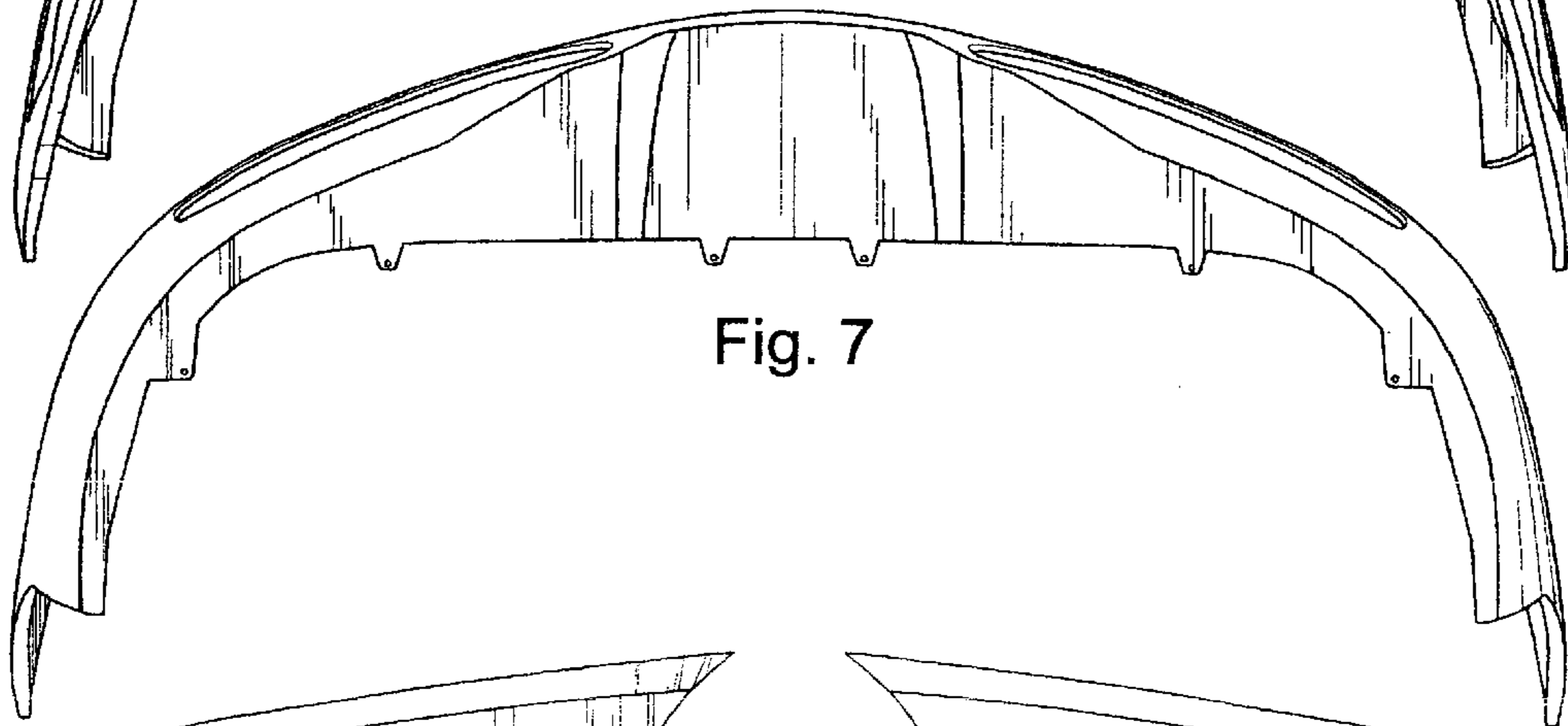


Fig. 3

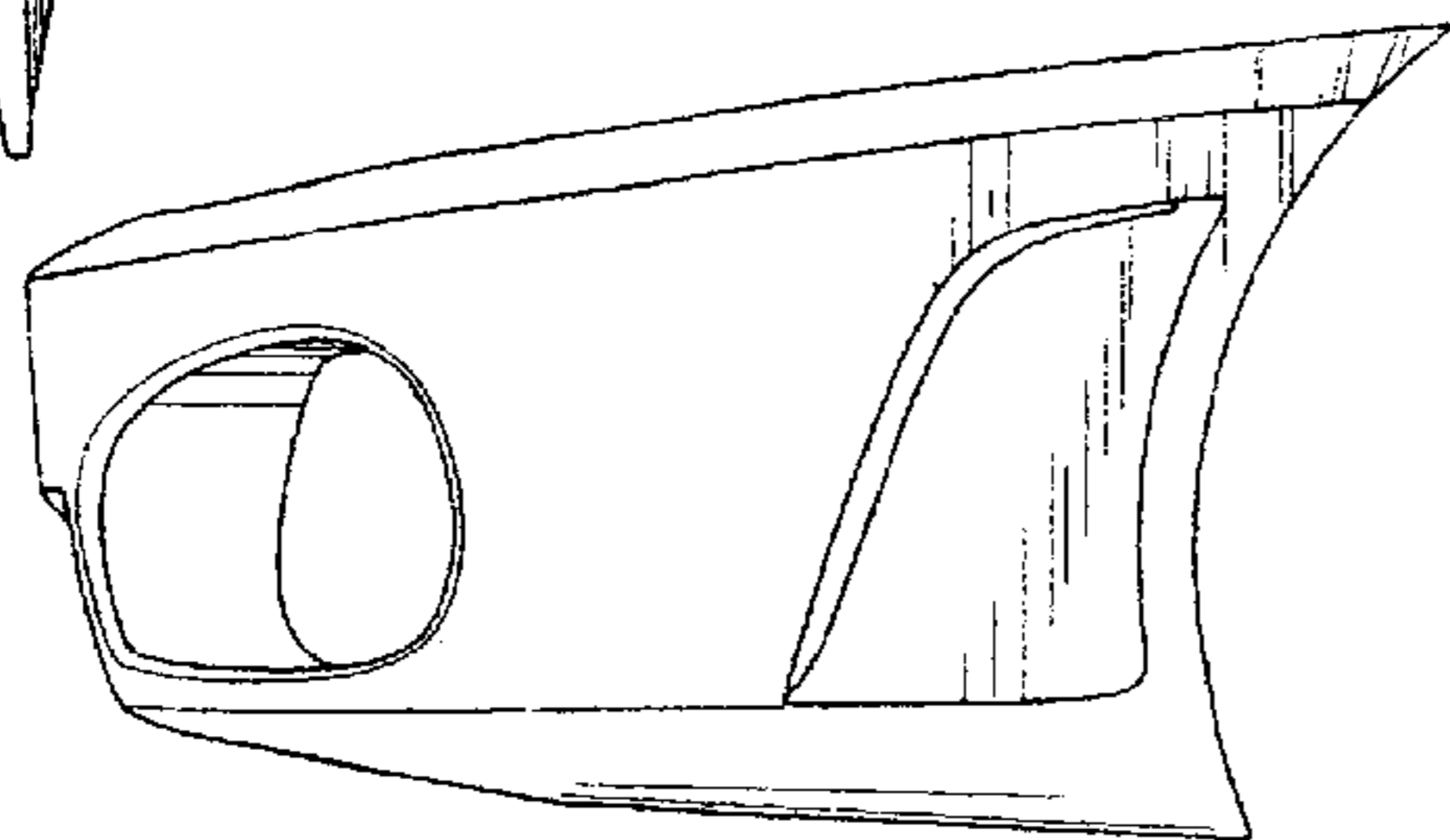


Fig. 4

