



US00D515993S

(12) **United States Design Patent**  
**Moruzzi**

(10) **Patent No.:** **US D515,993 S**

(45) **Date of Patent:** **\*\* Feb. 28, 2006**

(54) **REAR BUMPER FOR A CAR**

D443,236 S \* 6/2001 Pfeiffer ..... D12/169  
D443,568 S \* 6/2001 Pfeiffer ..... D12/169  
D459,280 S \* 6/2002 Sinkwitz ..... D12/169

(75) Inventor: **Patrizio Moruzzi**, Bologna (IT)

\* cited by examiner

(73) Assignee: **Ferri S.p.A.**, Modena (IT)

*Primary Examiner*—Melody N. Brown

(\*\*) Term: **14 Years**

(74) *Attorney, Agent, or Firm*—Cowan, Liebowitz & Latman, P.C.

(21) Appl. No.: **29/223,233**

(22) Filed: **Feb. 11, 2005**

(57) **CLAIM**

(30) **Foreign Application Priority Data**

The ornamental design for a rear bumper for a car, as shown and described.

Aug. 16, 2004 (EM) ..... 000216650

**DESCRIPTION**

(51) **LOC (8) Cl.** ..... **12-16**

FIG. 1 is a front perspective view of the rear bumper for a car showing my design thereof;

(52) **U.S. Cl.** ..... **D12/169**

FIG. 2 is a front view thereof;

(58) **Field of Classification Search** ..... D12/90-92,

FIG. 3 is a right side view thereof;

D12/86, 169, 196, 163; 296/180.1, 180.2;

FIG. 4 is a left side view thereof;

293/102, 113, 115, 117, 120

FIG. 5 is a rear view thereof;

See application file for complete search history.

FIG. 6 is a top view thereof; and,

FIG. 7 is a bottom view thereof.

(56) **References Cited**

**U.S. PATENT DOCUMENTS**

**1 Claim, 2 Drawing Sheets**

D426,799 S \* 6/2000 Fink ..... D12/169

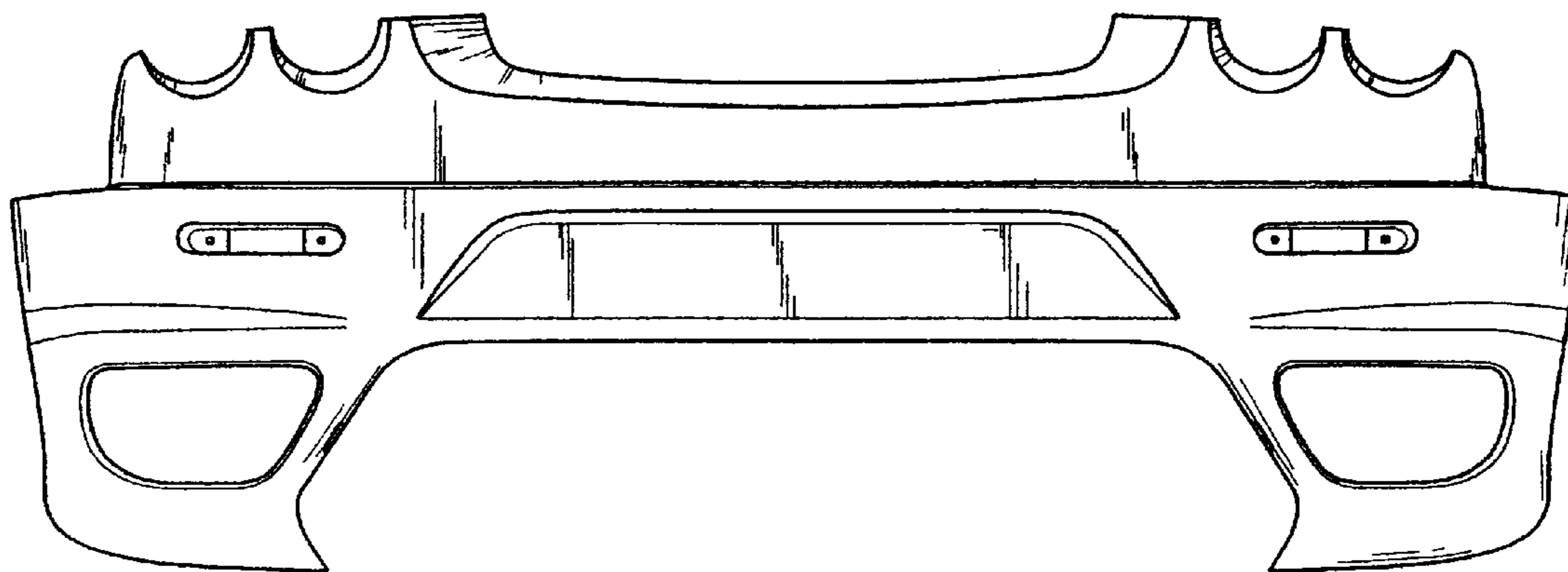


Fig. 1

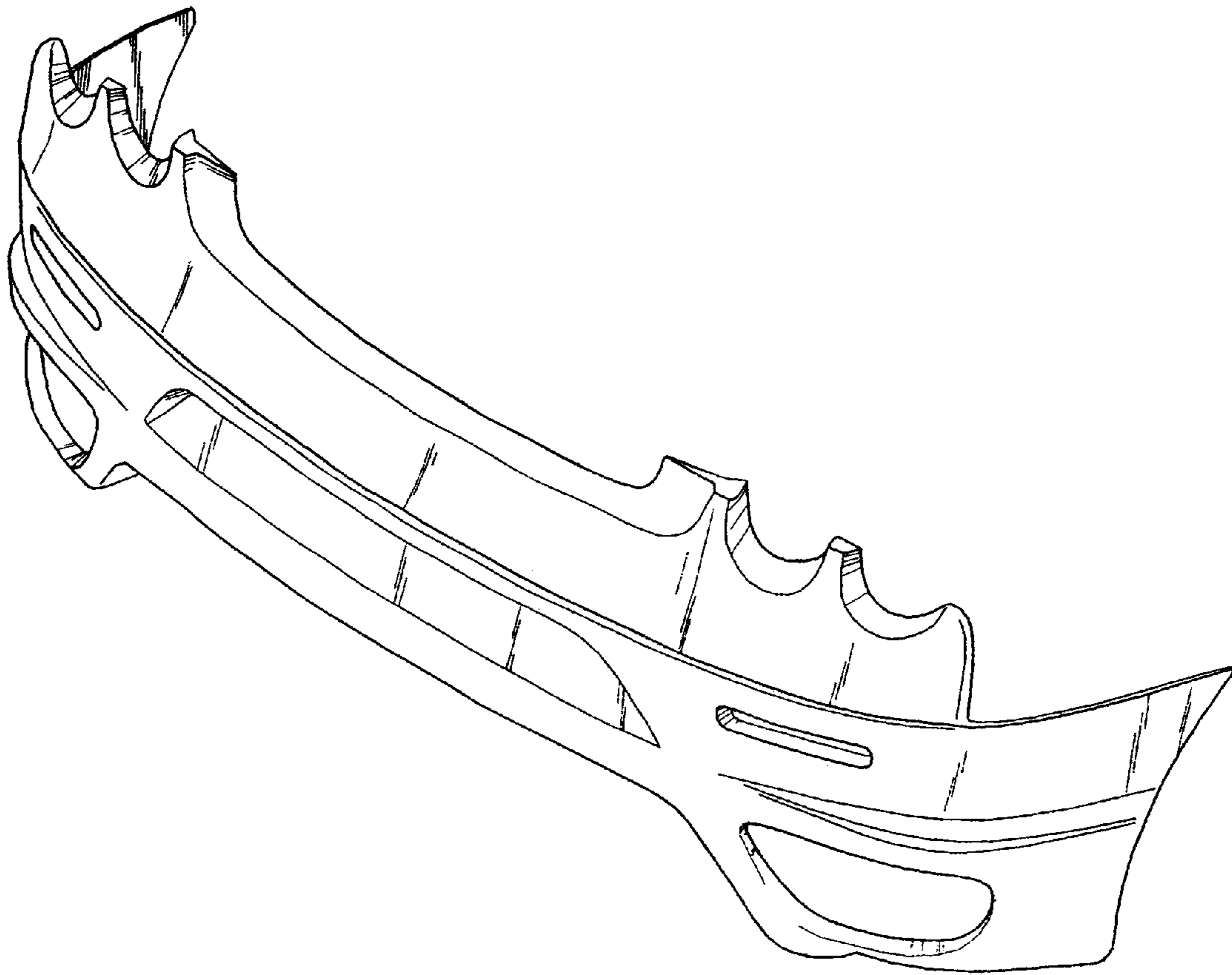


Fig. 2

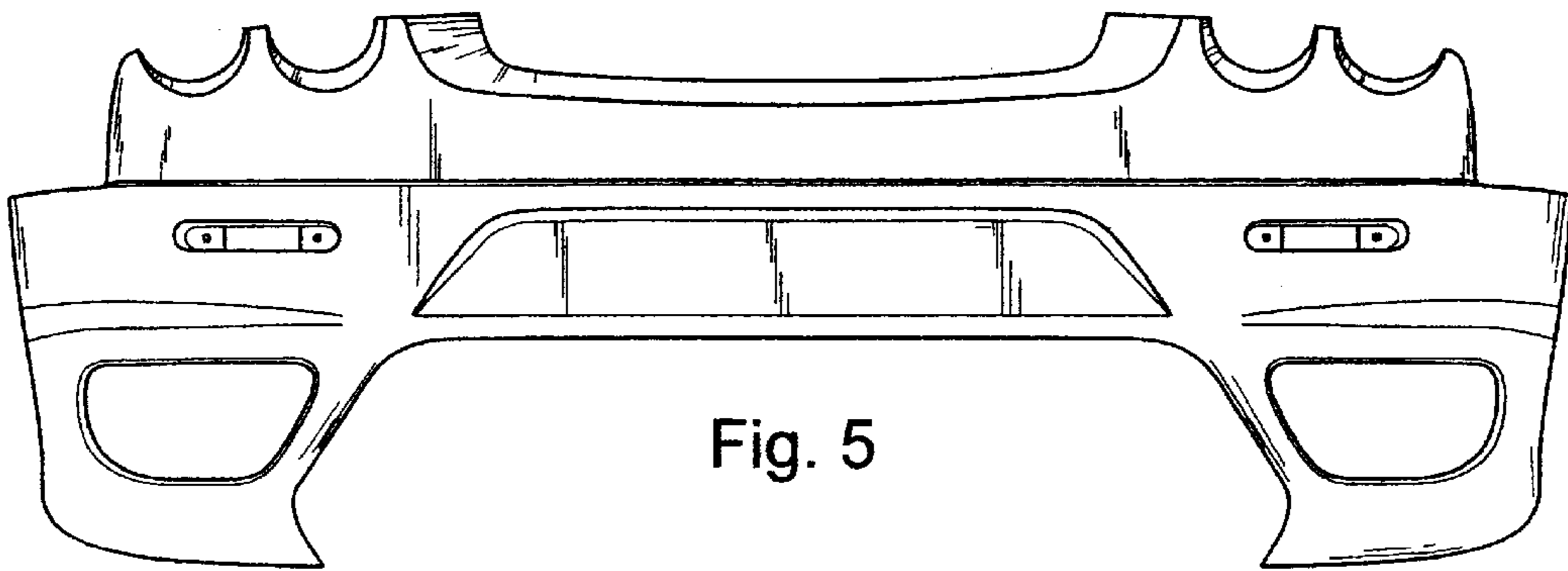


Fig. 5

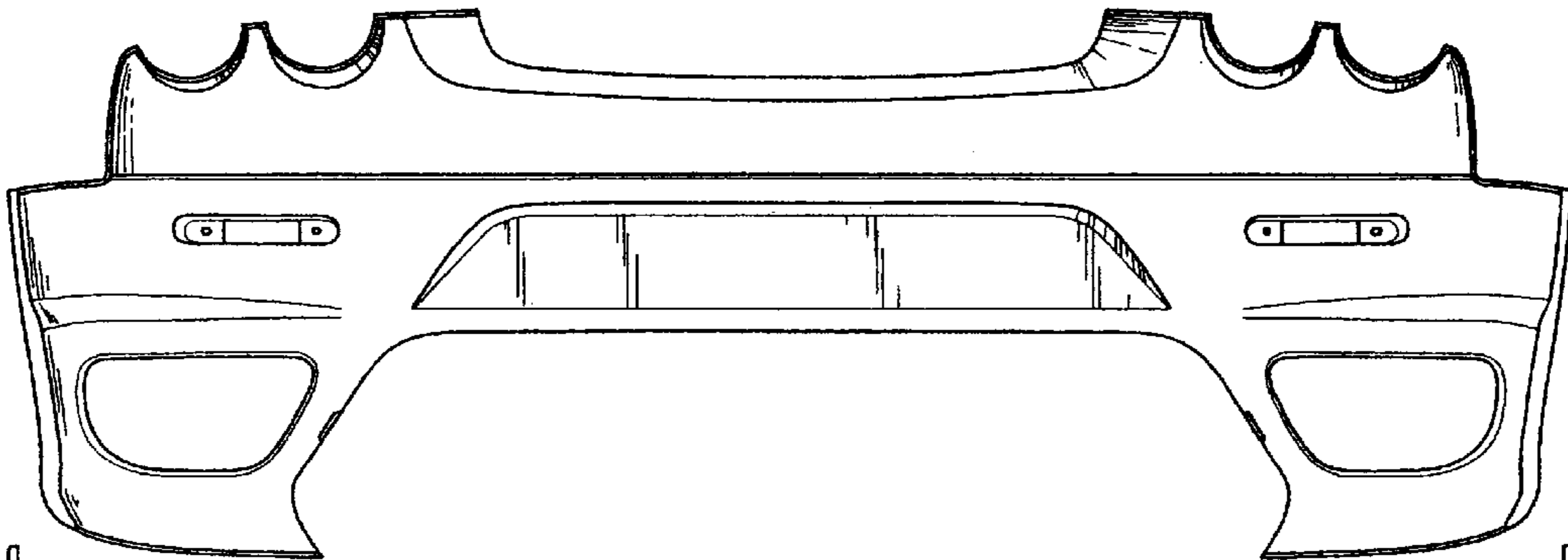


Fig. 6

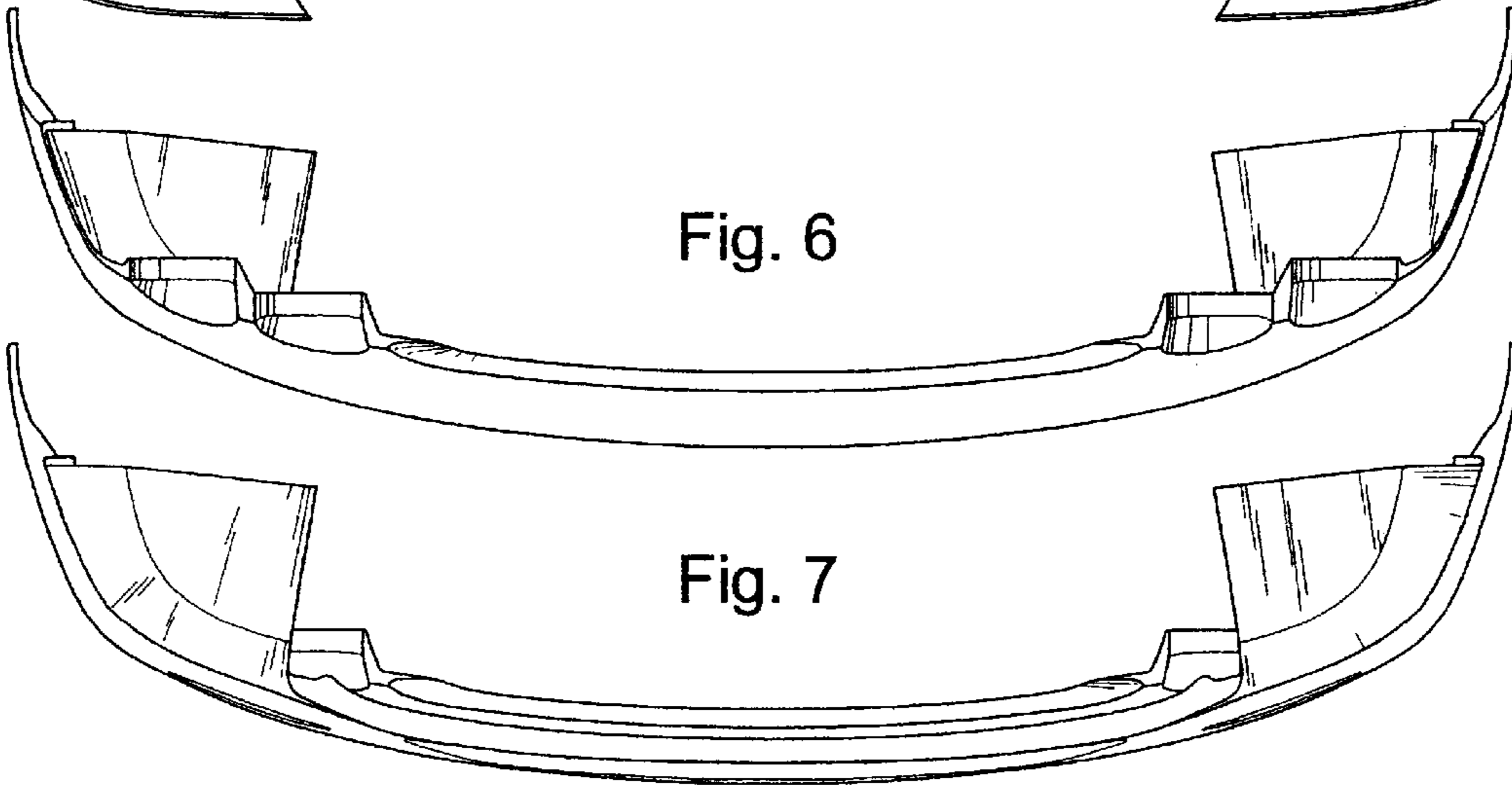


Fig. 7

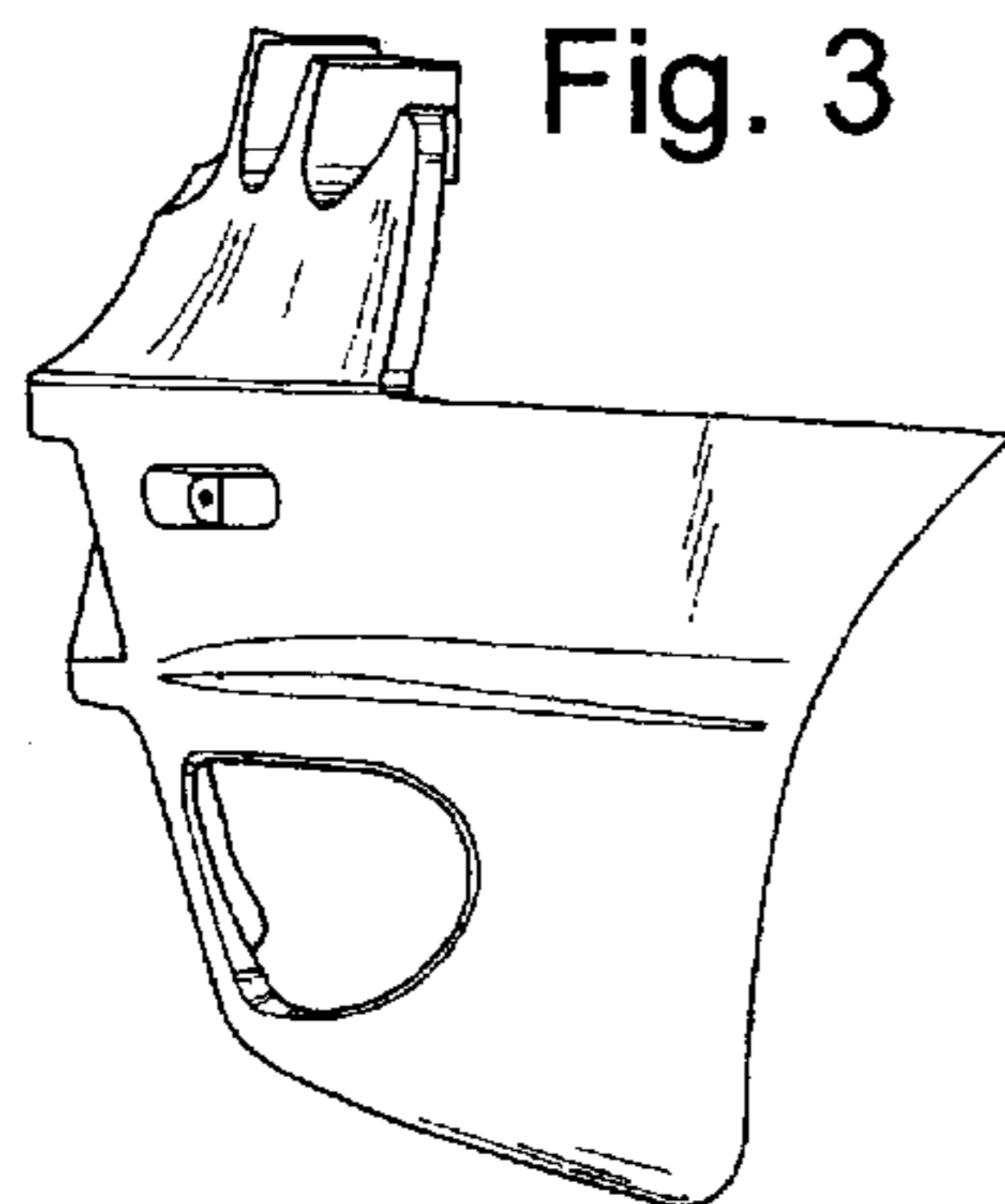


Fig. 3

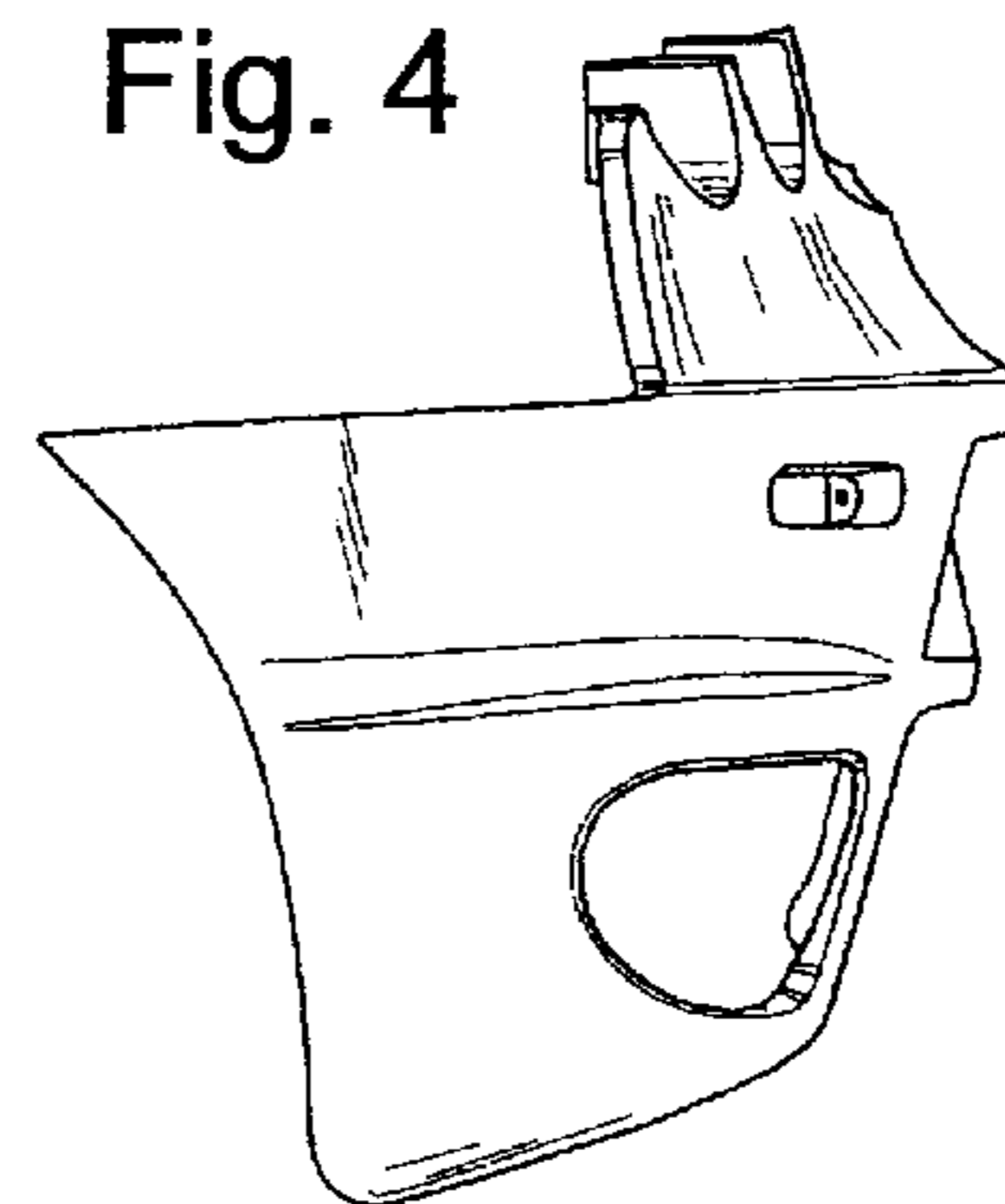


Fig. 4

UNITED STATES PATENT AND TRADEMARK OFFICE  
**CERTIFICATE OF CORRECTION**

PATENT NO. : Des. 515,993 S  
APPLICATION NO. : 29/223233  
DATED : February 28, 2006  
INVENTOR(S) : Patrizio Moruzzi

Page 1 of 1

It is certified that error appears in the above-identified patent and that said Letters Patent is hereby corrected as shown below:

Assignee (73), delete "Ferri S.p.A." and insert --Ferrari S.p.A.--

Signed and Sealed this

Seventeenth Day of October, 2006

A handwritten signature in black ink on a light gray dotted background. The signature reads "Jon W. Dudas" in a cursive style.

JON W. DUDAS

*Director of the United States Patent and Trademark Office*