



US00D515988S

(12) **United States Design Patent**  
**Honda**

(10) **Patent No.:** **US D515,988 S**  
(45) **Date of Patent:** **\*\* Feb. 28, 2006**

(54) **GRILL OF AUTOMOBILES**

(75) Inventor: **Mitsuhiro Honda, Wako (JP)**

(73) Assignee: **Honda Motor Co., Ltd., Tokyo (JP)**

(\*\*) Term: **14 Years**

(21) Appl. No.: **29/221,802**

(22) Filed: **Jan. 21, 2005**

(30) **Foreign Application Priority Data**

Jul. 21, 2004 (JP) ..... 2004-021896

(51) **LOC (8) Cl.** ..... **12-16**

(52) **U.S. Cl.** ..... **D12/163**

(58) **Field of Classification Search** ..... D12/163,  
D12/171, 90-92, 216, 169, 196; 180/68.1,  
180/68.6; 296/193.11; 293/102, 113, 115  
See application file for complete search history.

(56) **References Cited**

**U.S. PATENT DOCUMENTS**

D430,836 S \* 9/2000 Kitamura et al. .... D12/163  
D452,837 S \* 1/2002 Kitamura et al. .... D12/163

D464,296 S \* 10/2002 Nemoto ..... D12/163  
D474,424 S \* 5/2003 Tachibana et al. .... D12/92  
D486,764 S \* 2/2004 Tachibana ..... D12/163  
D504,364 S \* 4/2005 Nagura et al. .... D12/163

\* cited by examiner

*Primary Examiner*—Melody N. Brown

(74) *Attorney, Agent, or Firm*—Arent Fox PLLC

(57) **CLAIM**

The ornamental design for a grill of automobiles, as shown and described.

**DESCRIPTION**

FIG. 1 is a front perspective view of the grill of automobiles showing my new design.

FIG. 2 is a front elevational view thereof.

FIG. 3 is a top perspective view thereof.

FIG. 4 is a right side elevational view thereof; and,

FIG. 5 is a left side elevational view thereof.

The broken lines shown throughout the drawing are for illustrative purposes only and form no part of the claimed design.

**1 Claim, 3 Drawing Sheets**

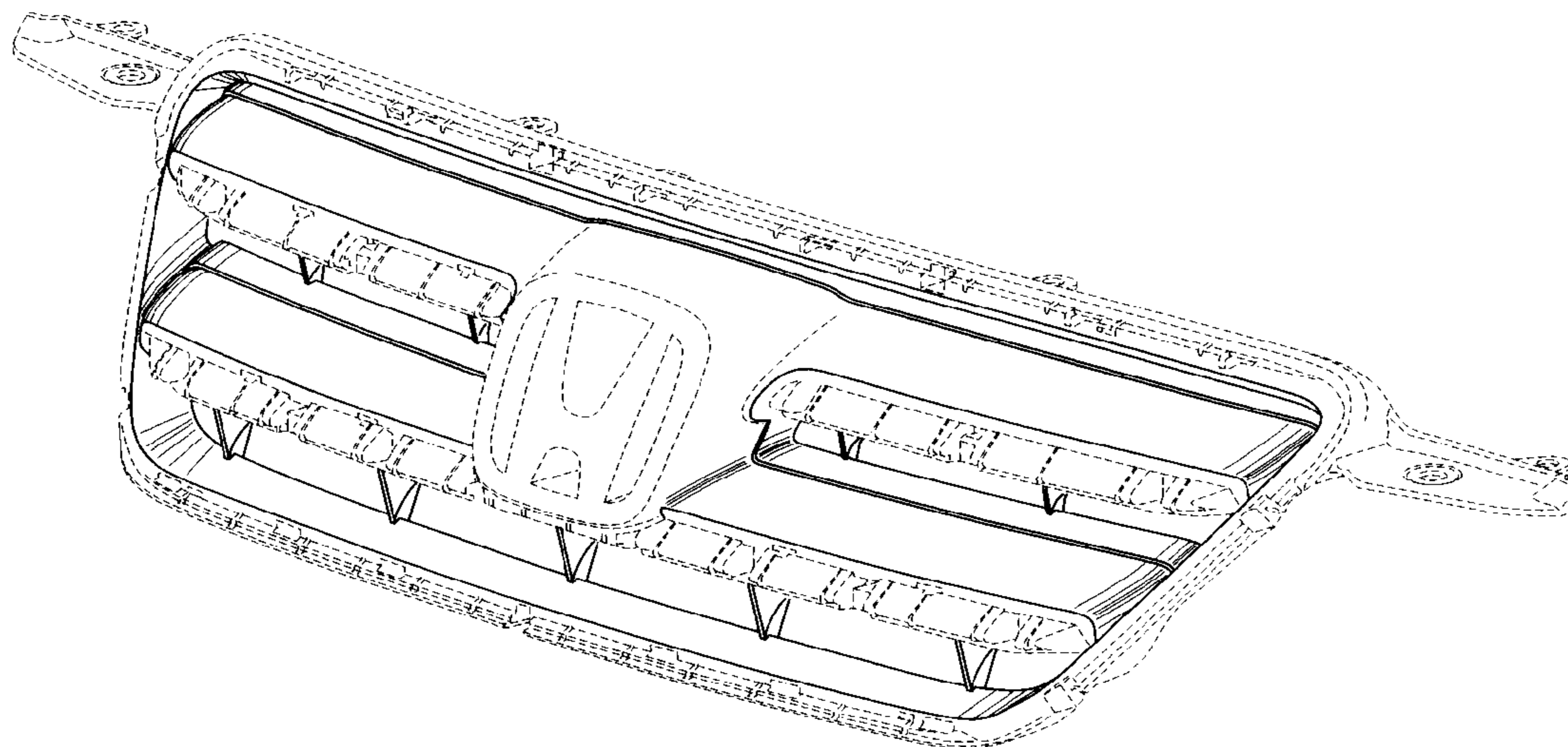


FIG.1

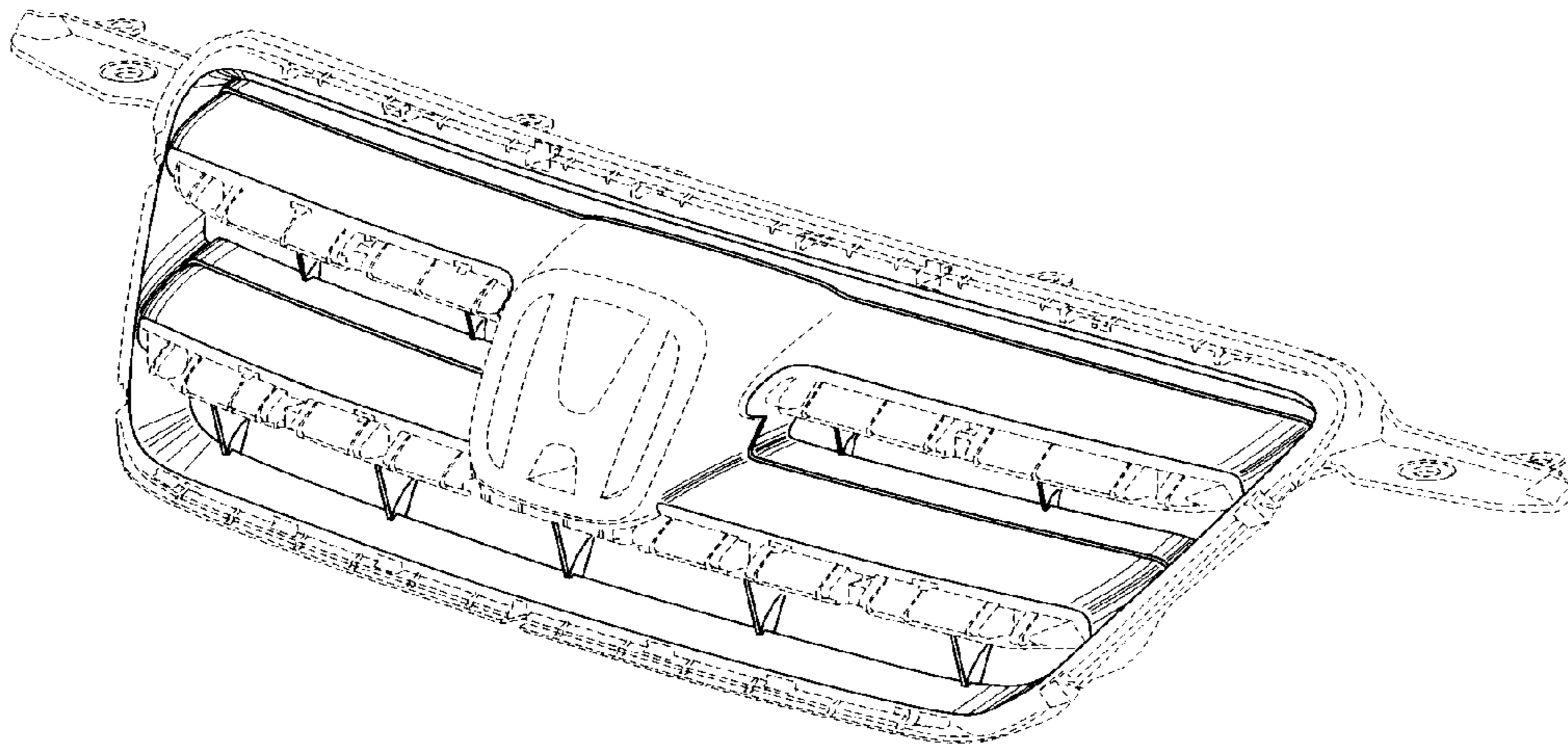


FIG.2

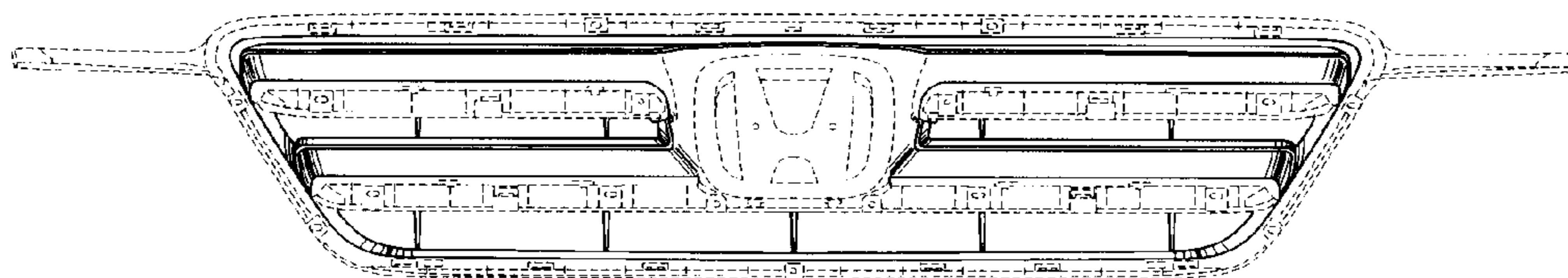


FIG.3

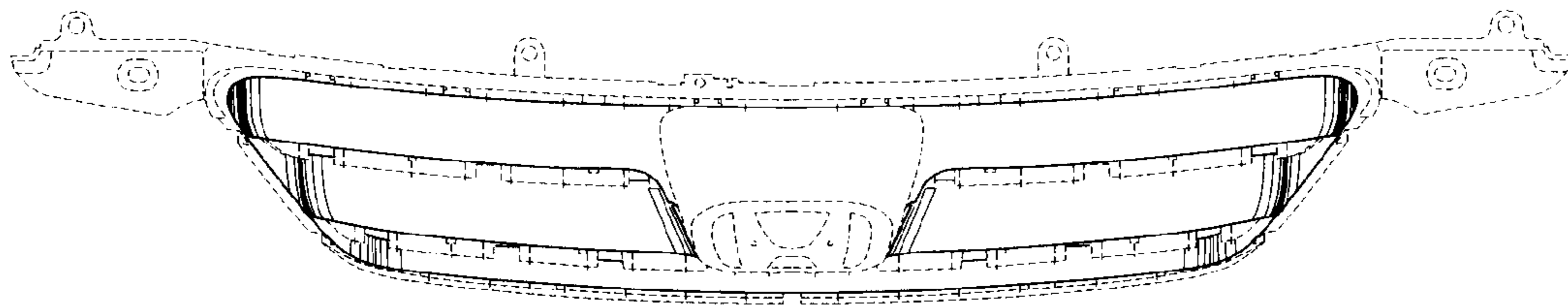


FIG.4

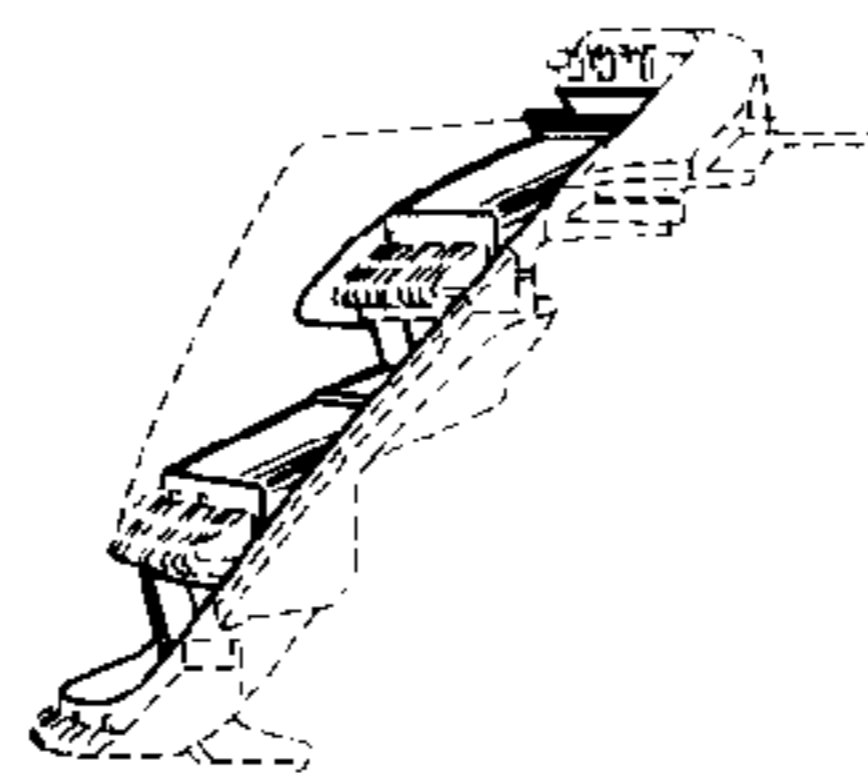


FIG.5

