



US00D515980S

(12) **United States Design Patent**
Heinrich et al.

(10) **Patent No.: US D515,980 S**
(45) **Date of Patent: ** Feb. 28, 2006**

(54) **SURFACE CONFIGURATION OF A
MOTORCYCLE, TOY, AND/OR OTHER
REPLICAS**

(75) Inventors: **Edgar Heinrich**, Freising (DE); **David
Irwin Robb**, Munich (DE)

(73) Assignee: **Bayerische Motoren Werke
Aktiengesellschaft**, Munich (DE)

(**) Term: **14 Years**

(21) Appl. No.: **29/211,179**

(22) Filed: **Aug. 12, 2004**

(30) **Foreign Application Priority Data**

Feb. 13, 2004 (DE) 40400998

(51) **LOC (8) Cl.** **12-11**

(52) **U.S. Cl.** **D12/110**

(58) **Field of Classification Search** D12/110;
180/219; 280/828; D21/432, 538; 446/440

See application file for complete search history.

(56) **References Cited**

U.S. PATENT DOCUMENTS

D437,262 S * 2/2001 Robb et al. D12/110

D444,103 S * 6/2001 Robb et al. D12/110

* cited by examiner

Primary Examiner—Alan P. Douglas

Assistant Examiner—Linda Brooks

(74) *Attorney, Agent, or Firm*—Crowell & Moring LLP

(57) **CLAIM**

The ornamental design for a surface configuration of a motorcycle, toy and/or other replicas, as shown and described.

DESCRIPTION

FIG. 1 is a left, front perspective view of a surface configuration of a motorcycle, toy and/or other replicas according to our novel design;

FIG. 2 is a right, front perspective view of the surface configuration of a motorcycle, toy and/or other replicas according to our novel design;

FIG. 3 is a left, rear perspective view of the surface configuration of a motorcycle, toy and/or other replicas according to our novel design;

FIG. 4 is a right, rear perspective view of the surface configuration of a motorcycle, toy and/or other replicas according to our novel design;

FIG. 5 is a left side view of the surface configuration of a motorcycle, toy and/or other replicas according to our novel design;

FIG. 6 is a right side view of the surface configuration of a motorcycle, toy and/or other replicas according to our novel design;

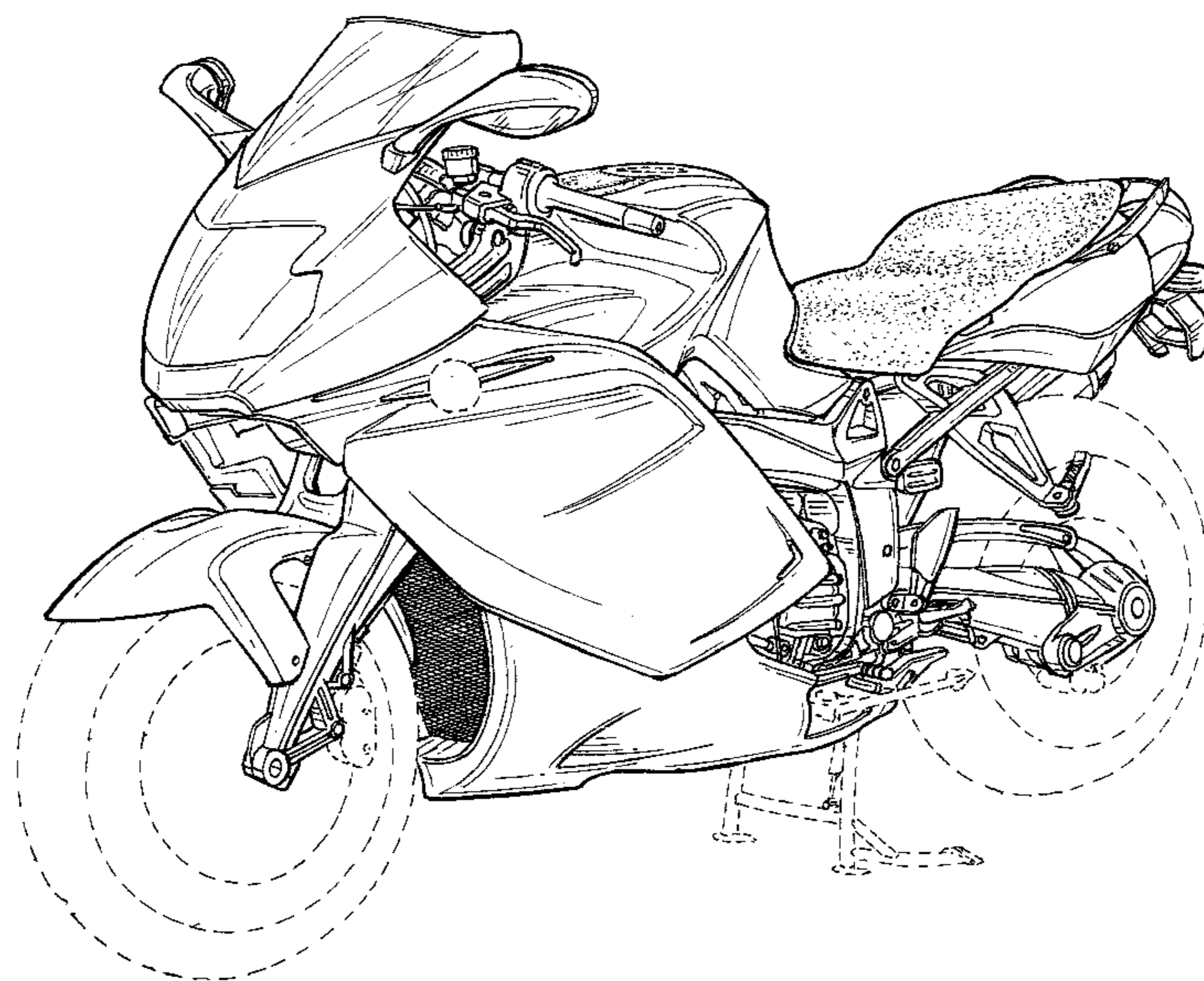
FIG. 7 is a front view of the surface configuration of a motorcycle, toy and/or other replicas according to our novel design;

FIG. 8 is a rear view of the surface configuration of a motorcycle, toy and/or other replicas according to our novel design; and,

FIG. 9 is a top view of the surface configuration of a motorcycle, toy and/or other replicas according to our novel design.

The broken lines immediately adjacent the shaded areas represent the boundaries of the claimed design, while all other broken lines are for illustrative purposes only and form no part of the claimed design.

1 Claim, 8 Drawing Sheets



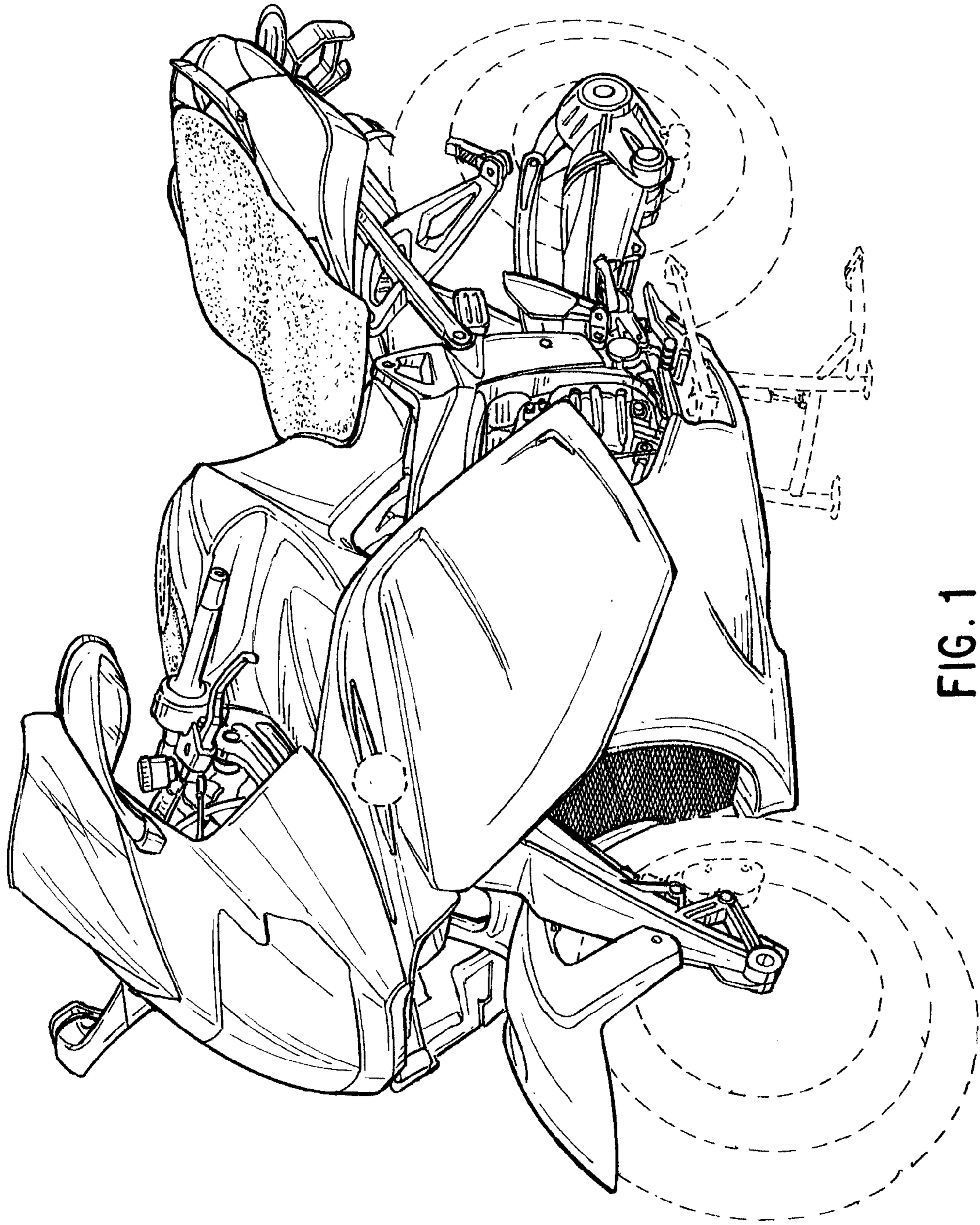


FIG. 1

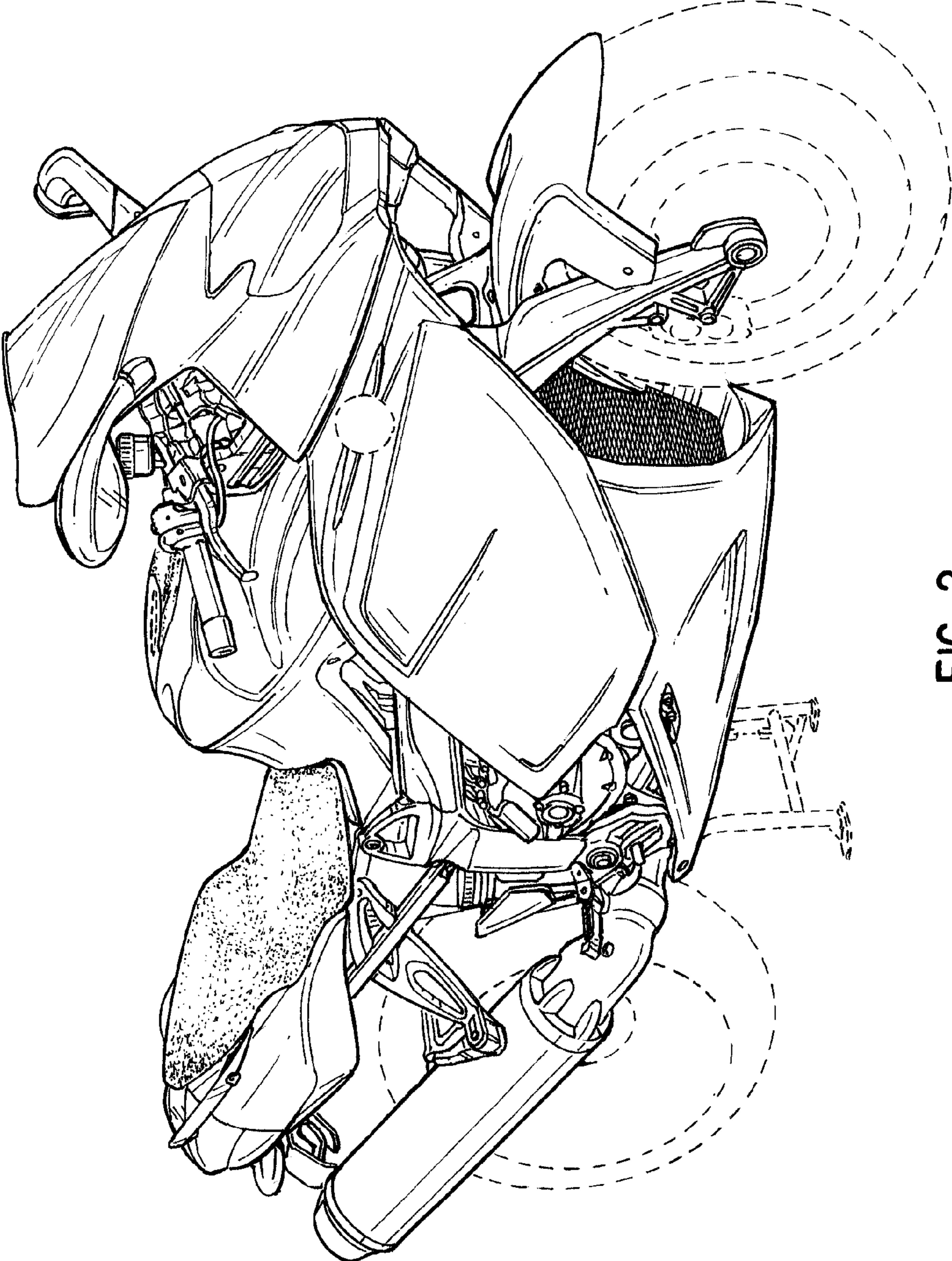


FIG. 2

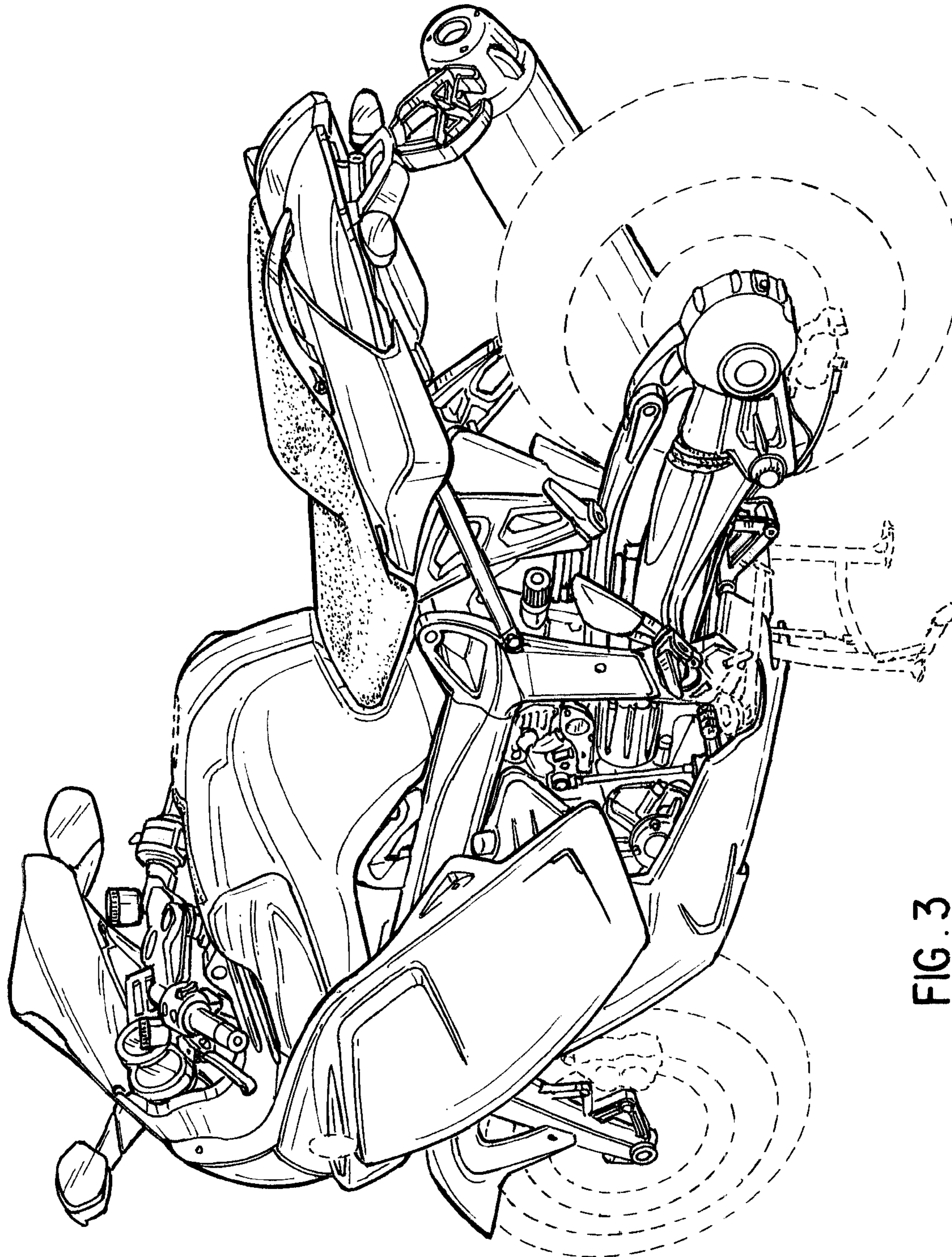


FIG. 3

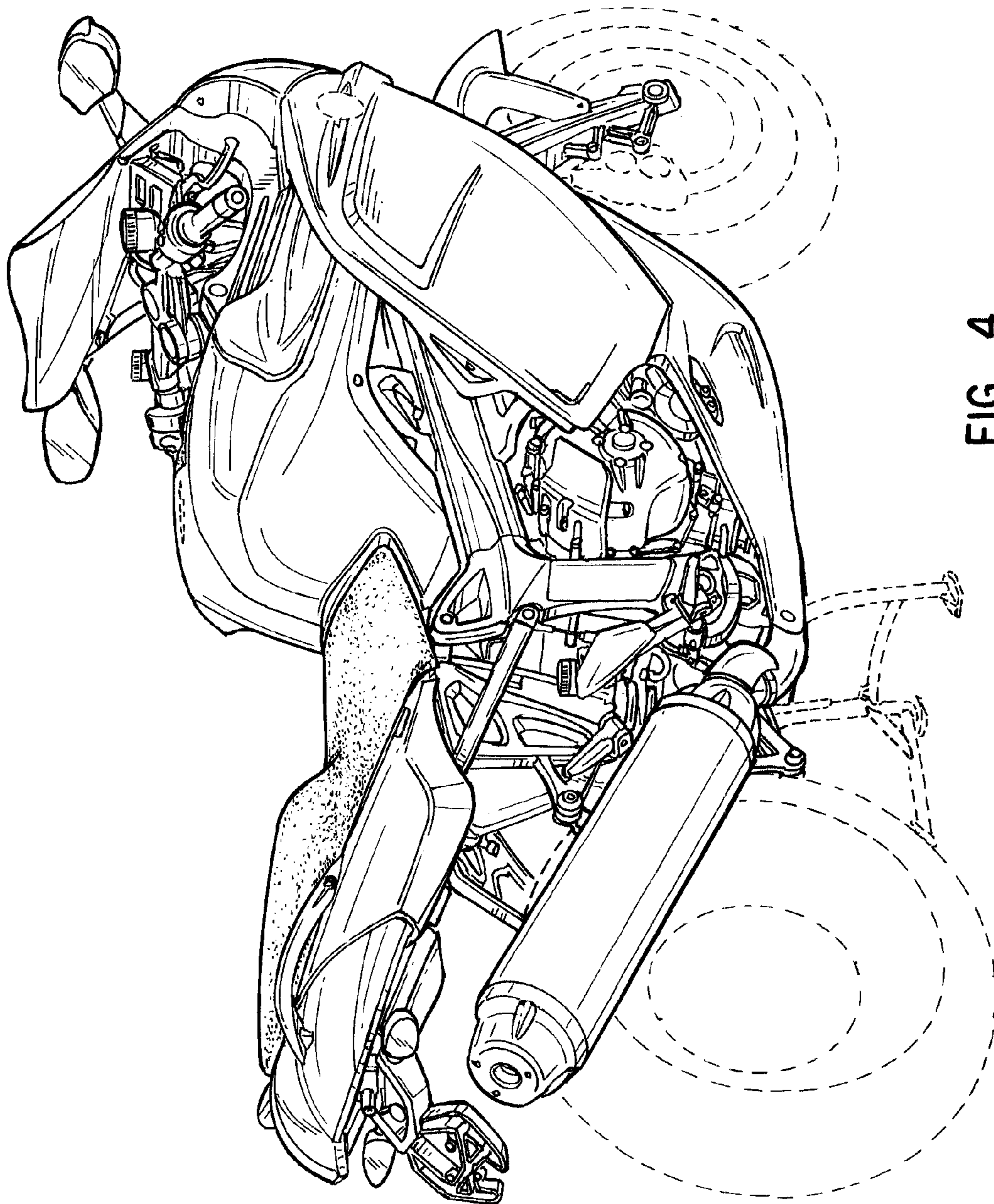


FIG. 4

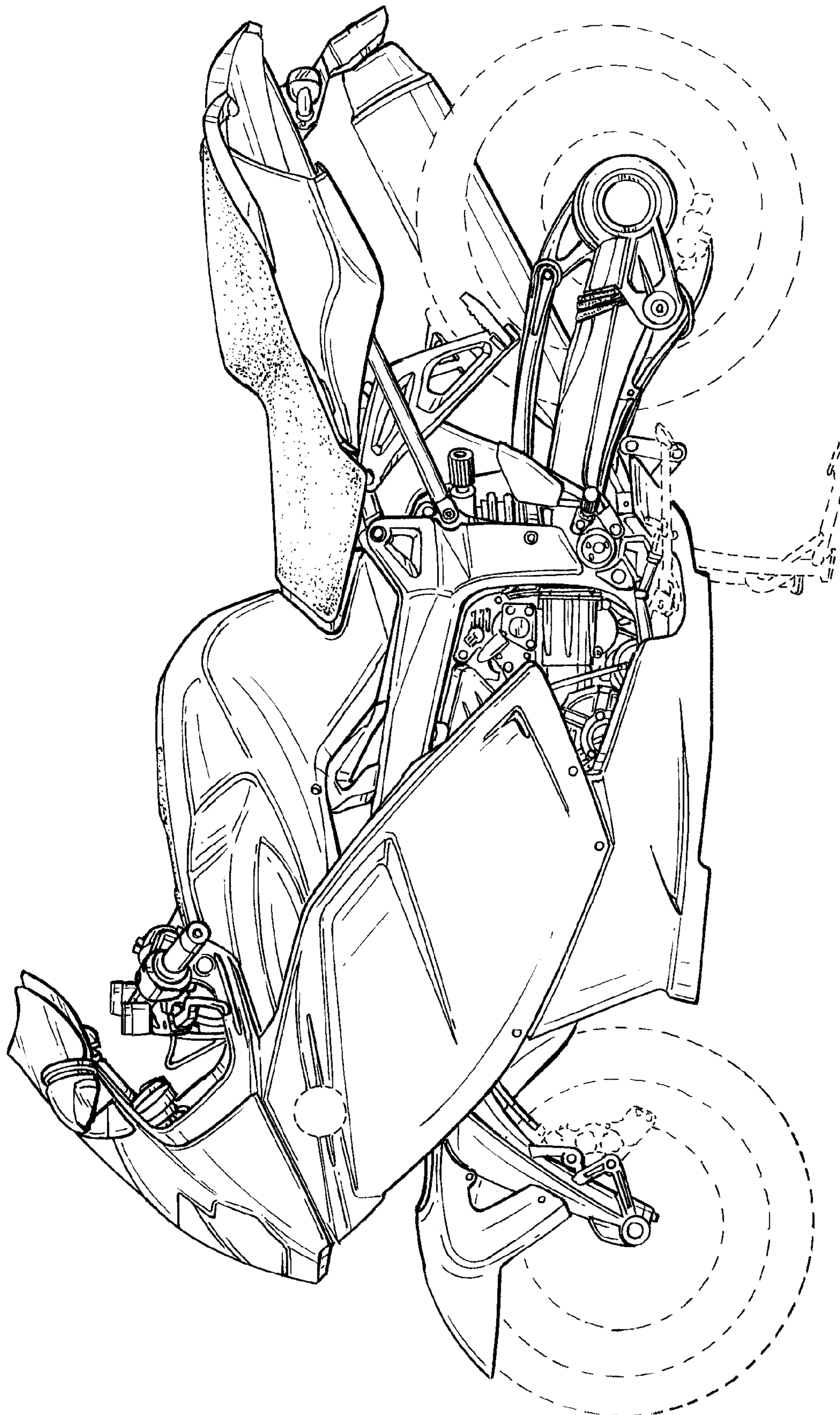


FIG. 5

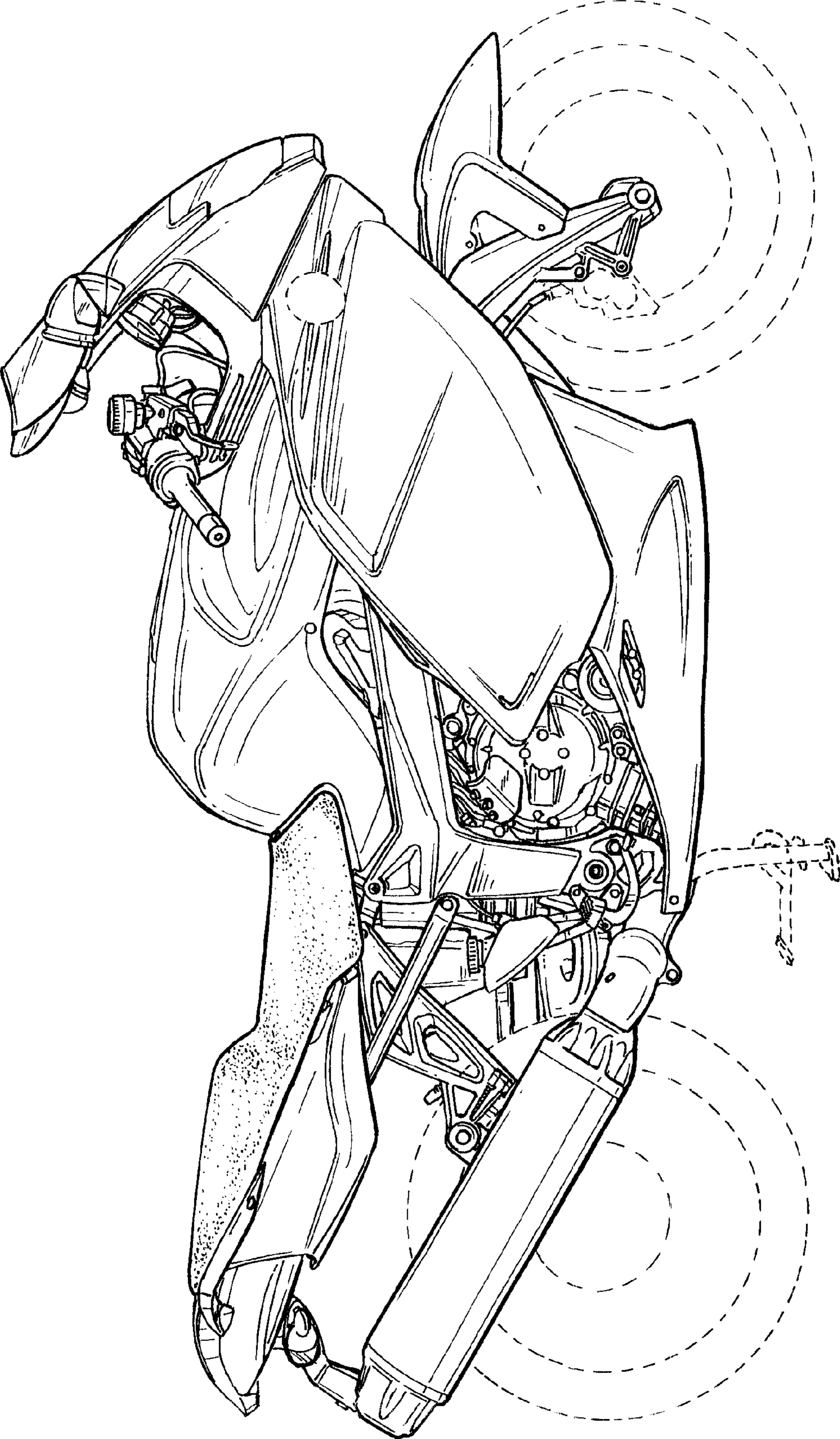


FIG. 6

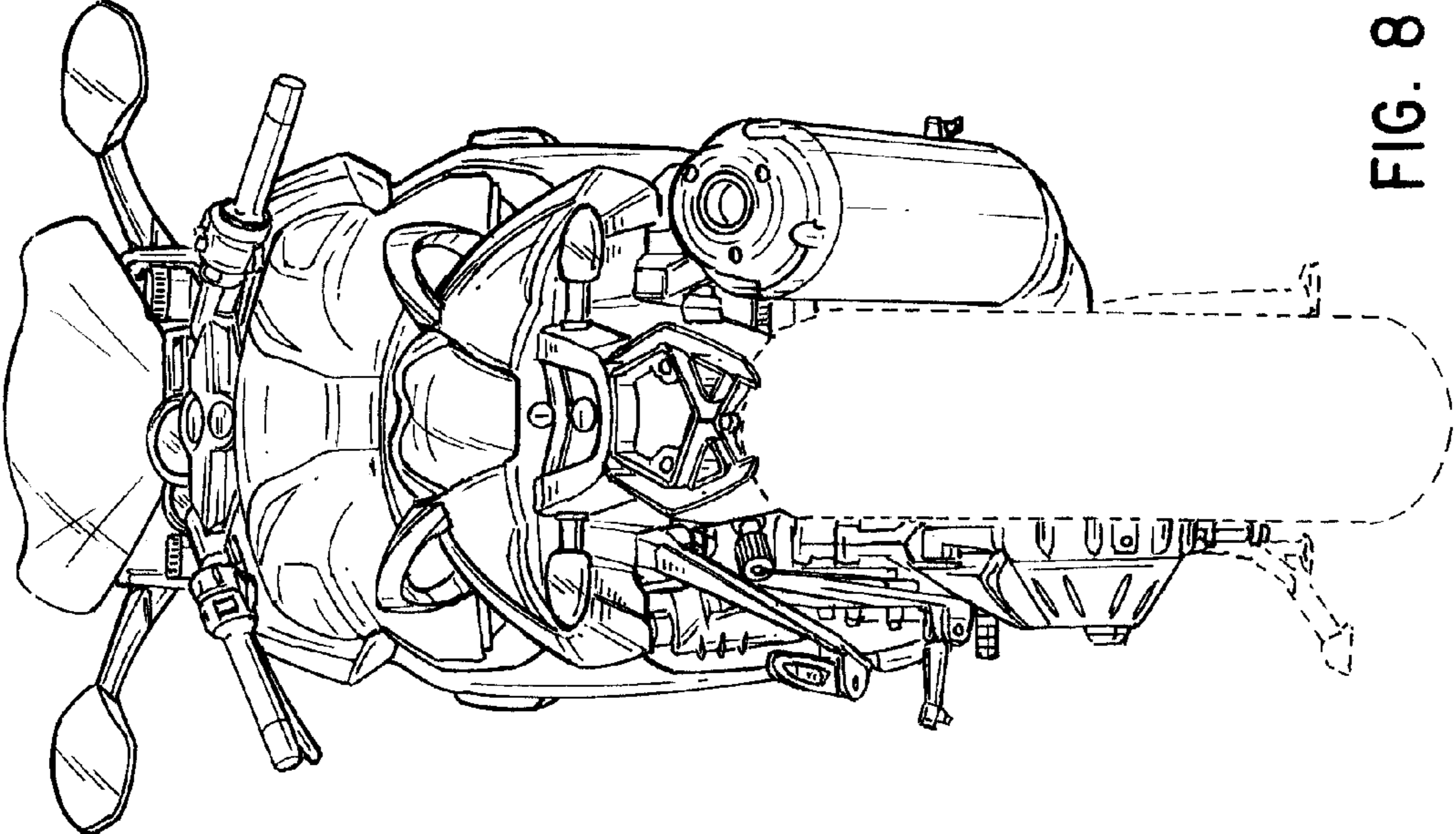


FIG. 8

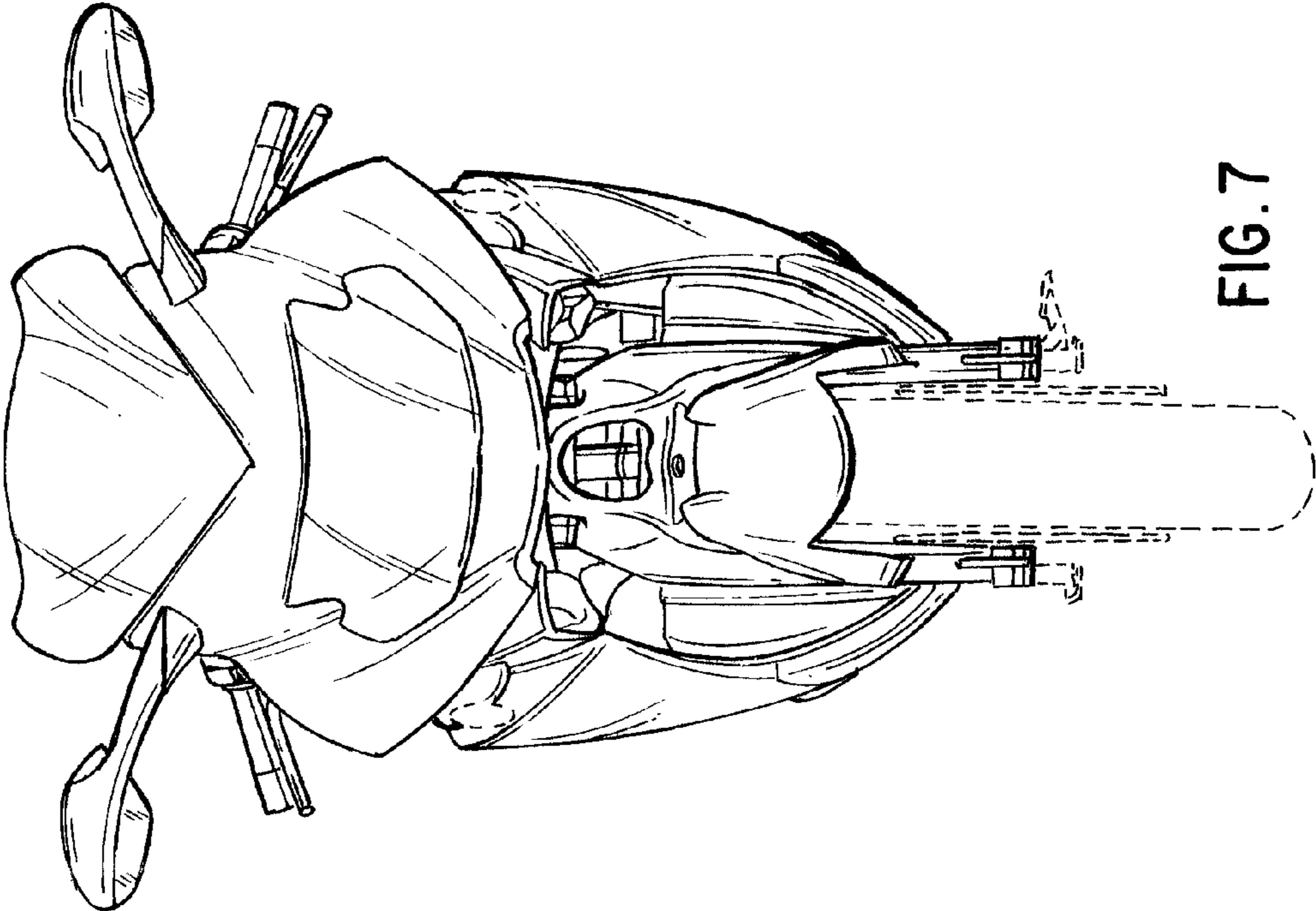


FIG. 7

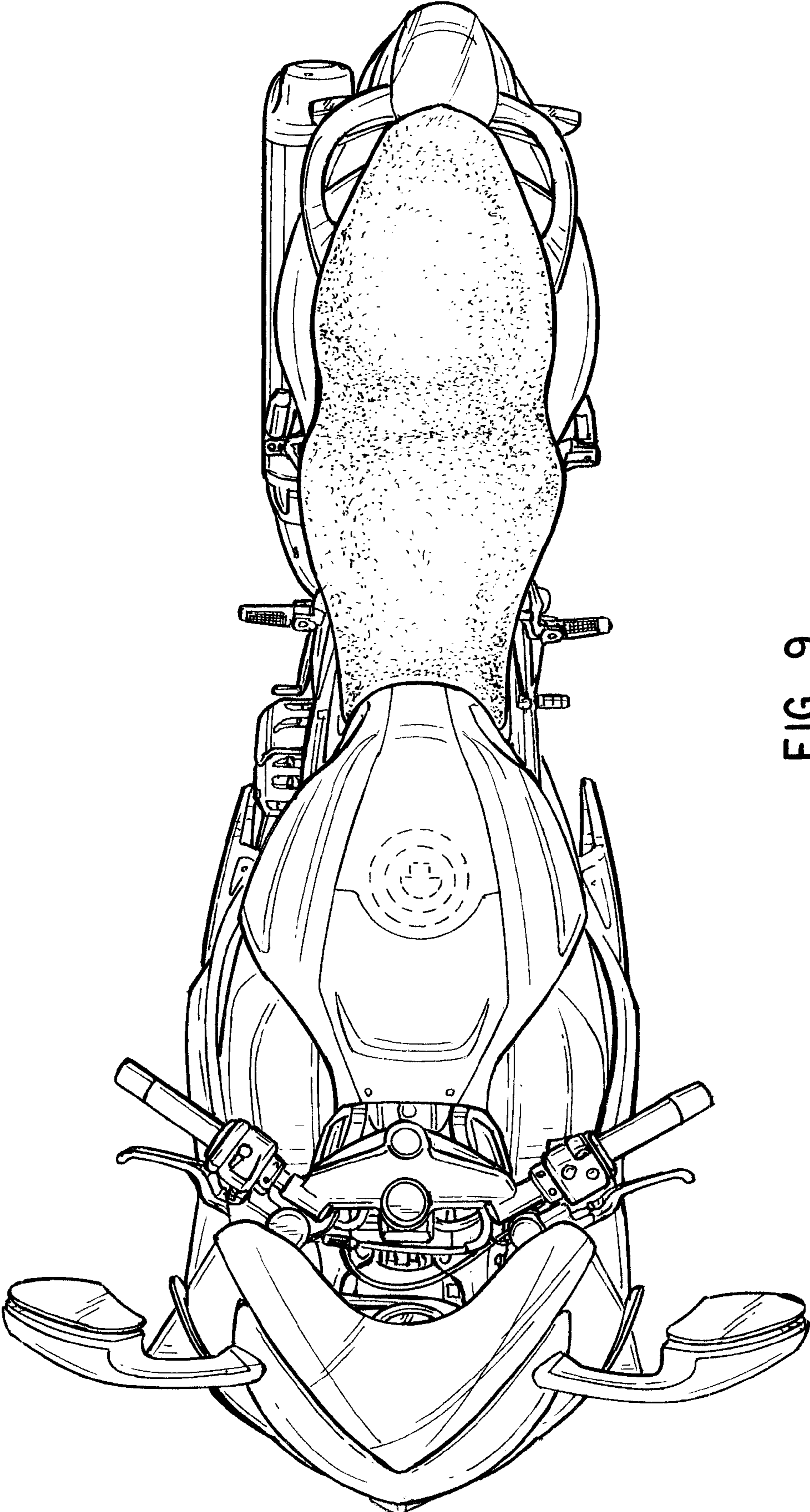


FIG. 9