



US00D515972S

(12) **United States Design Patent**
Ikeda et al.

(10) **Patent No.: US D515,972 S**
(45) **Date of Patent: ** Feb. 28, 2006**

(54) **VEHICLE EXTERIOR**

(75) Inventors: **Jon Ikeda**, Palos Verdes Estates, CA (US); **William Yex**, Redondo Beach, CA (US)

(73) Assignee: **Honda Motor Co., Ltd.**, Tokyo (JP)

(**) Term: **14 Years**

(21) Appl. No.: **29/219,863**

(22) Filed: **Dec. 23, 2004**

(51) **LOC (8) Cl.** **12-08**

(52) **U.S. Cl.** **D12/91**

(58) **Field of Classification Search** D12/90-92,
D12/86; D21/548, 549; 296/181.1, 181.5
See application file for complete search history.

(56) **References Cited**

U.S. PATENT DOCUMENTS

D476,269 S	*	6/2003	Suzuki et al.	D12/91
D490,019 S	*	5/2004	Sakae	D12/91
D497,840 S	*	11/2004	Egger	D12/91
D499,356 S	*	12/2004	Minami et al.	D12/91
D504,639 S	*	5/2005	Oishi et al.	D12/91
D505,097 S	*	5/2005	Rodriguez	D12/91

OTHER PUBLICATIONS

Copy of photographs of 2005 Mazda MX Crossport Concept, shown at the Jan. 2005 Detroit Auto Show.

* cited by examiner

Primary Examiner—Melody N. Brown

(74) *Attorney, Agent, or Firm*—Mark E. Duell; Plumsea Law Group, LLC

(57) **CLAIM**

The ornamental design for a vehicle exterior, as shown and described.

DESCRIPTION

FIG. 1 is a front perspective view of a vehicle exterior showing our new design;

FIG. 2 is a rear perspective view thereof;

FIG. 3 is a side elevational view, the opposite side elevational view being a mirror image thereof;

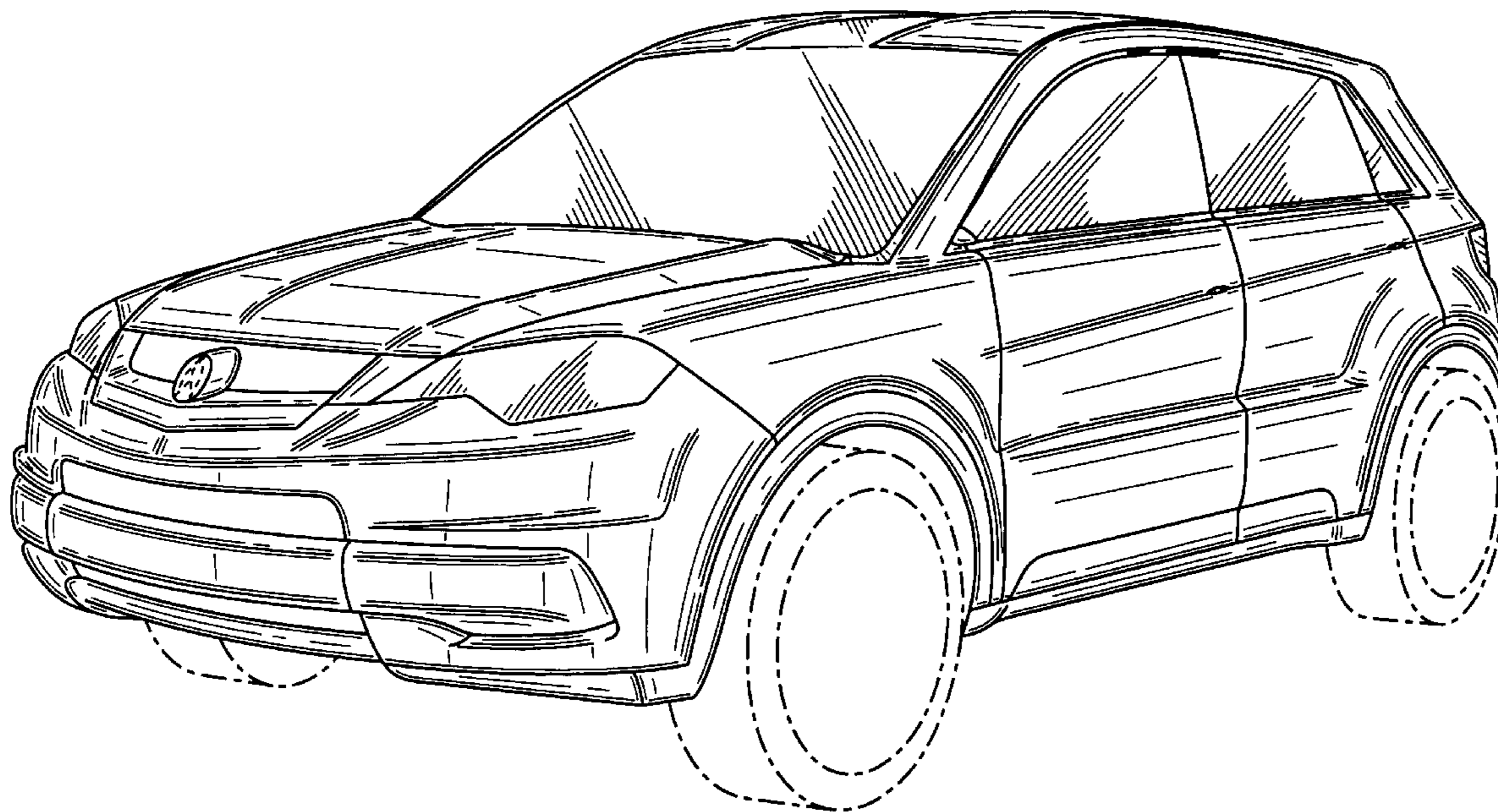
FIG. 4 is a front elevational view thereof;

FIG. 5 is a rear elevational view thereof; and,

FIG. 6 is a top plan view thereof.

The broken line showings of the wheels, tires and front marquee are for illustrative purposes only and form no part of the claimed invention.

1 Claim, 5 Drawing Sheets



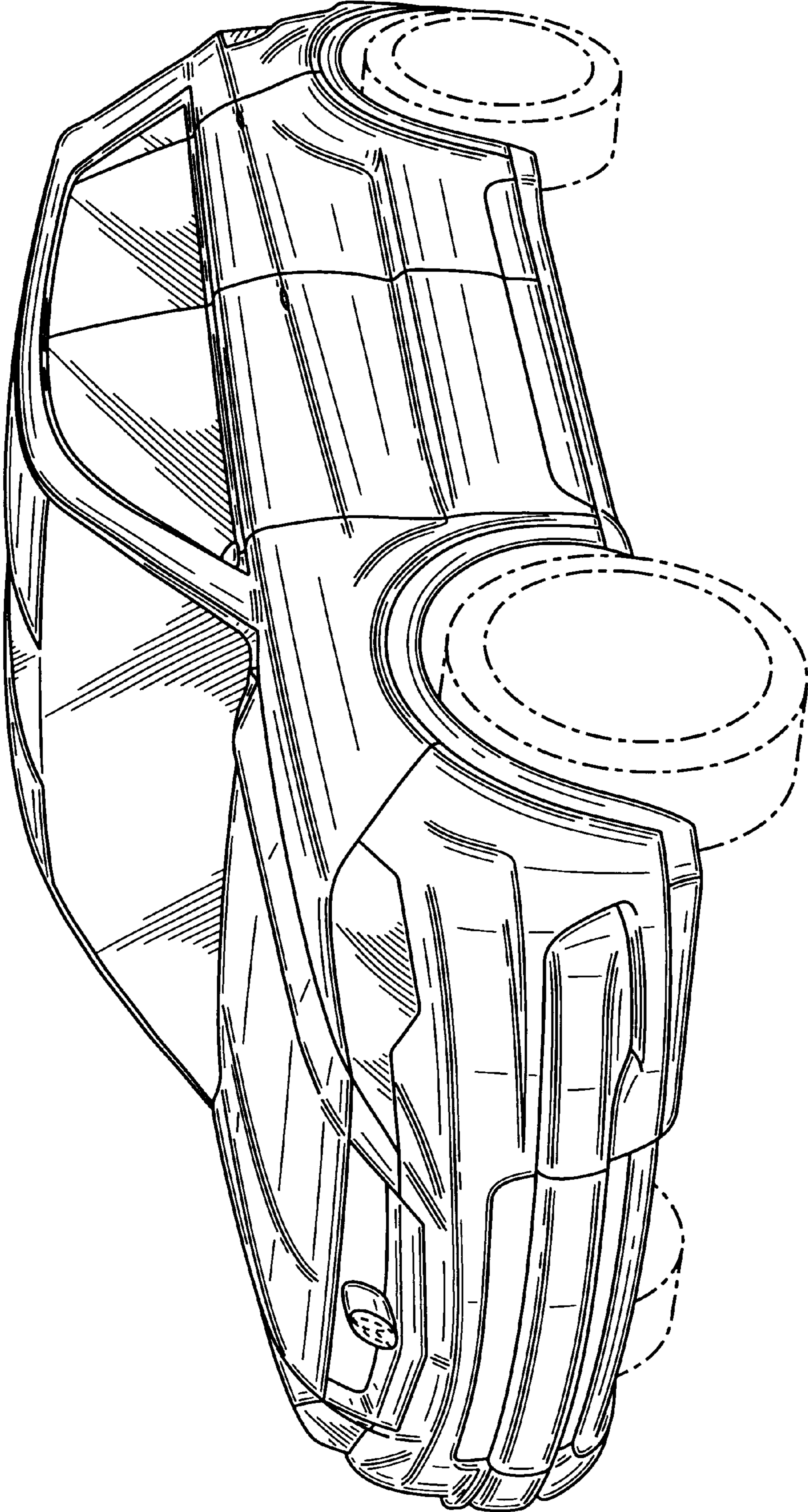


FIG. 1

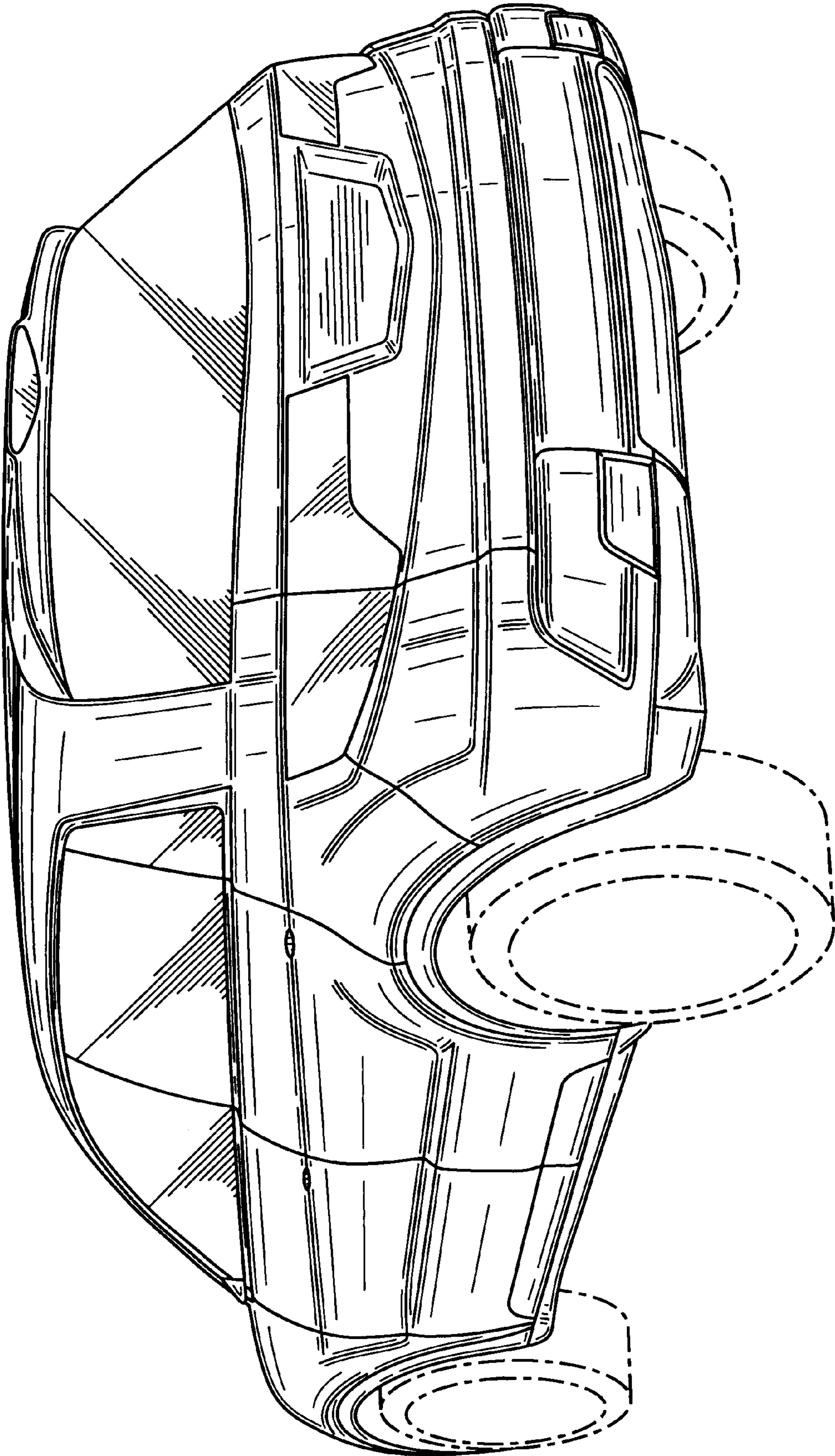


FIG. 2

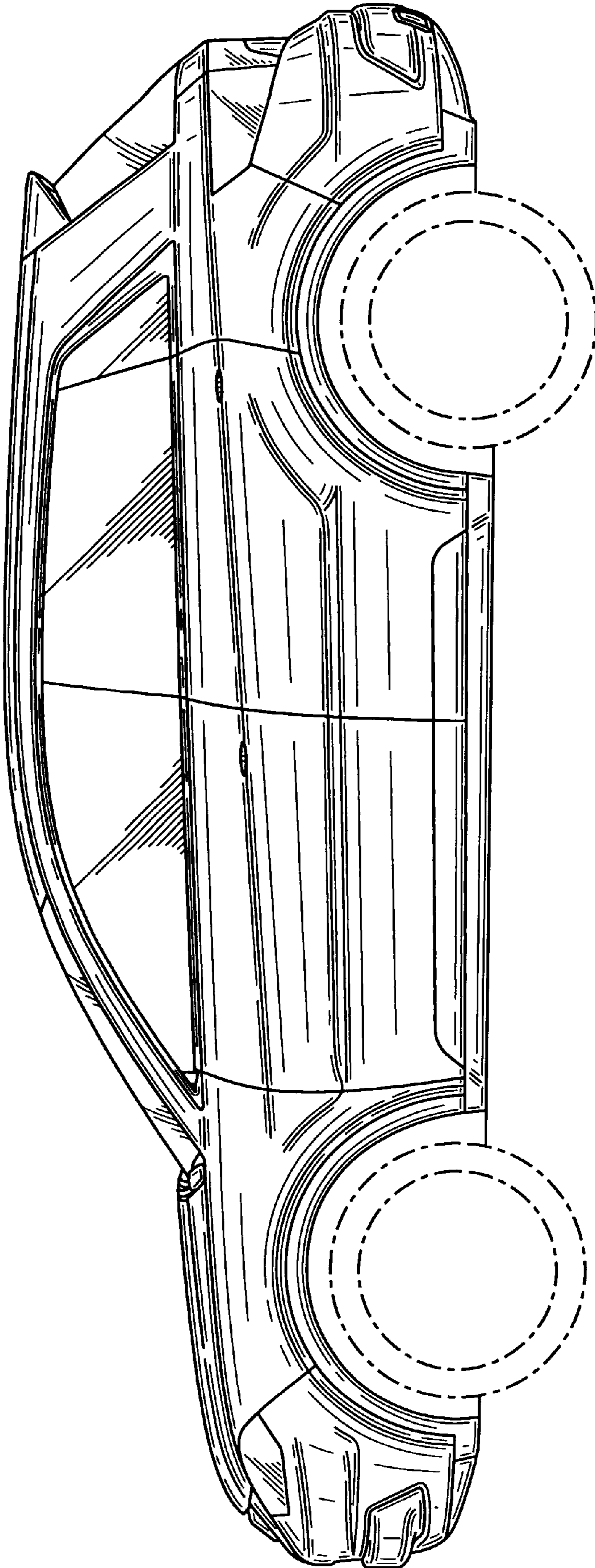


FIG. 3

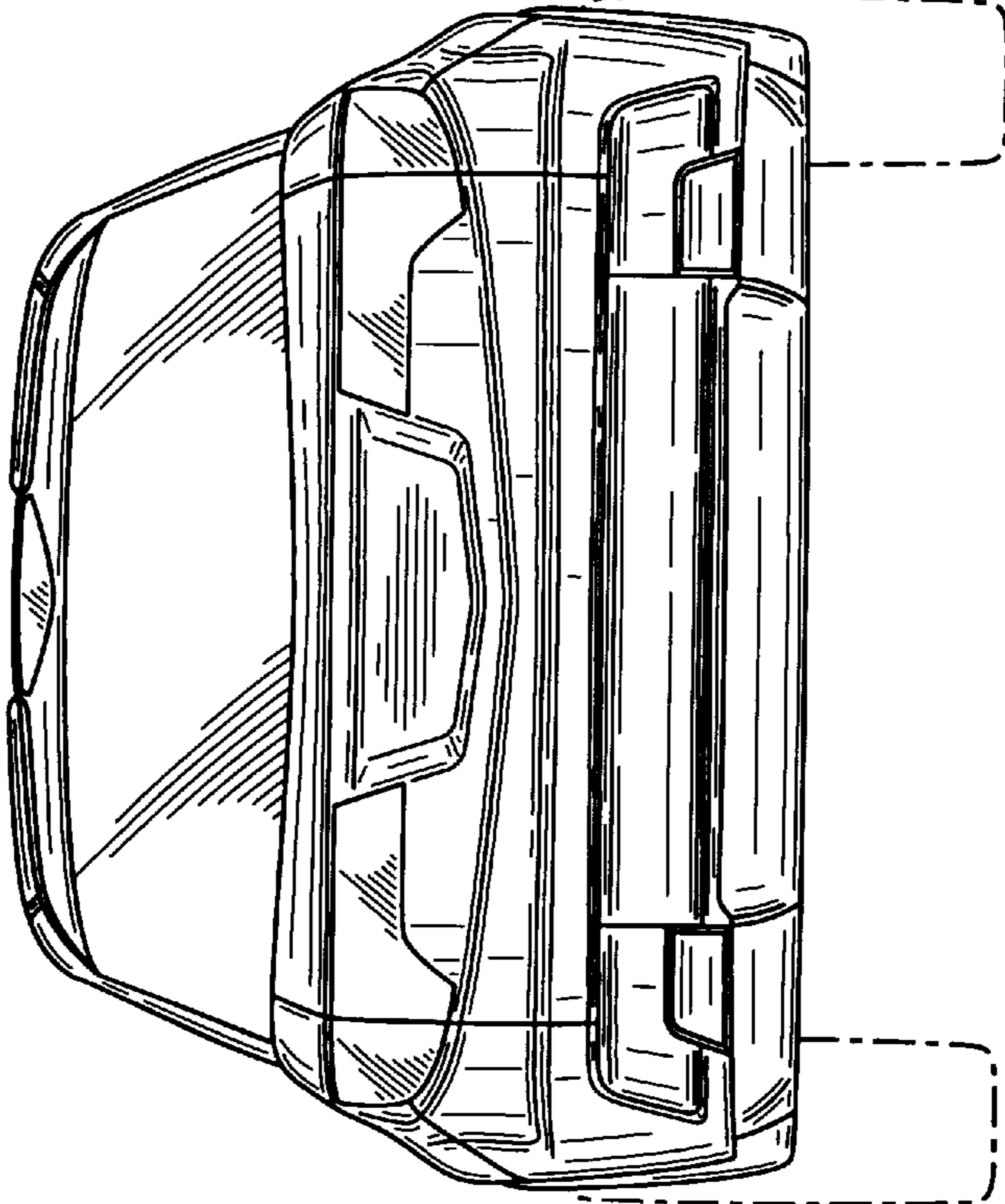


FIG. 5

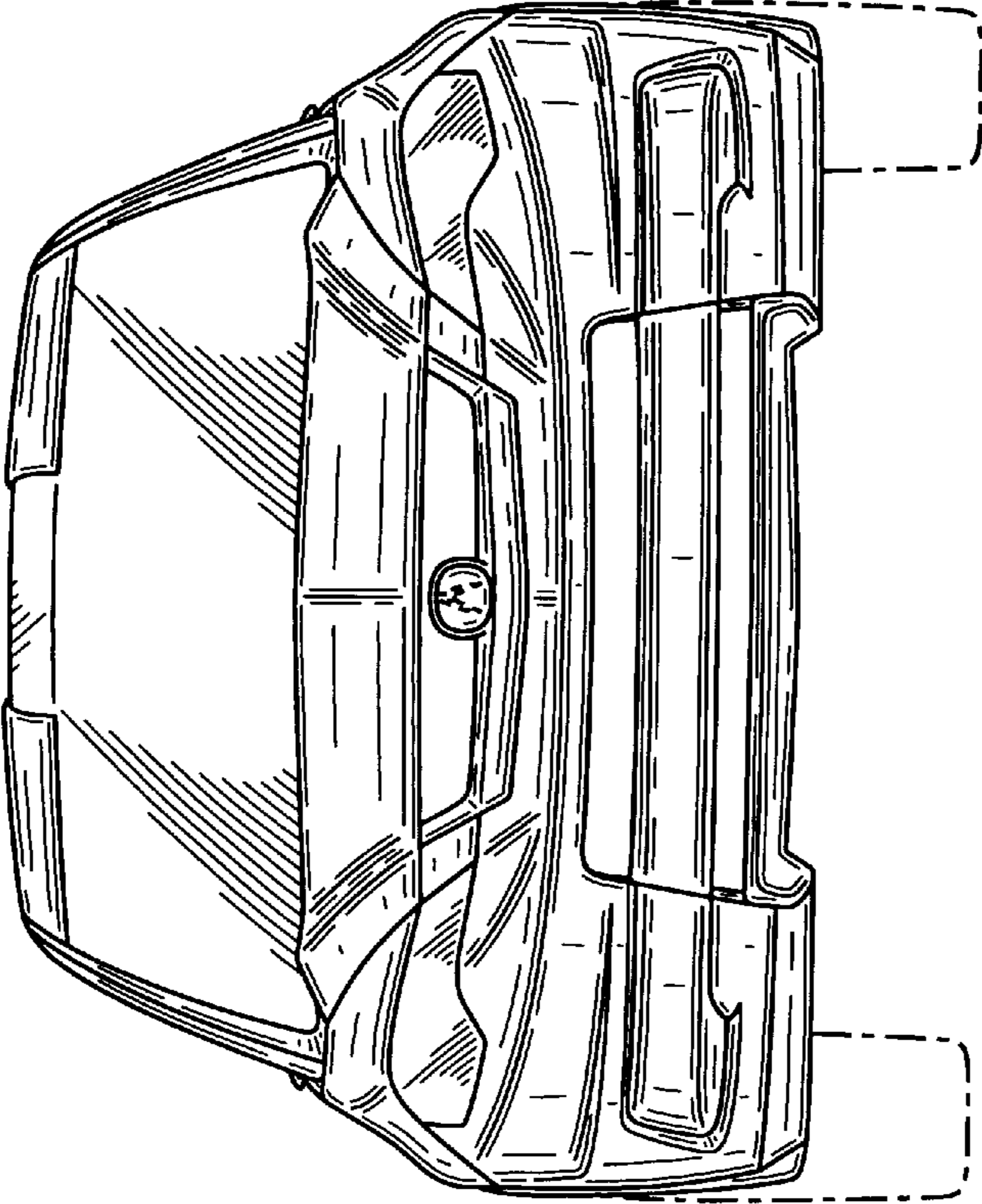


FIG. 4

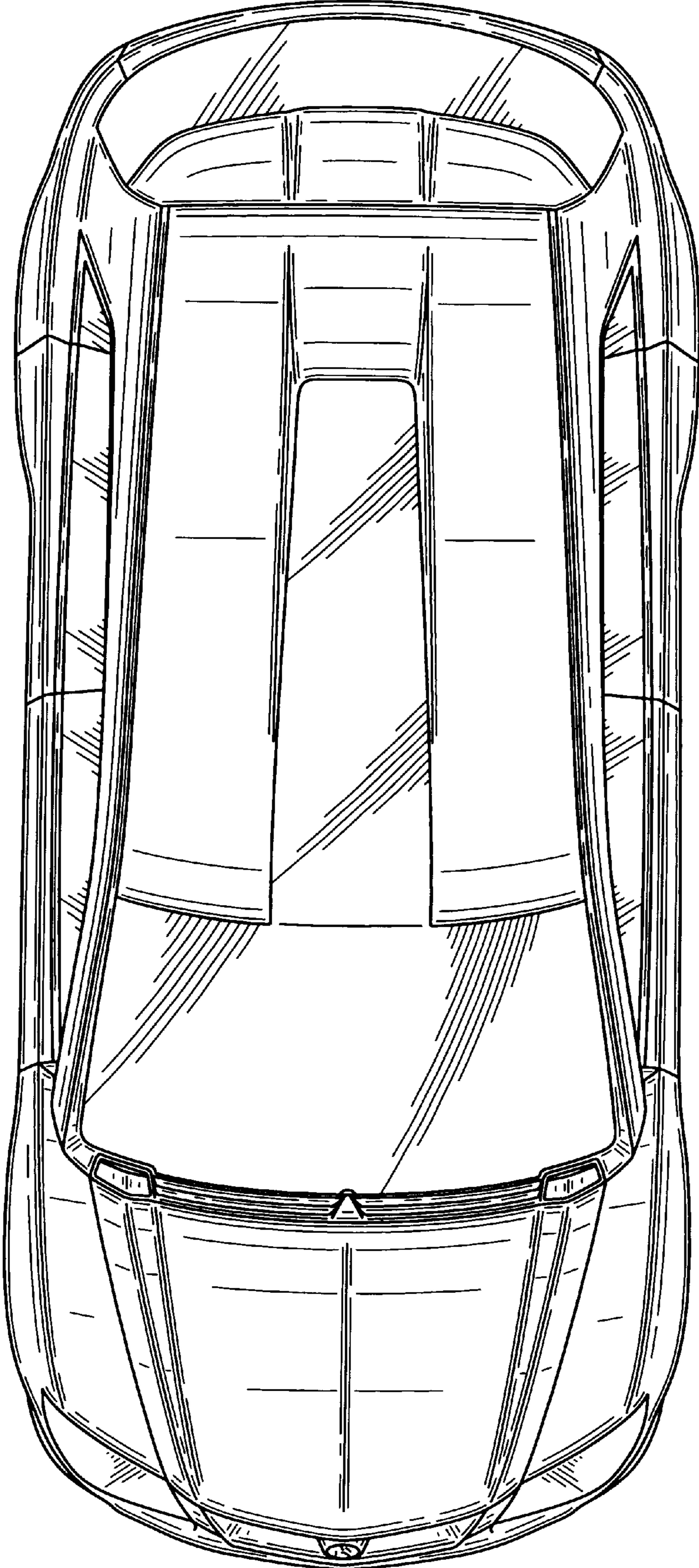


FIG. 6