

US00D515971S

(12) **United States Design Patent**
Essig

(10) **Patent No.:** **US D515,971 S**
(45) **Date of Patent:** **** Feb. 28, 2006**

(54) **SURFACE CONFIGURATION OF A GOLF CART AND/OR REPLICAS THEREOF**

Primary Examiner—Stacia Cadmus

(75) Inventor: **Hardy Essig**, Rutesheim (DE)

(74) *Attorney, Agent, or Firm*—Crowell & Moring LLP

(73) Assignee: **Dr. Ind. h.c.F. Porsche Aktiengesellschaft**, Stuttgart (DE)

(57) **CLAIM**

(**) Term: **14 Years**

The ornamental design for a surface configuration of a golf cart and/or replicas thereof, as shown and described.

(21) Appl. No.: **29/231,026**

(22) Filed: **Jun. 1, 2005**

(30) **Foreign Application Priority Data**

Dec. 2, 2004 (EM) 000262738

(51) **LOC (8) Cl.** **12-02**

(52) **U.S. Cl.** **D12/16**

(58) **Field of Classification Search** D12/1,
D12/16, 14, 107, 86; 280/DIG. 5; D34/15;
180/233, 908, 6.5, 89.1

See application file for complete search history.

DESCRIPTION

This application is related to the following co-pending applications, of the inventor, filed on even date herewith: Application Ser. No. 29/231,032, entitled “Surface Configuration of a Front Portion of a Golf Cart and/or Replicas Thereof”; Application Ser. No. 29/231,033, entitled “Surface Configuration of a Rear Portion of a Golf Cart and/or Replicas Thereof”; and Application Ser. No. 29/231,028, entitled “Surface Configuration of a Headlight for a Vehicle”.

FIG. 1 is a right, front perspective view of a surface configuration of a golf cart and/or replicas thereof according to my novel design;

FIG. 2 is a right, rear perspective view of the surface configuration of a golf cart and/or replicas thereof according to my novel design;

FIG. 3 is a left side view of the surface configuration of a golf cart and/or replicas thereof according to my novel design; and,

FIG. 4 is a front view of the surface configuration of a golf cart and/or replicas thereof according to my novel design.

The broken lines are for illustrative purposes only and form no part of the claimed design.

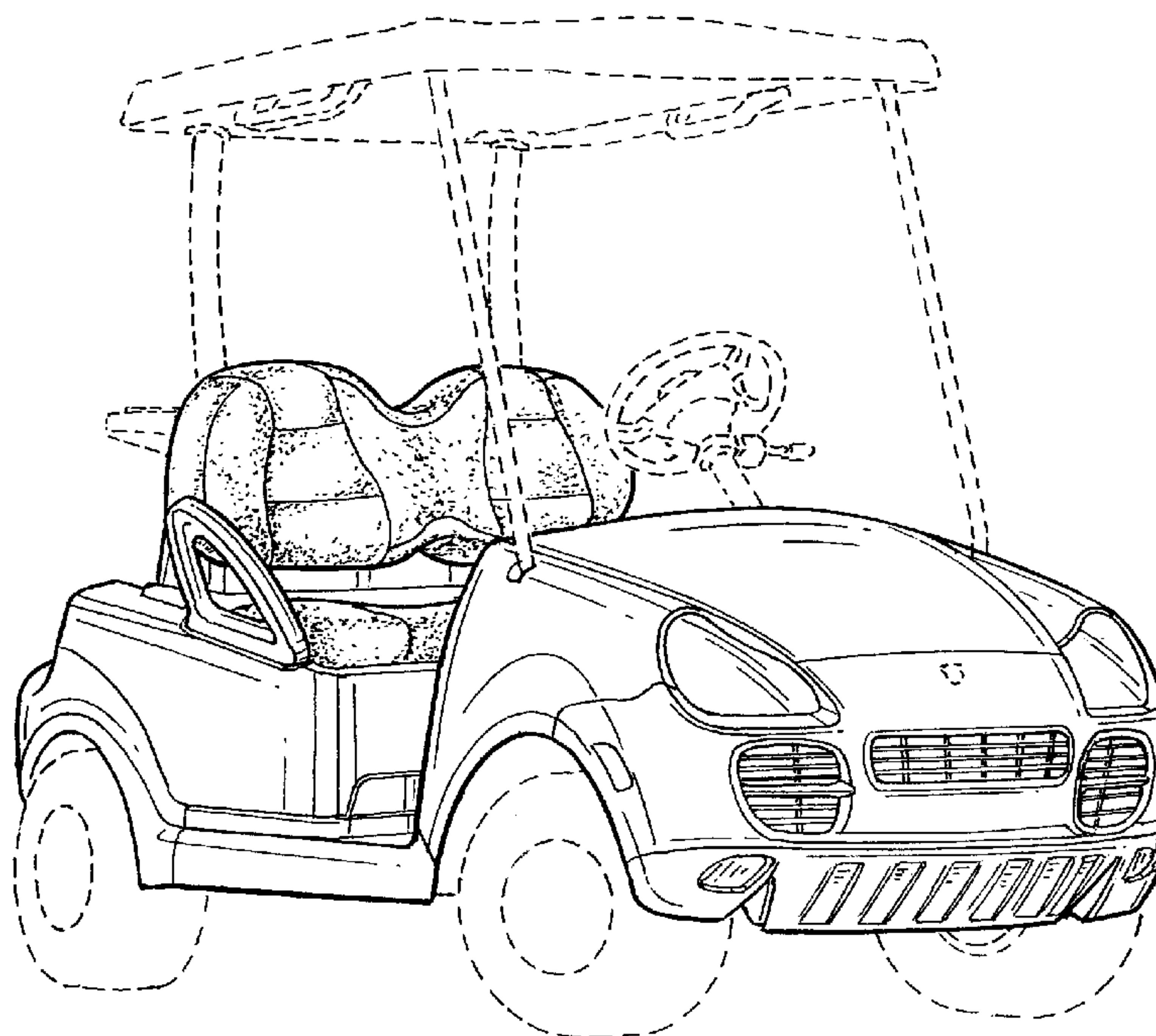
(56) **References Cited**

U.S. PATENT DOCUMENTS

D271,008 S	*	10/1983	Saporito	D12/16
D326,831 S	*	6/1992	Lanius et al.	D12/16
D345,718 S	*	4/1994	Molzon et al.	D12/16
D369,762 S	*	5/1996	Molzon et al.	D12/16
D373,099 S	*	8/1996	Molzon et al.	D12/16
D395,023 S	*	6/1998	Hikida	D12/16
D432,460 S	*	10/2000	Huang	D12/16
D483,694 S	*	12/2003	Bellington	D12/16
D498,704 S	*	11/2004	Bonner et al.	D12/16

* cited by examiner

1 Claim, 4 Drawing Sheets



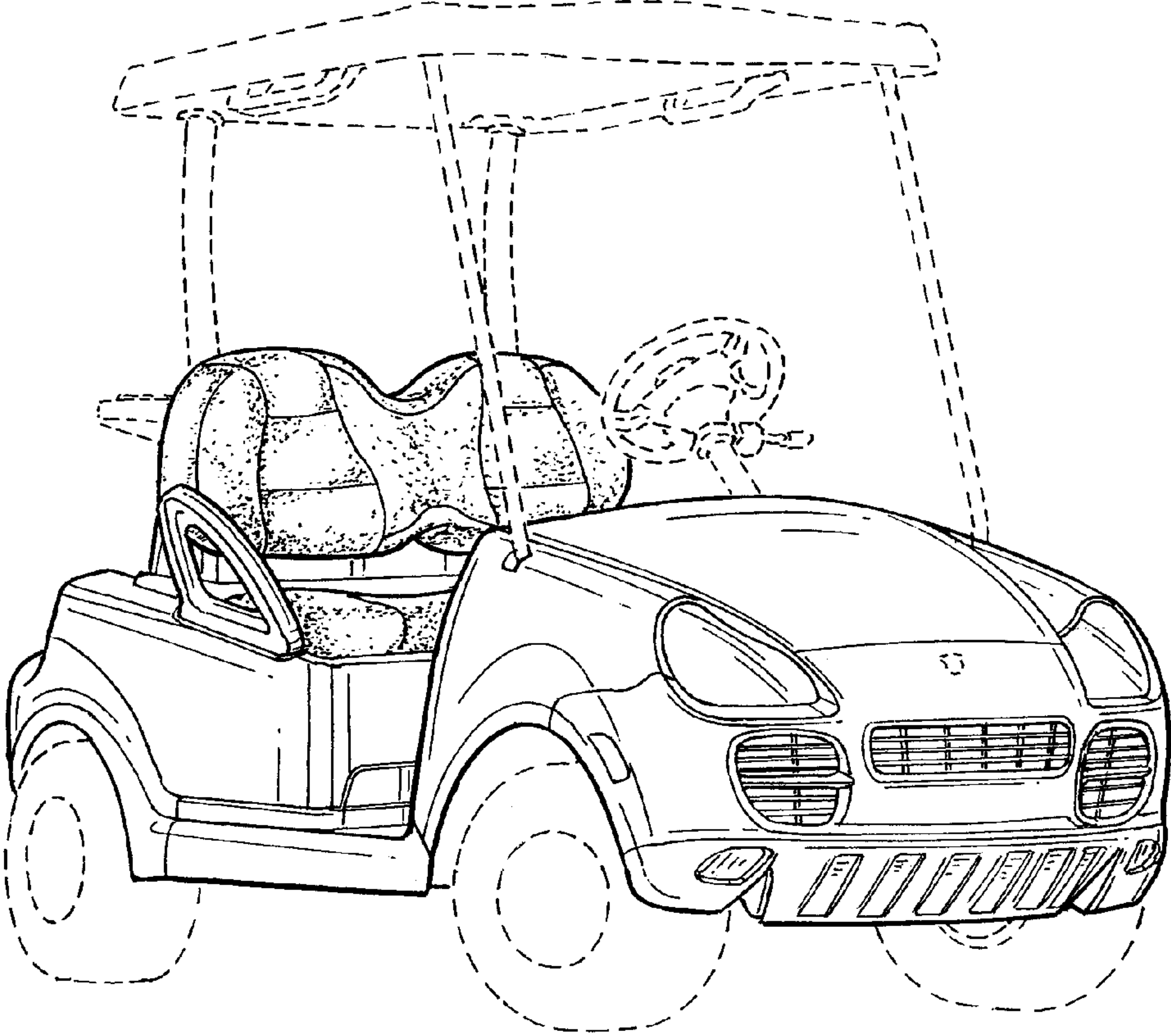


FIG. 1

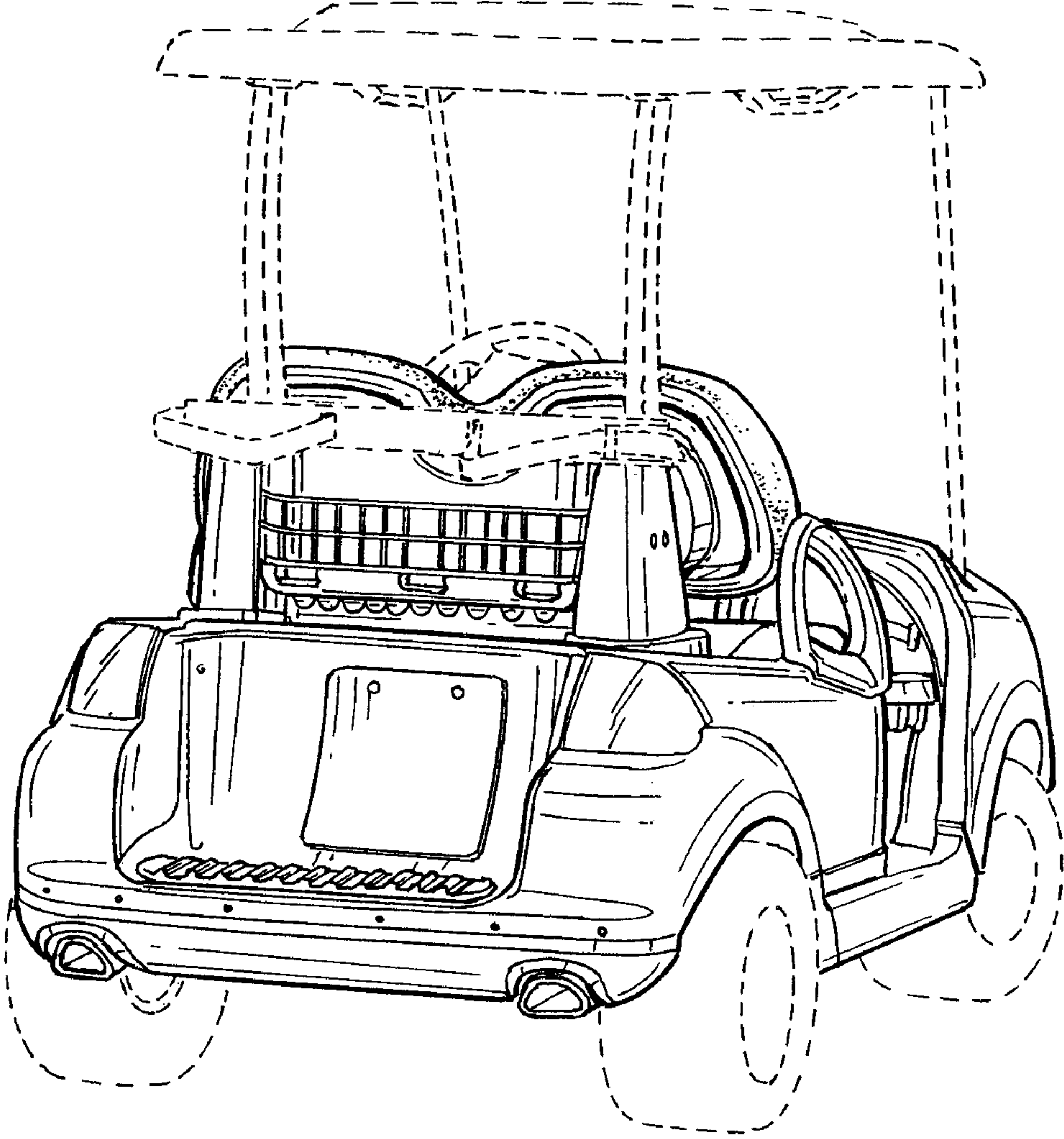


FIG. 2

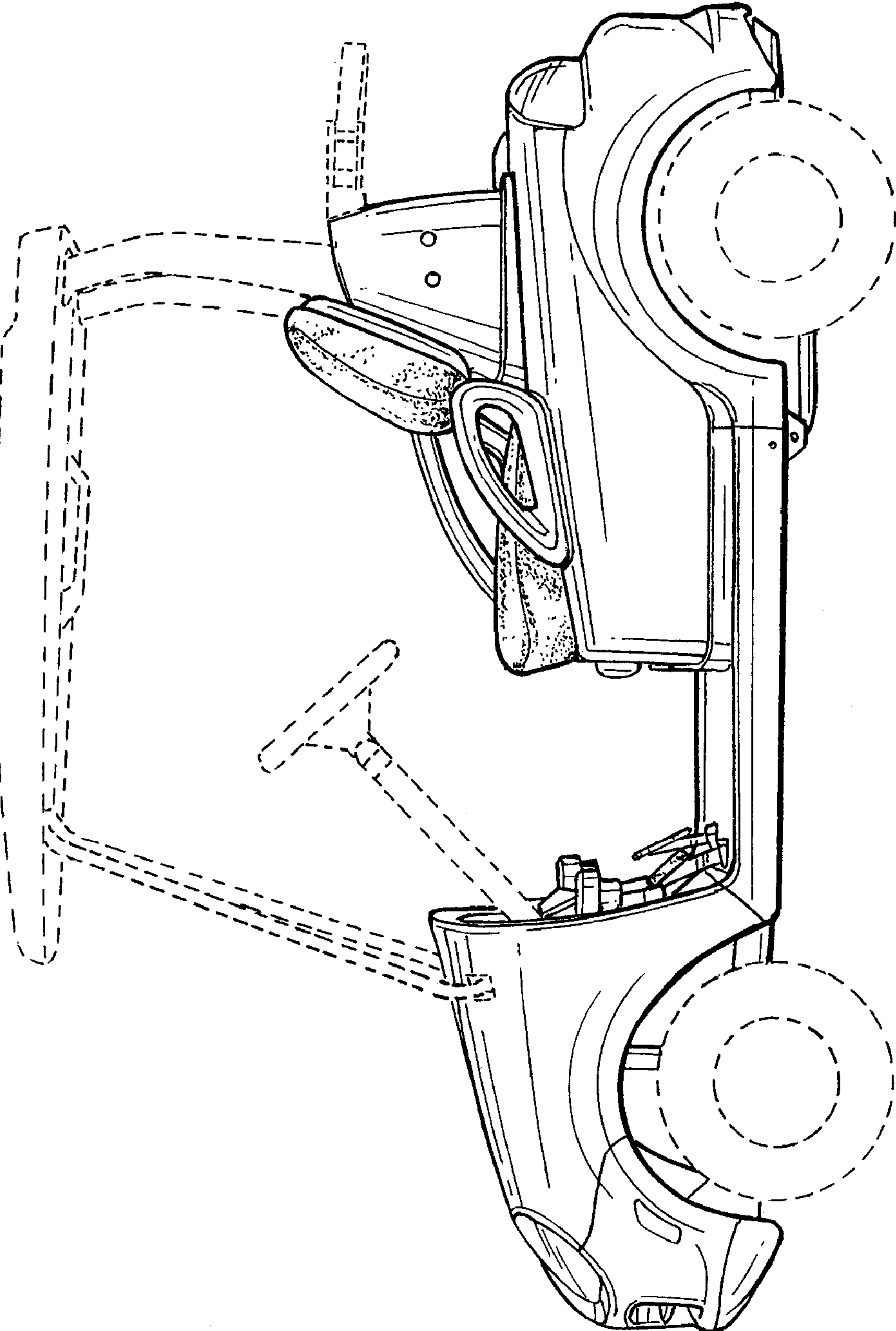


FIG. 3

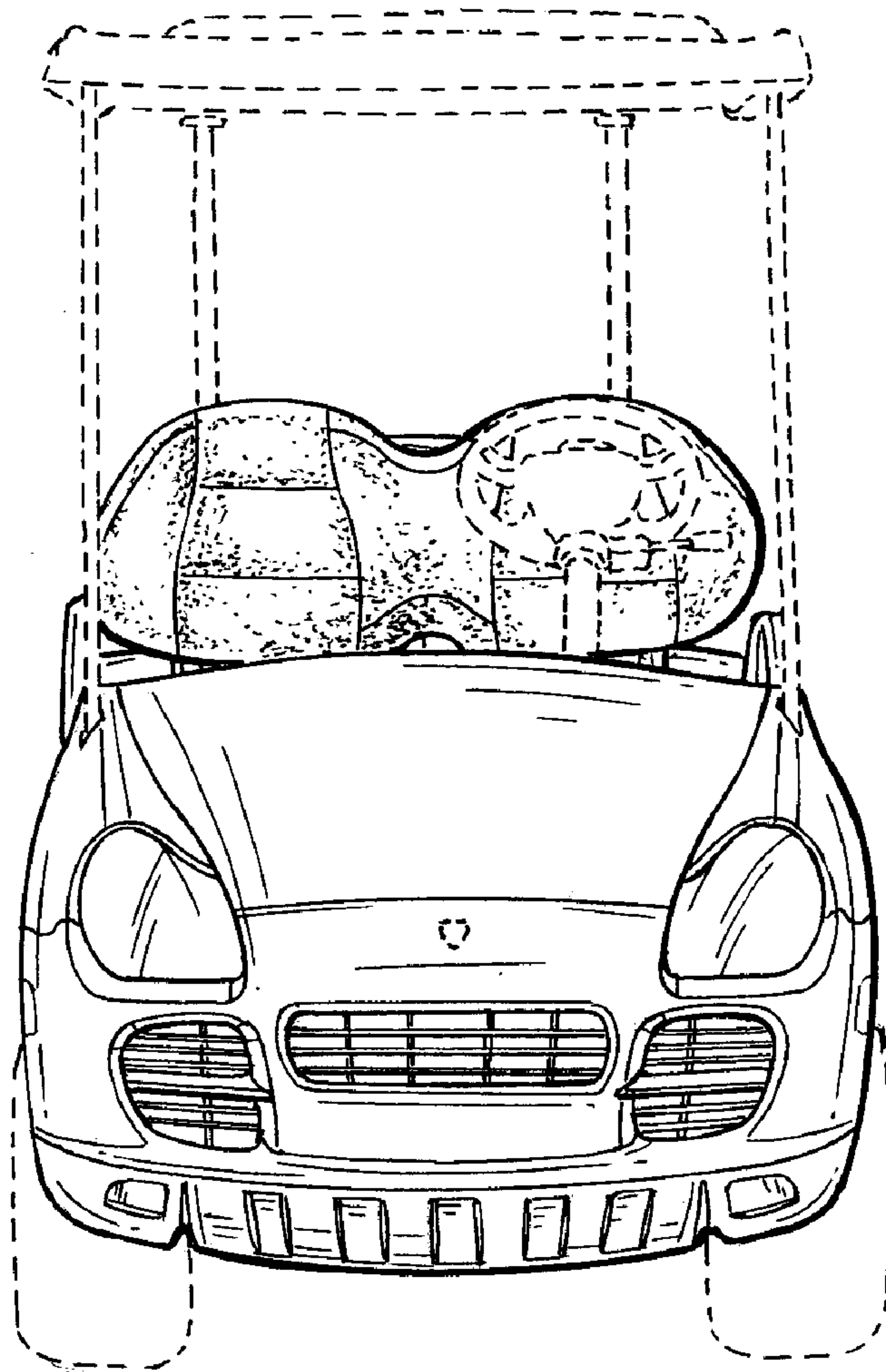


FIG. 4