



US00D515970S

(12) **United States Design Patent**
Hensen

(10) **Patent No.: US D515,970 S**

(45) **Date of Patent: ** Feb. 28, 2006**

(54) **PLANT POT**

(75) **Inventor: Edward R. Hensen, Brantford (CA)**

(73) **Assignee: ITML Horticultural Products Incorporated, Brantford (CA)**

(**) **Term: 14 Years**

(21) **Appl. No.: 29/219,189**

(22) **Filed: Dec. 15, 2004**

Related U.S. Application Data

(62) Division of application No. 29/196,999, filed on Jan. 8, 2004, now Pat. No. Des. 505,882.

(51) **LOC (8) Cl. 11-02**

(52) **U.S. Cl. D11/153**

(58) **Field of Classification Search** D7/527,
D7/560, 564, 565, 566; D9/428, 429; D11/143-146,
D11/148, 149, 150, 151, 152, 153, 154; 47/41.01,
47/65.5, 65.7, 66.6, 67; 206/423

See application file for complete search history.

(56) **References Cited**

U.S. PATENT DOCUMENTS

D20,133 S	*	9/1890	Whilldin	D11/152
3,192,665 A	*	7/1965	Cloud	47/80
3,288,340 A	*	11/1966	Shapiro et al.	206/519
3,307,602 A	*	3/1967	Boster	220/254.7
3,783,555 A	*	1/1974	Peters	47/79
D241,796 S	*	10/1976	Dziewulski	D11/148
D286,249 S	*	10/1986	Carlson	D7/587
D305,875 S	*	2/1990	Morritt et al.	D11/143
D322,047 S	*	12/1991	Wolfenden	D11/153

D359,708 S	*	6/1995	Boscato	D11/152
5,445,396 A	*	8/1995	Sebor	280/33.998
D367,242 S	*	2/1996	Deelen	D11/148
D398,259 S	*	9/1998	Niemiec	D11/151
D404,682 S	*	1/1999	Baran et al.	D11/152
D409,946 S	*	5/1999	Hensen	D11/152
D410,592 S	*	6/1999	Niemiec	D11/151
6,339,899 B1	*	1/2002	Lehmann	47/65.5
D483,690 S	*	12/2003	Sieverding	D11/152
2005/0005516 A1	*	1/2005	Schmidt	47/65.5

OTHER PUBLICATIONS

Dillen Prodcuts A Myer's Industries Company, Listo Products from Dillen, 2001-2004 Dillen Products / Myers Industries, Inc., pp. 1-5.

* cited by examiner

Primary Examiner—Jeffrey Asch

Assistant Examiner—Elizabeth Albert

(74) *Attorney, Agent, or Firm*—Jeffery W. Wong; Borden Ladner Gervais LLP

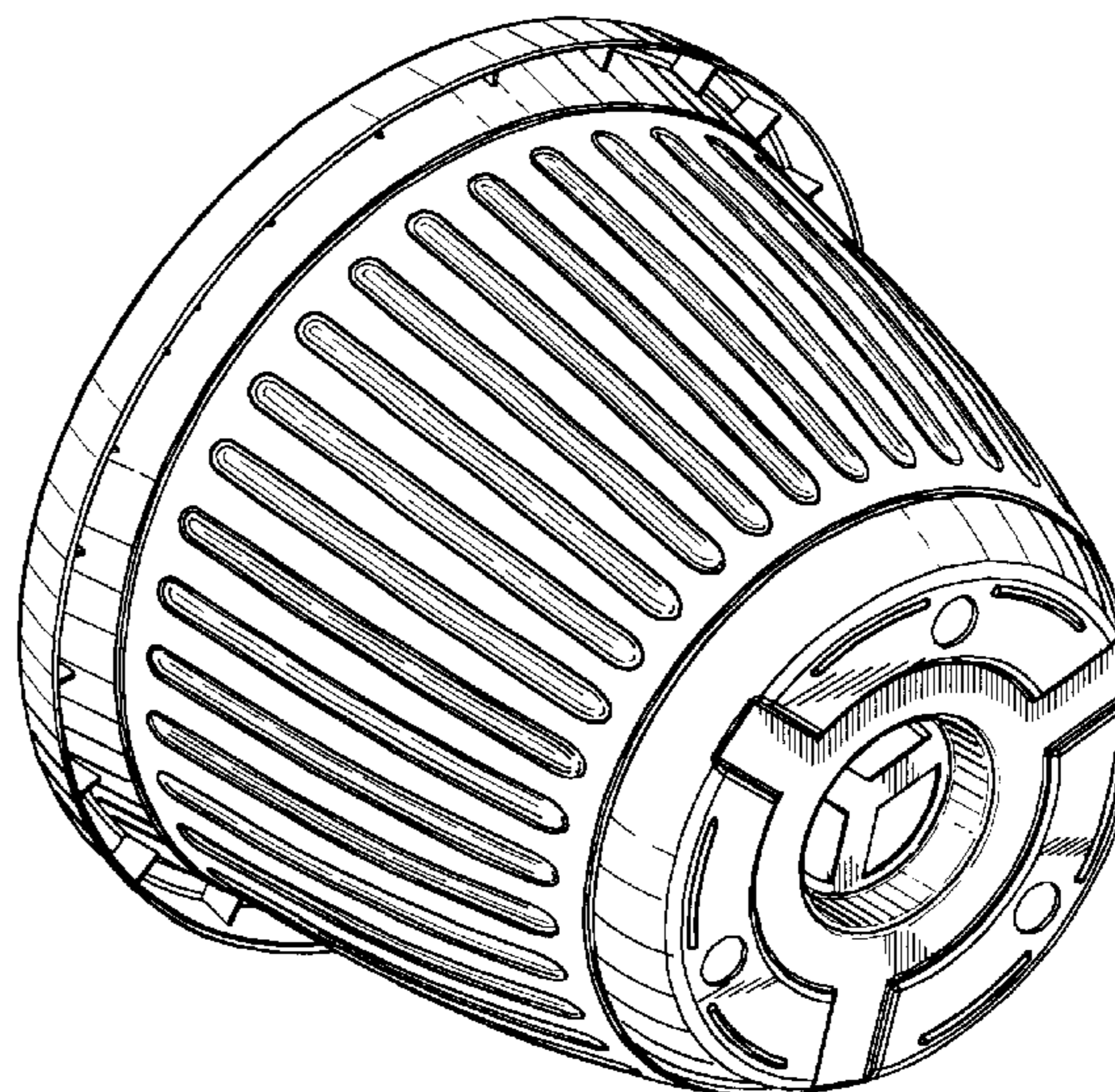
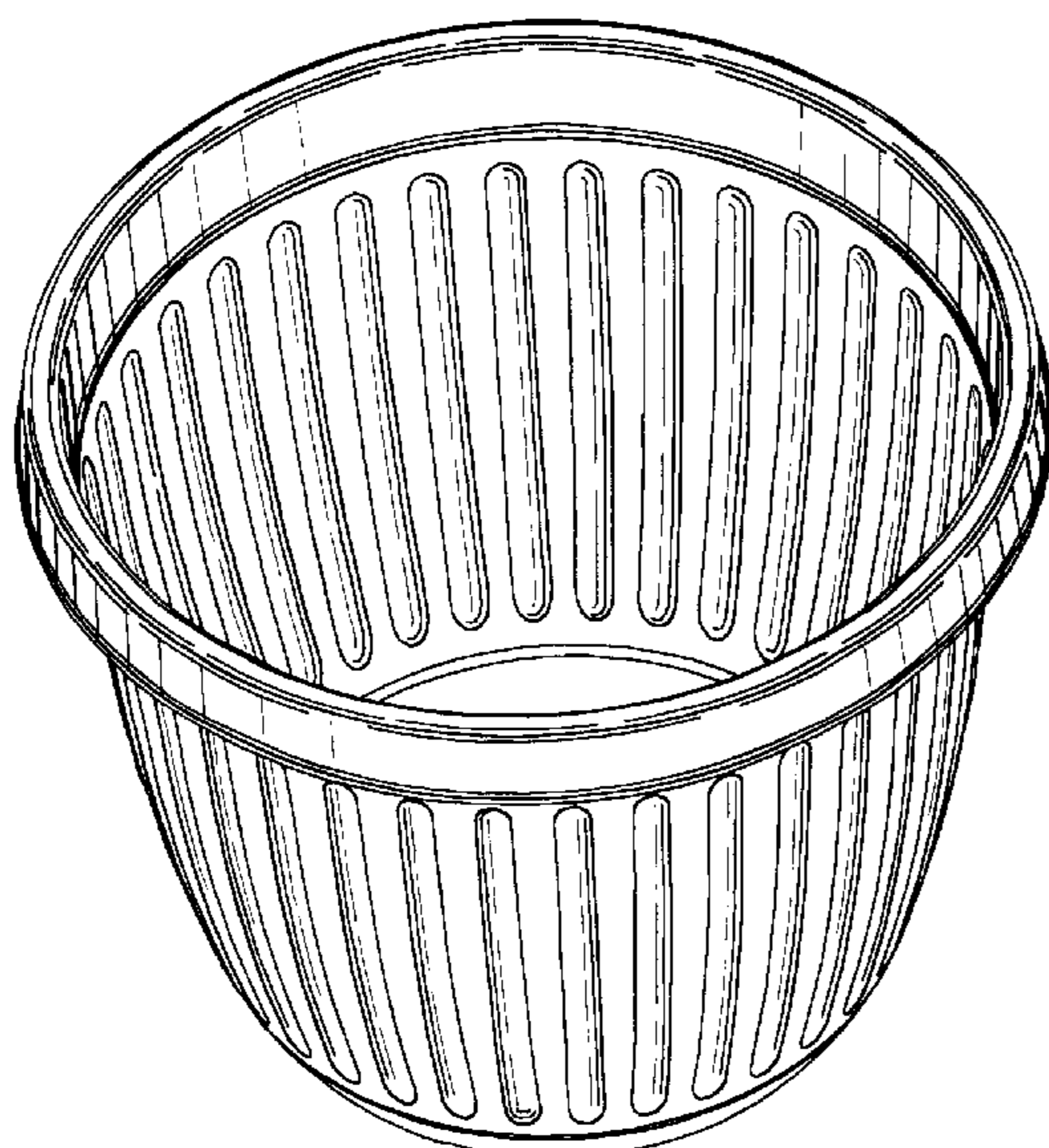
(57) **CLAIM**

I claim the ornamental design for plant pot, as shown and described.

DESCRIPTION

FIG. 1 is an elevation view of the plant pot;
FIG. 2 is a top view of the plant pot;
FIG. 3 is a bottom view of the plant pot;
FIG. 4 is a perspective view of the plant pot, from above; and,
FIG. 5 is a perspective view of the plant pot, from below.

1 Claim, 3 Drawing Sheets



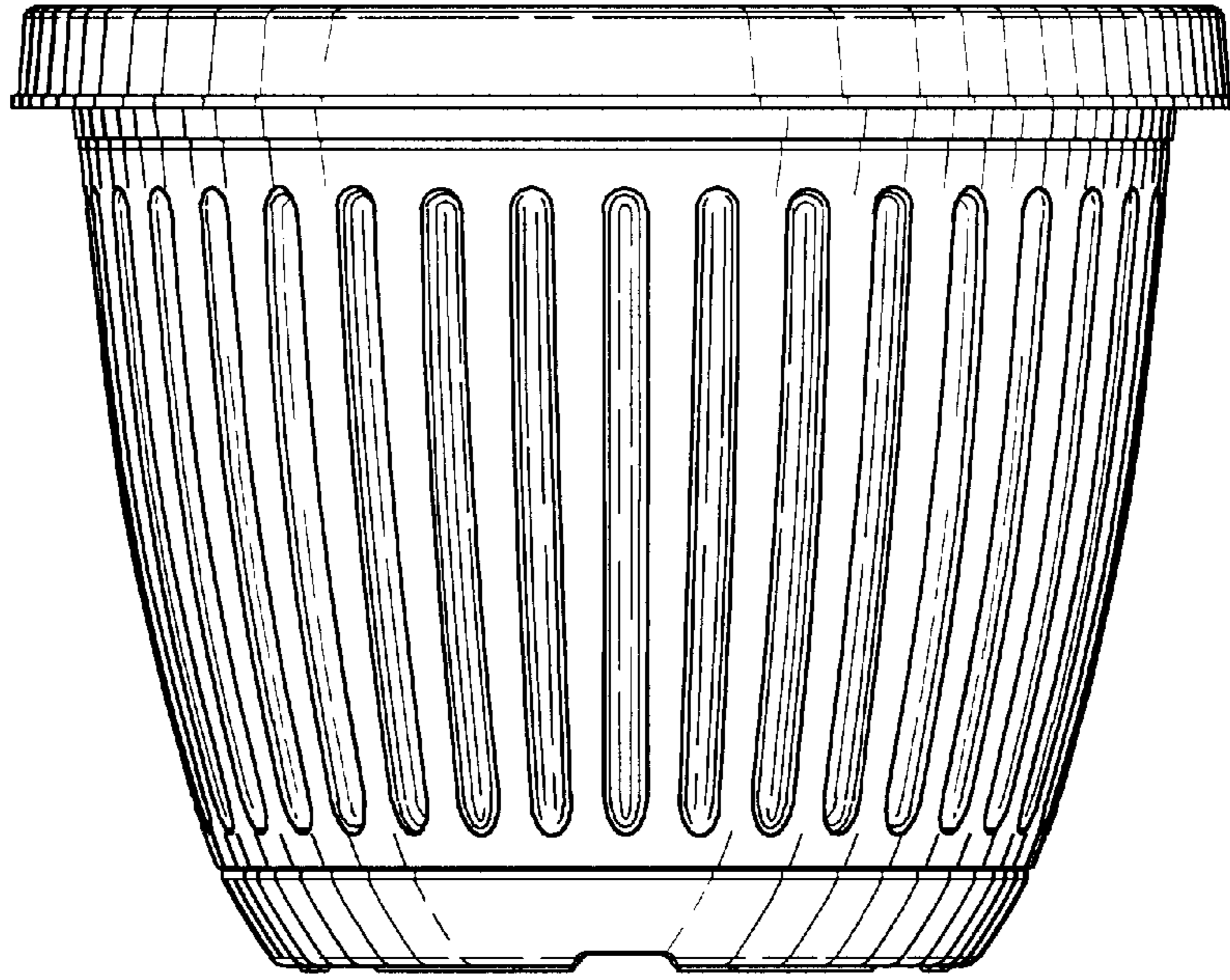


FIG. 1

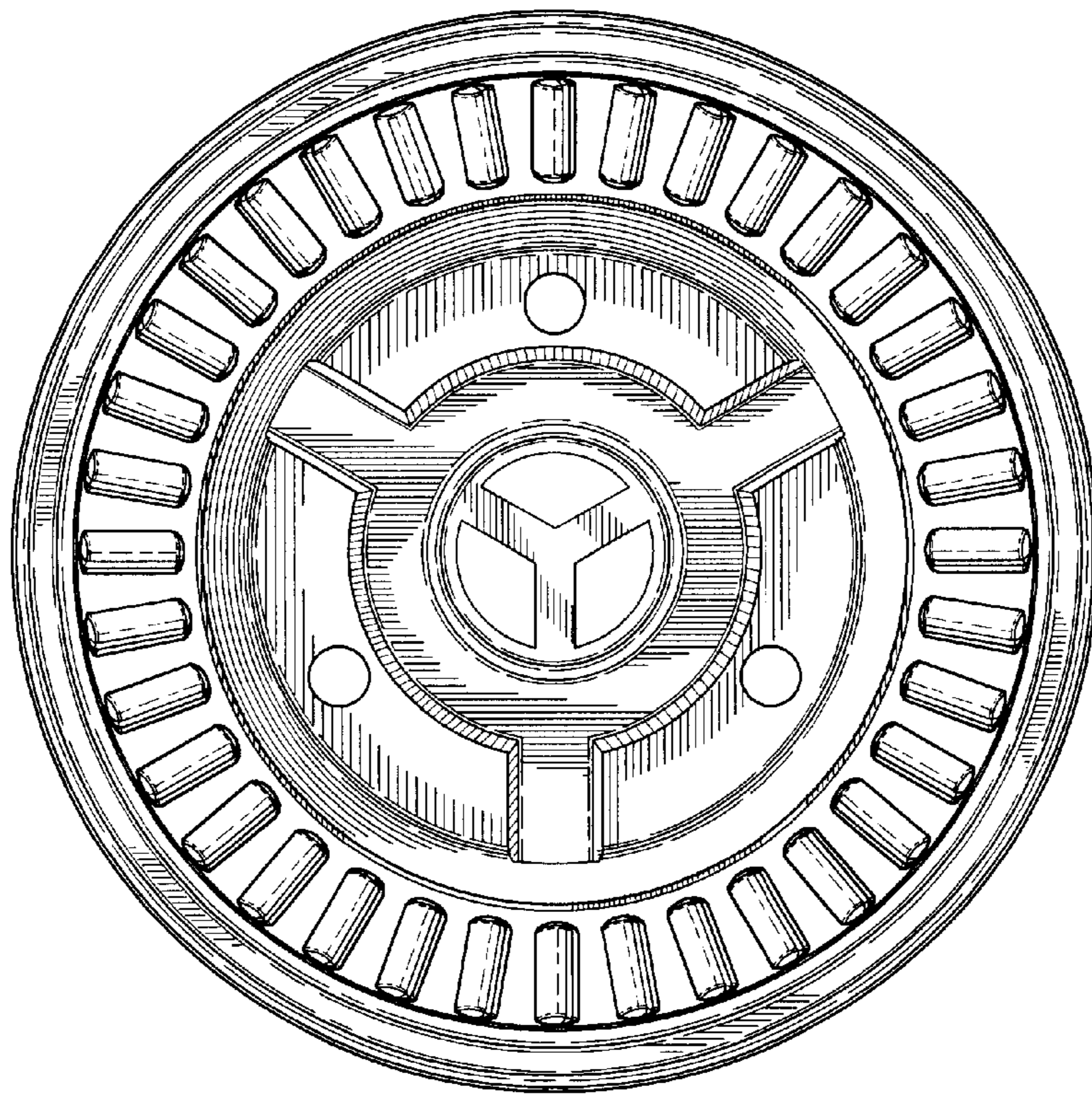


FIG. 2

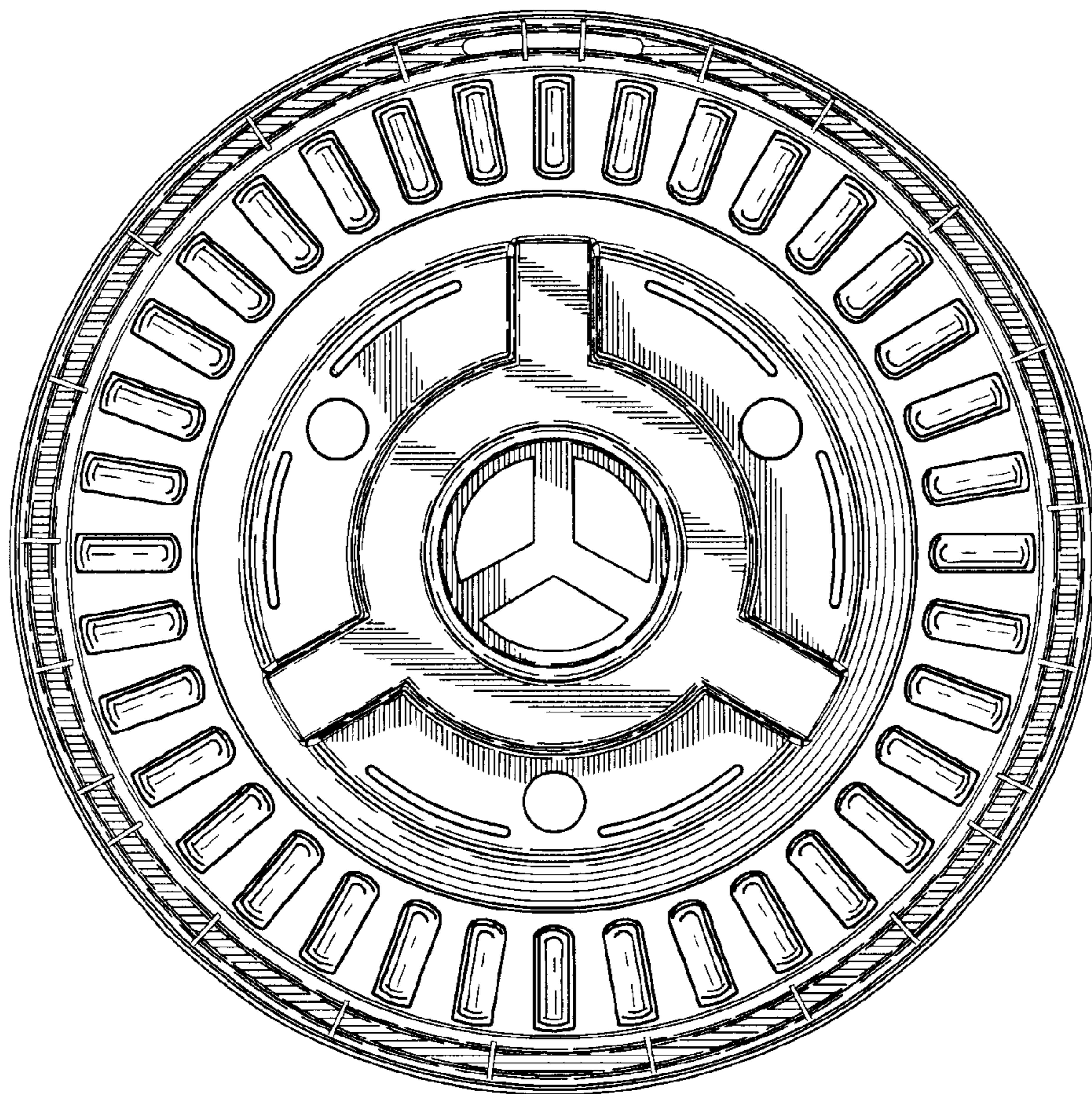


FIG.3

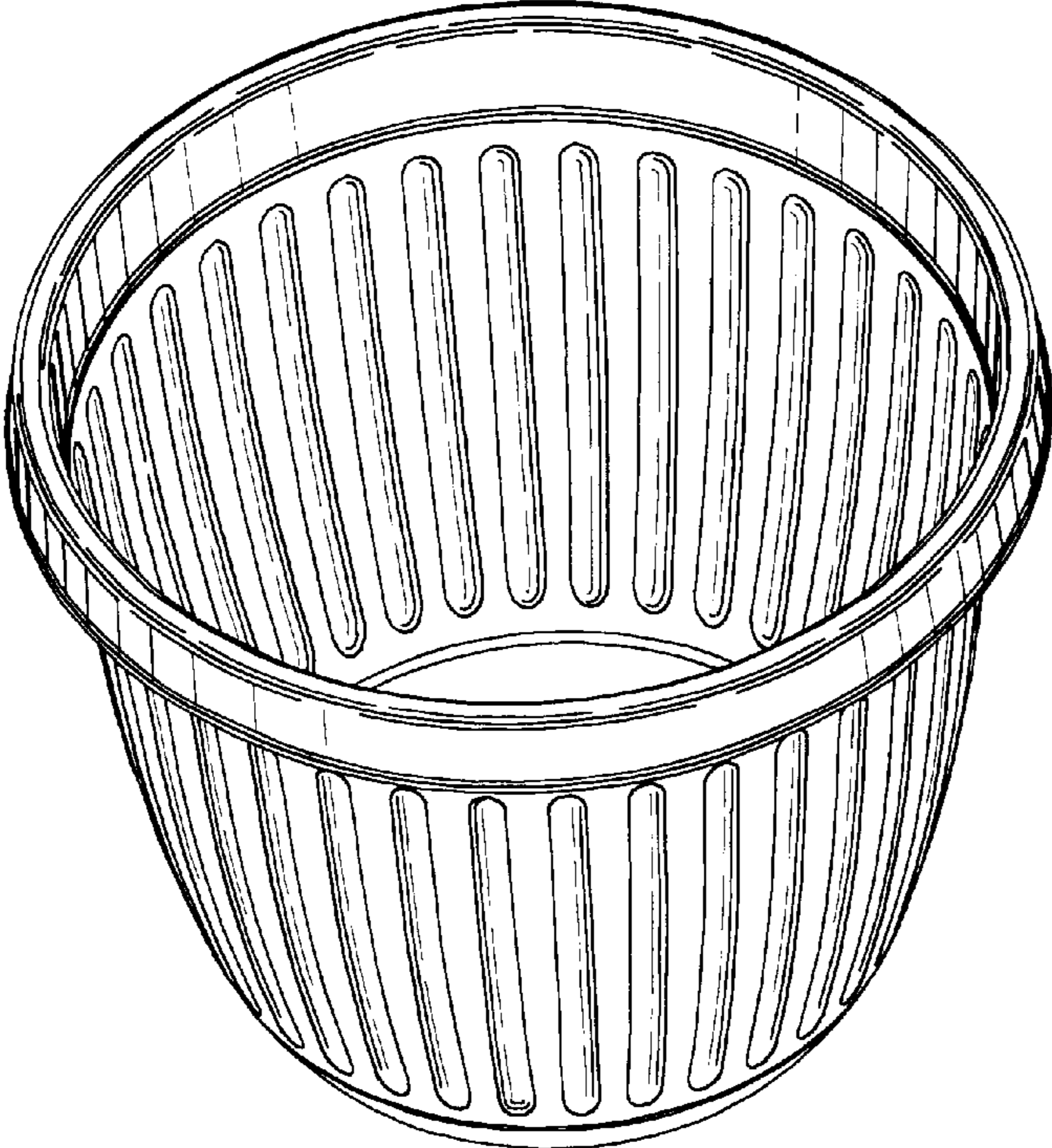


FIG. 4

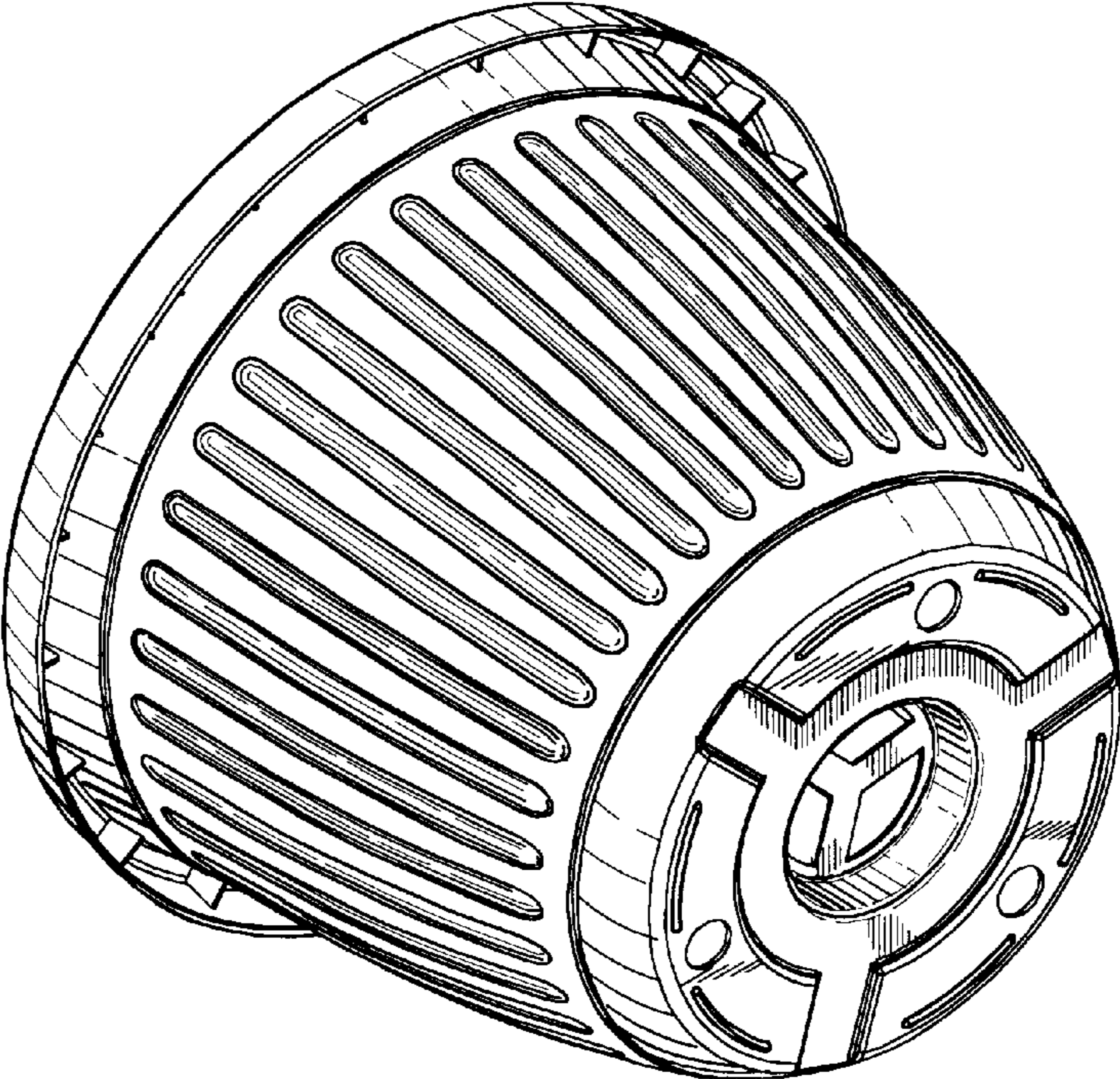


FIG. 5