



US00D515966S

(12) **United States Design Patent** (10) **Patent No.:** **US D515,966 S**  
**Loy** (45) **Date of Patent:** **\*\* Feb. 28, 2006**

(54) **ELASTIC CLIP ASSEMBLY FOR MONEY AND/OR CARDS**

(76) Inventor: **Donald A. Loy**, 820 Sherwood Rd., Charleston, WV (US) 25314

(\*\*) Term: **14 Years**

(21) Appl. No.: **29/201,670**

(22) Filed: **Mar. 19, 2004**

(51) **LOC (8) Cl.** ..... **11-01**

(52) **U.S. Cl.** ..... **D11/78.1**

(58) **Field of Classification Search** ..... D11/78.1;  
D3/215, 247; 40/630, 633; D19/26; 224/222;  
D8/395; 24/60, 485; 453/50  
See application file for complete search history.

(56) **References Cited**

**U.S. PATENT DOCUMENTS**

3,100,494 A	*	8/1963	Littmann	.....	453/50
D368,868 S	*	4/1996	Velleco	.....	D11/78.1
D370,688 S	*	6/1996	Drew	.....	D18/15
D384,591 S	*	10/1997	Richards	.....	D11/78.1
D428,823 S	*	8/2000	Davi	.....	D11/78.1
D447,438 S	*	9/2001	DiLibero	.....	D11/78.1

\* cited by examiner

*Primary Examiner*—Ralf Seifert  
(74) *Attorney, Agent, or Firm*—Connolly, Bove, Lodge & Hutz LLP

(57) **CLAIM**

The ornamental design for an elastic clip assembly for money and/or cards, as shown and described.

**DESCRIPTION**

FIG. 1 is a perspective view of a first embodiment of an elastic clip assembly for money and/or cards showing my new design.

FIG. 2 is a top plan view of the design.

FIG. 3 is a bottom plan view of the design.

FIG. 4 is a front elevation view of the design.

FIG. 5 is a rear elevation view of the design.

FIG. 6 is a left side elevation view of the design.

FIG. 7 is a right side elevation view of the design.

FIG. 8 is a perspective view of an elastic clip assembly for money and/or cards showing a second embodiment of my new design;

FIG. 9 is a perspective view of an elastic clip assembly for money and/or cards showing a third embodiment of my new design;

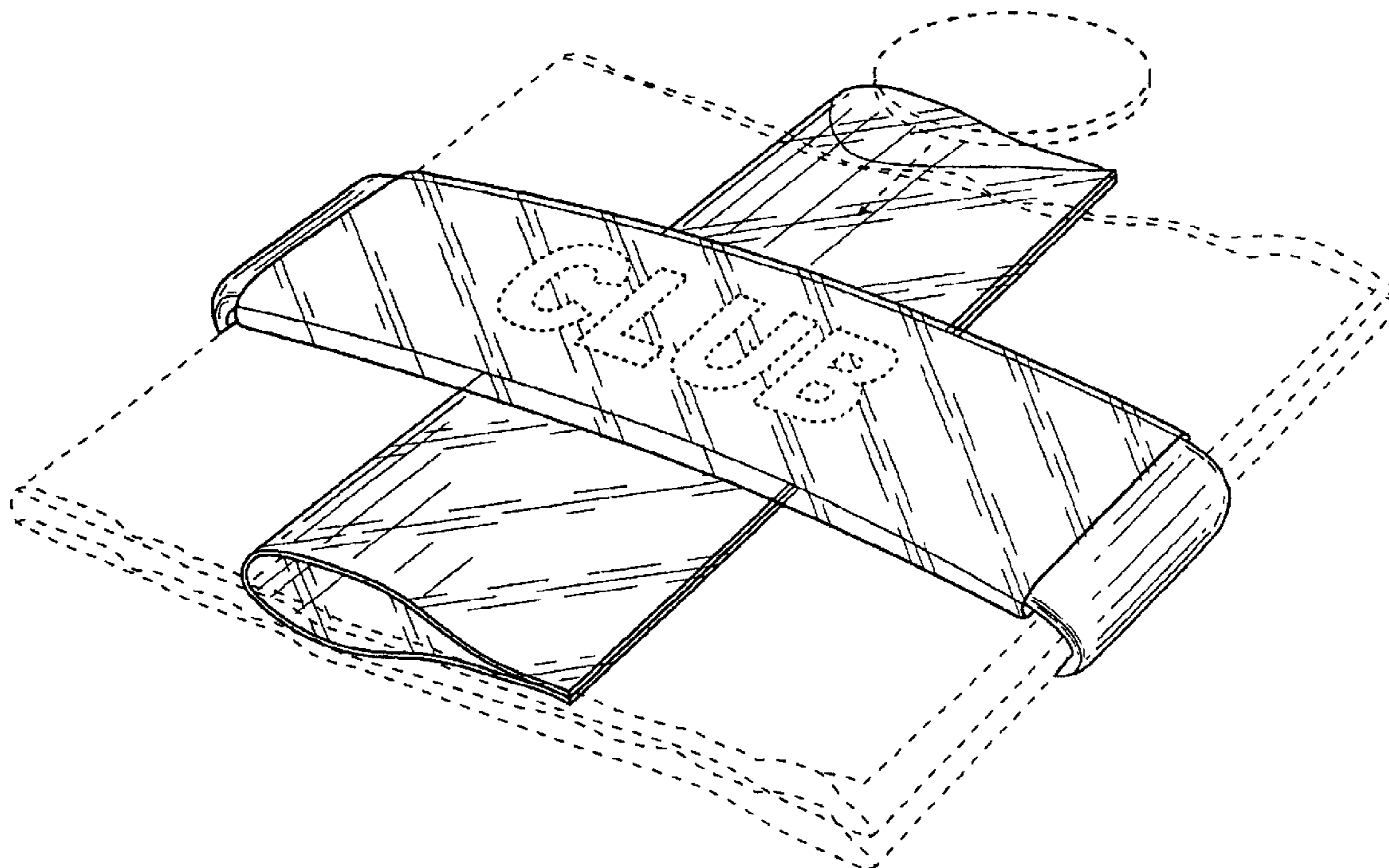
FIG. 10 is a perspective view of an elastic clip assembly for money and/or cards showing a third embodiment of my new design;

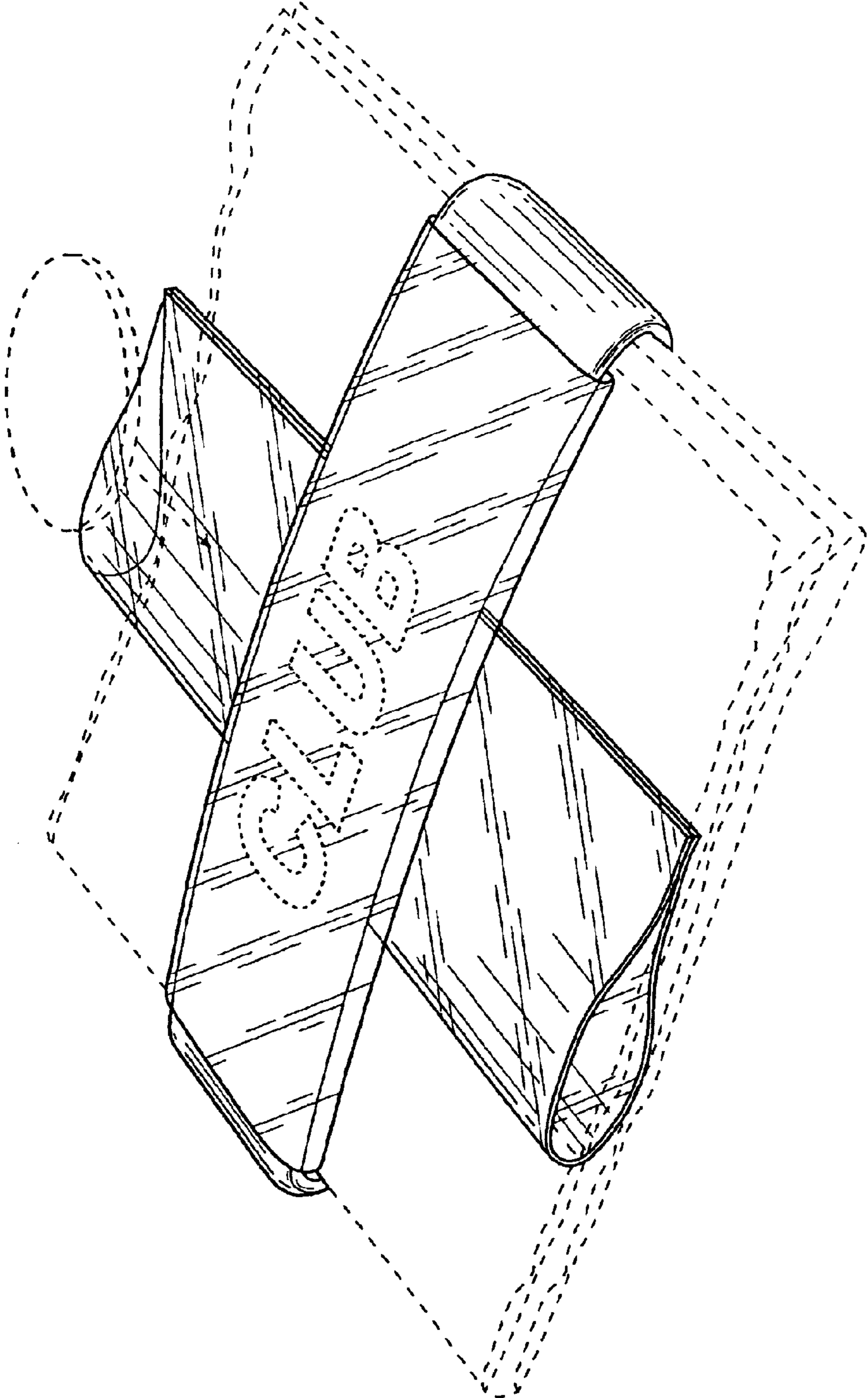
FIG. 11 is a front elevational view of FIG. 8; and,

FIG. 12 is a rear elevational view of FIG. 8.

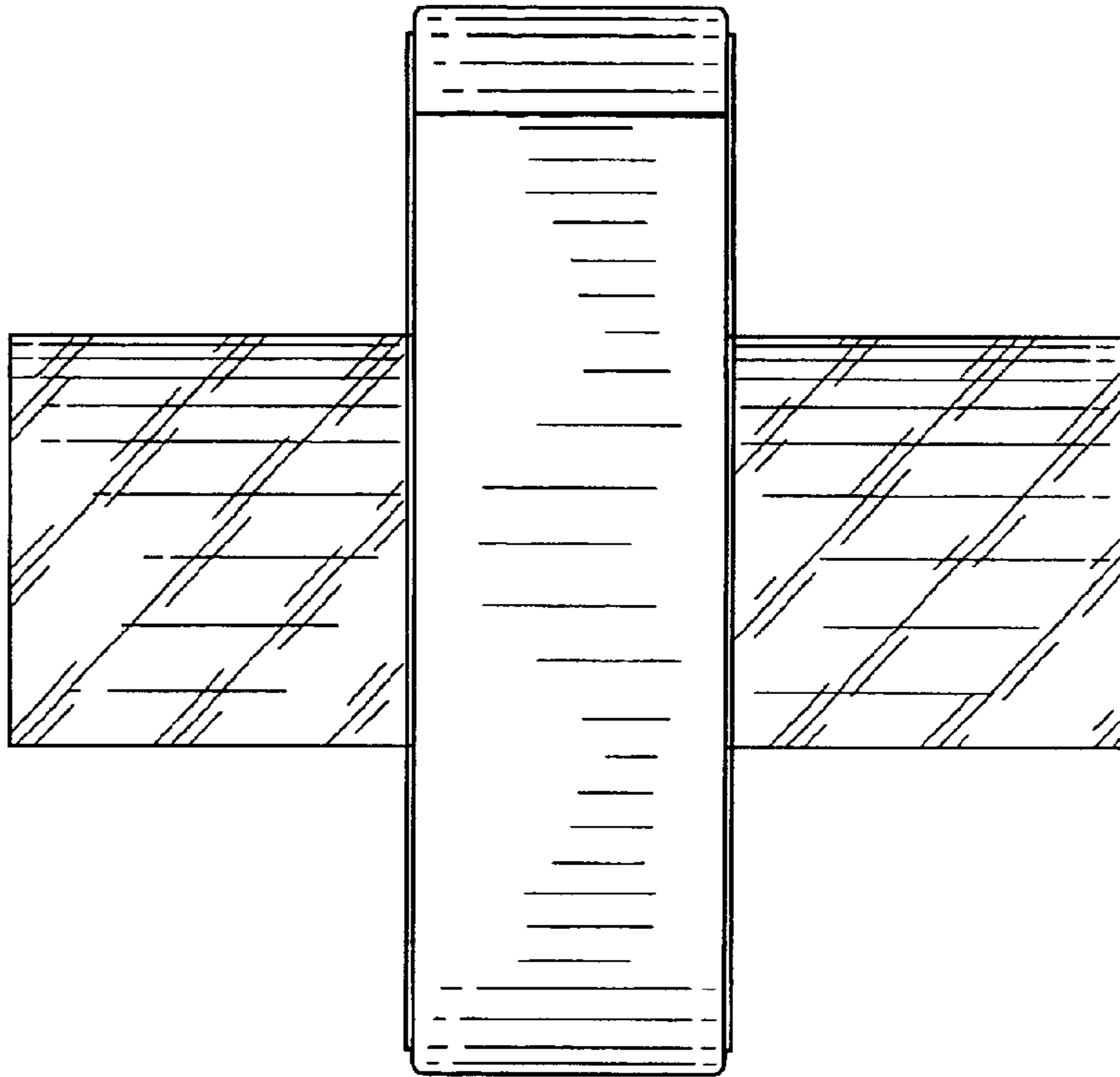
The broken lines in the drawings represent environmental subject matter and form no part of the claimed design.

**1 Claim, 8 Drawing Sheets**

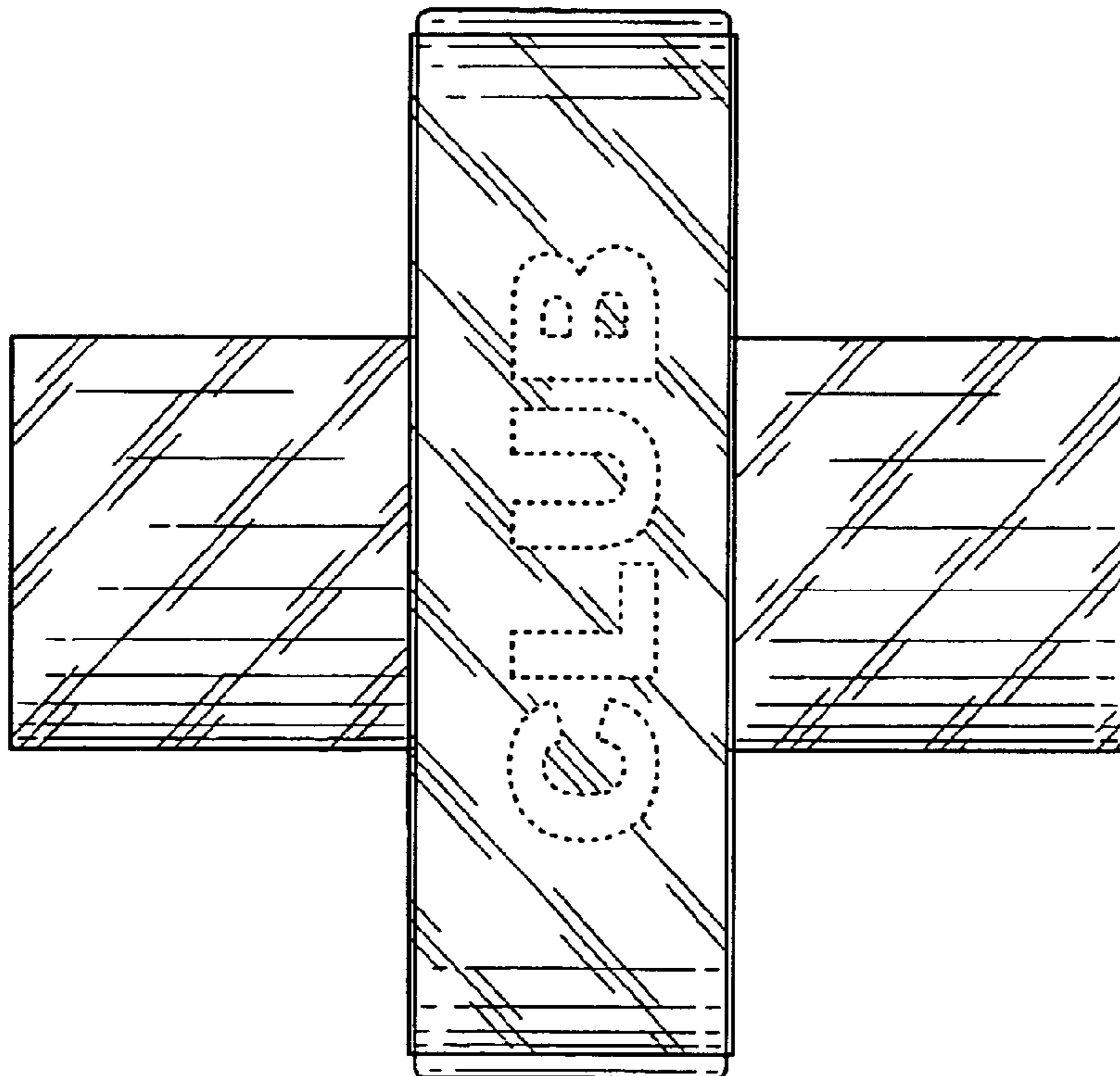




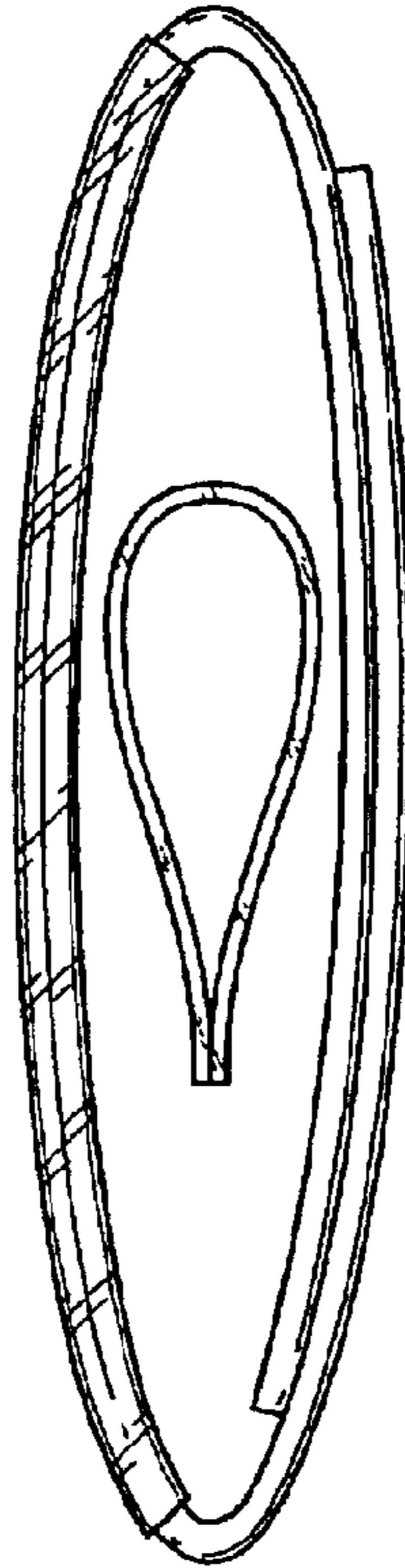
**FIG. 1**



**FIG. 3**



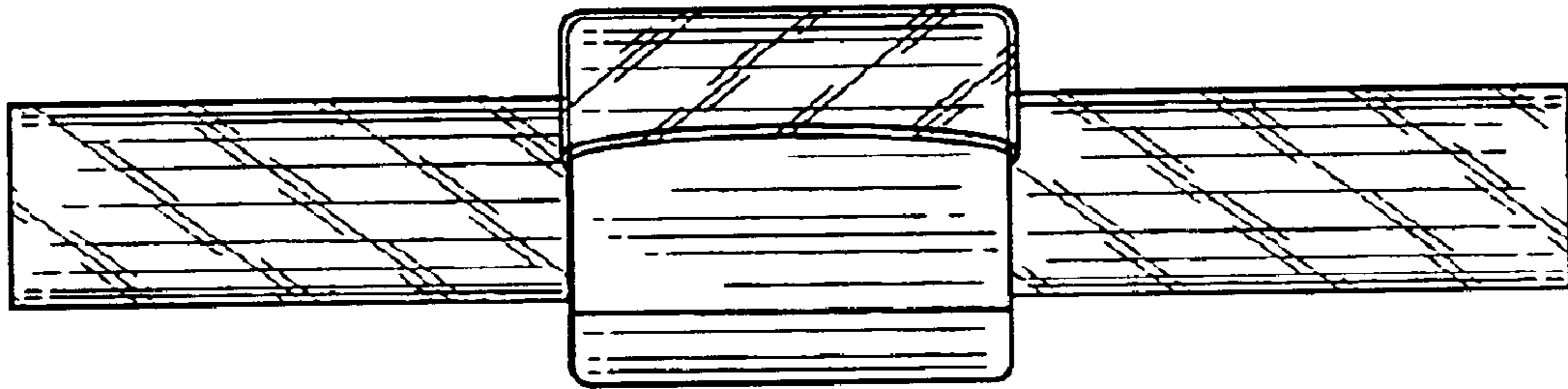
**FIG. 2**



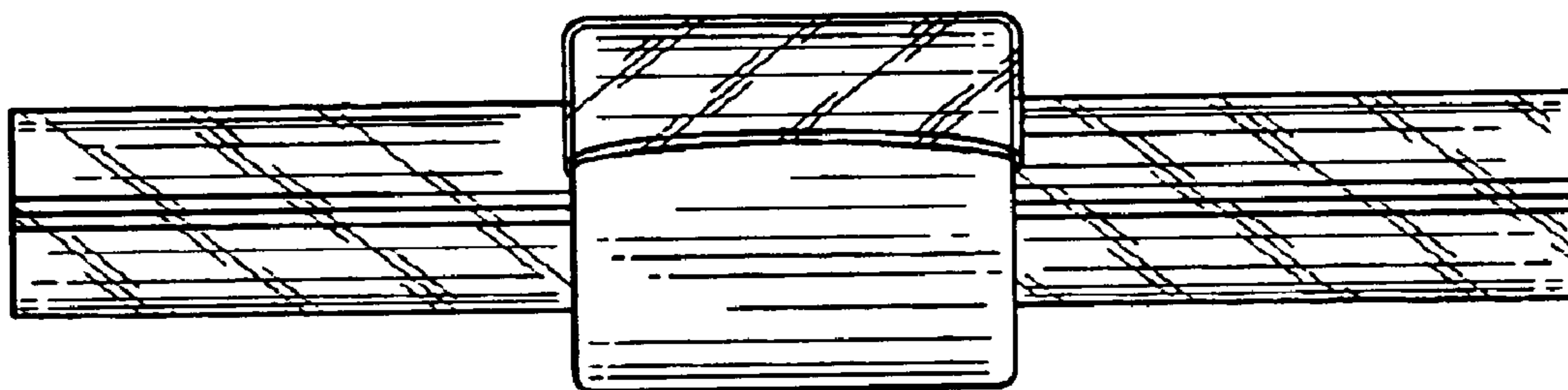
**FIG. 5**



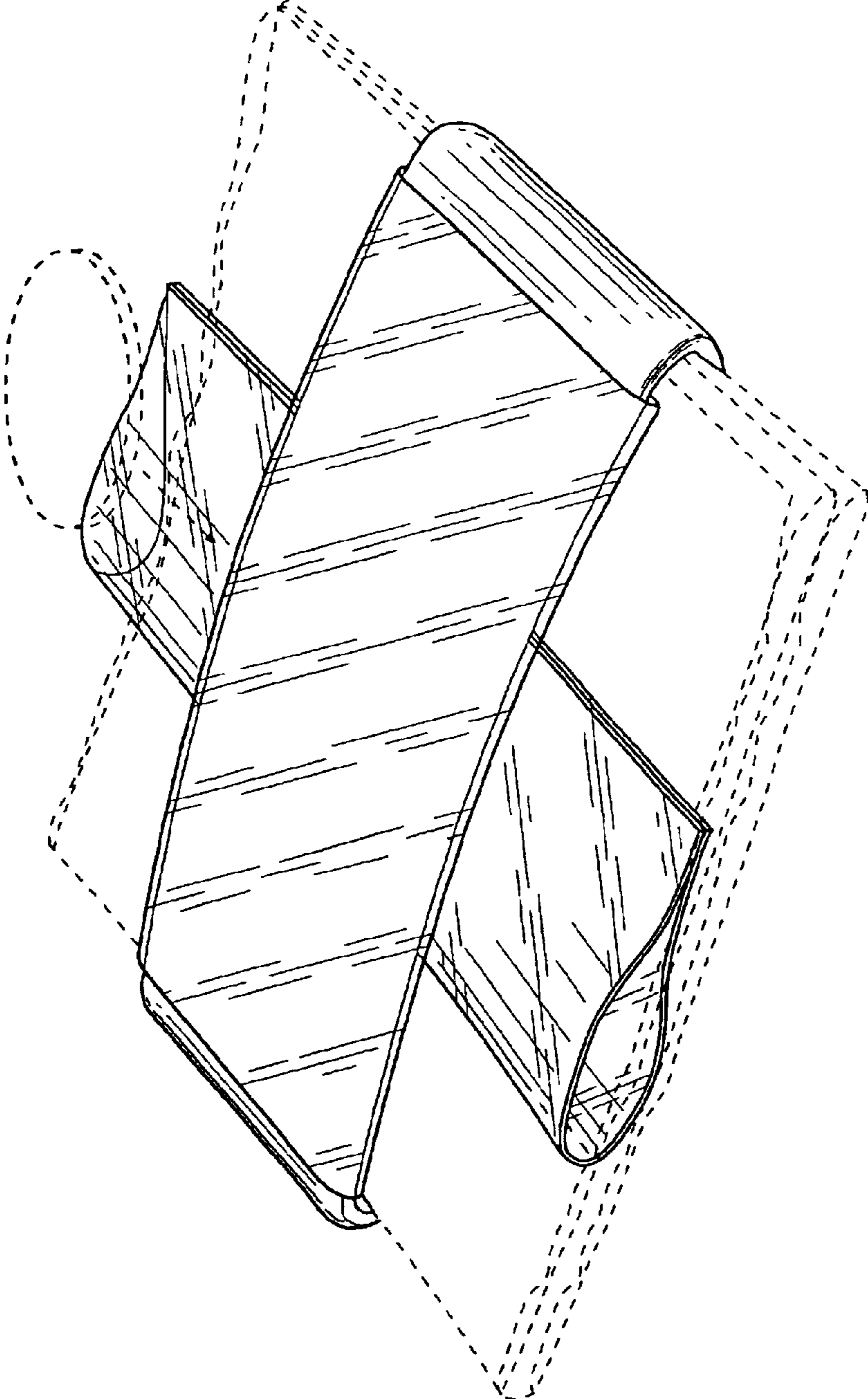
**FIG. 4**



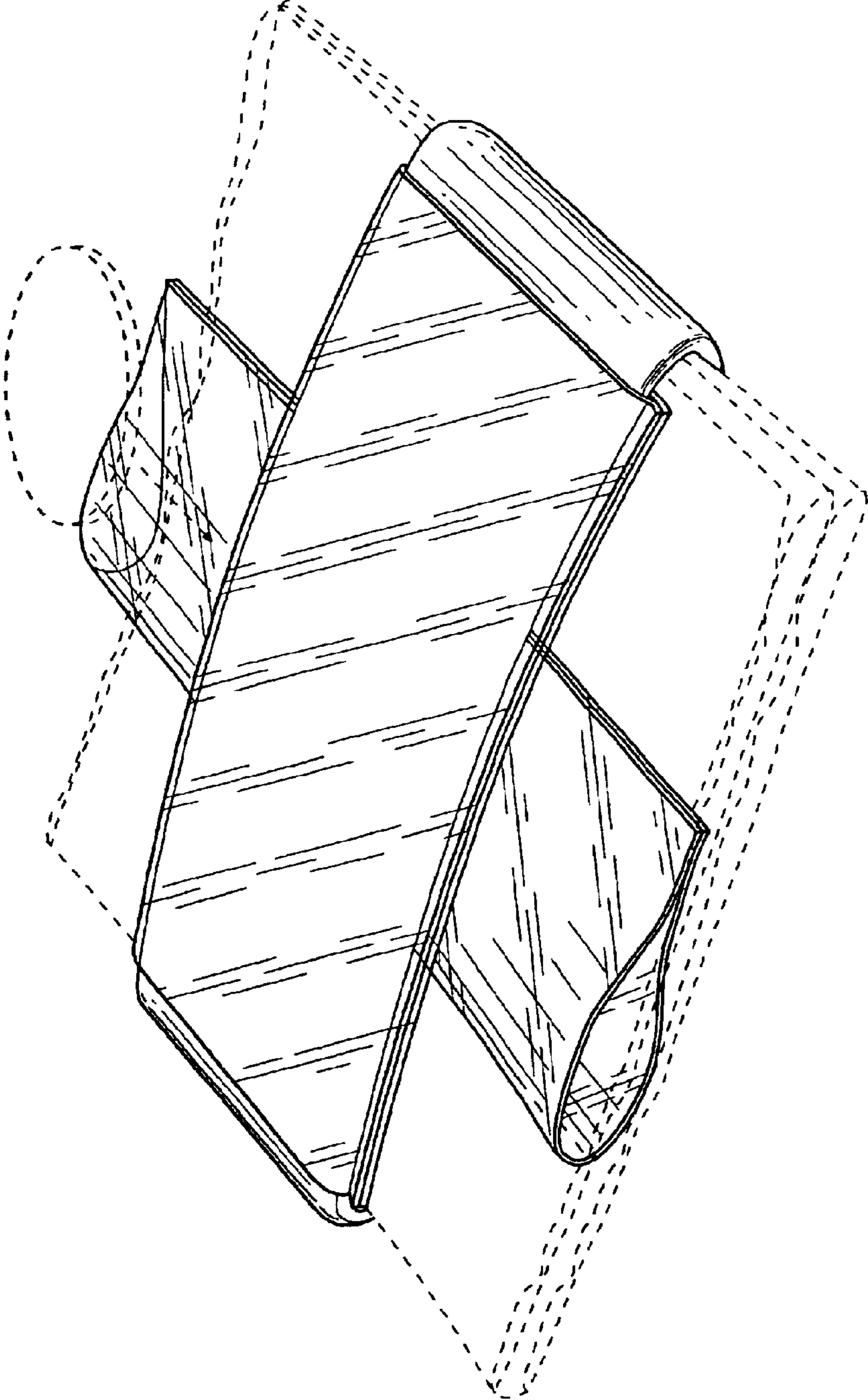
**FIG. 6**



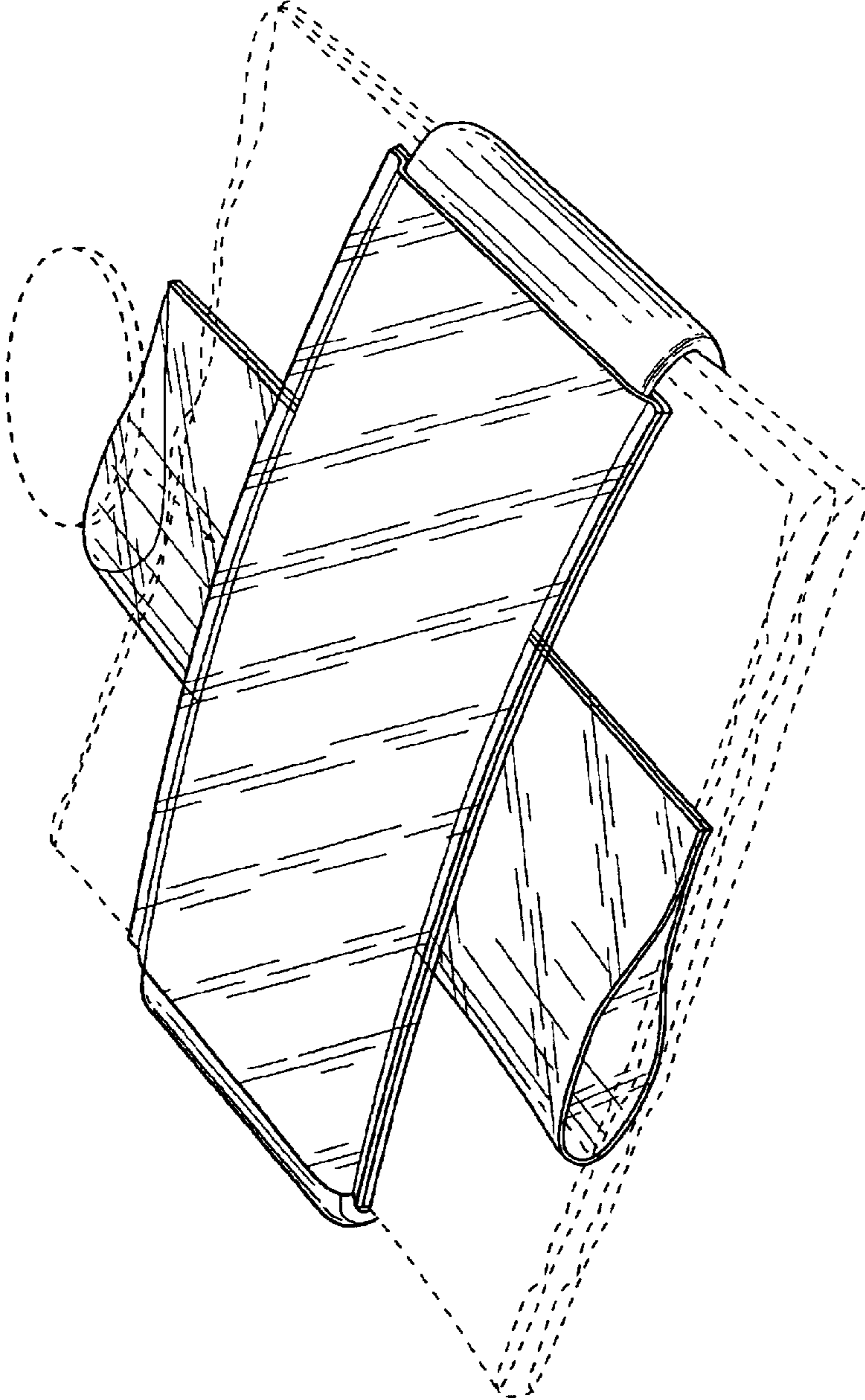
**FIG. 7**



**FIG. 8**



**FIG. 9**



**FIG. 10**





**FIG. 11**



**FIG. 12**