



US00D515965S

(12) **United States Design Patent** (10) **Patent No.:** **US D515,965 S**  
**D'Annunzio** (45) **Date of Patent:** **\*\* Feb. 28, 2006**

(54) **RING SHANK**  
(75) Inventor: **Arthur D'Annunzio**, New York, NY (US)  
(73) Assignee: **D'Annunzio Showcase Dealers, Inc.**, New York, NY (US)  
(\*\*) Term: **14 Years**  
(21) Appl. No.: **29/203,328**  
(22) Filed: **Apr. 13, 2004**

D170,722 S 10/1953 Sager  
D186,990 S 1/1960 Berland  
D203,551 S 1/1966 Tranfield  
3,321,934 A 5/1967 Boyd  
D220,640 S \* 5/1971 Darbo ..... D11/56  
D250,699 S \* 1/1979 Barr ..... D11/56  
D271,187 S \* 11/1983 Bulgari ..... D11/3  
D290,938 S \* 7/1987 Bulgari ..... D11/3  
D293,898 S \* 1/1988 Bulgari ..... D11/34  
D304,697 S \* 11/1989 Crews ..... D11/56  
D364,830 S 12/1995 Roemer  
D377,769 S 2/1997 Roemer

(Continued)

(51) **LOC (8) Cl.** ..... **11-01**  
(52) **U.S. Cl.** ..... **D11/37**  
(58) **Field of Classification Search** ..... D11/3,  
D11/26-39, 49, 50, 56; 63/15.1-15.4, 15.45,  
63/15.5-15.6, 15.65, 15.7-15.9, 26-28  
See application file for complete search history.

**FOREIGN PATENT DOCUMENTS**

DE 44 25 746 A1 1/1995

**OTHER PUBLICATIONS**

Platinum Guild International USA; Edition X; 2002; p. 40; middle left side of page.\*

(56) **References Cited**  
**U.S. PATENT DOCUMENTS**

72,224 A 12/1867 Palmer  
298,100 A 5/1884 Lee  
D48,232 S 11/1915 Rosenberger  
D48,763 S 3/1916 Roede  
1,325,840 A 12/1919 Feagans  
1,333,284 A 3/1920 Schreiber  
D58,601 S 8/1921 Kreisler  
D60,418 S 2/1922 Kreisler  
D60,495 S 2/1922 Kreisler  
D62,727 S 7/1923 Hodnefield  
D65,362 S 7/1924 Wittstein et al.  
D79,259 S 8/1929 Schaeffer  
1,758,447 A 5/1930 Leibs  
1,936,604 A 11/1933 Moldenhauer  
D109,800 S 5/1938 Foss  
D115,931 S 8/1939 Kronstadt  
2,182,876 A 12/1939 Moldenhaur  
D118,591 S 1/1940 Cohn  
D140,548 S 3/1945 Klein  
D145,213 S \* 7/1946 Hobe ..... D11/56  
D146,524 S 3/1947 Robbins  
D149,653 S 5/1948 Koven  
D167,120 S 6/1952 Sorrentino

*Primary Examiner*—Louis S. Zarfes  
*Assistant Examiner*—Melanie Levy  
(74) *Attorney, Agent, or Firm*—Ohlandt, Greeley, Ruggiero & Perle, L.L.P.

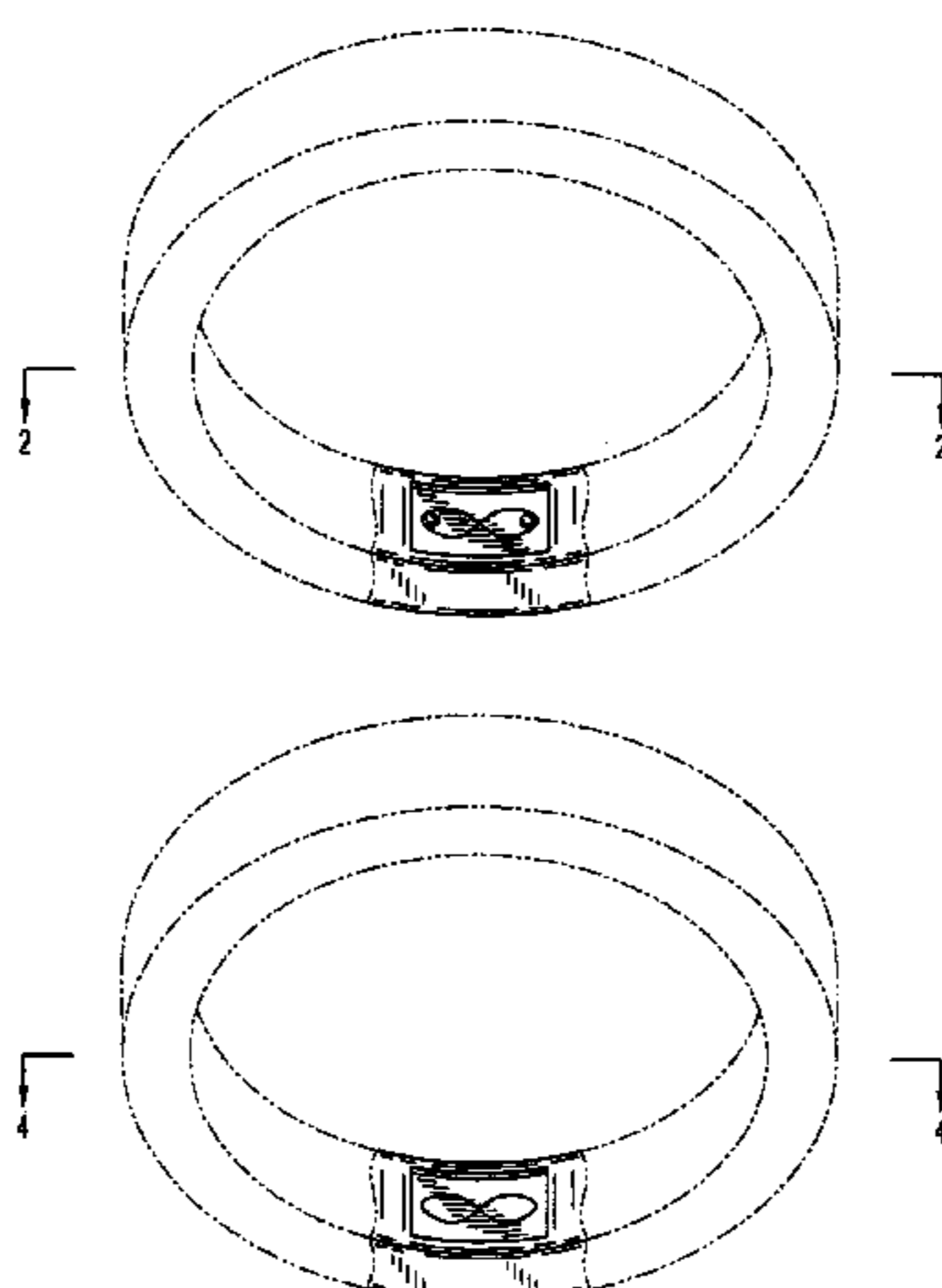
(57) **CLAIM**

The ornamental design for a ring shank, as shown and described.

**DESCRIPTION**

FIG. 1 is a perspective view of a ring shank showing my new design;  
FIG. 2 is a cross-sectional view of the ring shank of FIG. 1 taken along line 2—2 of FIG. 1;  
FIG. 3 is a perspective view of an alternative embodiment of a ring shank showing my new design; and,  
FIG. 4 is a cross-sectional view of the ring shank of FIG. 3 taken along line 4—4 of FIG. 3.  
The broken line showing in FIGS. 1 through 4 is for illustrative purposes only and forms no part of the claimed design.

**1 Claim, 2 Drawing Sheets**



# US D515,965 S

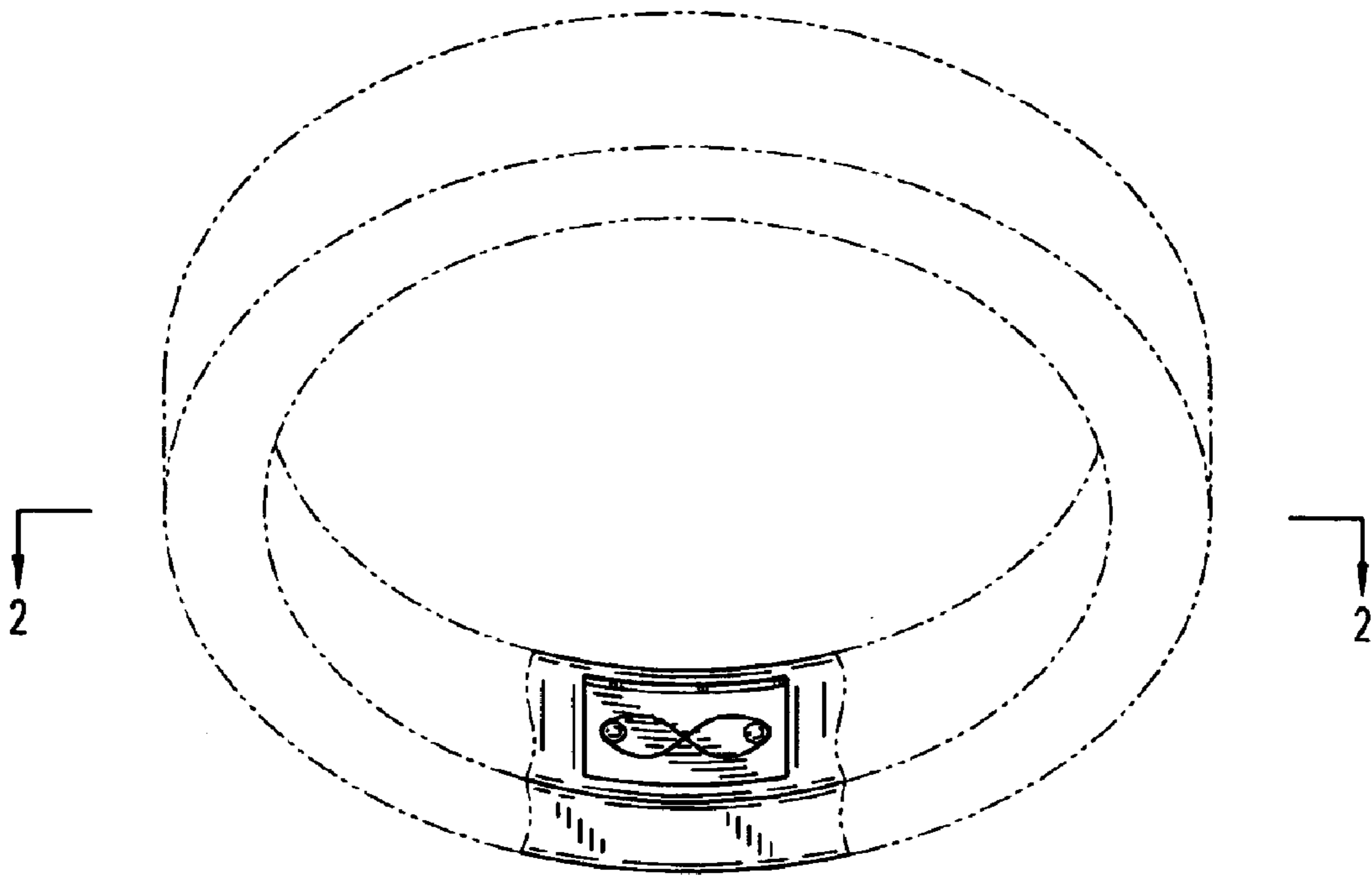
Page 2

---

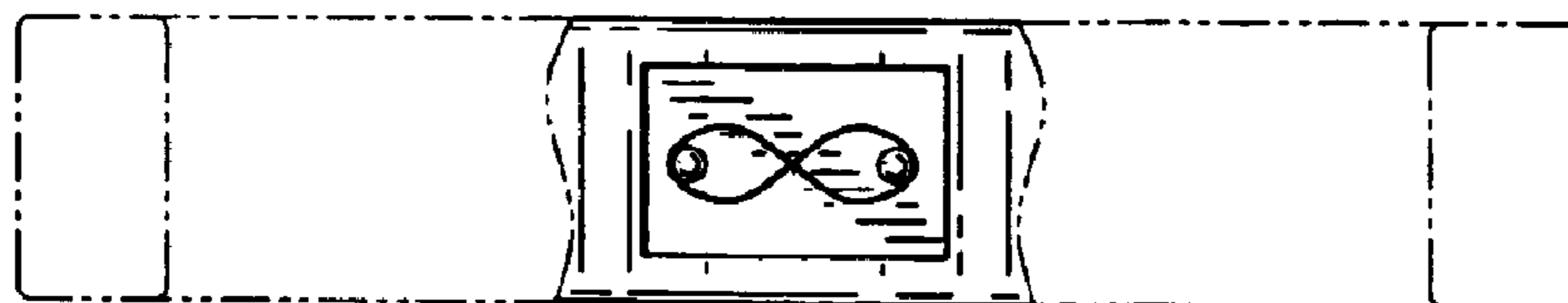
## U.S. PATENT DOCUMENTS

D377,916 S	2/1997	Roemer		6,212,908 B1	4/2001	Melas	
D383,410 S	9/1997	Roemer		D442,509 S	5/2001	Yamanaka	
5,669,241 A	9/1997	Kohl		D464,900 S	10/2002	Repossi	
D390,153 S	* 2/1998	Shenhav	..... D11/56	D471,837 S	3/2003	Valentini et al.	
D393,811 S	4/1998	Morrison		D472,494 S	4/2003	Valentini et al.	
5,987,919 A	11/1999	Hooser		6,581,413 B1	6/2003	Kadosh	
D418,078 S	12/1999	Pasquetti		D480,321 S	10/2003	Roemer	
D423,393 S	4/2000	Morris		D484,823 S	* 1/2004	Pachachi	..... D11/56
D431,792 S	10/2000	Ferreira		D488,739 S	* 4/2004	Pachachi	..... D11/56
D434,687 S	12/2000	Pasquetti		D491,091 S	* 6/2004	Osinga	..... D11/26

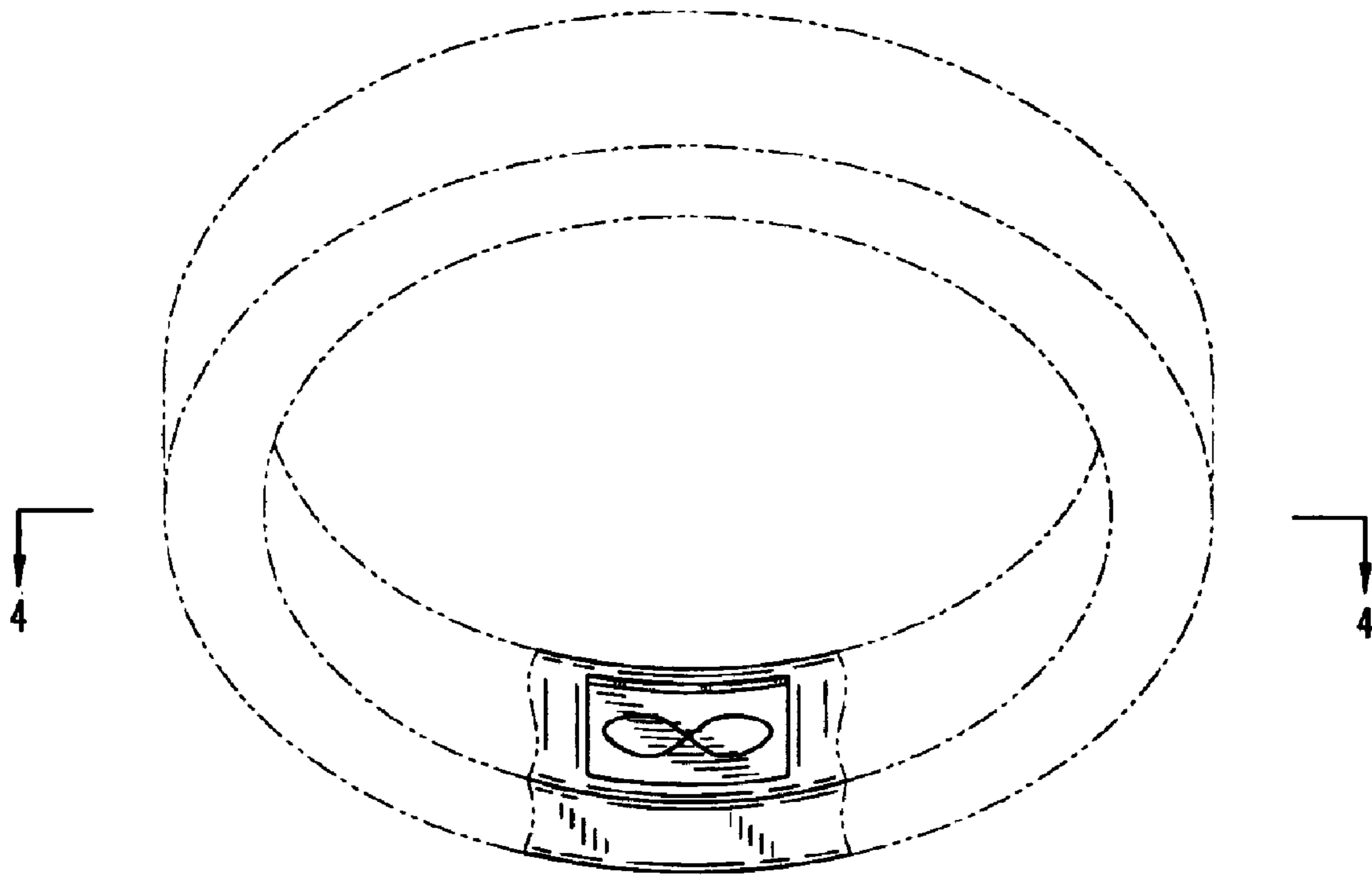
\* cited by examiner



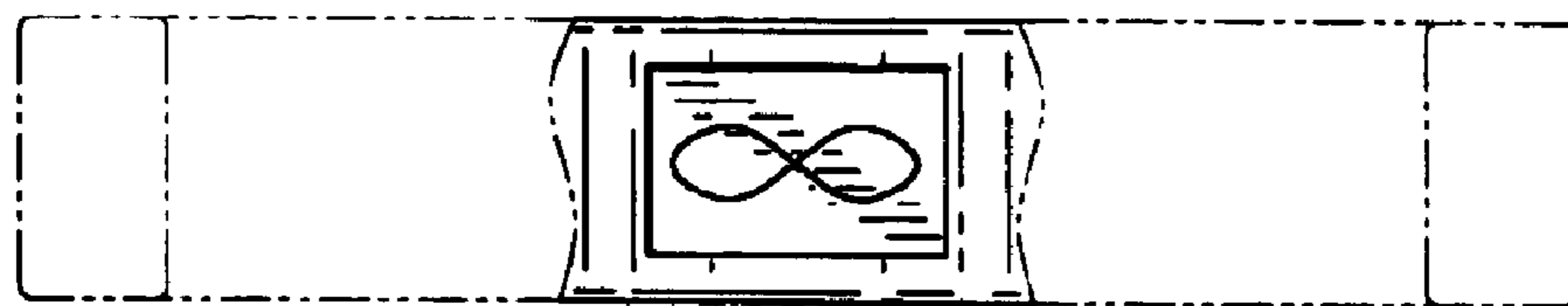
**FIG. 1**



**FIG. 2**



**FIG. 3**



**FIG. 4**