



US00D515964S

(12) **United States Design Patent**
D'Annunzio

(10) **Patent No.:** **US D515,964 S**

(45) **Date of Patent:** **** Feb. 28, 2006**

(54) **RING SHANK**

(75) Inventor: **Arthur D'Annunzio**, New York, NY
(US)

(73) Assignee: **D'Annunzio Showcase Dealers, Inc.**,
New York, NY (US)

(**) Term: **14 Years**

(21) Appl. No.: **29/203,327**

(22) Filed: **Apr. 13, 2004**

(51) **LOC (8) Cl.** **11-01**

(52) **U.S. Cl.** **D11/37**

(58) **Field of Classification Search** D11/3,
D11/26-39, 90-92; 63/15, 15.1-15.4, 15.45,
63/15.5-15.6, 15.65, 15.7-15.9, 26-28
See application file for complete search history.

(56) **References Cited**

U.S. PATENT DOCUMENTS

72,224 A	12/1867	Palmer	
D12,957 S	* 6/1882	Henrich	D11/26
298,100 A	5/1884	Lee	
D48,232 S	11/1915	Rosenberger	
D48,763 S	3/1916	Roede	
D51,891 S	* 3/1918	Simmons	D11/36
1,325,840 A	12/1919	Feagans	
1,333,284 A	3/1920	Schreiber	
D58,601 S	8/1921	Kreisler	
D60,418 S	2/1922	Kreisler	
D60,495 S	2/1922	Kreisler	
D62,727 S	7/1923	Hodnefield	
D63,993 S	* 2/1924	Brogan	D11/35
D65,362 S	7/1924	Wittstein et al.	
D79,259 S	8/1929	Schaeffer	
1,758,447 A	5/1930	Leibs	
1,936,604 A	11/1933	Moldenhauer	
D109,800 S	5/1938	Foss	
D115,931 S	8/1939	Kronstadt	
2,182,876 A	12/1939	Moldenhaur	
D118,591 S	1/1940	Cohn	
D137,743 S	* 4/1944	Frackman	D11/36
D140,548 S	3/1945	Klein	

D145,213 S	* 7/1946	Hobe	D11/56
D146,524 S	3/1947	Robbins	
D149,653 S	5/1948	Koven	
D167,120 S	6/1952	Sorrentino	
D170,722 S	10/1953	Sager	
D177,596 S	* 5/1956	Silver	D11/26
D186,990 S	1/1960	Berland	
D203,551 S	1/1966	Tranfield	
3,321,934 A	5/1967	Boyd	
D220,640 S	* 5/1971	Darbo	D11/56
D250,699 S	* 1/1979	Barr	D11/56
D304,697 S	* 11/1989	Crews	D11/56
D364,830 S	12/1995	Roemer	
D377,769 S	2/1997	Roemer	
D377,916 S	2/1997	Roemer	
D383,410 S	9/1997	Roemer	
5,669,241 A	9/1997	Kohl	
D390,153 S	* 2/1998	Shenhav	D11/56
D393,811 S	4/1998	Morrison	
D395,256 S	* 6/1998	Udco	D11/56
D400,120 S	* 10/1998	Itzkowitz	D11/26
D414,132 S	* 9/1999	Ambar	D11/30
D415,711 S	* 10/1999	Pasquetti	D11/26
5,987,919 A	11/1999	Hooser	
D418,078 S	12/1999	Pasquetti	
D423,393 S	4/2000	Morris	
D431,792 S	10/2000	Ferreira	
D434,687 S	12/2000	Pasquetti	
6,212,908 B1	4/2001	Melas	
D442,509 S	5/2001	Yamanaka	
D443,845 S	* 6/2001	Gruosi	D11/26
D453,486 S	* 2/2002	Zillig	D11/38
D464,900 S	10/2002	Repossi	
D471,837 S	3/2003	Valentini et al.	
D472,494 S	4/2003	Valentini et al.	
6,581,413 B1	6/2003	Kadosh	
D480,321 S	10/2003	Roemer	
D484,823 S	* 1/2004	Pachachi	D11/56
D488,739 S	* 4/2004	Pachachi	D11/56
D490,740 S	* 6/2004	Pluchenik et al.	D11/30

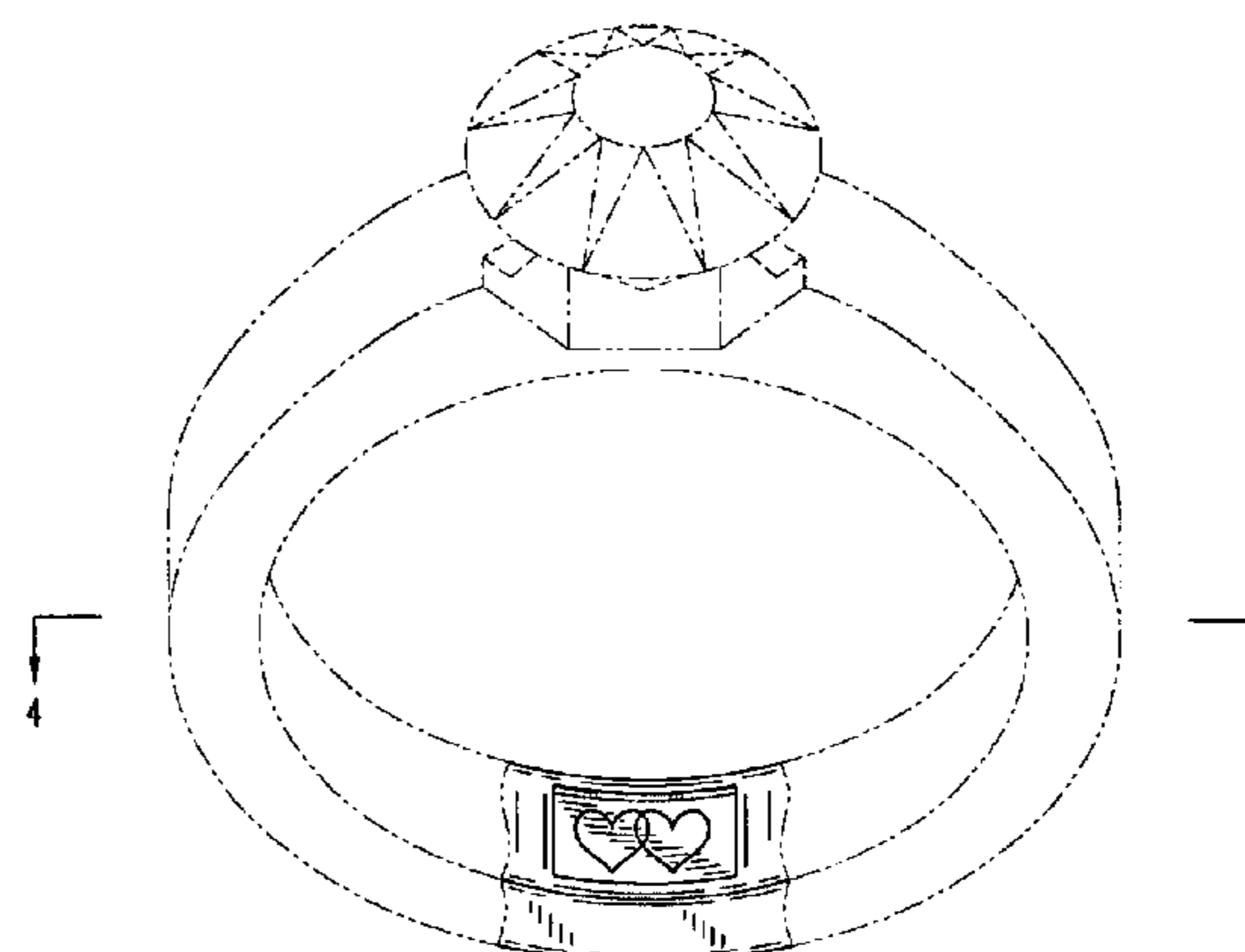
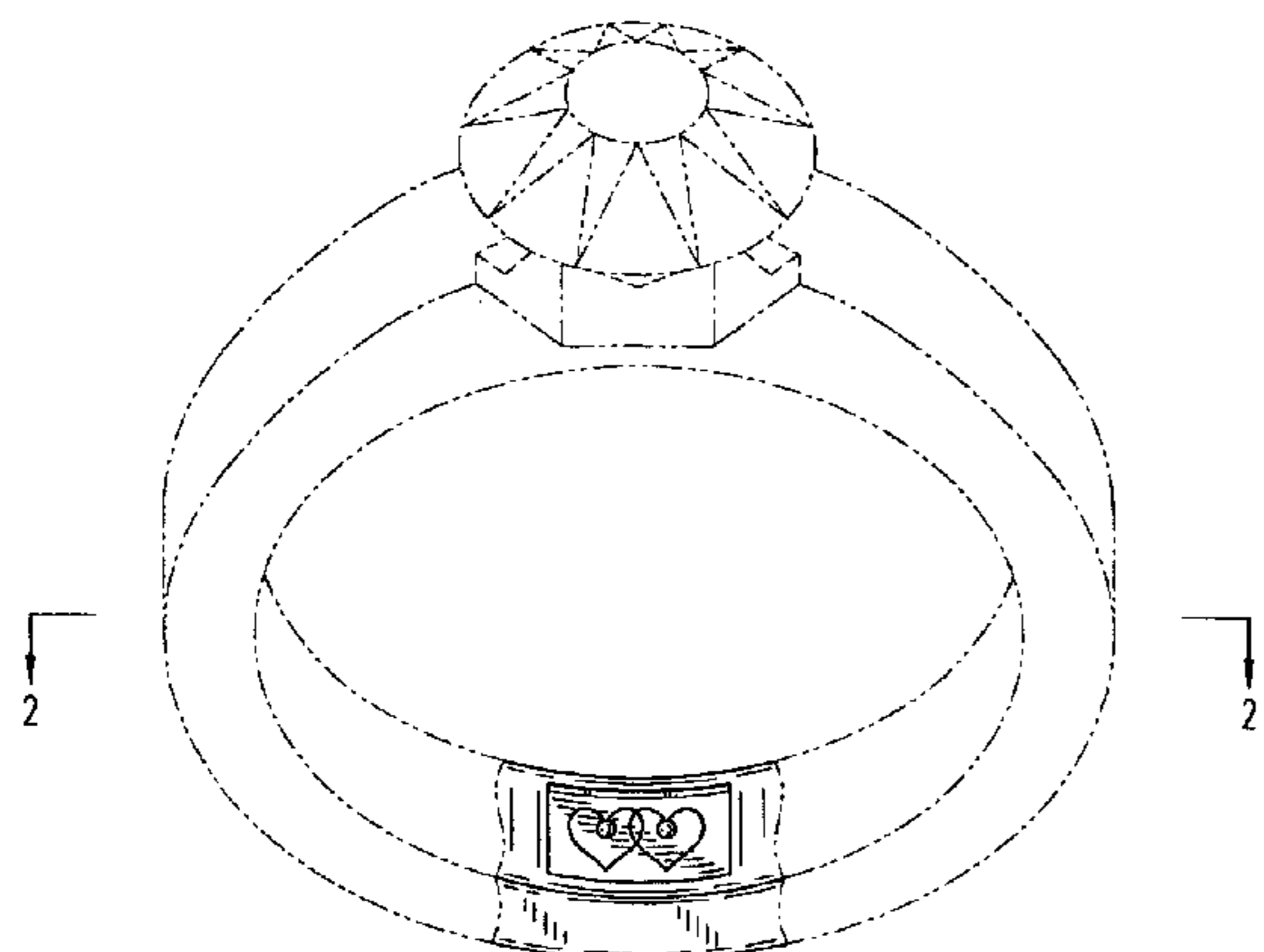
FOREIGN PATENT DOCUMENTS

DE 44 25 746 A1 1/1995

OTHER PUBLICATIONS

Platinum Guild International USA; Edition VII; 1999; p. 80—middle right side of page.*

* cited by examiner



Primary Examiner—Louis S. Zarfes

Assistant Examiner—Melanie Levy

(74) *Attorney, Agent, or Firm*—Ohlandt, Greeley, Ruggiero & Perle, L.L.P.

(57) **CLAIM**

The ornamental design for a ring shank, as shown and described.

DESCRIPTION

FIG. 1 is a perspective view of a ring shank showing my new design;

FIG. 2 is a cross-sectional view of the ring shank of FIG. 1 taken along line 2—2 of FIG. 1;

FIG. 3 is a perspective view of an alternative embodiment of a ring shank showing my new design; and,

FIG. 4 is a cross-sectional view of the ring shank of FIG. 3 taken along line 4—4 of FIG. 3.

The broken line showing in FIGS. 1 through 4 is for illustrative purposes only and forms no part of the claimed design.

1 Claim, 2 Drawing Sheets

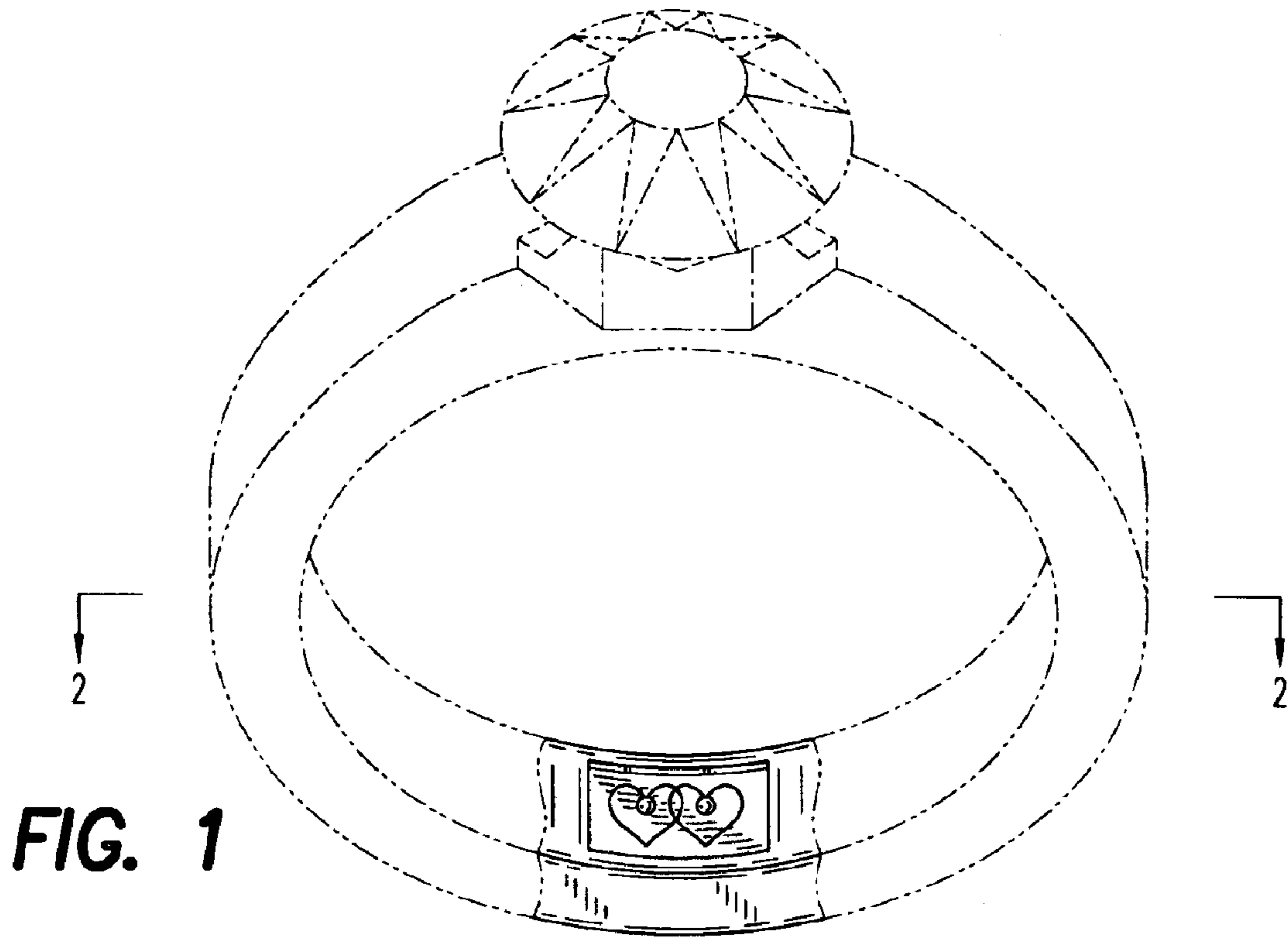


FIG. 1

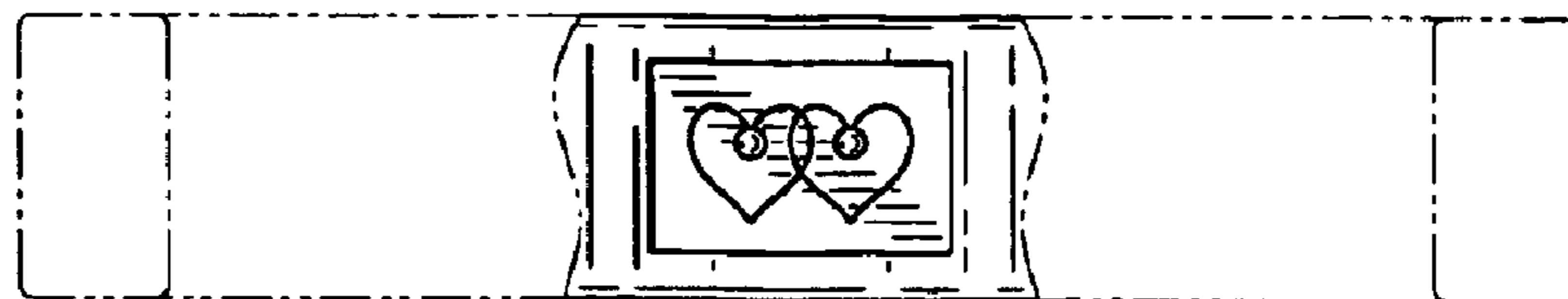


FIG. 2

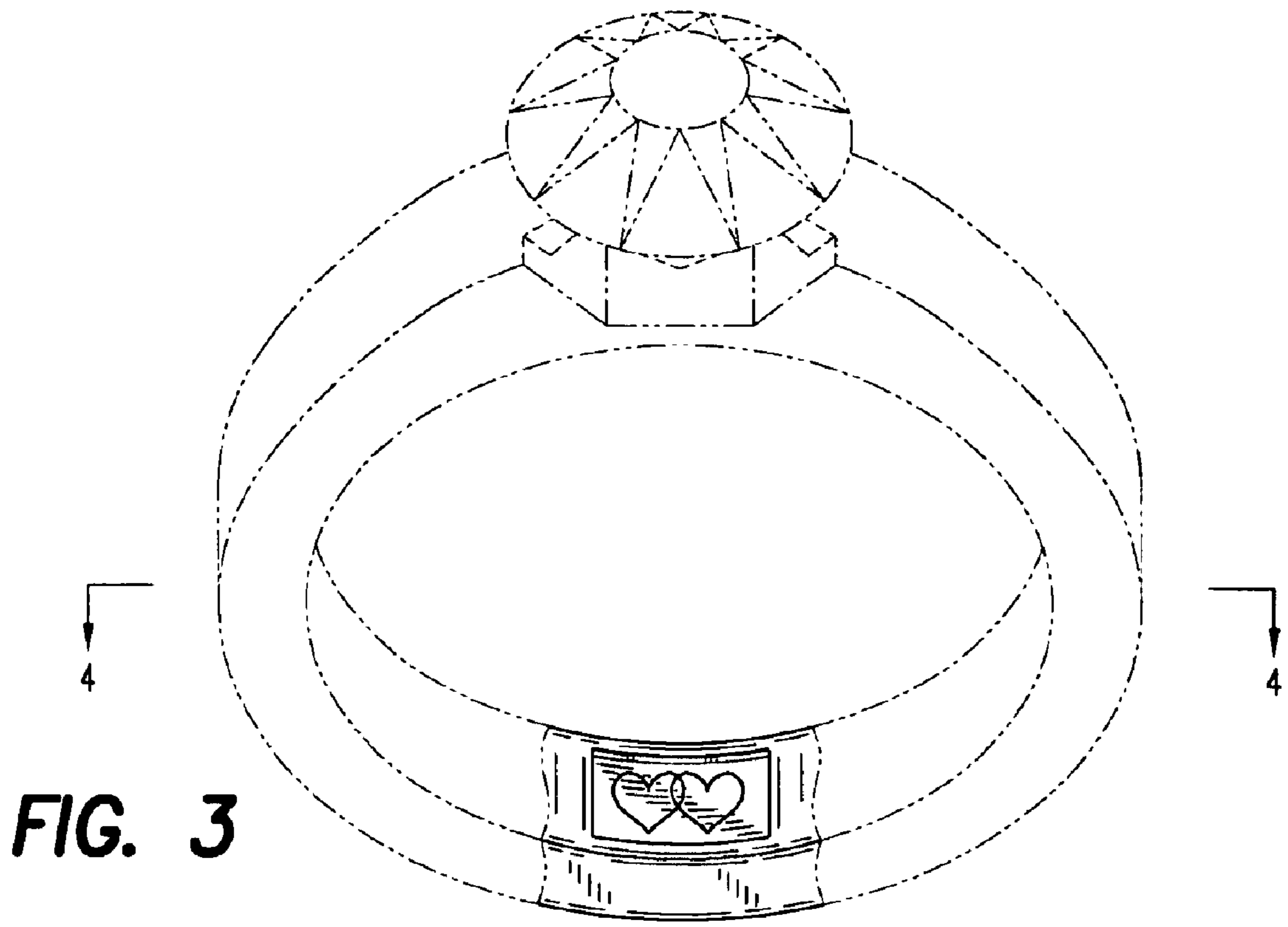


FIG. 3

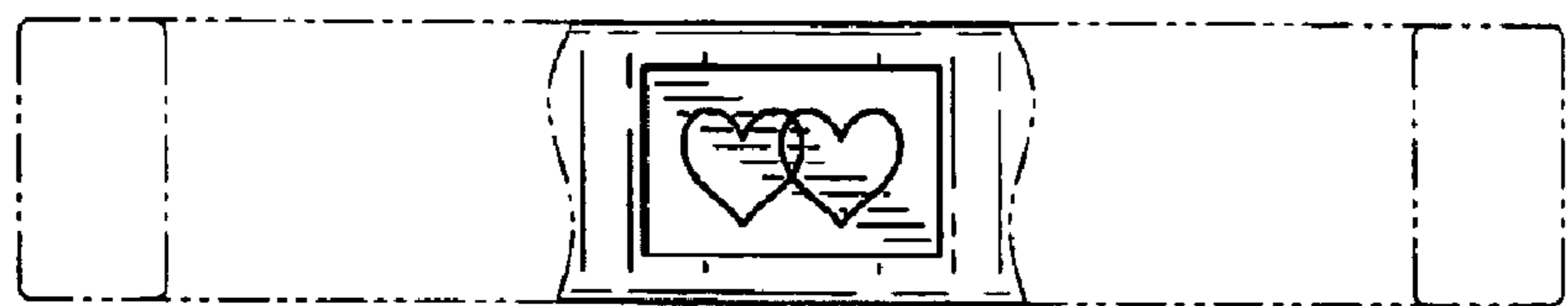


FIG. 4