



US00D515952S

(12) **United States Design Patent**
Chang

(10) **Patent No.:** **US D515,952 S**

(45) **Date of Patent:** **** Feb. 28, 2006**

(54) **MULTIMETER**

D446,463 S * 8/2001 Chang D10/78
D446,735 S * 8/2001 McCain D10/78
D472,828 S * 4/2003 Chang D10/78

(75) **Inventor:** **Shan-Wen Chang, Taipei (TW)**

* cited by examiner

(73) **Assignee:** **Appa Technology Corp., Taipei (TW)**

Primary Examiner—Antoine D. Davis

(**) **Term:** **14 Years**

(74) *Attorney, Agent, or Firm*—Troxell Law Office, PLLC

(21) **Appl. No.:** **29/229,112**

(57) **CLAIM**

(22) **Filed:** **May 4, 2005**

The ornamental design for a multimeter, as shown and described.

(51) **LOC (8) Cl.** **10-04**

(52) **U.S. Cl.** **D10/78**

(58) **Field of Classification Search** D10/78,
D10/79; 324/72.5, 110, 114, 115, 149, 151 A,
324/151 R, 156, 158 F; 340/653, 660; 439/482
See application file for complete search history.

DESCRIPTION

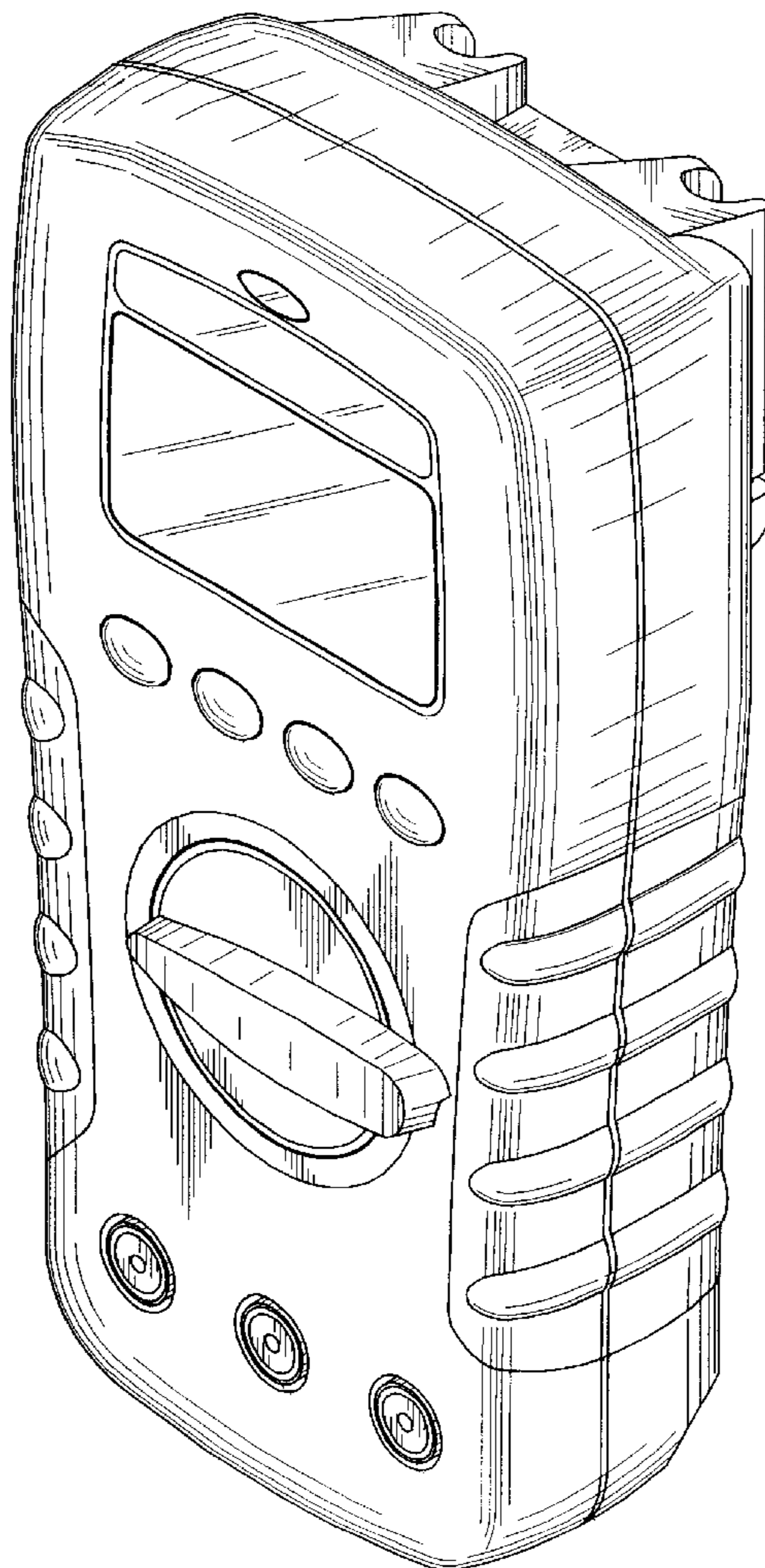
FIG. 1 is a perspective view of the multimeter showing the new design;
FIG. 2 is a front view of the new design;
FIG. 3 is a rear view of the new design;
FIG. 4 is a left view of the new design;
FIG. 5 is a right view of the new design;
FIG. 6 is a top view of the new design; and,
FIG. 7 is a bottom view of the new design.

(56) **References Cited**

U.S. PATENT DOCUMENTS

D365,527 S * 12/1995 Peterson et al. D10/78
5,729,211 A * 3/1998 Reichler et al. 324/156
5,920,188 A * 7/1999 Voorheis et al. 324/110

1 Claim, 5 Drawing Sheets



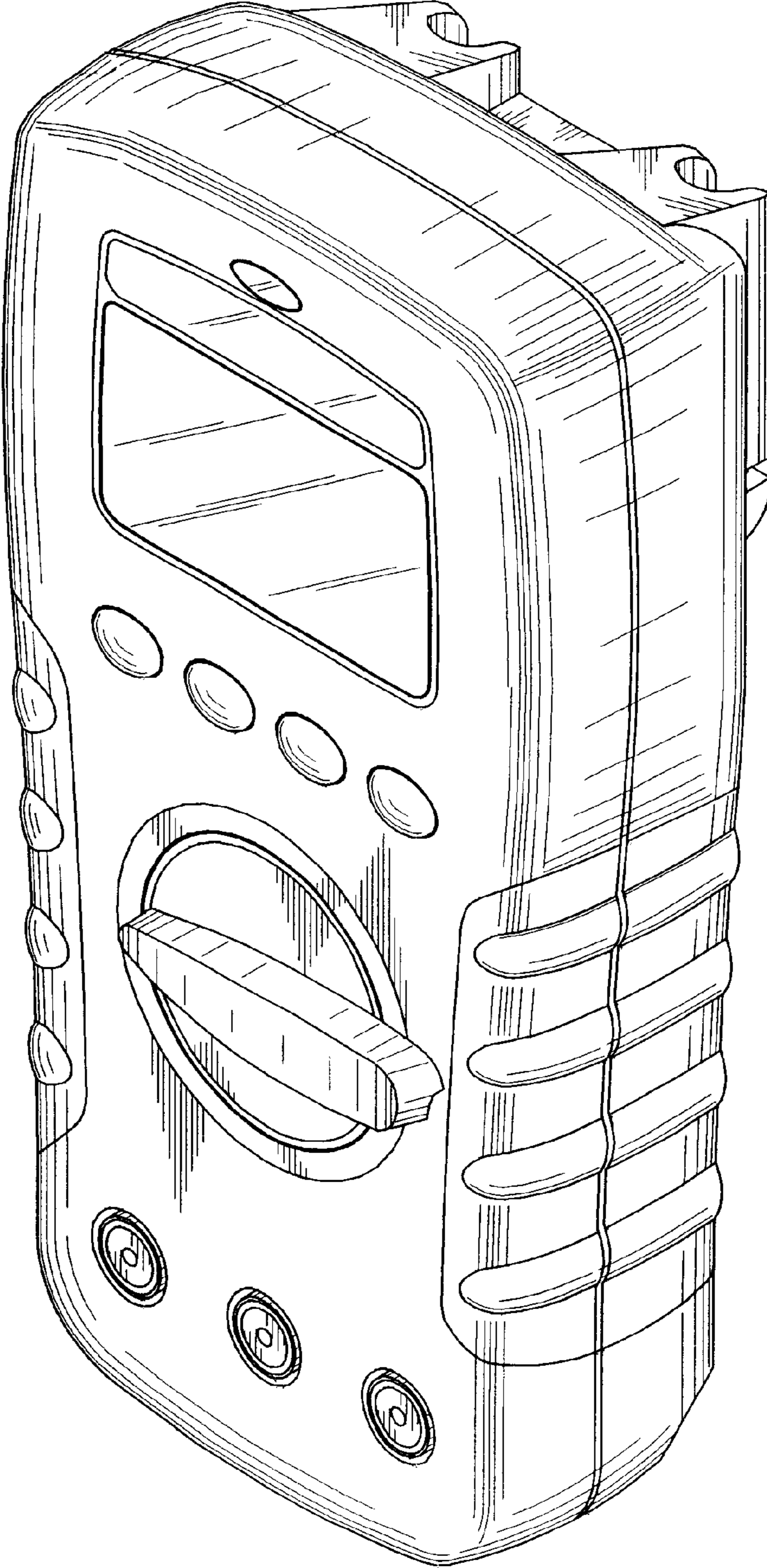


Fig. 1

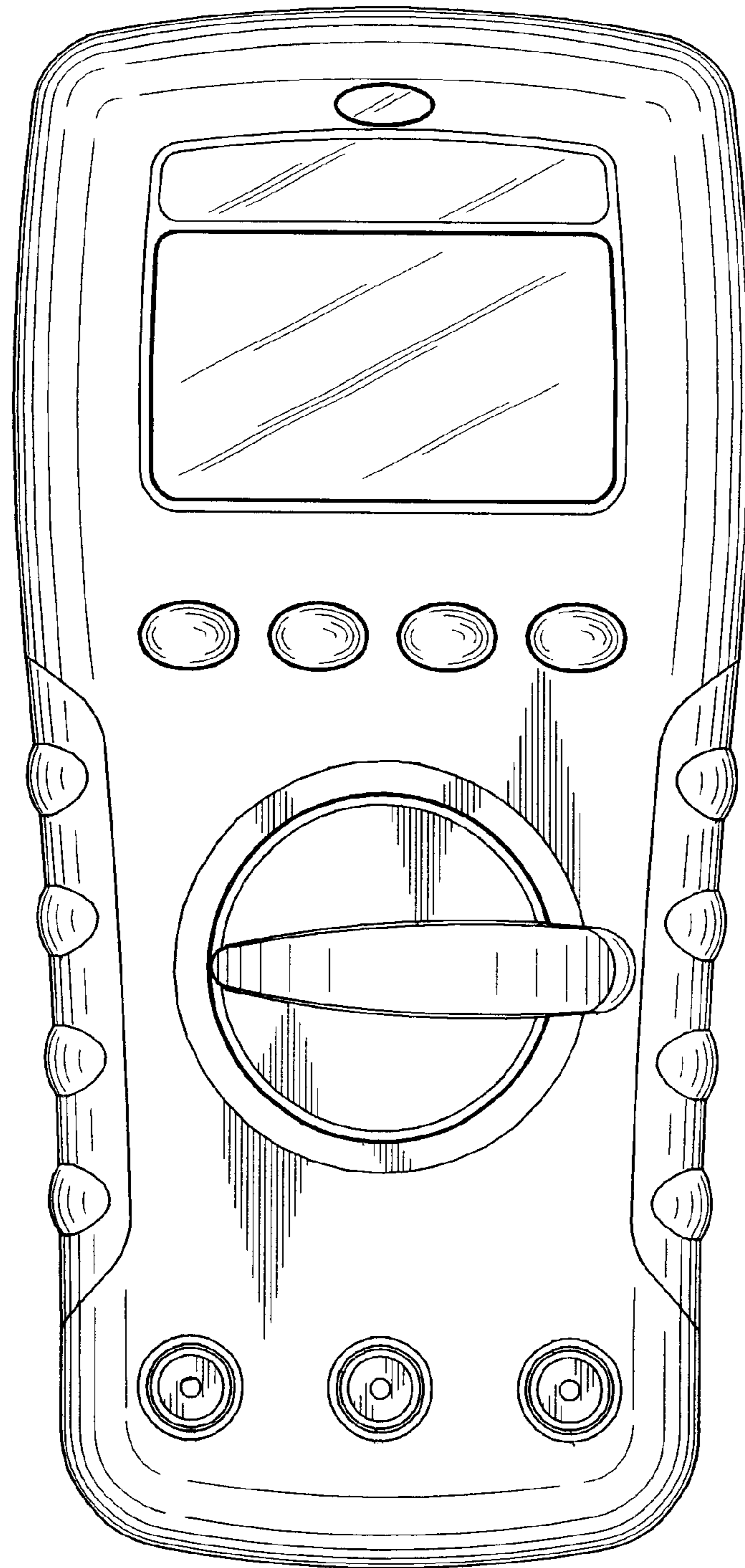


Fig. 2

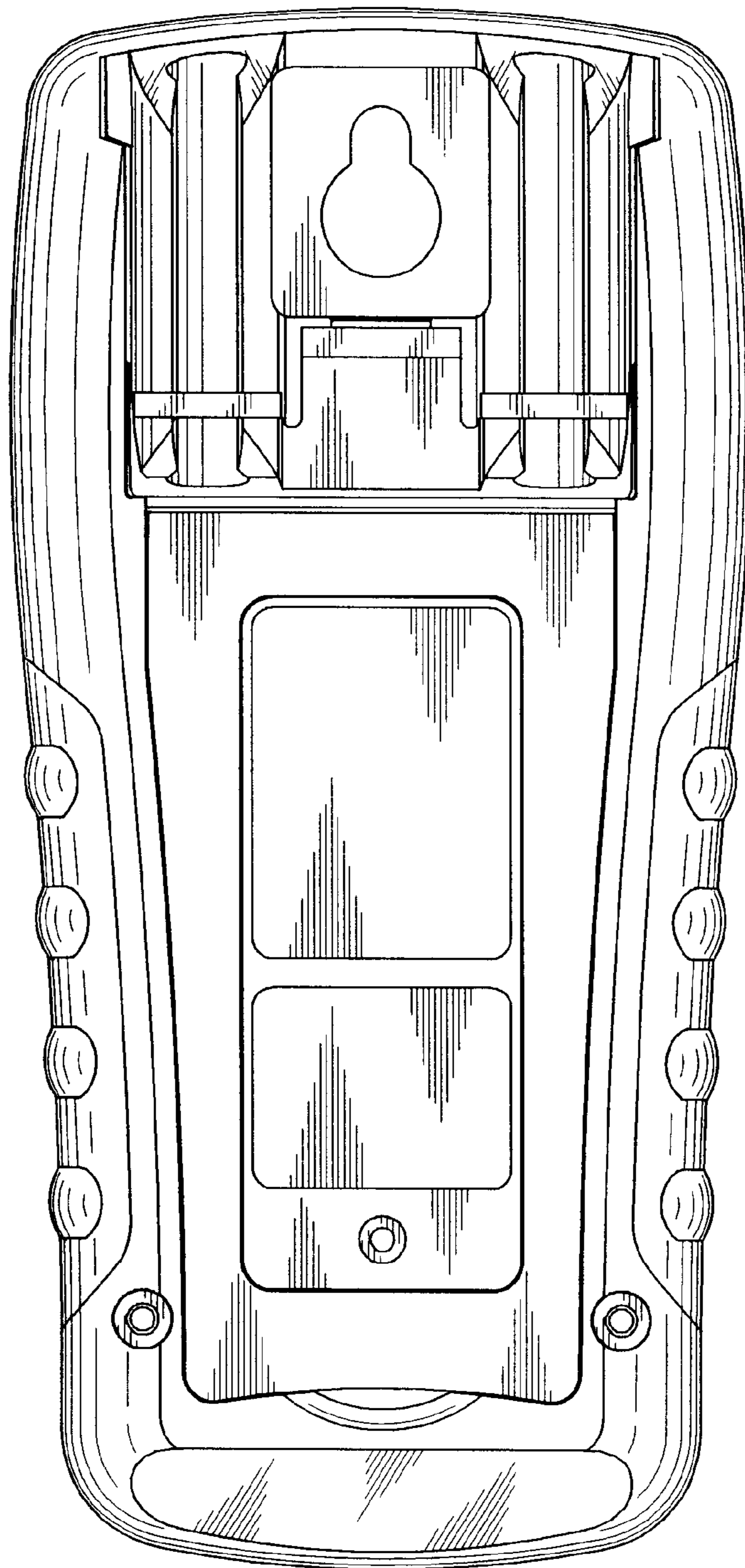


Fig. 3

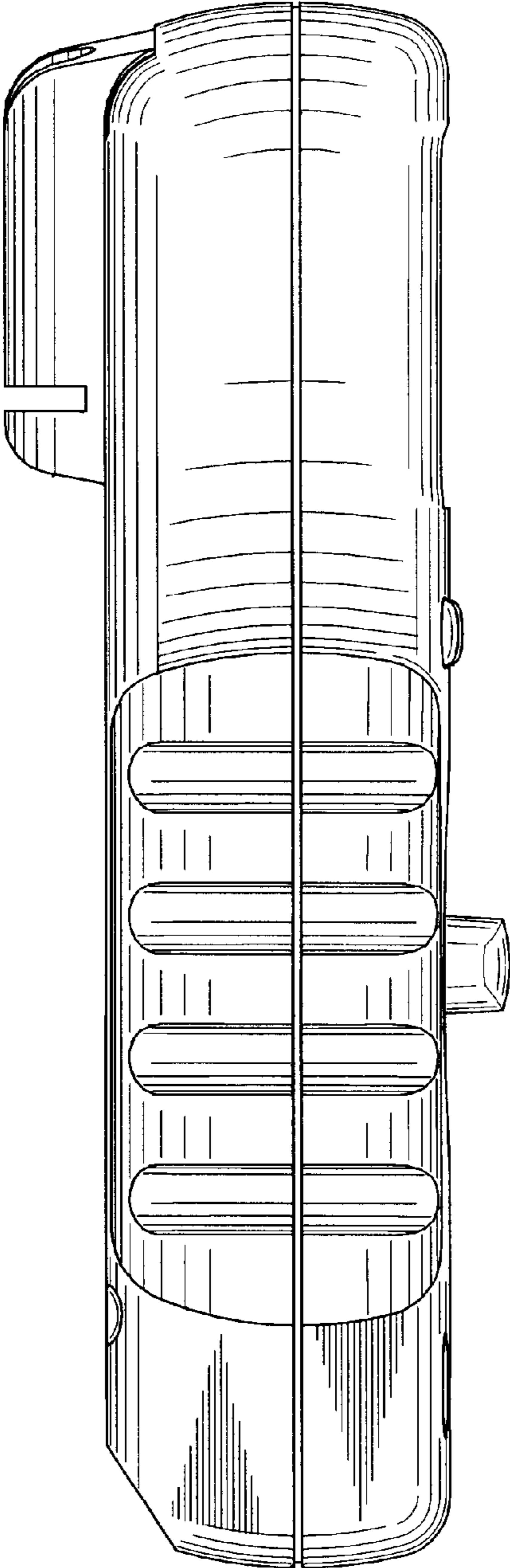


Fig. 4

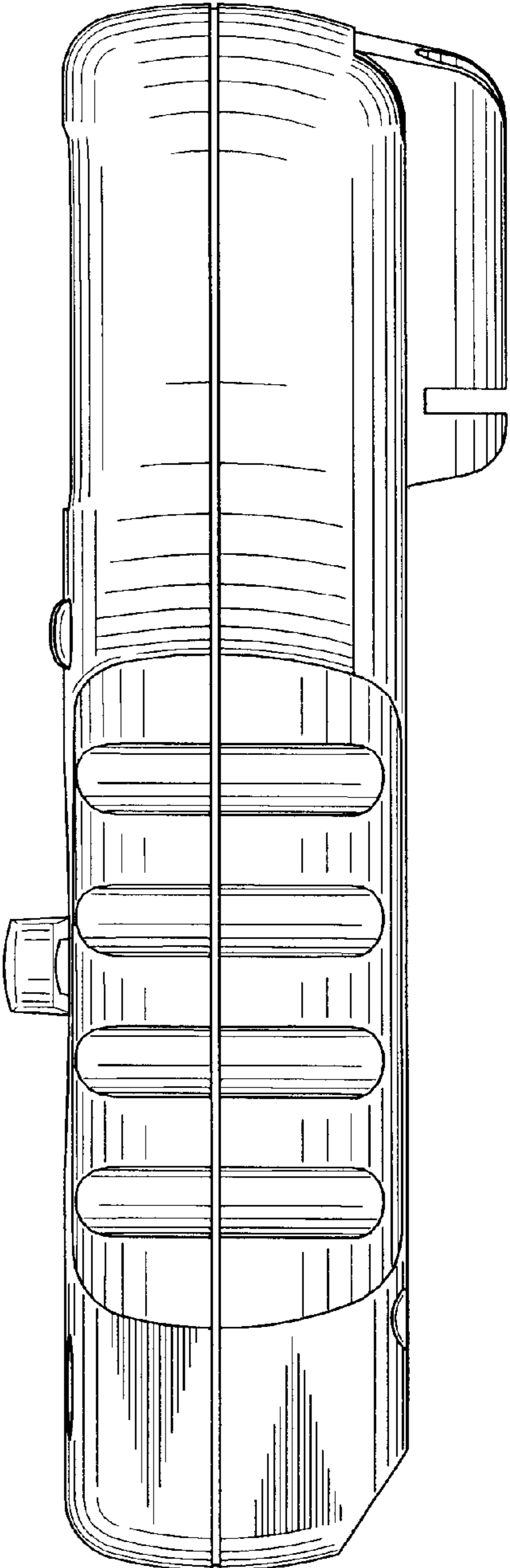


Fig. 5

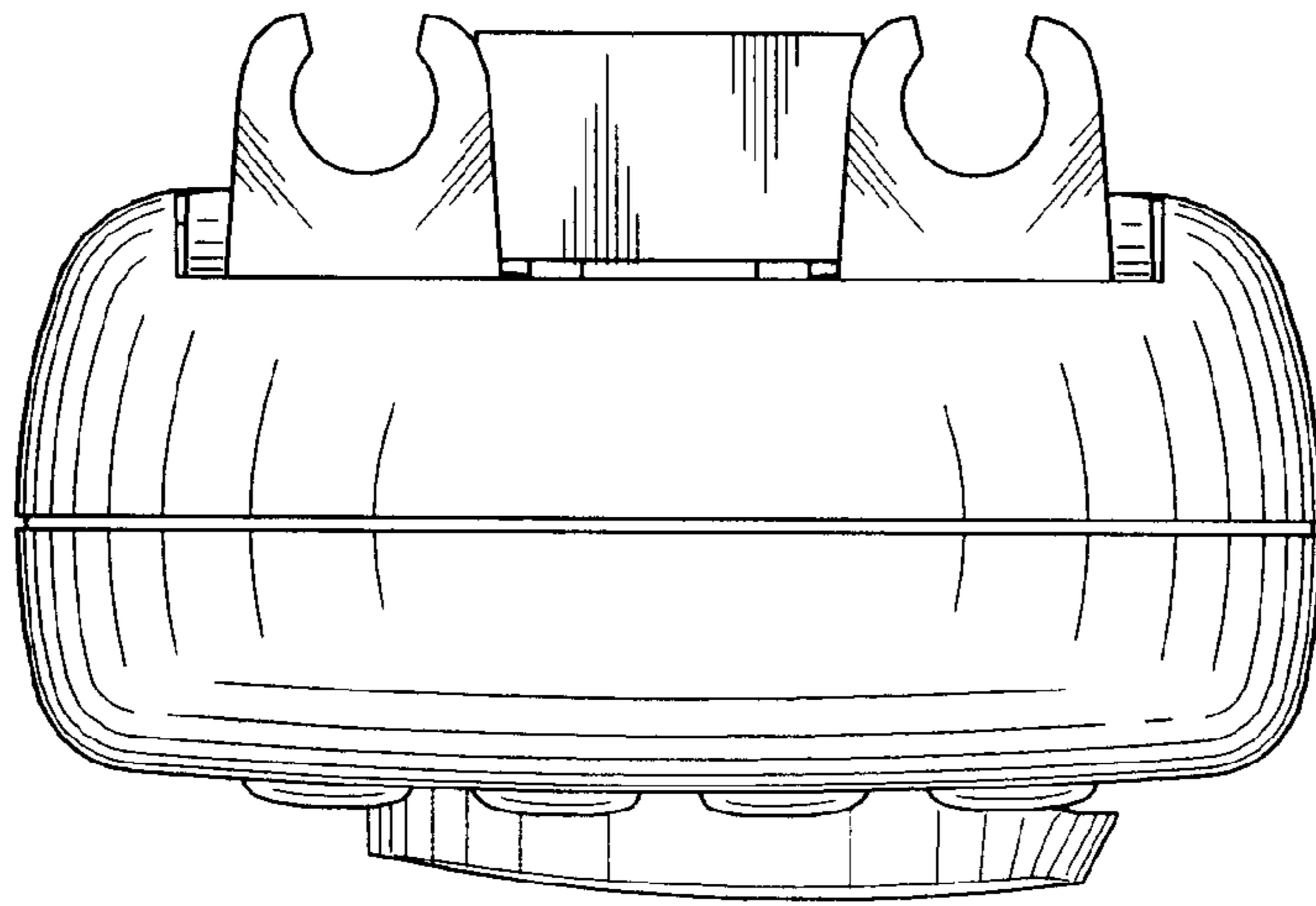


Fig. 6

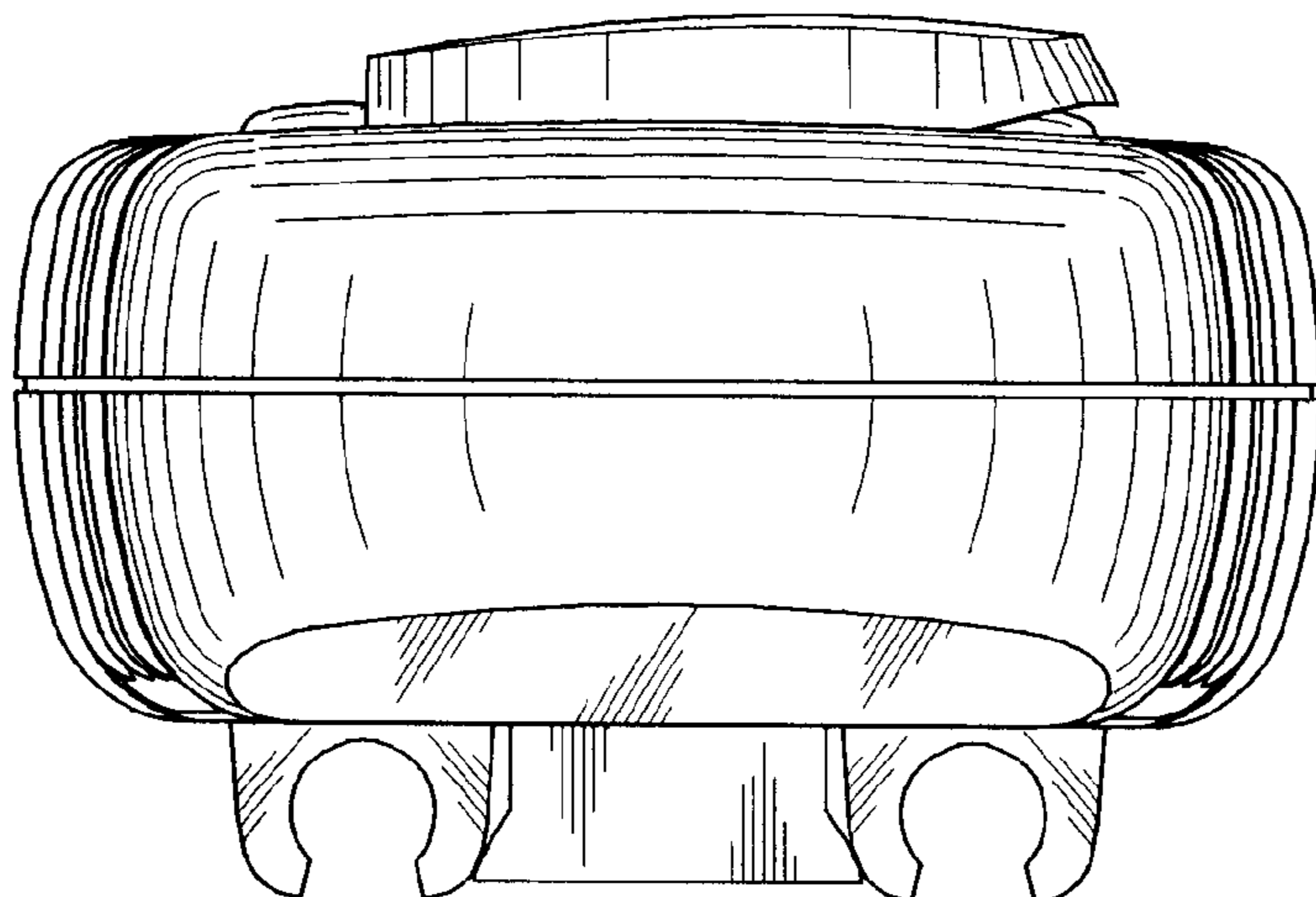


Fig. 7