

US00D515951S

(12) **United States Design Patent**  
**Clark**

(10) **Patent No.:** **US D515,951 S**

(45) **Date of Patent:** **\*\* Feb. 28, 2006**

(54) **ELECTRICAL TESTING INSTRUMENT**

5,903,548 A \* 5/1999 Delamater ..... 370/310  
D462,021 S \* 8/2002 Kuramoto ..... D10/78

(75) **Inventor:** **Simon Clark, Kent (GB)**

\* cited by examiner

(73) **Assignee:** **Megger Limited, Kent (GB)**

*Primary Examiner*—Antoine D. Davis

(\*\*) **Term:** **14 Years**

(74) *Attorney, Agent, or Firm*—Sughrue Mion, PLLC

(21) **Appl. No.:** **29/209,320**

(57) **CLAIM**

(22) **Filed:** **Jul. 14, 2004**

The ornamental design for an electrical testing instrument,  
as shown and described.

(30) **Foreign Application Priority Data**

**DESCRIPTION**

Jan. 20, 2004 (EM) ..... 000131479

(51) **LOC (8) Cl.** ..... **10-04**

(52) **U.S. Cl.** ..... **D10/78**

(58) **Field of Classification Search** ..... D10/75,  
D10/78; 324/508, 511, 156; 370/310, 463;  
73/431

See application file for complete search history.

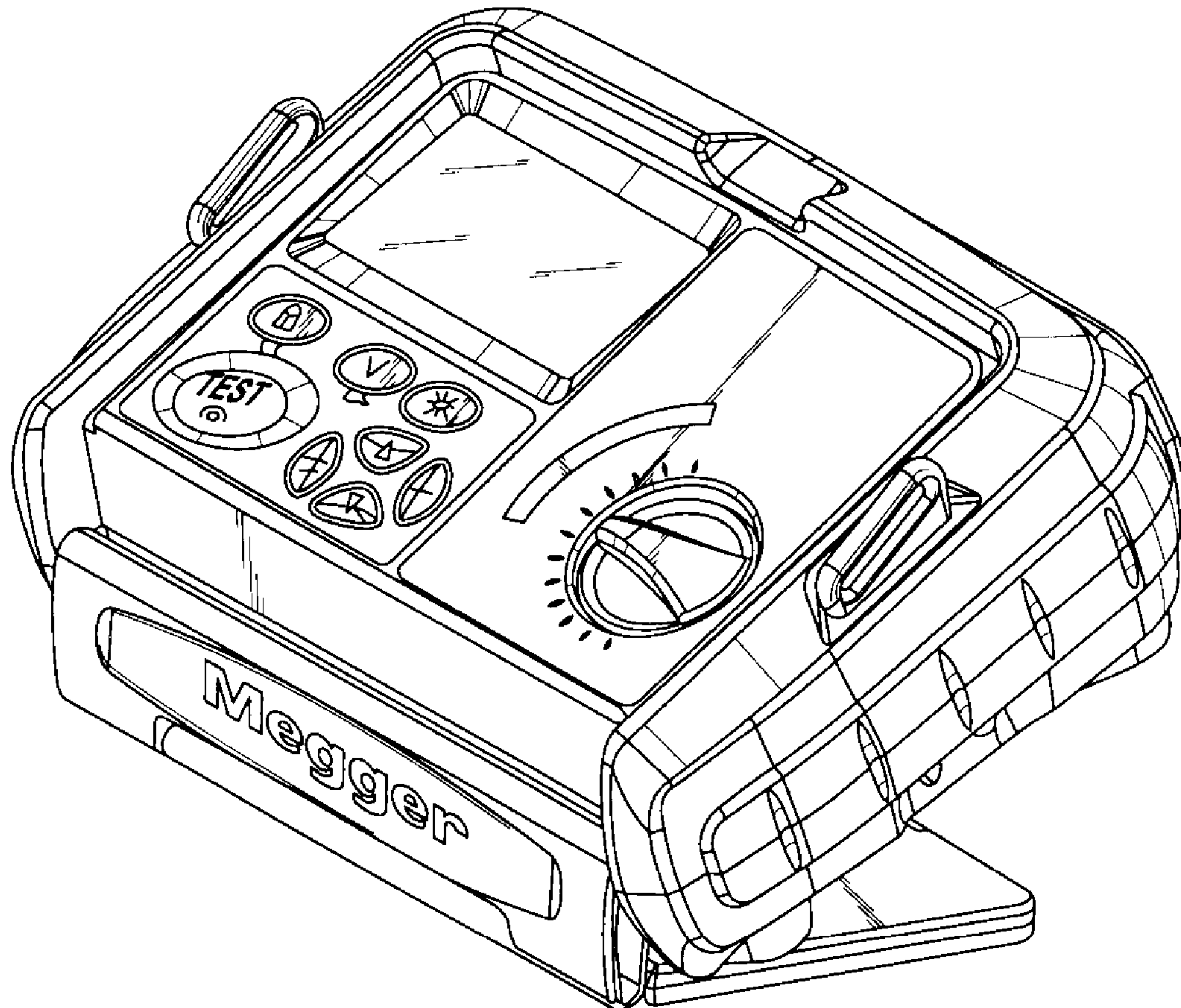
FIG. 1 is a bottom plan view of the instrument;  
FIG. 2 is a side view of FIG. 1;  
FIG. 3 is an end view of FIG. 1;  
FIG. 4 is a top plan view of the instrument;  
FIG. 5 is another end view of FIG. 1;  
FIG. 6 is a view with a cover associated with a bottom of the  
instrument; and,  
FIG. 7 is a view with a cover associated with a top of the  
instrument.  
The name “Megger” shown in the claimed design is a  
registered trademark of Megger Limited.

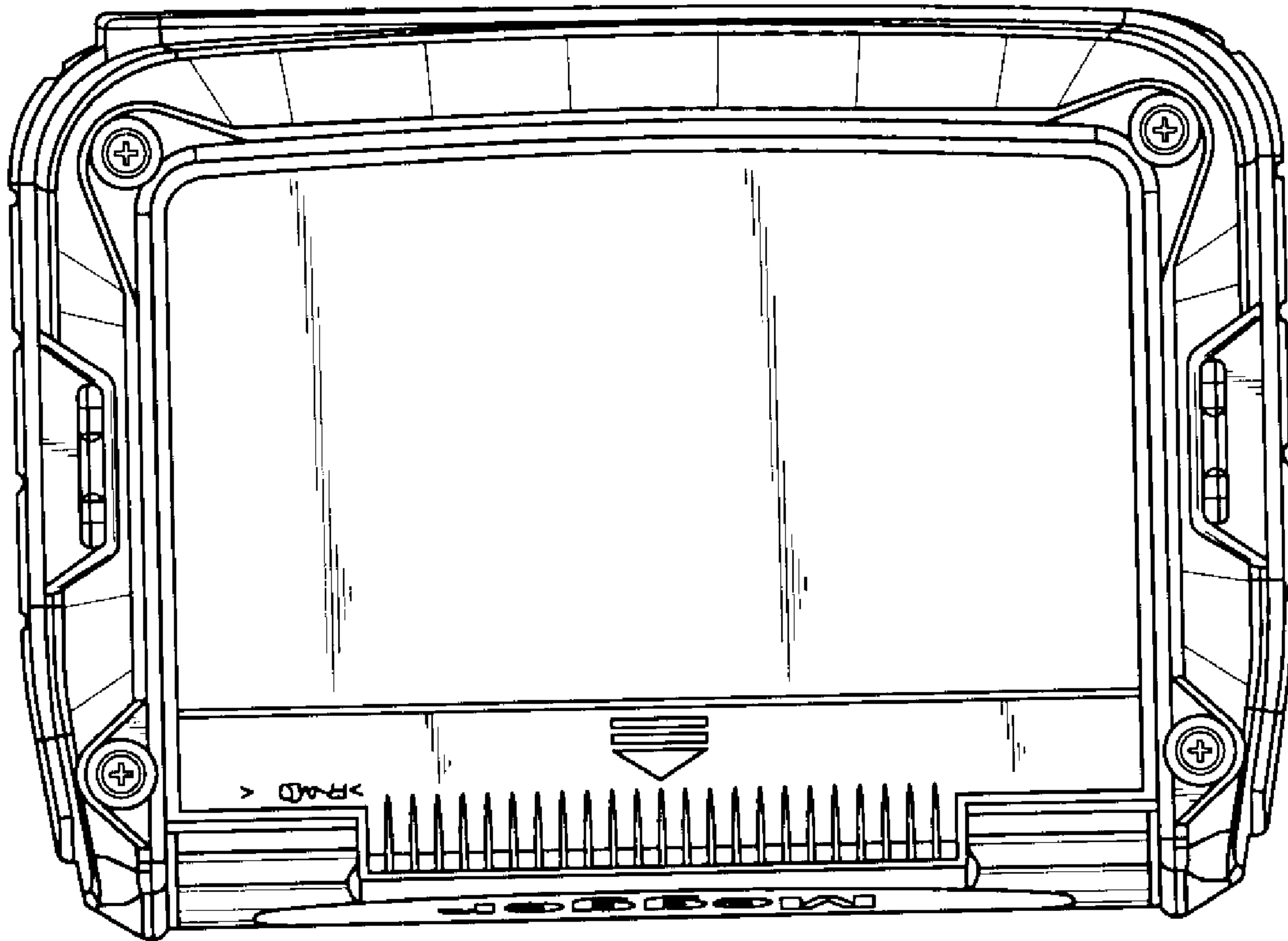
(56) **References Cited**

**U.S. PATENT DOCUMENTS**

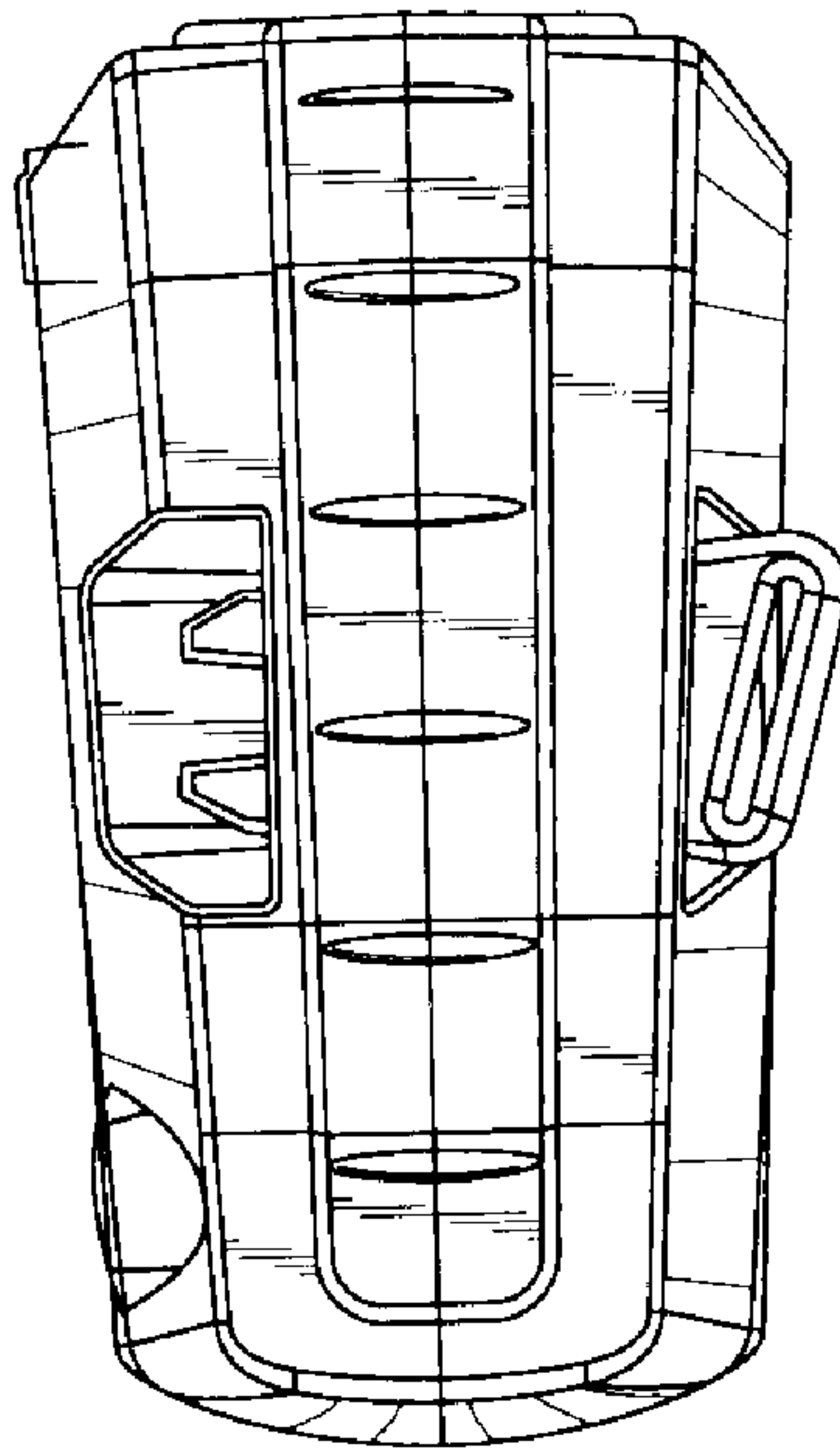
4,164,701 A \* 8/1979 Gullede et al. .... 324/508  
D383,400 S \* 9/1997 Wada ..... D10/65

**1 Claim, 5 Drawing Sheets**

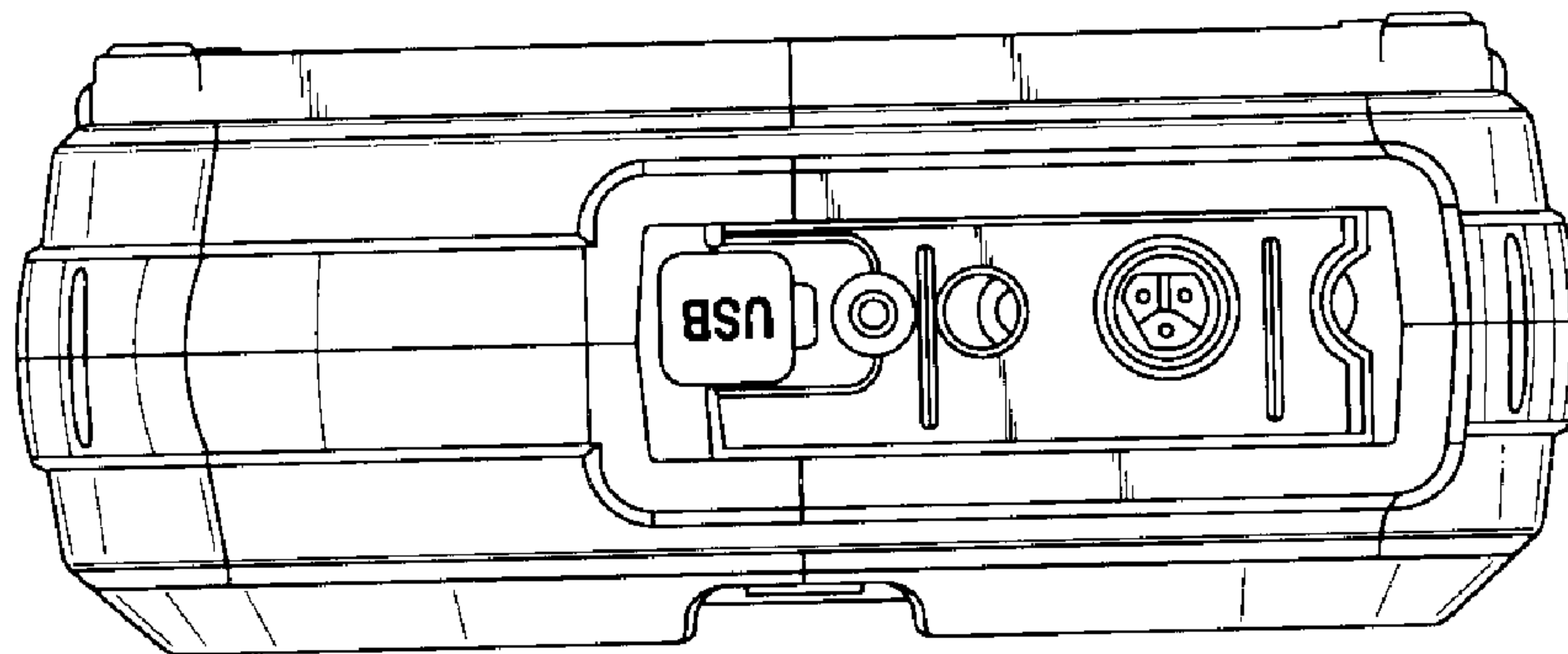




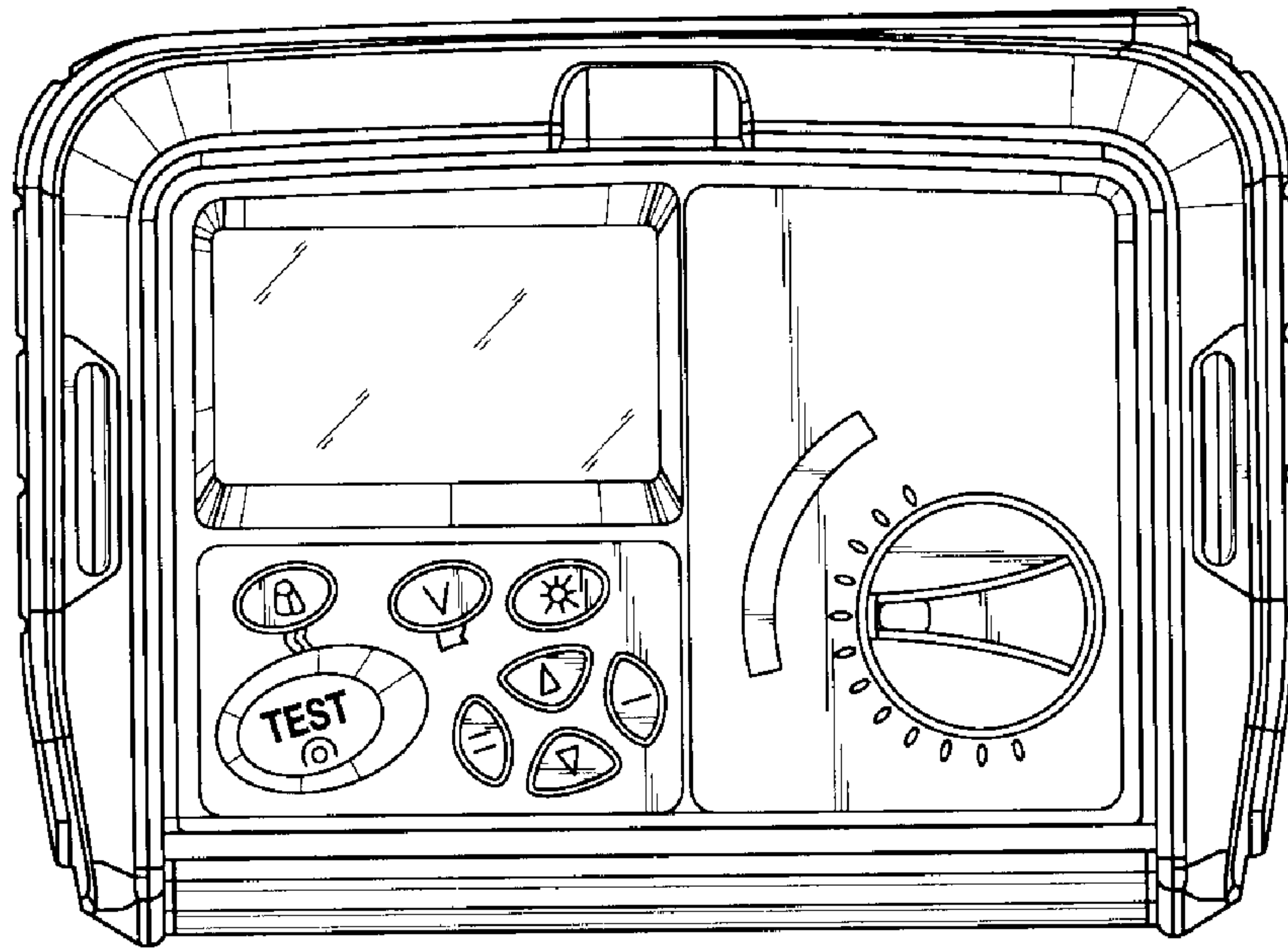
*Fig. 1*



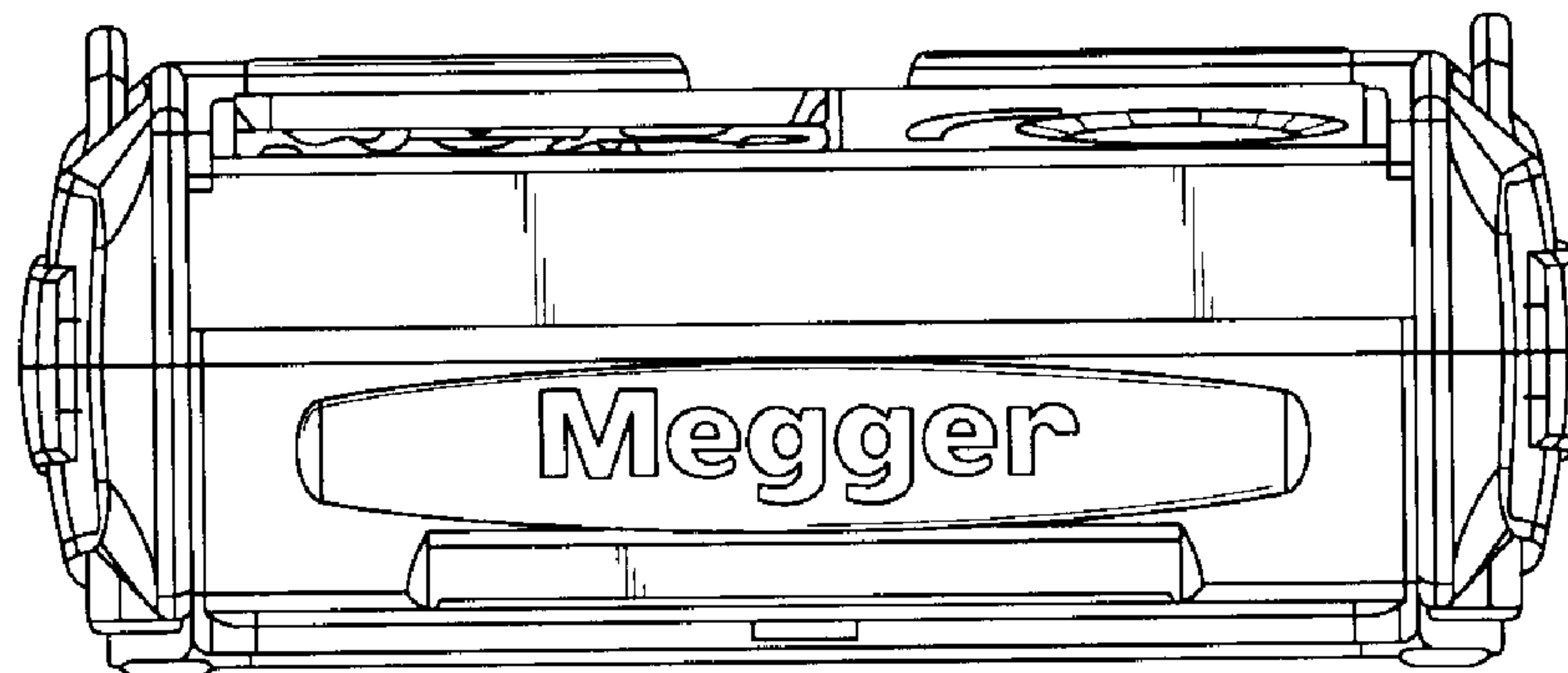
*Fig. 2*



*Fig. 3*

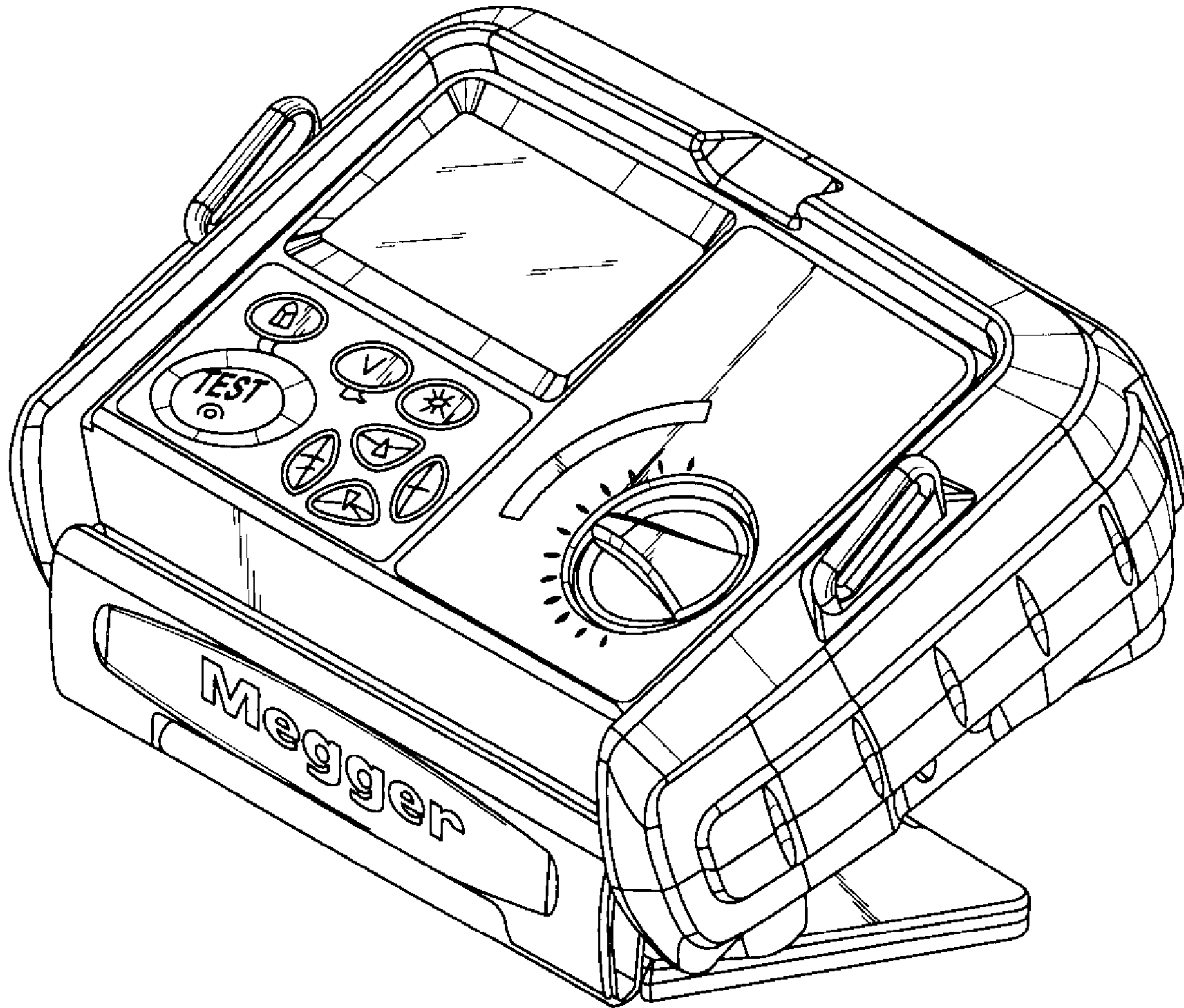


*Fig. 4*

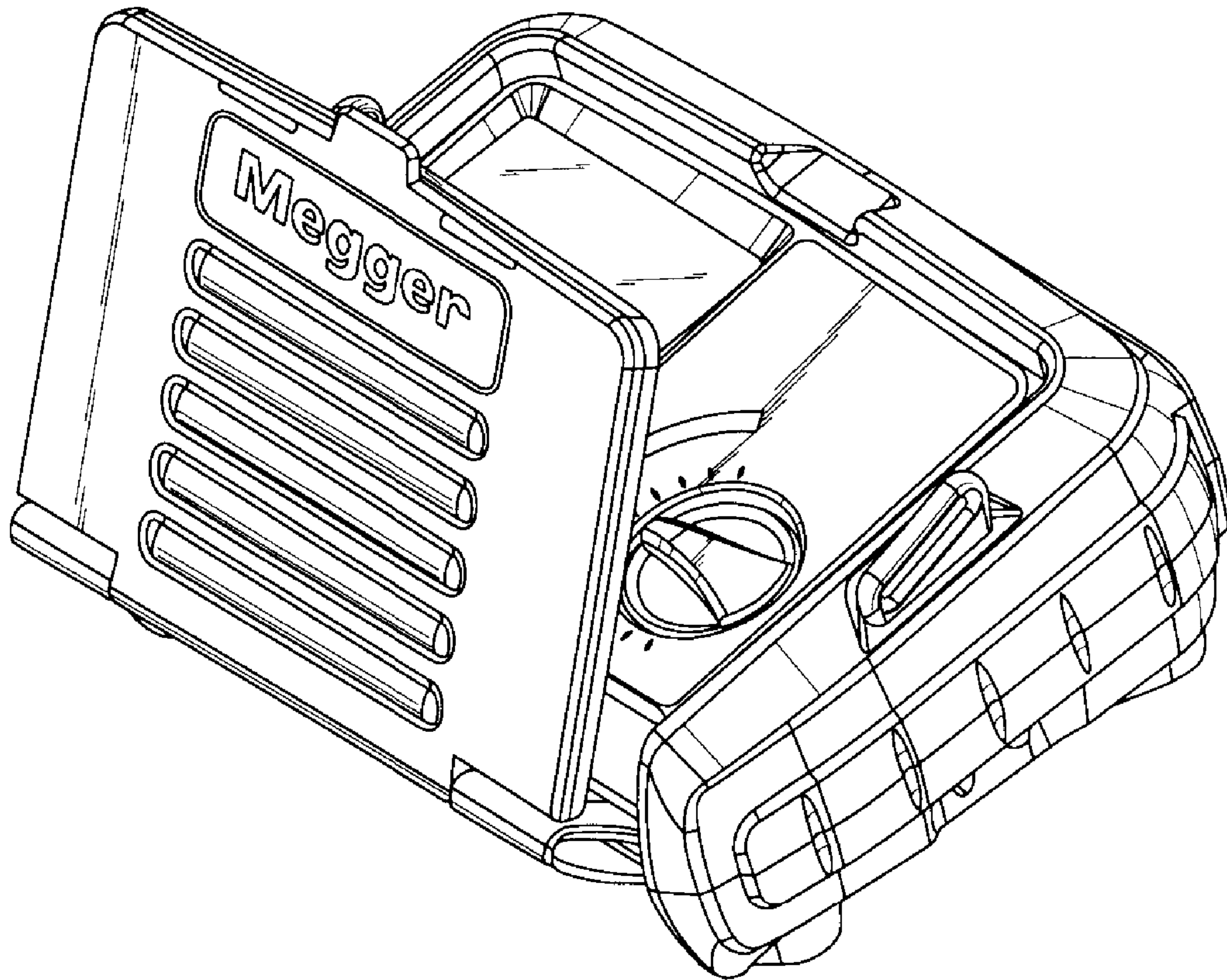


*Fig. 5*





*Fig. 6*



*Fig. 7*