



US00D515949S

(12) **United States Design Patent**
McGuyer

(10) **Patent No.:** **US D515,949 S**
(45) **Date of Patent:** **** Feb. 28, 2006**

- (54) **ADJUSTABLE SCOOP**
 - (75) Inventor: **Carter W. McGuyer**, Muscle Shoals, AL (US)
 - (73) Assignee: **Robbins Industries, Inc.**, Florence, AL (US)
 - (**) Term: **14 Years**
 - (21) Appl. No.: **29/217,529**
 - (22) Filed: **Nov. 18, 2004**
 - (51) **LOC (8) Cl.** **10-04**
 - (52) **U.S. Cl.** **D10/46.2**
 - (58) **Field of Classification Search** D10/46.2,
D10/46.3, 643, 644, 691, 692; 30/324-328;
73/426-429; 294/55
- See application file for complete search history.

- 5,448,913 A 9/1995 Robbins et al.
- D370,421 S * 6/1996 Tucker D10/46.3
- D377,615 S 1/1997 Weterrings
- D388,717 S 1/1998 Weterrings
- D403,211 S 12/1998 Weterrings
- D451,829 S * 12/2001 McGuyer D10/46.3

* cited by examiner

Primary Examiner—Terry A. Wallace
(74) *Attorney, Agent, or Firm*—Kramer Levin Naftalis and Frankel LLP; Gregor N. Neff

(57) **CLAIM**

The ornamental design for an adjustable scoop, as shown and described.

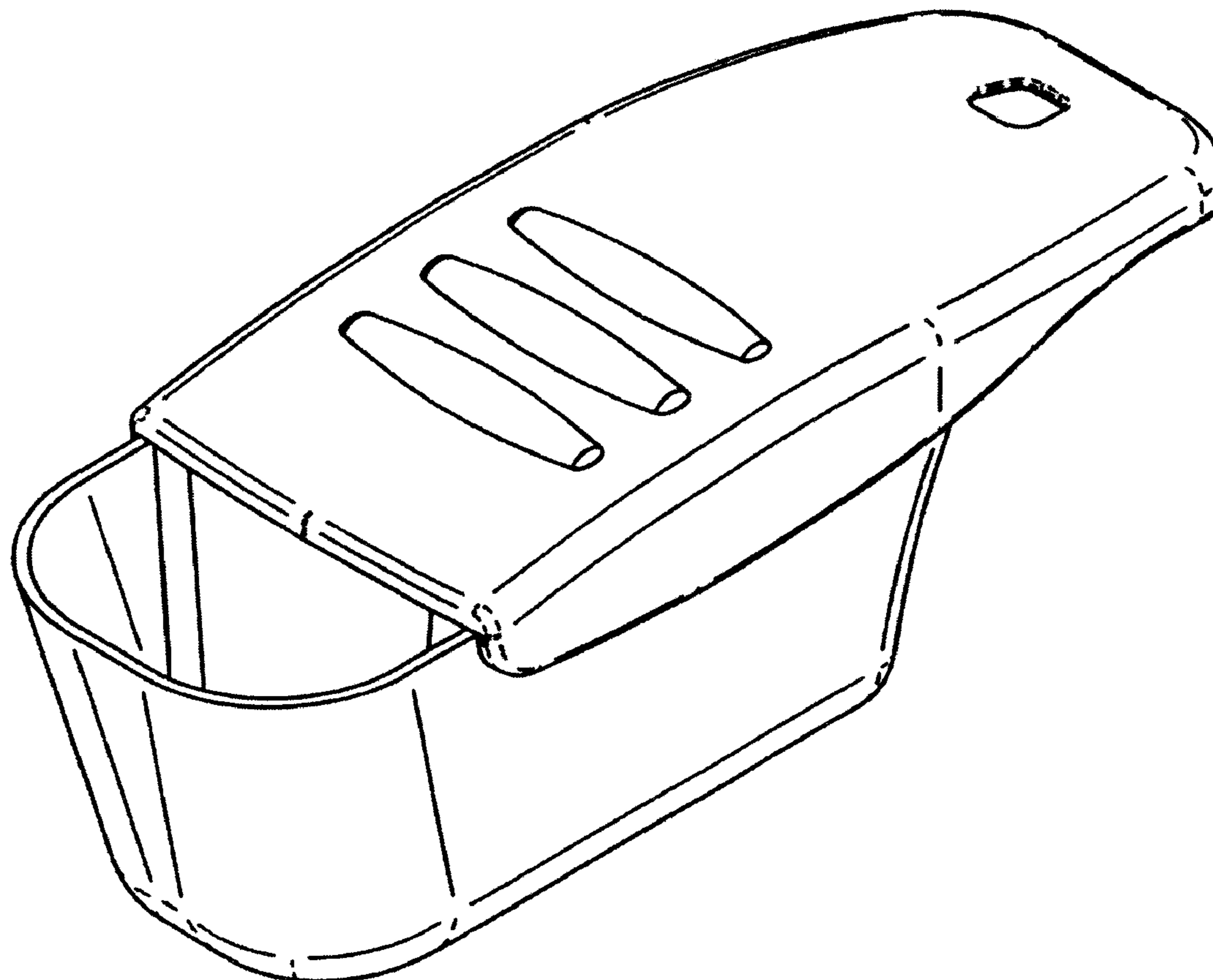
DESCRIPTION

FIG. 1 is a right side perspective view of the adjustable scoop;
FIG. 2 is a left side perspective view of the adjustable scoop;
FIG. 3 is a front elevation view of the adjustable scoop;
FIG. 4 is a right side elevation view of the adjustable scoop;
FIG. 5 is a rear elevation view of the adjustable scoop; and,
FIG. 6 is a top plan view of the adjustable scoop.
The bottom surface of the adjustable scoop is unadorned.

(56) **References Cited**
U.S. PATENT DOCUMENTS

- D163,681 S * 6/1951 Cottrell D10/46.3
- 3,798,975 A * 3/1974 Horst 73/429
- 5,182,948 A 2/1993 Robbins et al.
- D344,686 S 3/1994 Weterrings
- 5,325,717 A 7/1994 Robbins et al.

1 Claim, 2 Drawing Sheets



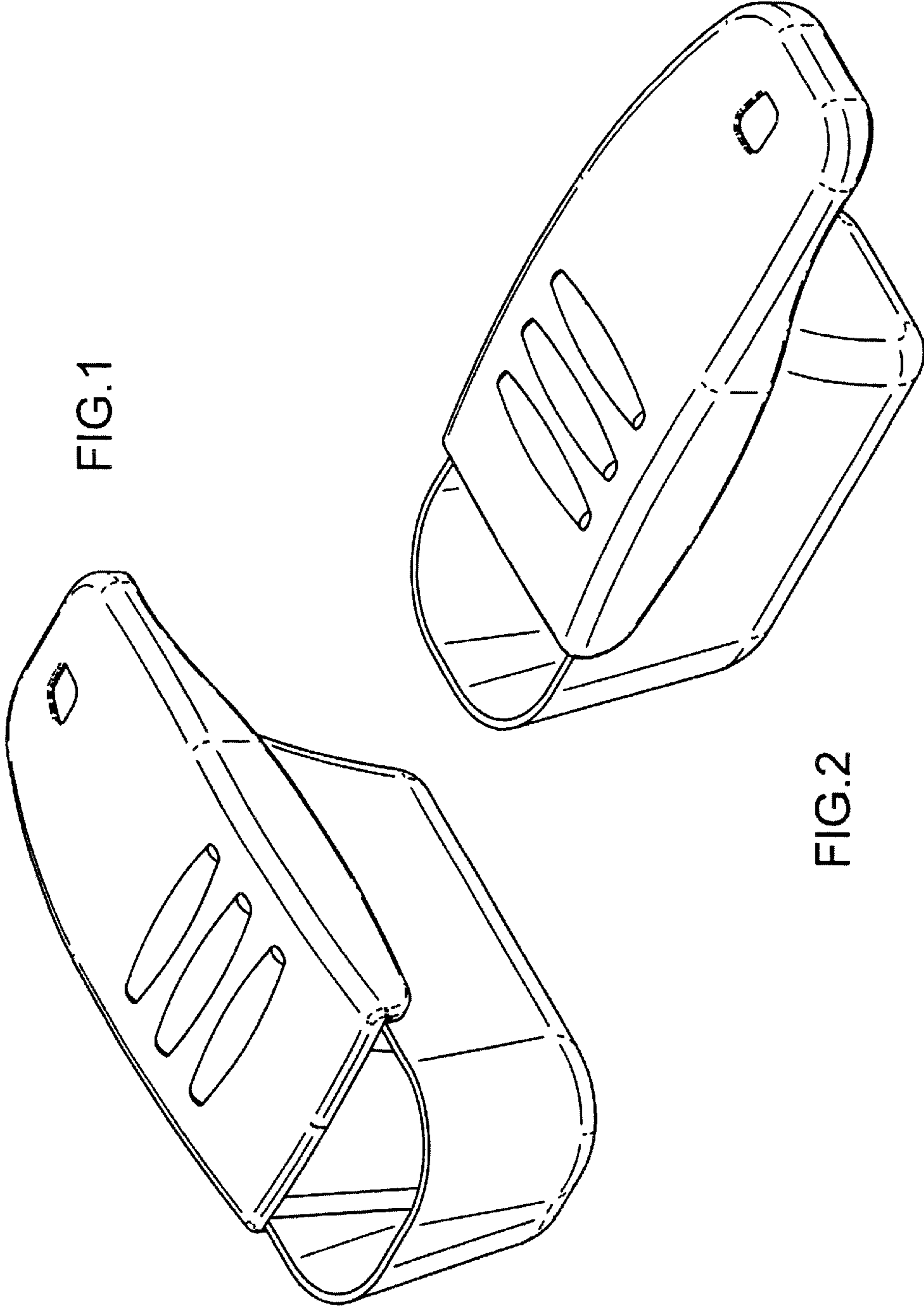


FIG.1

FIG.2

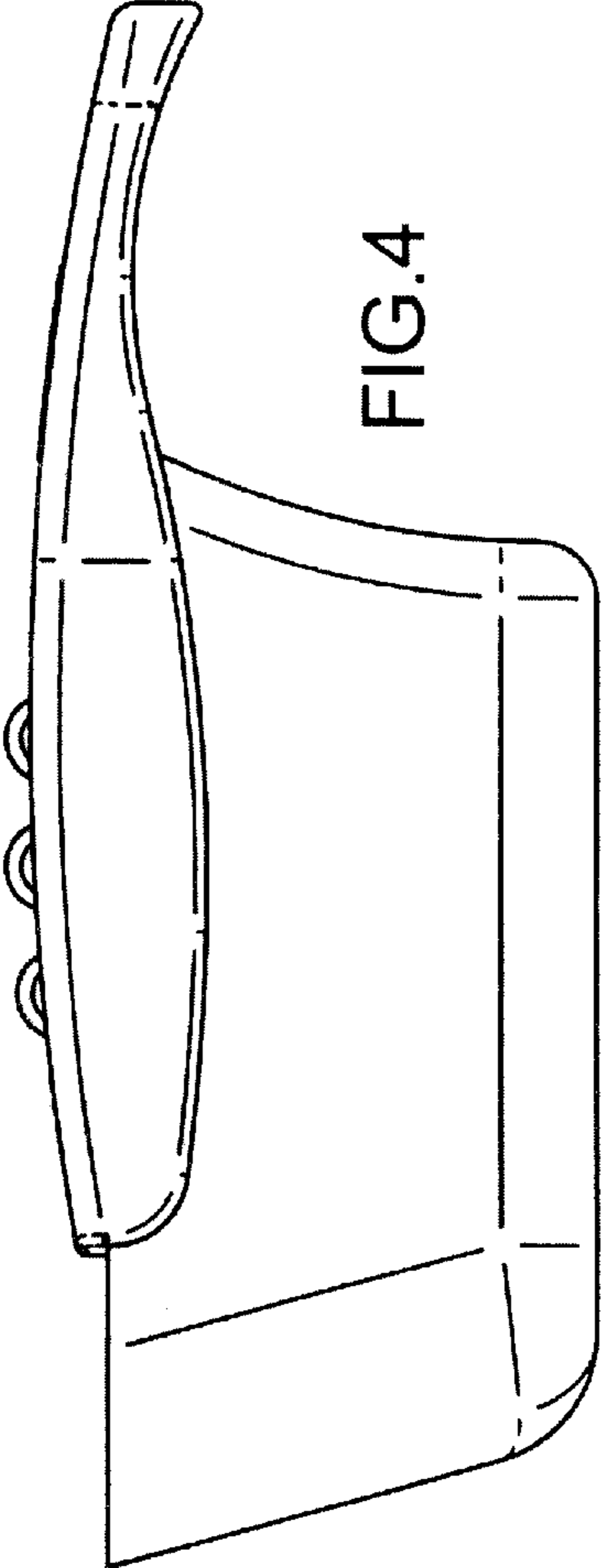


FIG. 4

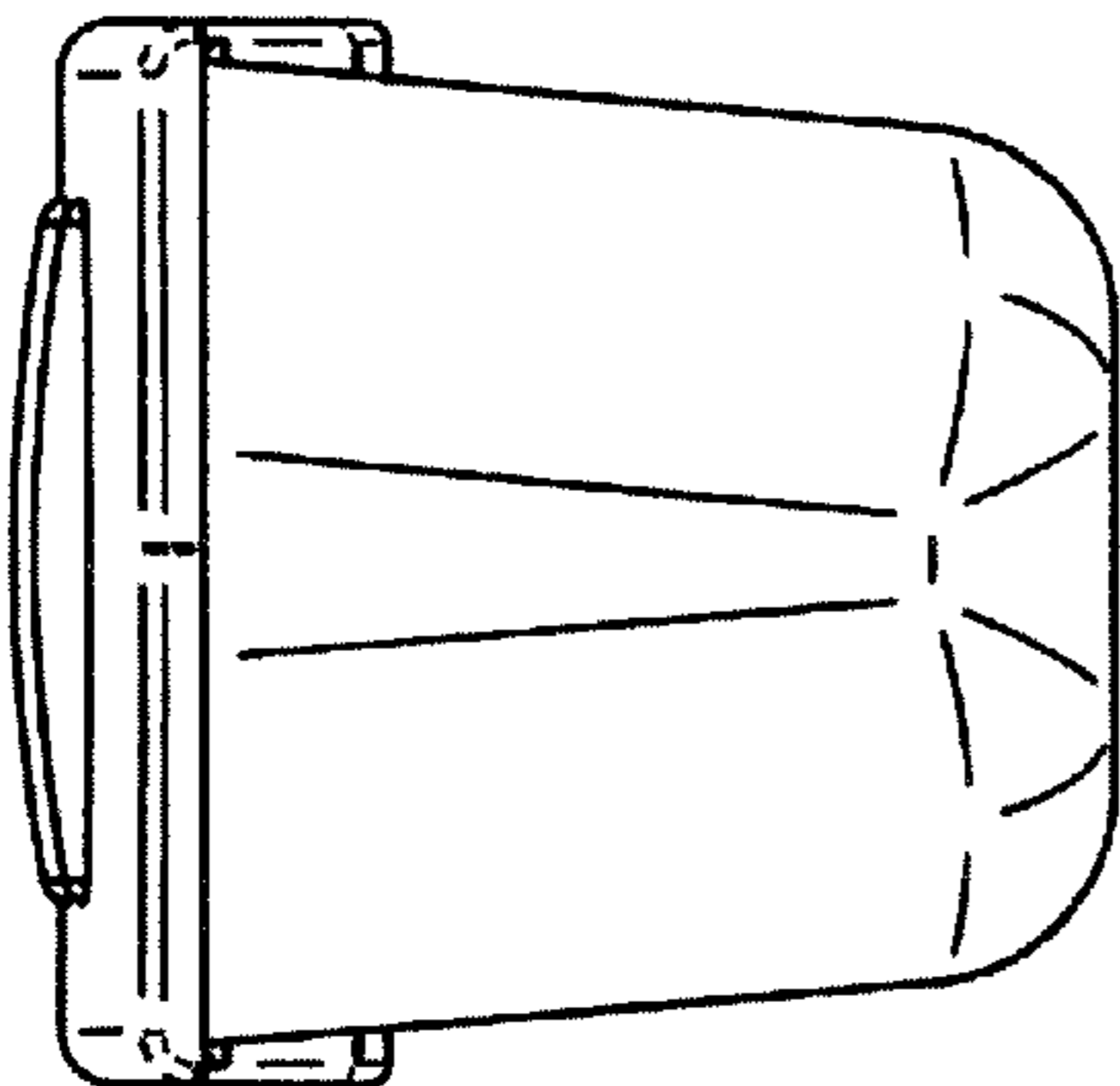


FIG 3

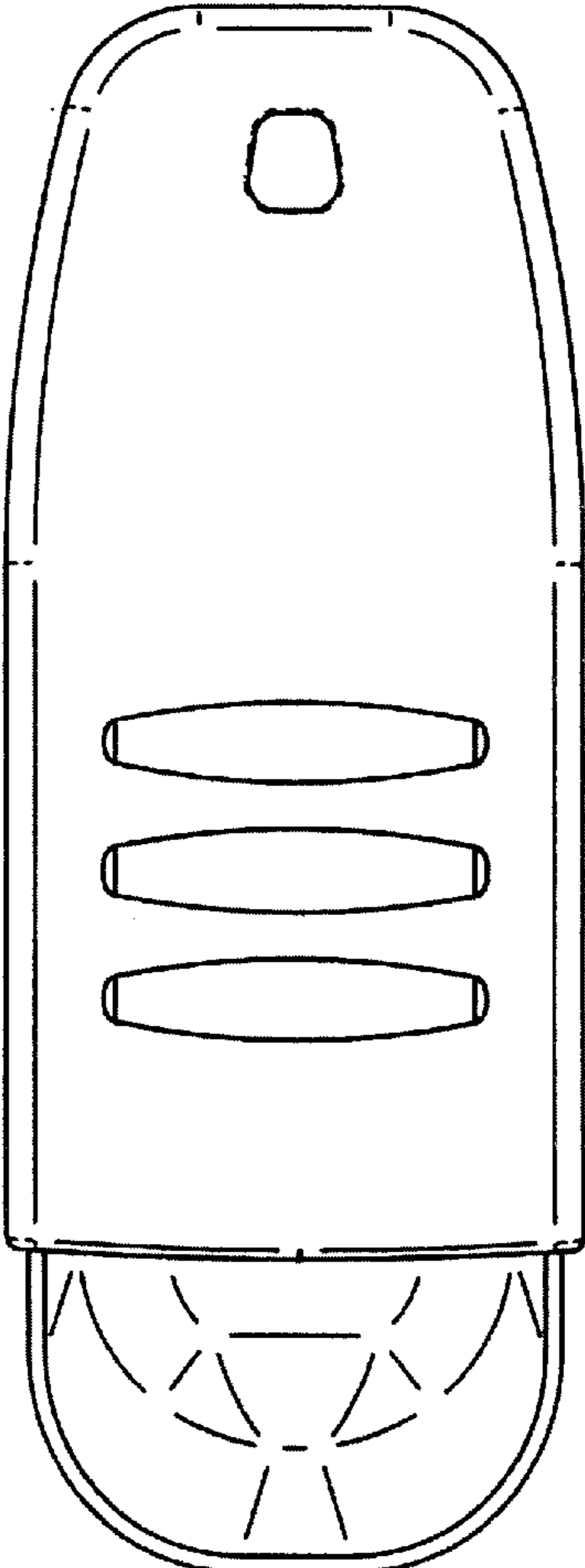


FIG 6

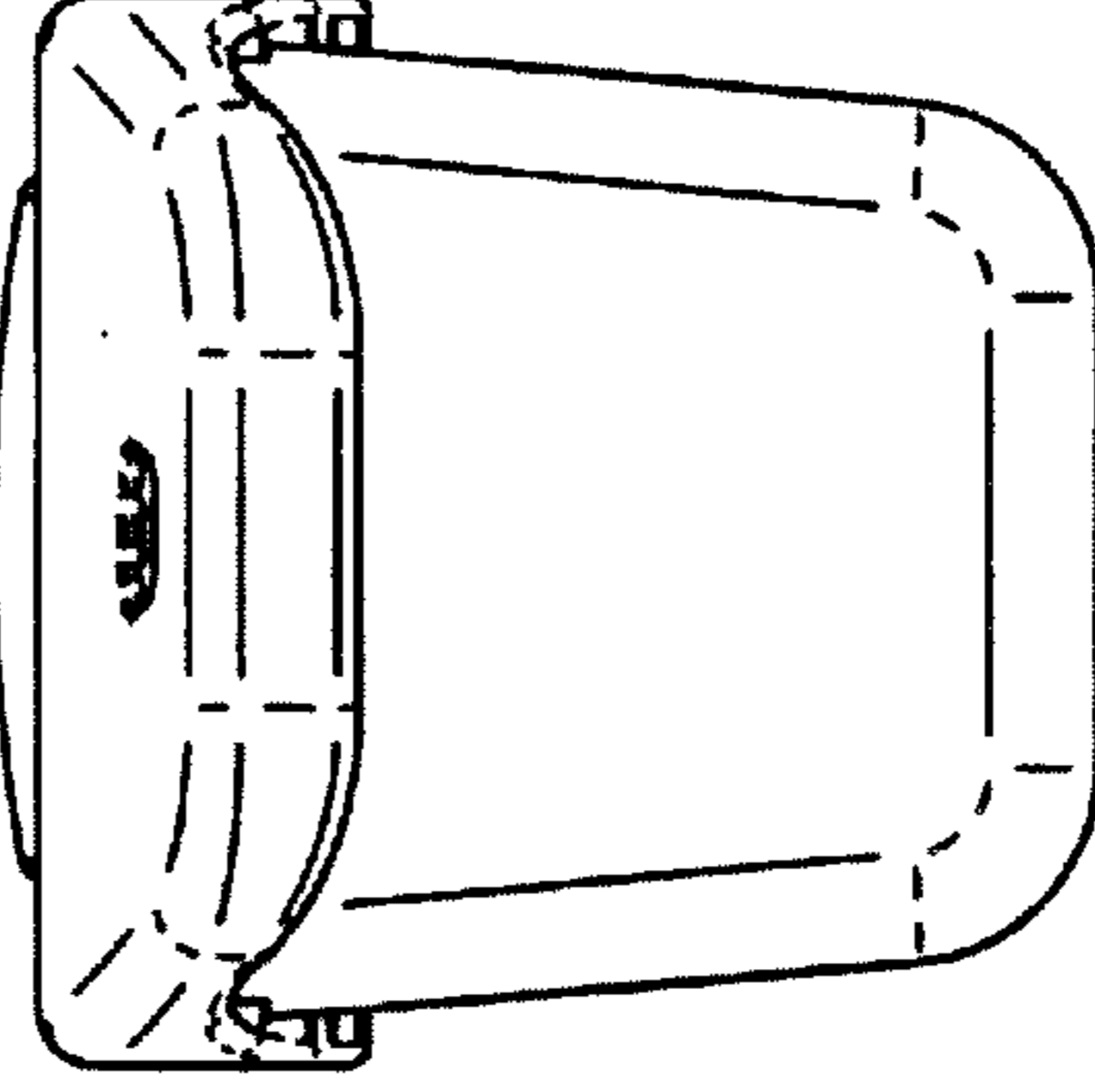


FIG 5