



US00D515944S

(12) **United States Design Patent**  
**Ohki**

(10) **Patent No.:** **US D515,944 S**

(45) **Date of Patent:** **\*\* Feb. 28, 2006**

(54) **WATCH**

(75) **Inventor:** **Masako Ohki, Saitama (JP)**

(73) **Assignee:** **La Montre Hermes S.A., Brugg (CH)**

(\*\*) **Term:** **14 Years**

(21) **Appl. No.:** **29/215,962**

(22) **Filed:** **Oct. 27, 2004**

(51) **LOC (8) Cl. .... 10-02**

(52) **U.S. Cl. .... D10/32; D10/39**

(58) **Field of Classification Search .... D10/30-39,**  
D10/122-132; D11/3-25; 368/281-283,  
368/286, 287, 28-30, 239-242, 276-278,  
368/82-84, 285, 223, 228, 294, 295; 63/1.13,  
63/5.1, 6, 11; 224/164, 168, 178  
See application file for complete search history.

(56) **References Cited**

**U.S. PATENT DOCUMENTS**

2,227,131	A	*	12/1940	Friedman	.....	368/281
D139,671	S	*	12/1944	Pereira	.....	D10/32
2,383,628	A	*	8/1945	Traum	.....	224/178
4,103,808	A	*	8/1978	Hallman et al.	.....	224/168
5,146,437	A	*	9/1992	Boucheron	.....	368/282
5,657,298	A	*	8/1997	Choay	.....	368/276
D383,993	S	*	9/1997	Kalbach	.....	D11/3
6,234,667	B1	*	5/2001	Longman	.....	368/281

6,234,668	B1	*	5/2001	Cooper	.....	368/281
D484,814	S	*	1/2004	Sugiura	.....	D10/32
6,799,887	B1	*	10/2004	Kinney	.....	368/282

\* cited by examiner

*Primary Examiner*—Lucy Lieberman

(74) *Attorney, Agent, or Firm*—Darby & Darby

(57) **CLAIM**

The ornamental design for a watch, as shown and described.

**DESCRIPTION**

FIG. 1 is a front perspective view of a watch showing my design in a closed position;

FIG. 2 is a front perspective view of the watch of FIG. 1 in an open position;

FIG. 3 is a side elevation view of the watch of FIG. 2;

FIG. 4 is a front elevation of FIG. 2;

FIG. 5 is a rear elevation view of the watch of FIG. 1;

FIG. 6 is a side elevation view of the watch of FIG. 1;

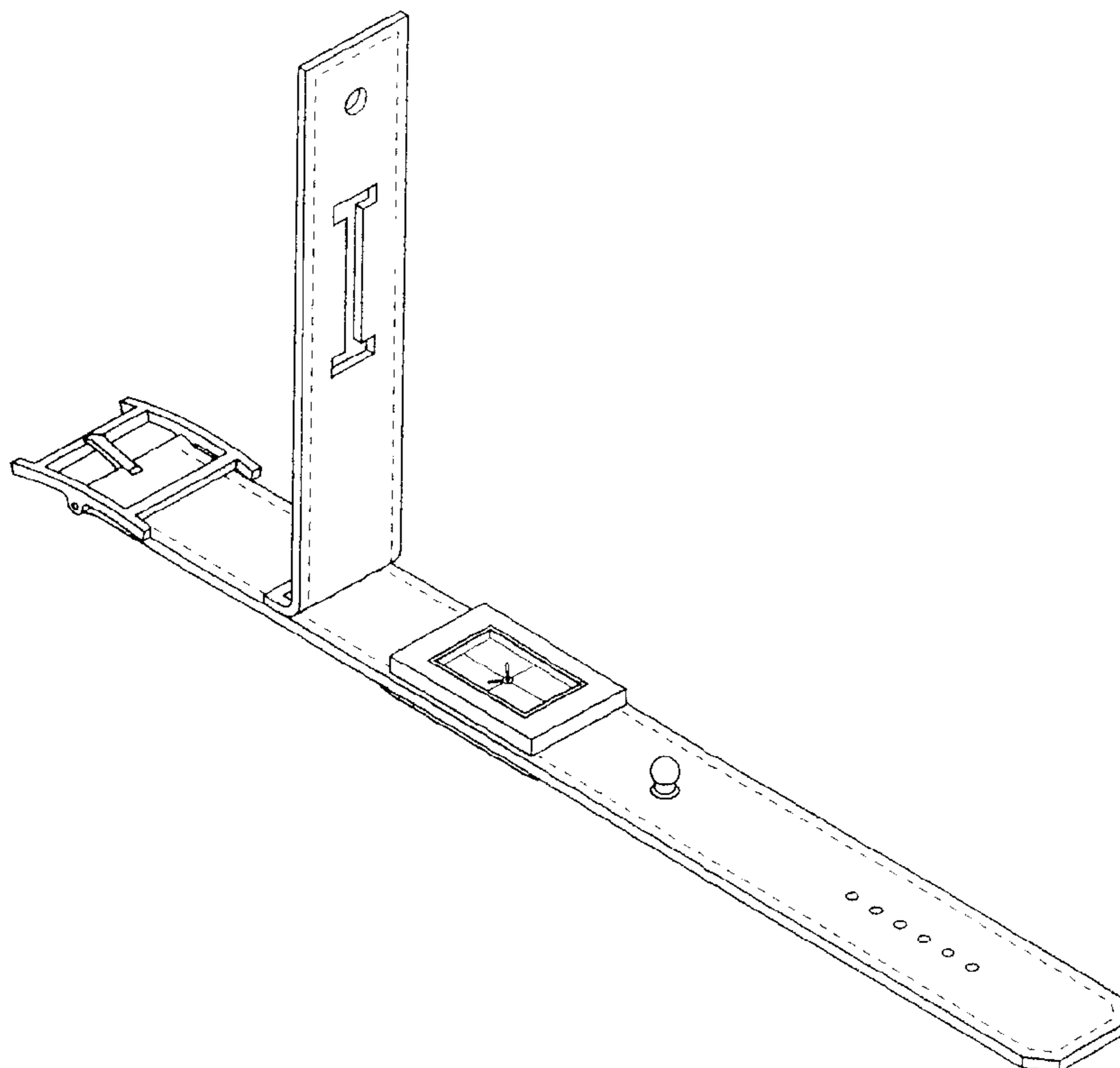
FIG. 7 is a front elevation of FIG. 1;

FIG. 8 is a first end elevation view of the watch of FIG. 7; and,

FIG. 9 is a second end elevation view of the watch of FIG. 7.

The broken lines shown on the watchband represent stitching.

**1 Claim, 3 Drawing Sheets**



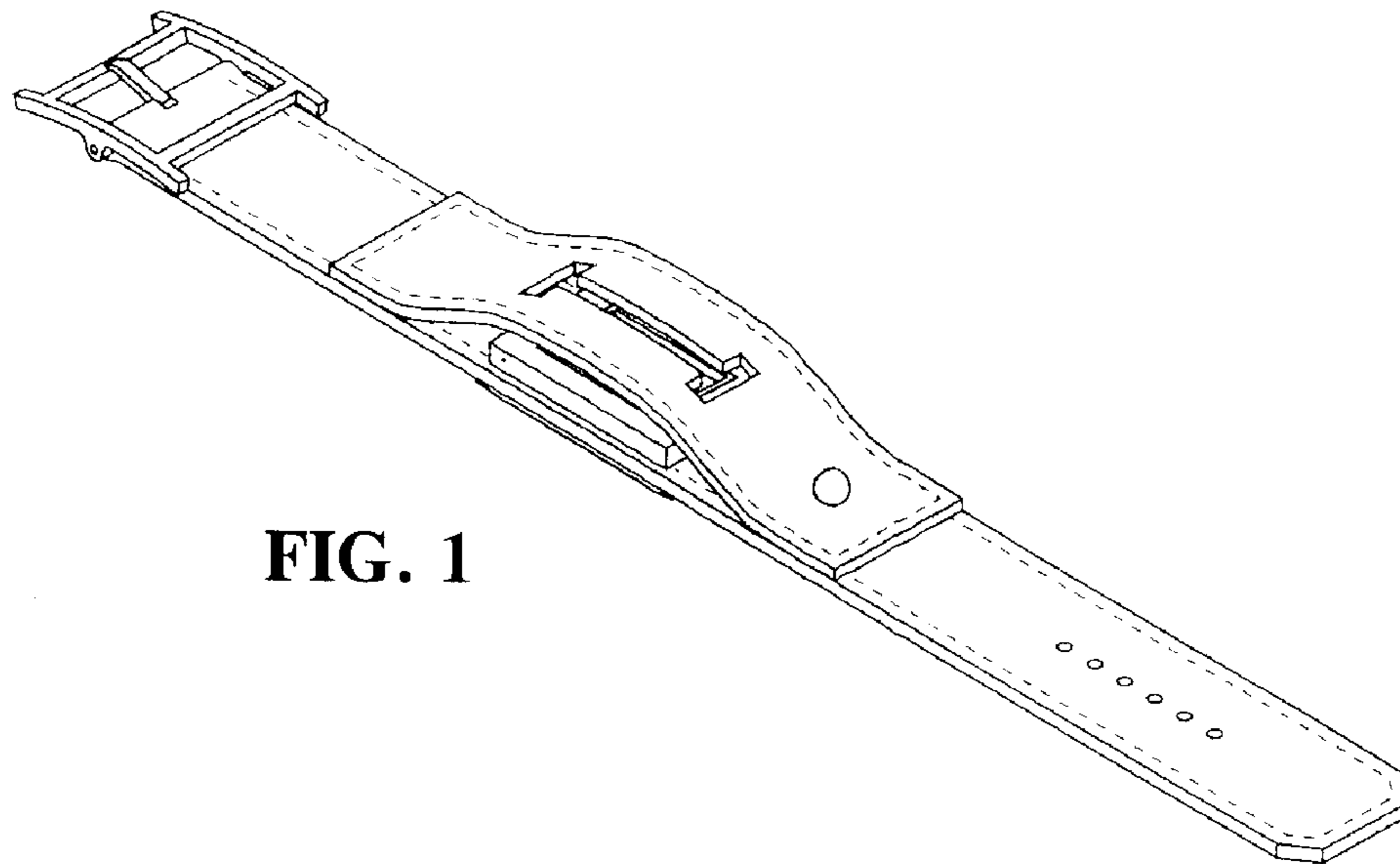


FIG. 1

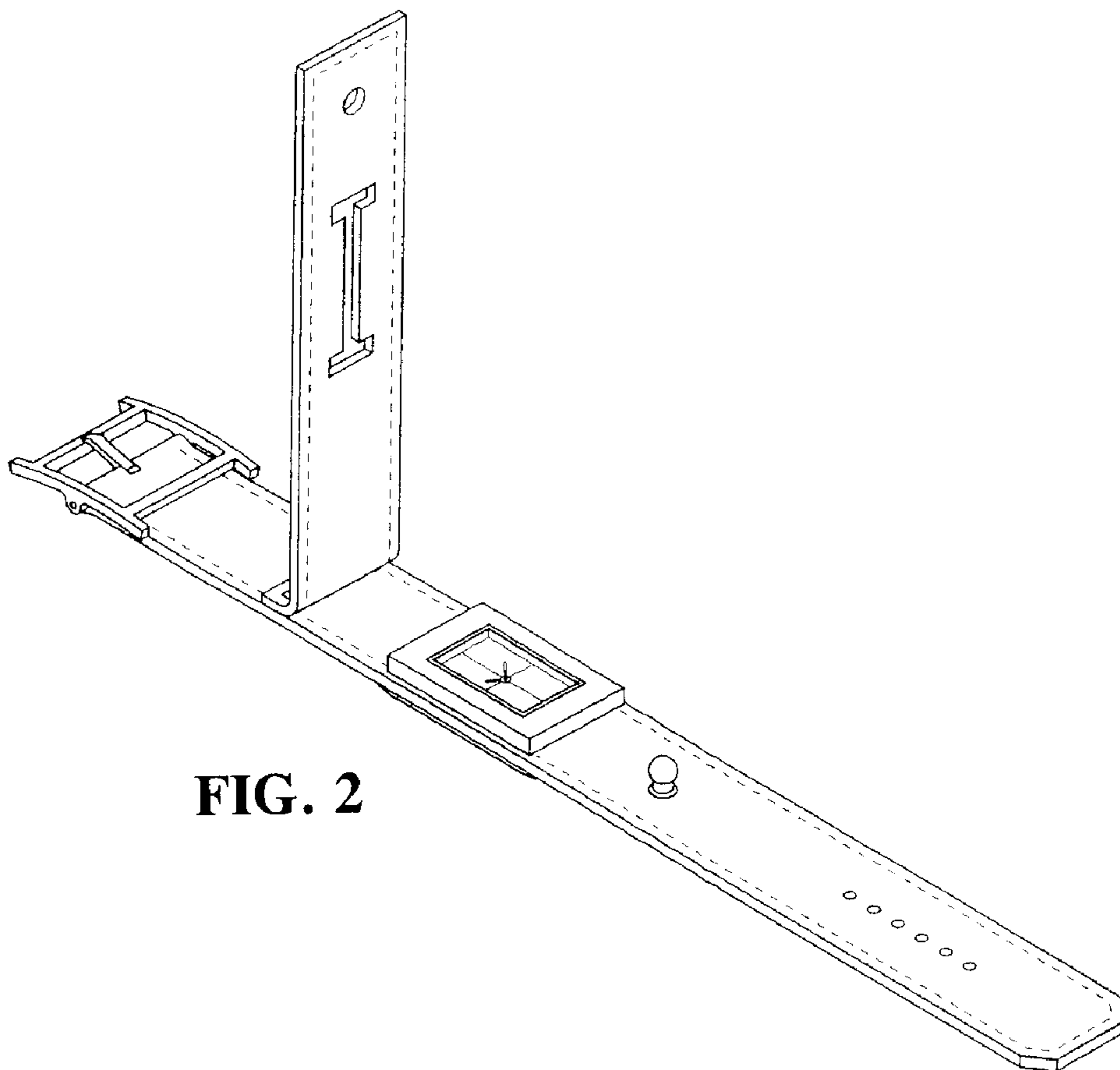


FIG. 2

FIG. 3

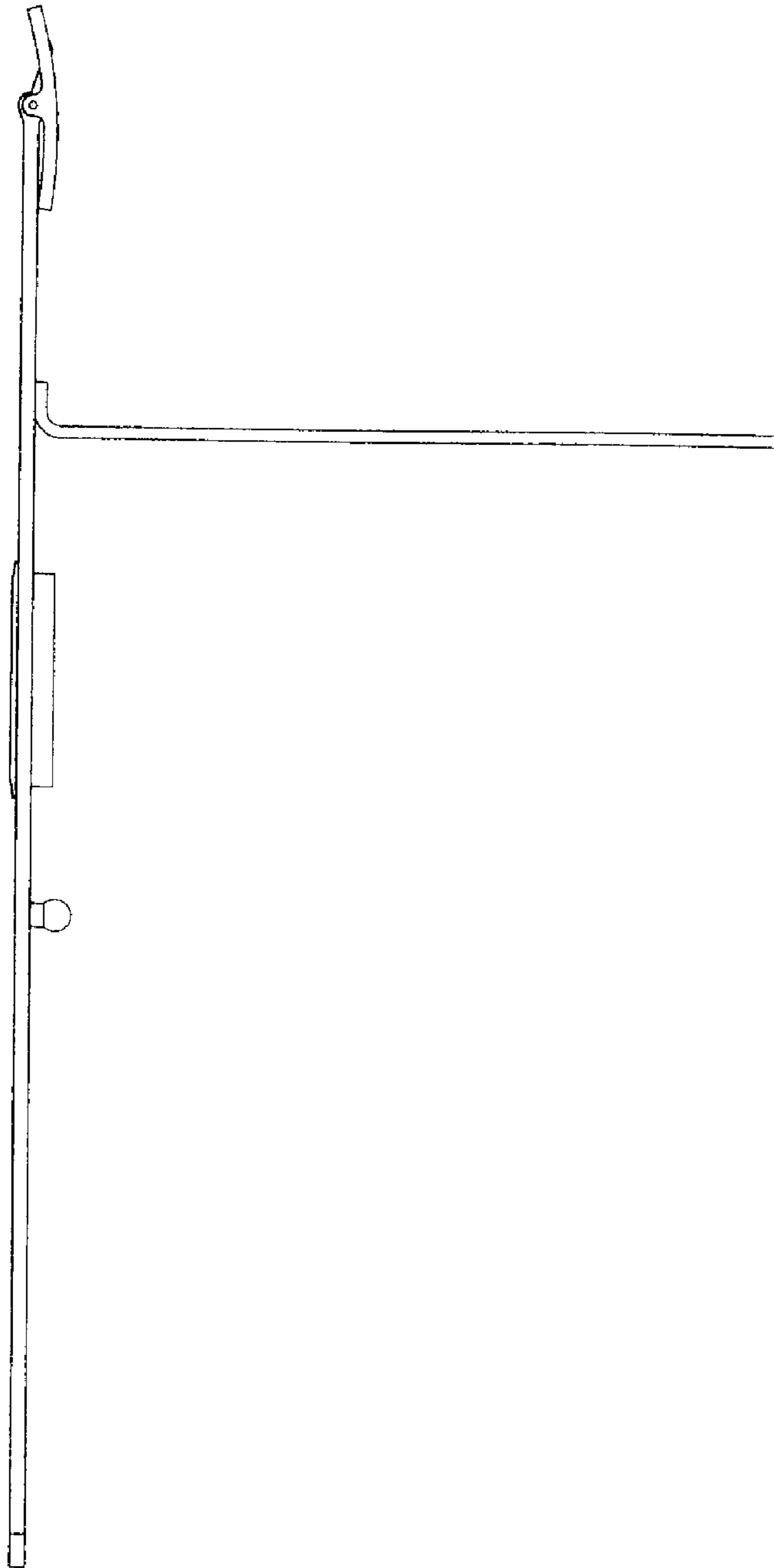
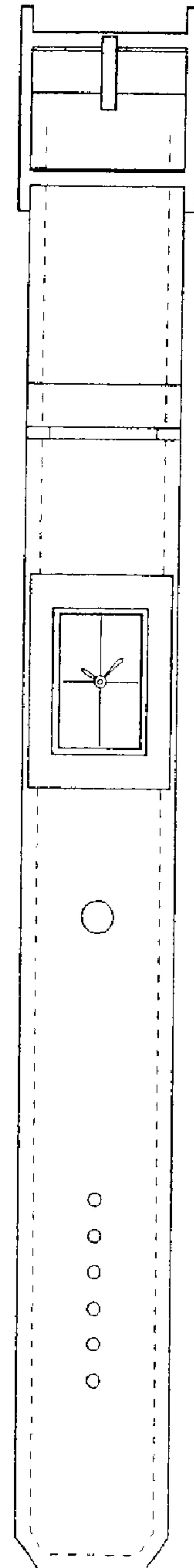
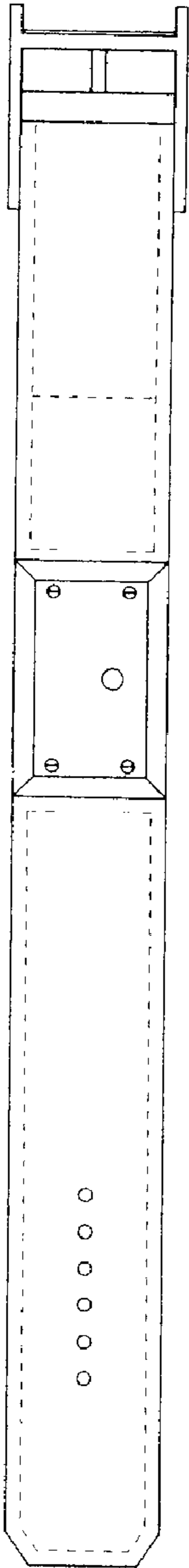


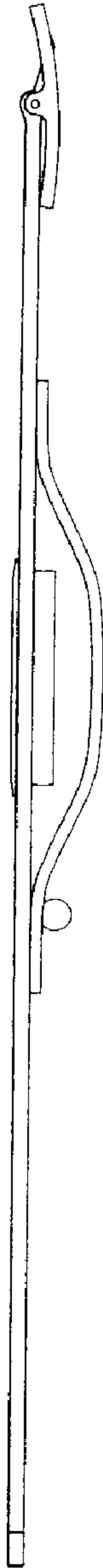
FIG. 4



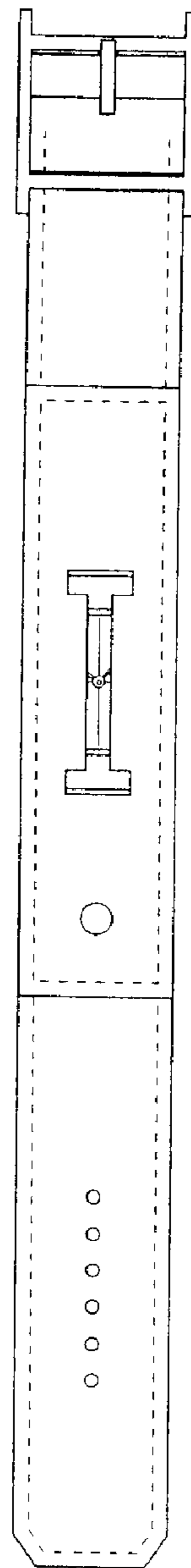
**FIG. 5**



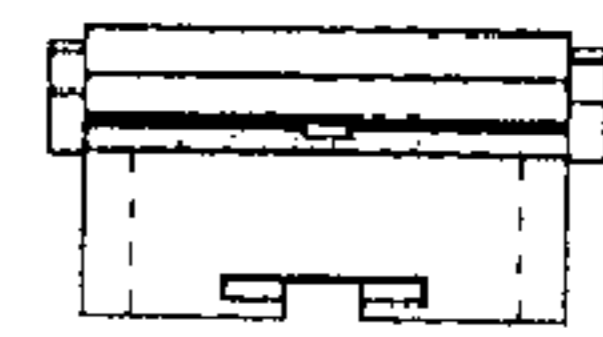
**FIG. 6**



**FIG. 7**



**FIG. 8**



**FIG. 9**

