



US00D515943S

(12) **United States Design Patent** (10) **Patent No.:** **US D515,943 S**
Hamblin et al. (45) **Date of Patent:** **** Feb. 28, 2006**

(54) **MUFFIN TRAY**

(75) Inventors: **Ronald Geoffrey Hamblin**, Willoughby (AU); **Tony Christophersen**, Chelmer (AU)

(73) Assignees: **Ancor Limited** (AU); **Dane Pty Ltd** (AU)

(**) Term: **14 Years**

(21) Appl. No.: **29/214,843**

(22) Filed: **Oct. 8, 2004**

(30) **Foreign Application Priority Data**

Apr. 8, 2004 (AU) 1386/04

(51) **LOC (8) Cl.** **09-03**

(52) **U.S. Cl.** **D9/756; D9/433; D24/230**

(58) **Field of Classification Search** D9/756-762, D9/721, 455, 430-433, 456; 206/562-564, 206/497, 557, 518, 521.1; 220/62, 507, 556; 229/407, 904, 906, 120, 155, 905, 198.2, 229/108, 100; D7/601, 602, 610, 614, 619.1; D12/190; D24/224, 225, 227, 230; 53/457
See application file for complete search history.

(56) **References Cited**

U.S. PATENT DOCUMENTS

2,981,039 A * 4/1961 Pohl 53/457
3,209,980 A * 10/1965 Festa 206/521.1
3,840,171 A * 10/1974 Waters 206/562
3,949,930 A * 4/1976 Giordano 206/562
4,053,099 A * 10/1977 Lock 206/562

D287,116 S * 12/1986 Envall et al. D12/190
D290,042 S * 5/1987 Ford D24/225
5,540,334 A * 7/1996 Haas et al. 206/563
5,765,690 A * 6/1998 Baxter 206/562
6,296,120 B1 * 10/2001 Danko 206/564
6,311,842 B1 * 11/2001 Minerich et al. 206/562
2002/0108880 A1 * 8/2002 Krupa et al. 206/497

* cited by examiner

Primary Examiner—Stella Reid

Assistant Examiner—Mark A. Goodwin

(74) *Attorney, Agent, or Firm*—Michael Best & Friedrich LLP

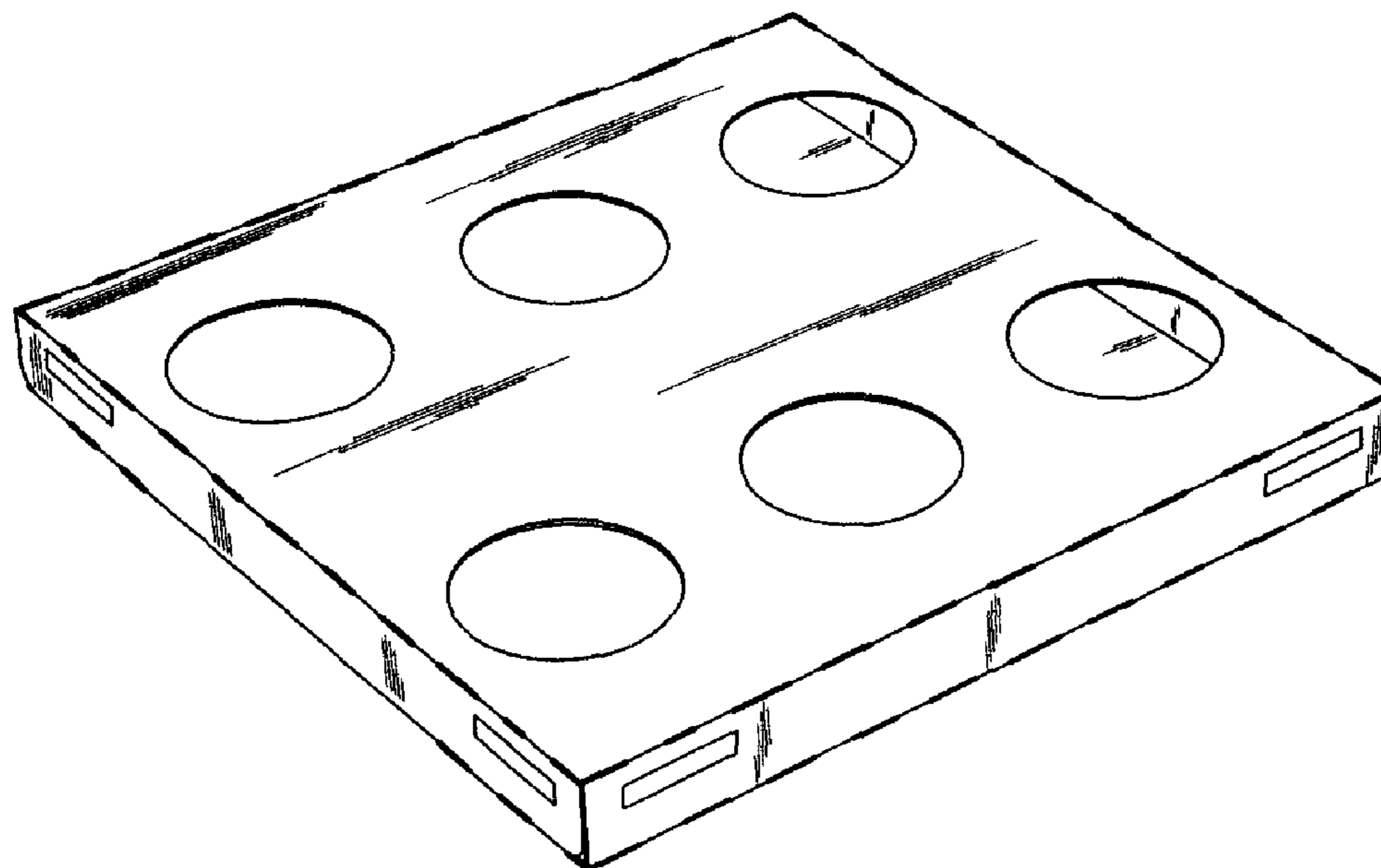
(57) **CLAIM**

The ornamental design for a muffin tray, as shown.

DESCRIPTION

FIG. 1 is a perspective view of a muffin tray in assembled condition showing our new design;
FIG. 2 is a top plan view thereof;
FIG. 3 is a bottom plan view thereof;
FIG. 4 is a side elevation view, the opposite side being a mirror image thereof;
FIG. 5 is an end elevation view, the opposite end being a mirror image thereof;
FIG. 6 is a side elevation view in collapsed condition, the opposite side being a mirror image thereof;
FIG. 7 is an end plan view, the opposite end being a mirror image thereof;
FIG. 8 is a plan view in unassembled condition;
FIG. 9 is a top plan view in collapsed condition; and,
FIG. 10 is a bottom plan view thereof.

1 Claim, 3 Drawing Sheets



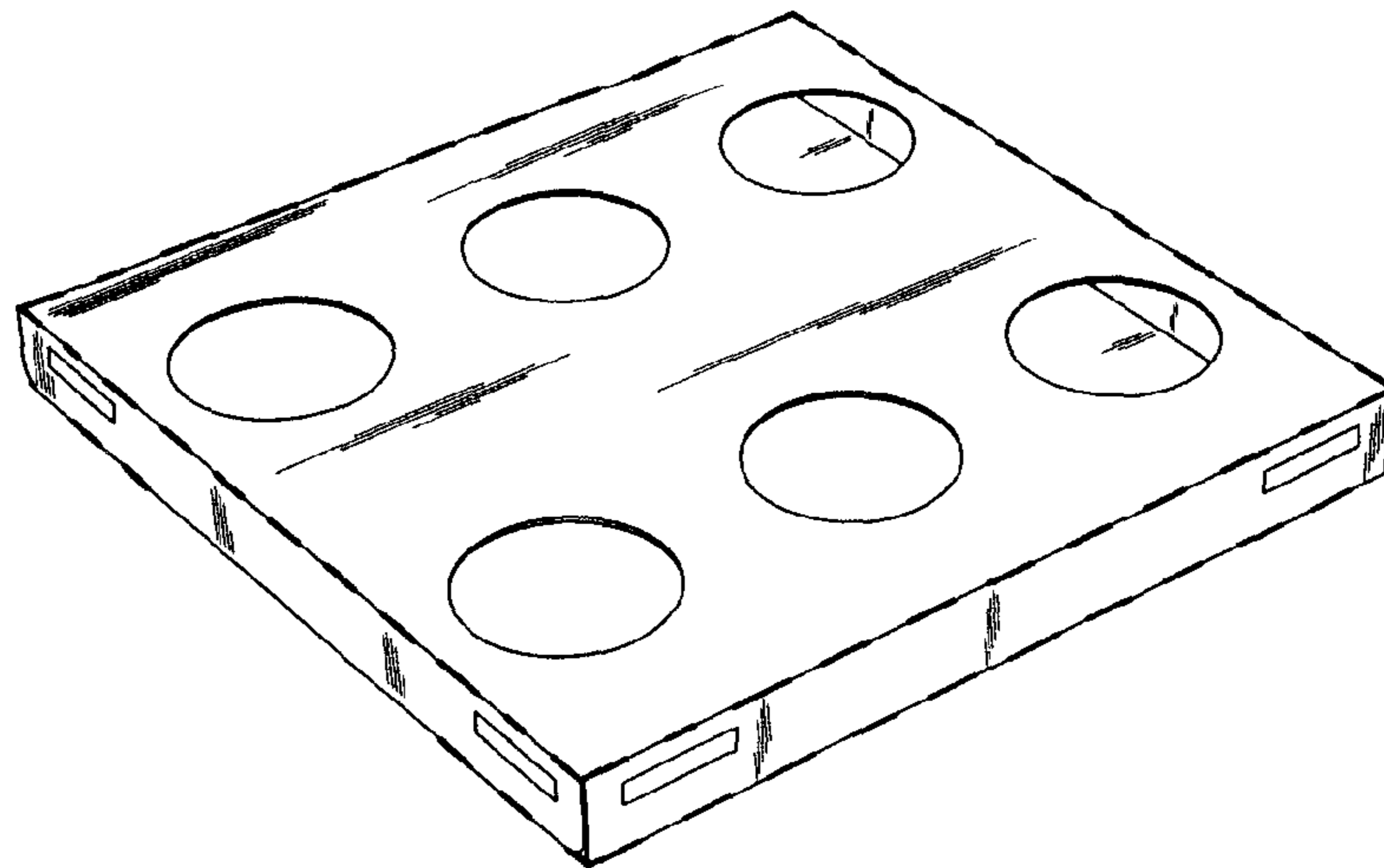


FIG. 1

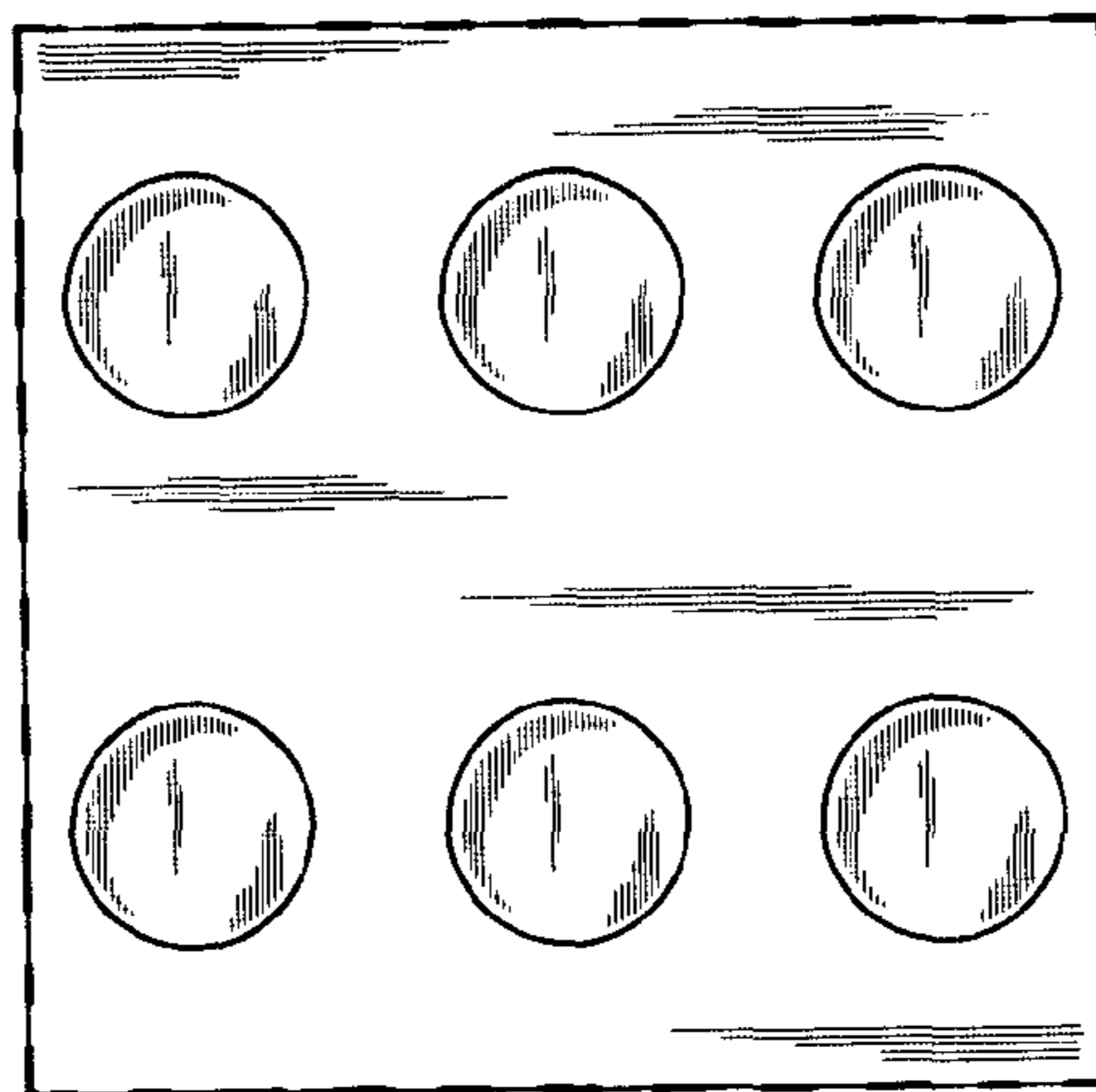


FIG. 2

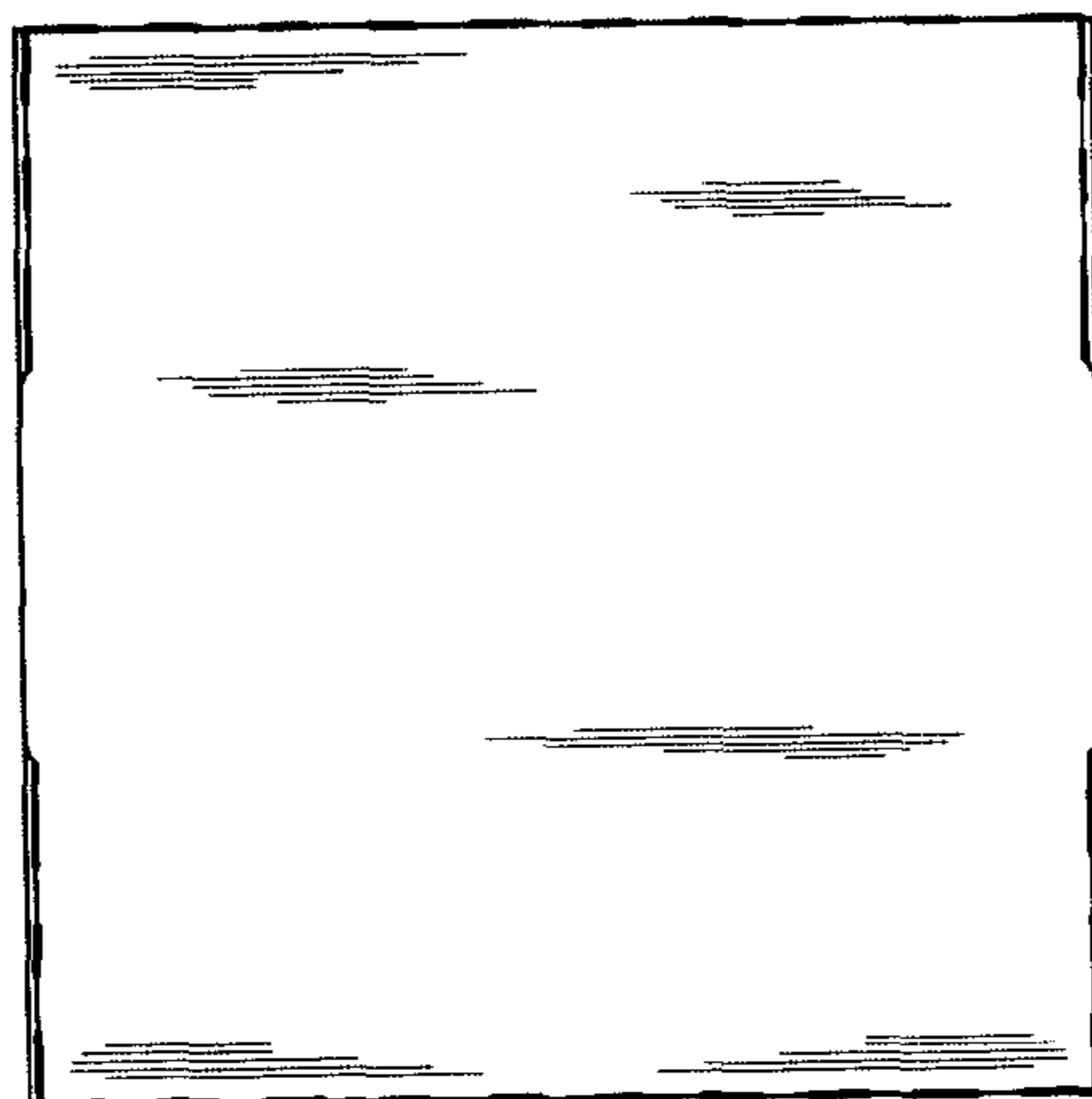


FIG. 3



FIG. 4



FIG. 5



FIG. 6



FIG. 7

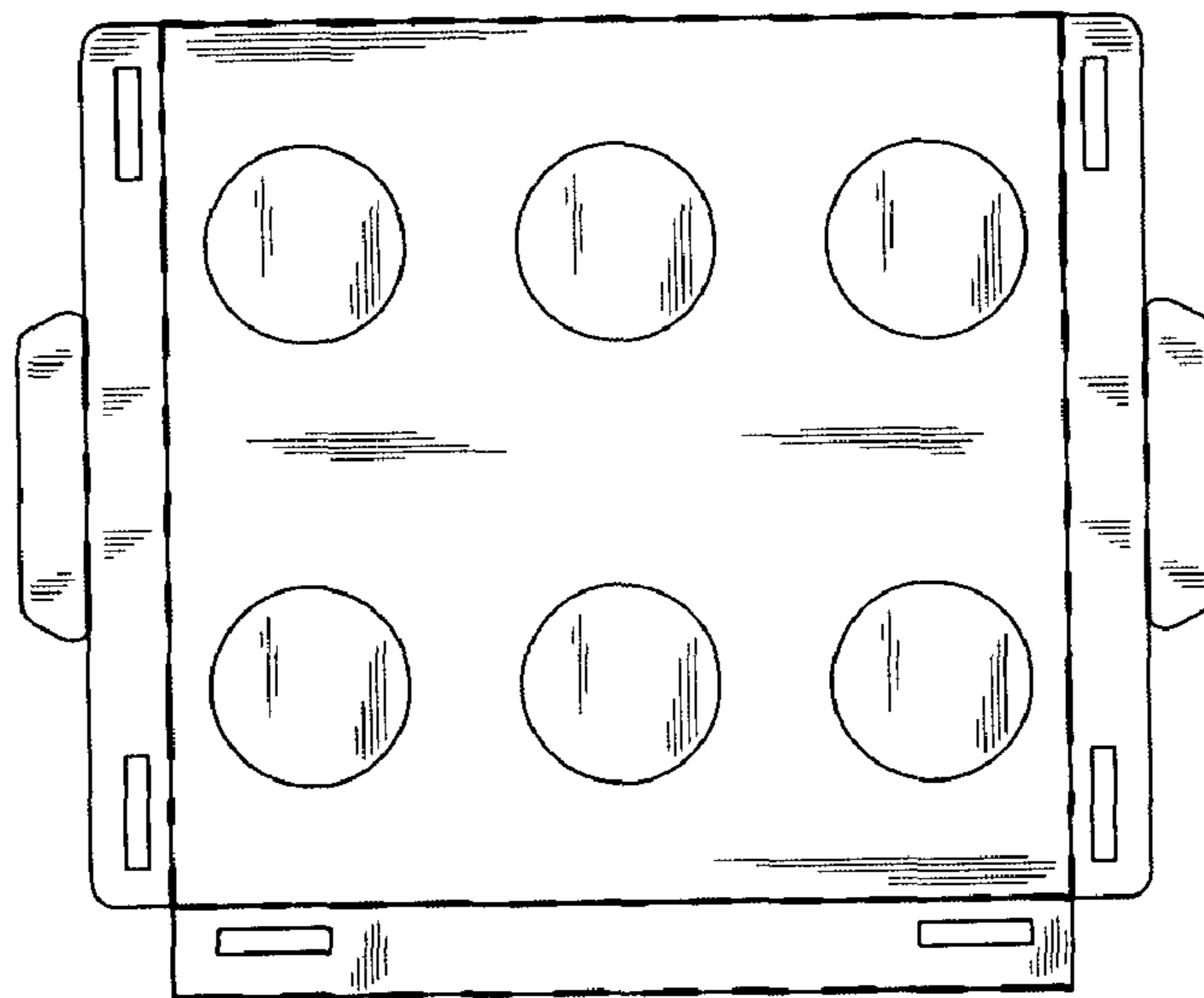


FIG. 9

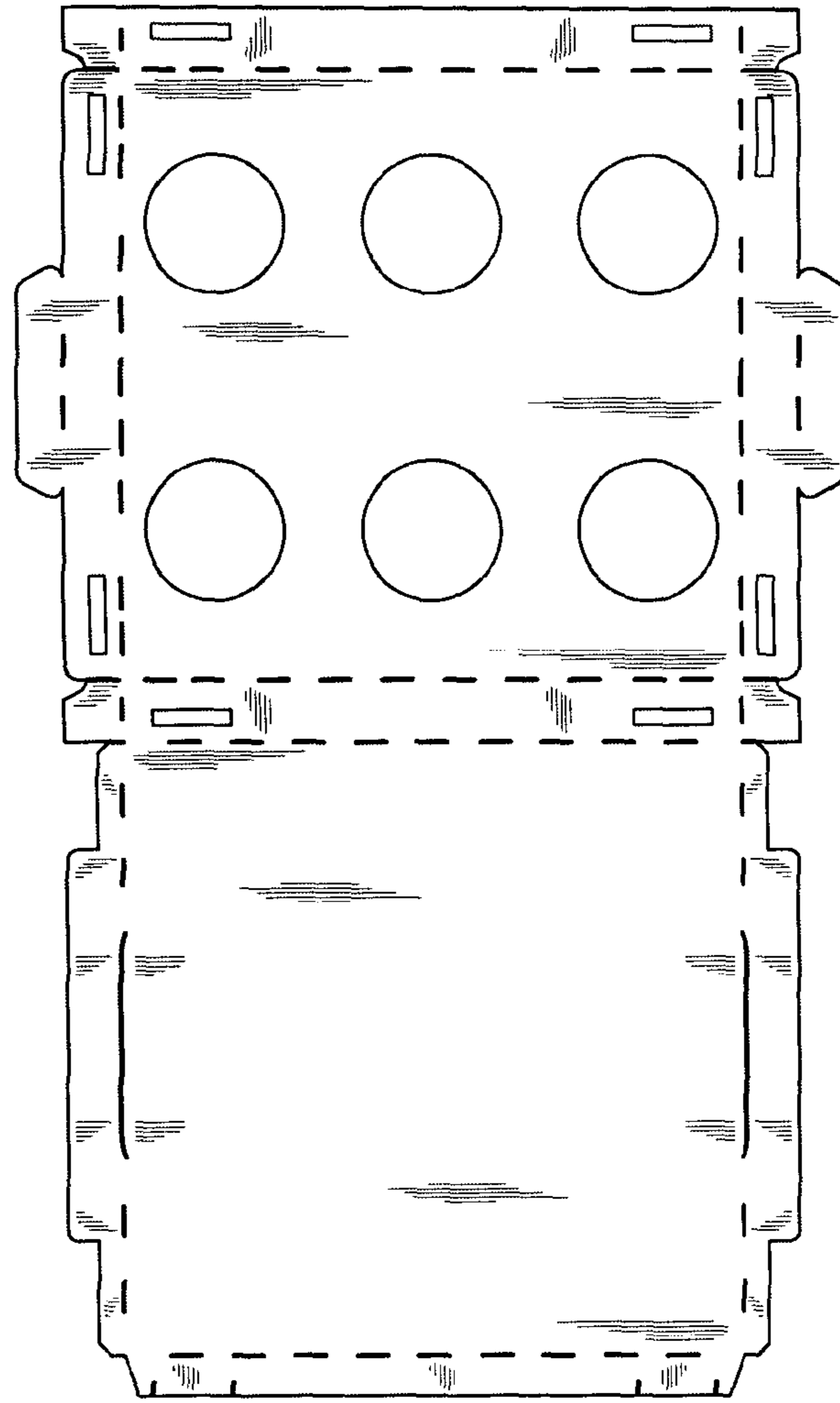


FIG. 8

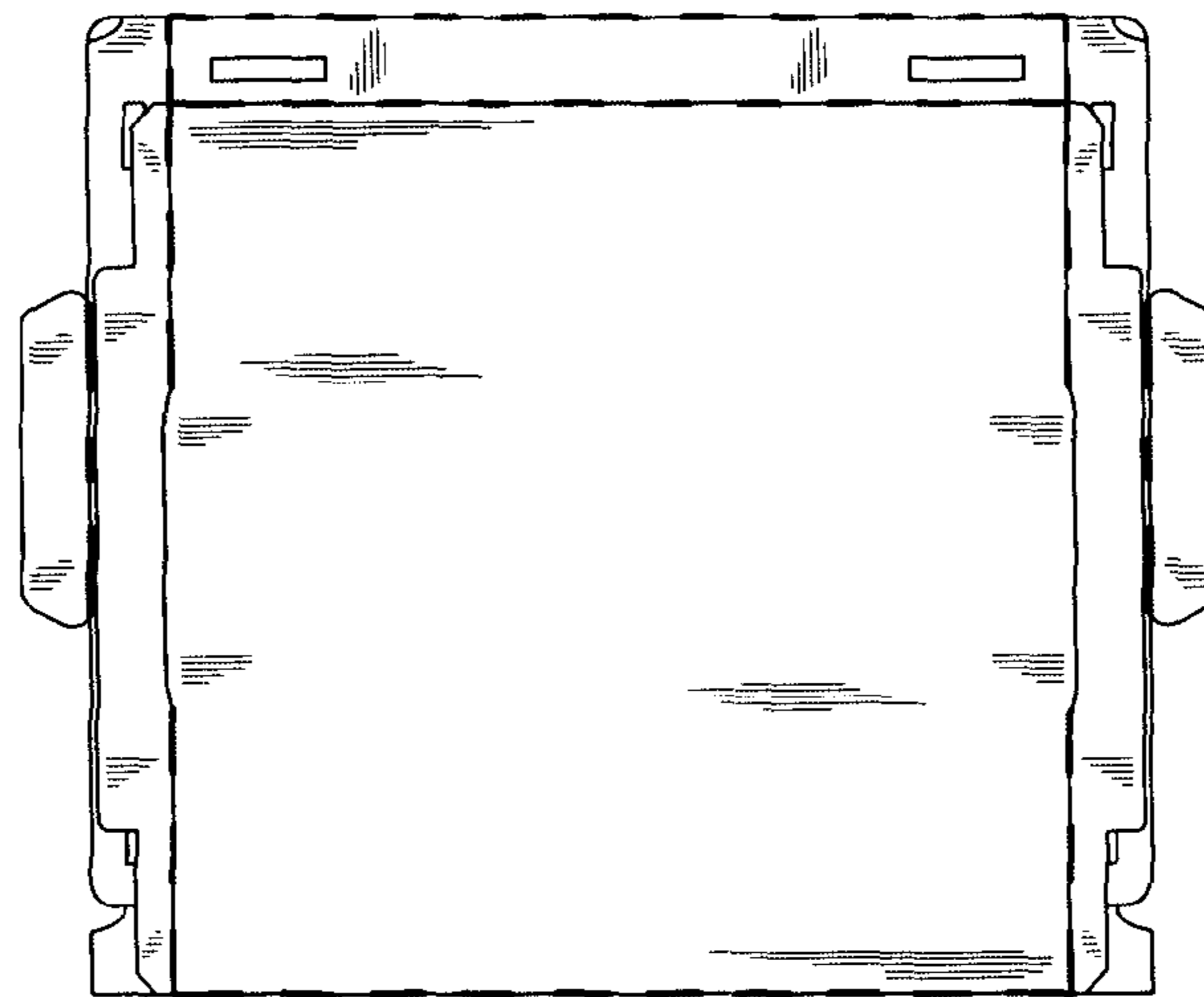


FIG. 10