



US00D515940S

(12) **United States Design Patent**
Kratko

(10) **Patent No.:** **US D515,940 S**

(45) **Date of Patent:** **** Feb. 28, 2006**

(54) **LIQUID BEVERAGE CONTAINER**

(76) **Inventor:** **Irina Kratko**, 46 Zemlyanoi Val, Apt.
76, Moscow (RU), 105064

(**) **Term:** **14 Years**

(21) **Appl. No.:** **29/218,845**

(22) **Filed:** **Dec. 8, 2004**

(51) **LOC (8) Cl.** **09-01**

(52) **U.S. Cl.** **D9/745; D9/560**

(58) **Field of Classification Search** D9/738,
D9/743-746, 516, 505, 529, 544-545, 560,
D9/572-573, 575; 215/6, 10, 12.1, 382
See application file for complete search history.

(56) **References Cited**

U.S. PATENT DOCUMENTS

D31,179 S	*	7/1899	Low	D9/560
769,615 A	*	9/1904	Kosansvich	215/10
D72,687 S		5/1927	Vionnet		
D91,366 S	*	1/1934	Piazzoli	D9/560
2,374,092 A	*	4/1945	Glaser	215/6
2,641,374 A	*	6/1953	Der Yuen	215/10
2,960,248 A	*	11/1960	Kuhlman	215/10
2,973,119 A		2/1961	Parker		
3,160,326 A		12/1964	Sturdevant et al.		
3,391,824 A	*	7/1968	Wiseman	215/10 X
D222,826 S		1/1972	Newman		
3,765,574 A		10/1973	Urquiza		
D233,415 S	*	10/1974	Stock	D9/529
D259,173 S	*	5/1981	Lauren	D9/560
D278,032 S		3/1985	de Mourgues		
5,211,299 A	*	5/1993	Manfredonia	215/10 X
5,232,108 A	*	8/1993	Nakamura	215/6
D386,949 S	*	12/1997	McArdle	D7/590

5,782,358 A	*	7/1998	Walker	220/23.4 X
D416,807 S	*	11/1999	Varlet	D9/560
D422,906 S		4/2000	Mellish		
D454,502 S	*	3/2002	Legros	D9/544
D455,079 S		4/2002	Kratko		
D487,697 S	*	3/2004	Rosen	D9/745
D494,476 S	*	8/2004	Cwynar-Laska et al.	D9/560

FOREIGN PATENT DOCUMENTS

GB	2029398	*	6/1993
GB	2036726	*	6/1994

* cited by examiner

Primary Examiner—Carol Rademaker

(74) *Attorney, Agent, or Firm*—James C. Nemmers

(57) **CLAIM**

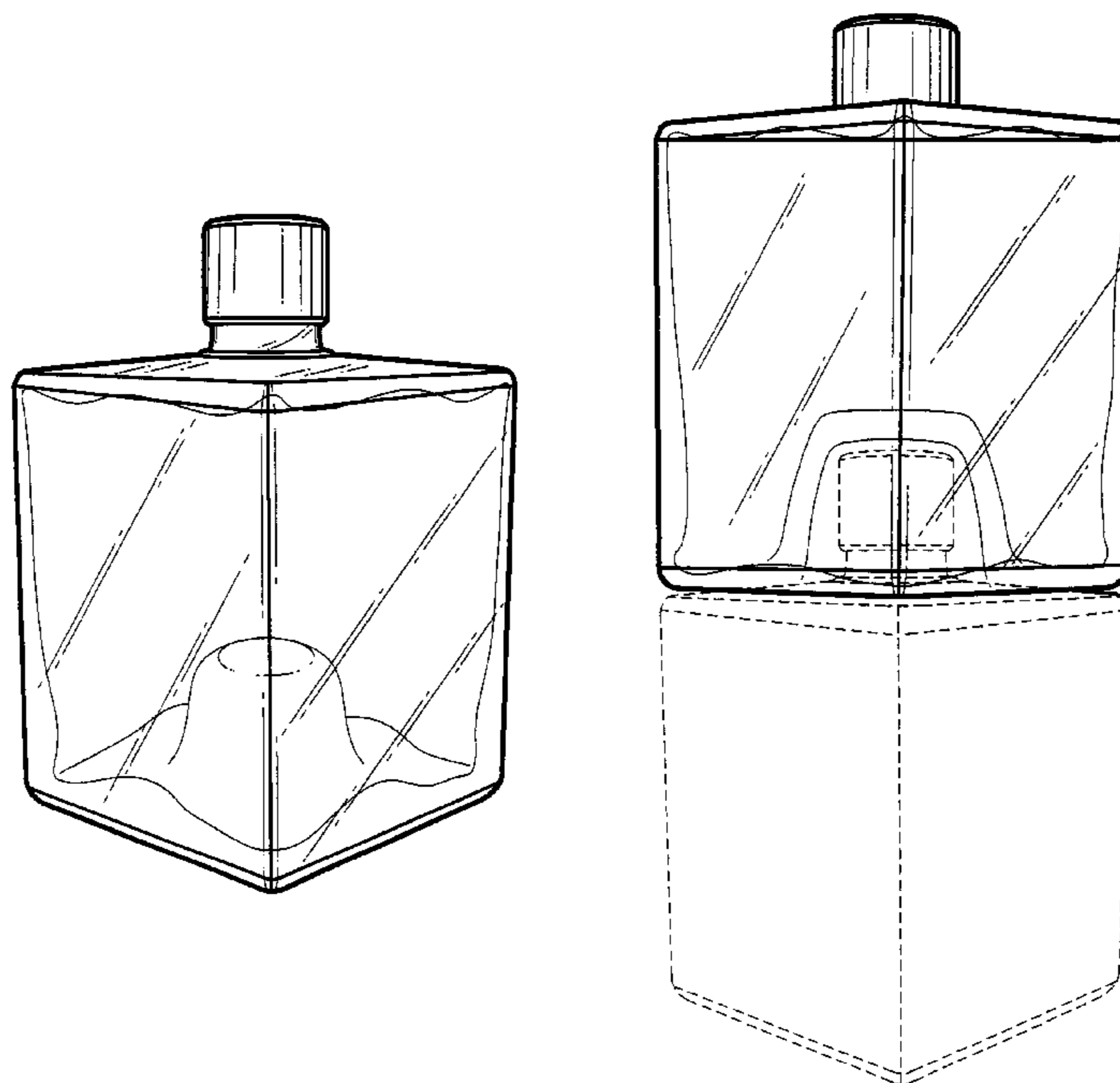
The ornamental design for a liquid beverage container, as shown and described.

DESCRIPTION

FIG. 1 is a front elevational view of the liquid beverage container of the invention;
 FIG. 2 is a left side elevational view of the container;
 FIG. 3 is a bottom view of the container;
 FIG. 4 is a top view of the container;
 FIG. 5 is a perspective view of the container; and,
 FIG. 6 is a perspective view of two stacked liquid beverage containers, each showing my new design, with the additional liquid beverage container being shown in broken lines for illustrative purposes only since the stack itself forms no part of the claimed design.

The liquid beverage container of the invention is formed from transparent material.

1 Claim, 4 Drawing Sheets



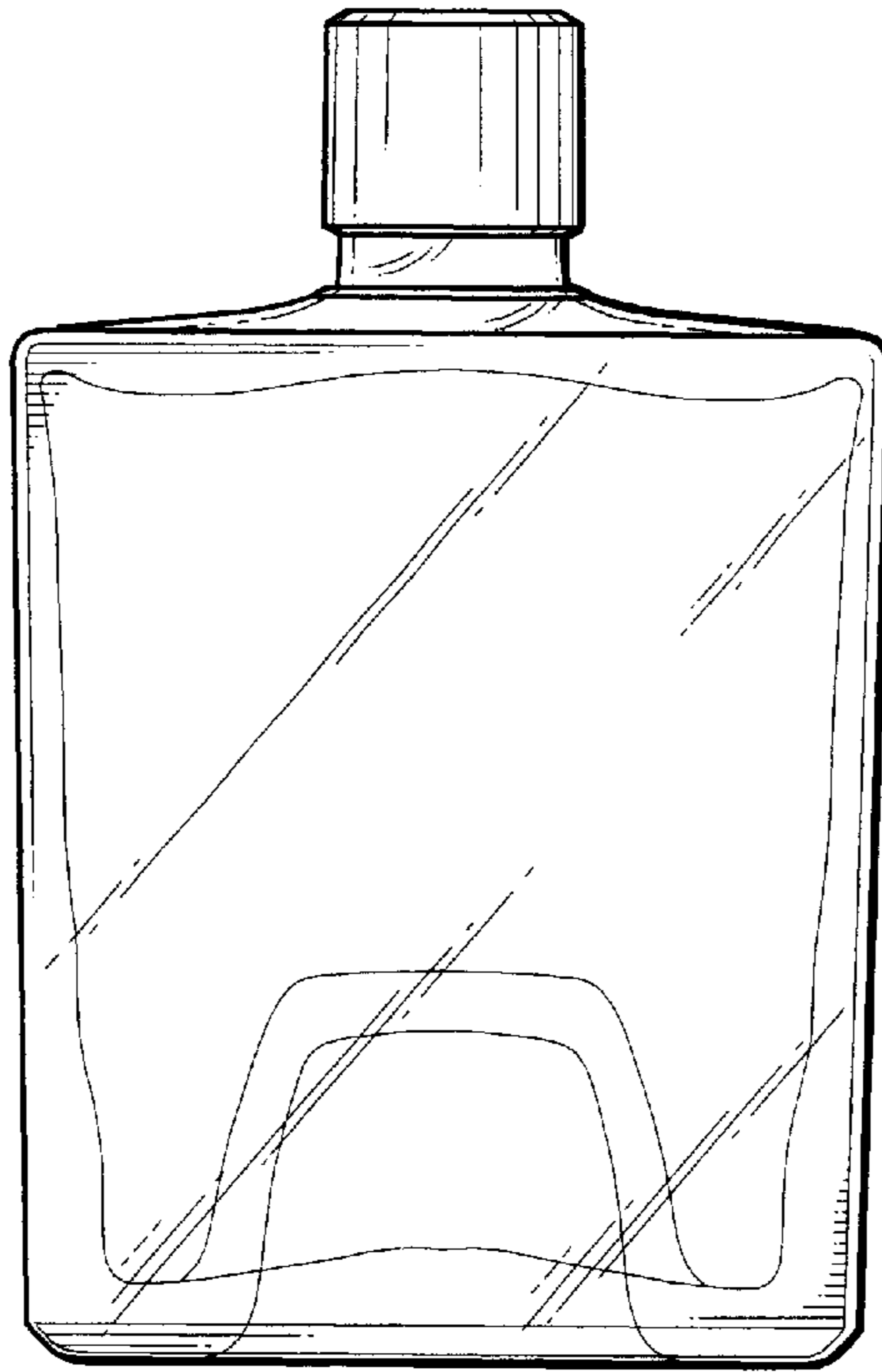


FIG. 1

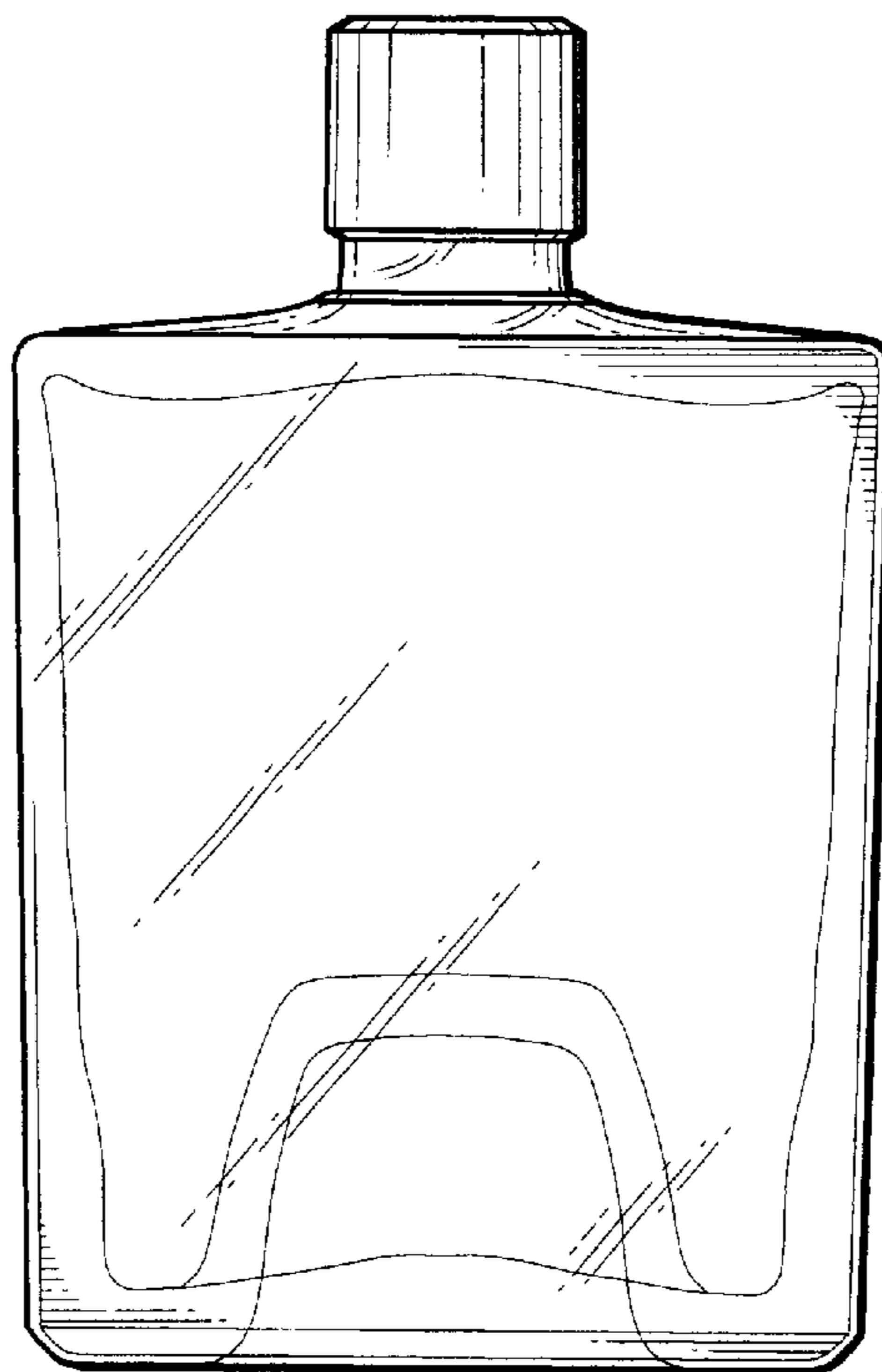


FIG. 2

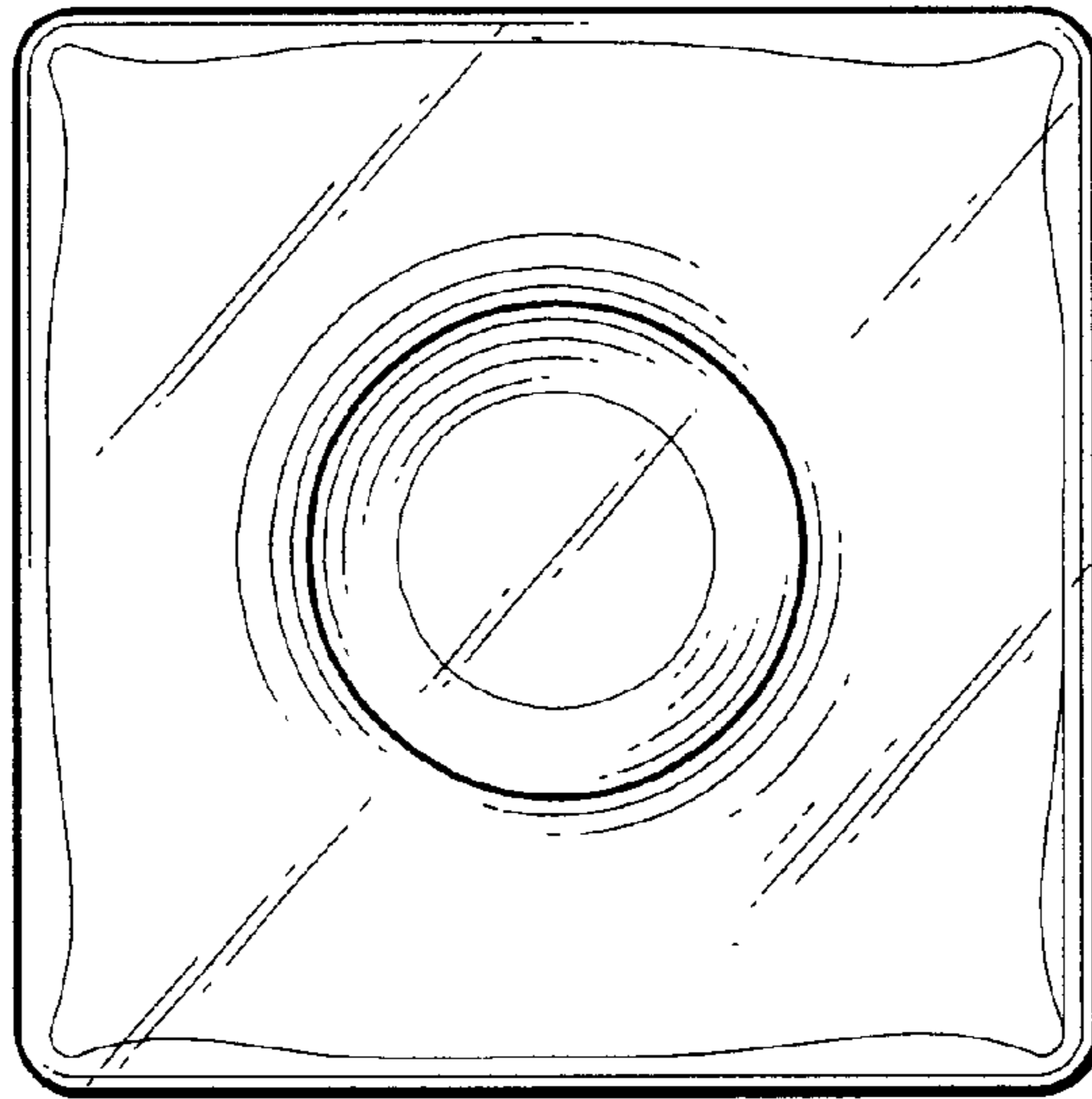


FIG. 3

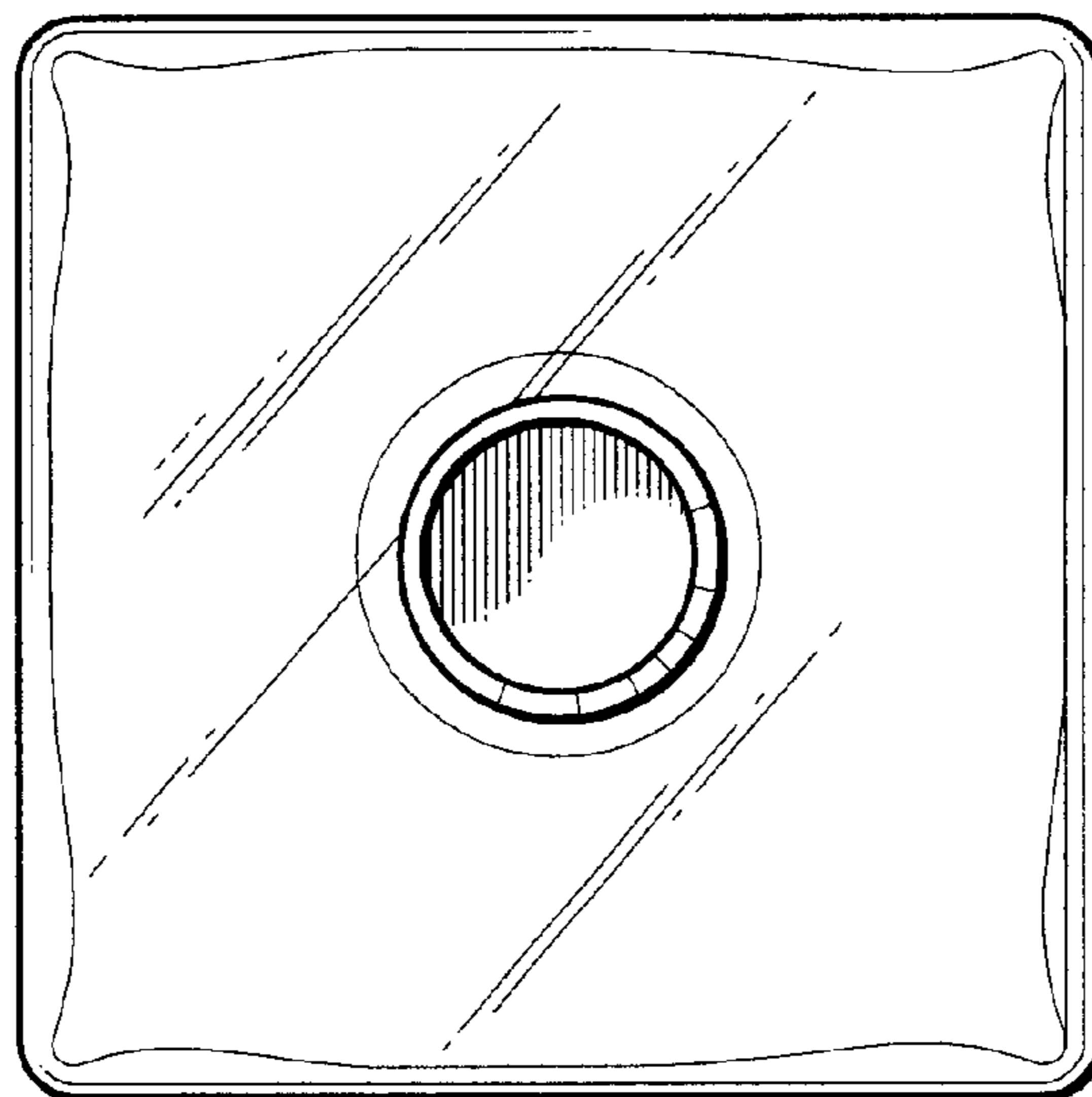


FIG. 4

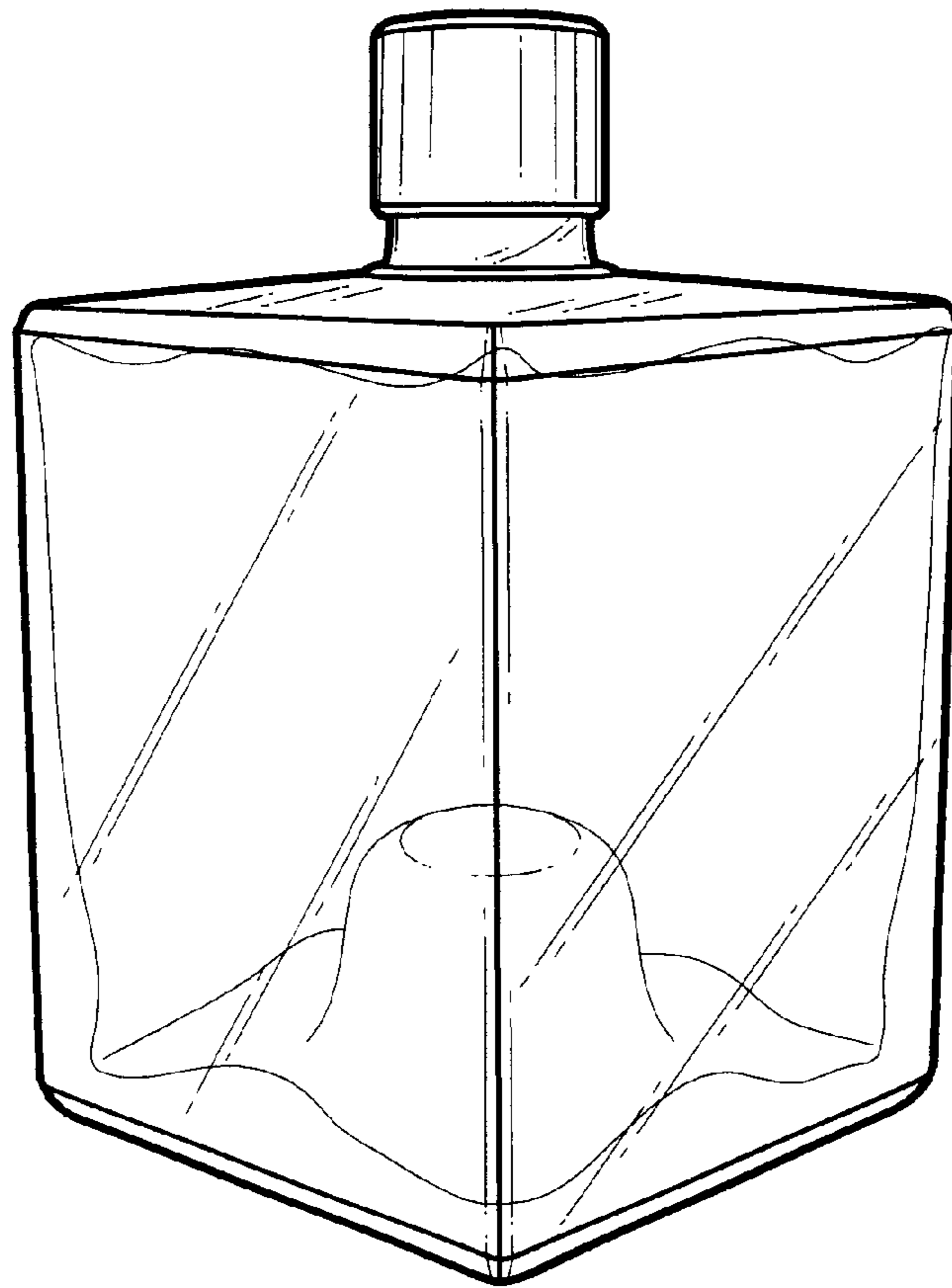


FIG. 5

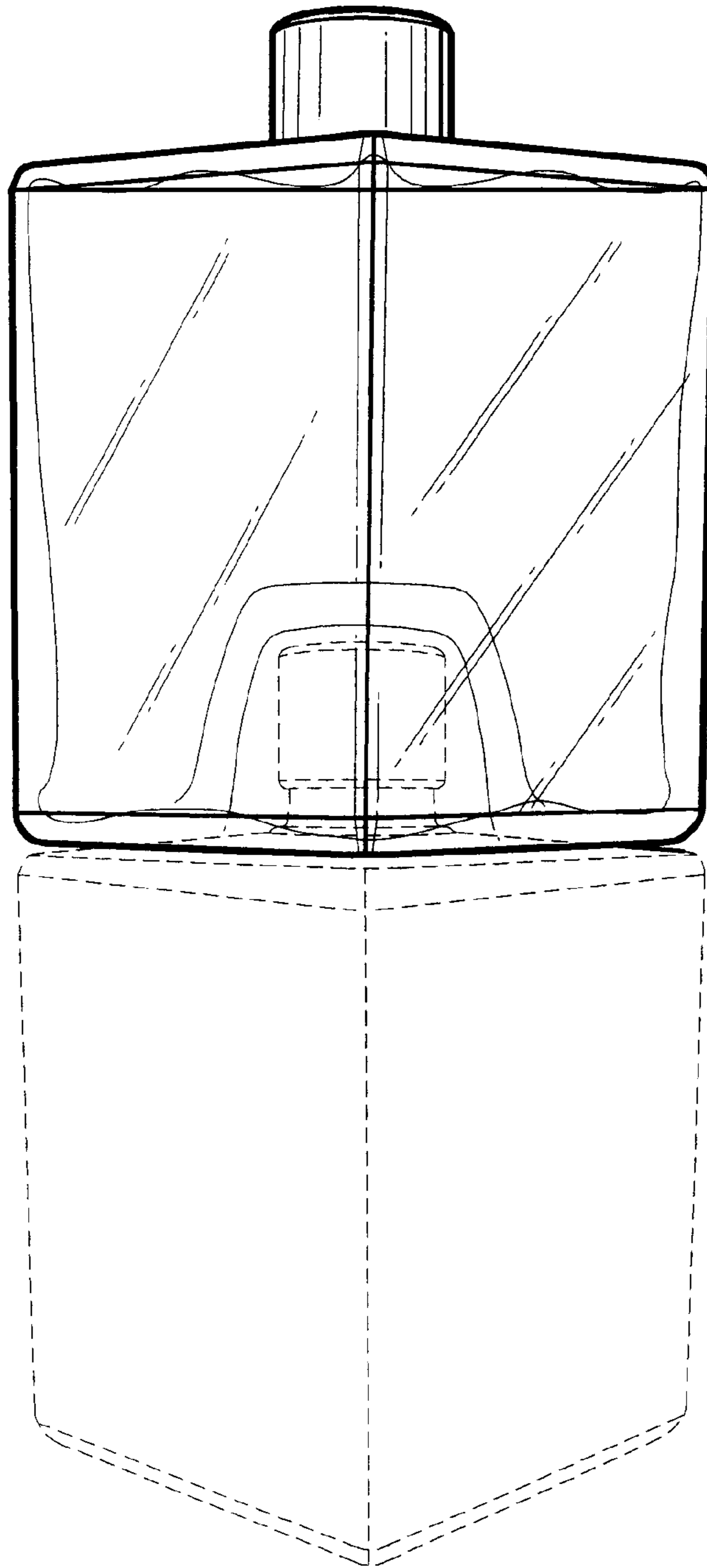


FIG. 6