



US00D515939S

(12) **United States Design Patent**
Al Sanea

(10) **Patent No.:** **US D515,939 S**

(45) **Date of Patent:** **** Feb. 28, 2006**

(54) **CONTAINER**

(76) **Inventor:** **Abdullah A. Al Sanea**, P.O. Box
60290, Dammam (SA), 31545

(**) **Term:** **14 Years**

(21) **Appl. No.:** **29/210,428**

(22) **Filed:** **Jul. 30, 2004**

(51) **LOC (8) Cl.** **09-03**

(52) **U.S. Cl.** **D9/737**

(58) **Field of Classification Search** D9/737,
D9/759, 756, 761, 414, 418, 420, 423-425,
D9/430-432; D24/227, 229; D7/550.1, 555,
D7/553.1, 629, 553.2, 505, 553.3, 549; 206/509,
206/557, 561, 564; 220/916

See application file for complete search history.

(56) **References Cited**

U.S. PATENT DOCUMENTS

- 4,440,303 A * 4/1984 Seager 206/509
- D273,928 S * 5/1984 Tarozzi D7/553.3
- D384,554 S * 10/1997 Ancona et al. D7/505
- D395,985 S * 7/1998 Krupa et al. D7/629
- D440,118 S * 4/2001 Claffy et al. D7/553.1
- D444,058 S * 6/2001 Hampshire et al. D9/761
- D467,796 S * 12/2002 Brown D9/761

- D472,273 S * 3/2003 Haugen D20/19
- D480,929 S * 10/2003 Douglas D7/629
- D489,579 S * 5/2004 Wright D7/629
- D492,195 S * 6/2004 Shabaz D9/737
- D494,857 S * 8/2004 Chen et al. D9/424
- D500,674 S * 1/2005 Chou D9/737

* cited by examiner

Primary Examiner—Stella Reid

Assistant Examiner—Mark A. Goodwin

(74) *Attorney, Agent, or Firm*—Clayton, Howarth &
Cannon, P.C.

(57) **CLAIM**

What is claimed is the ornamental design for a container, as
shown and described.

DESCRIPTION

FIG. 1 is a perspective view of a container showing my new
design;

FIG. 2 is a top plan view thereof;

FIG. 3 is a bottom plan view thereof;

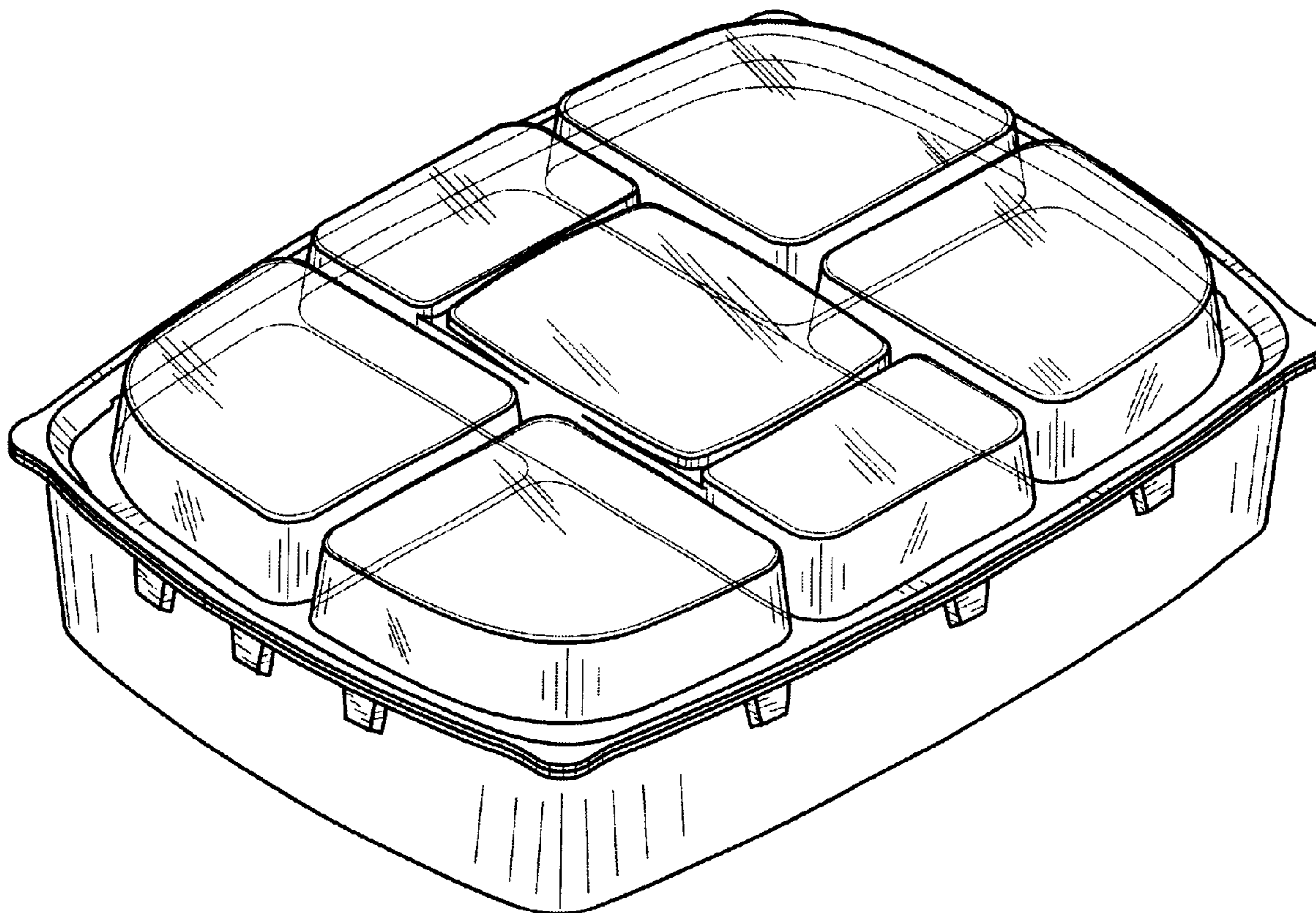
FIG. 4 is a side view thereof;

FIG. 5 is an opposite side view thereof;

FIG. 6 is an end view thereof; and,

FIG. 7 is an opposite end view thereof.

1 Claim, 3 Drawing Sheets



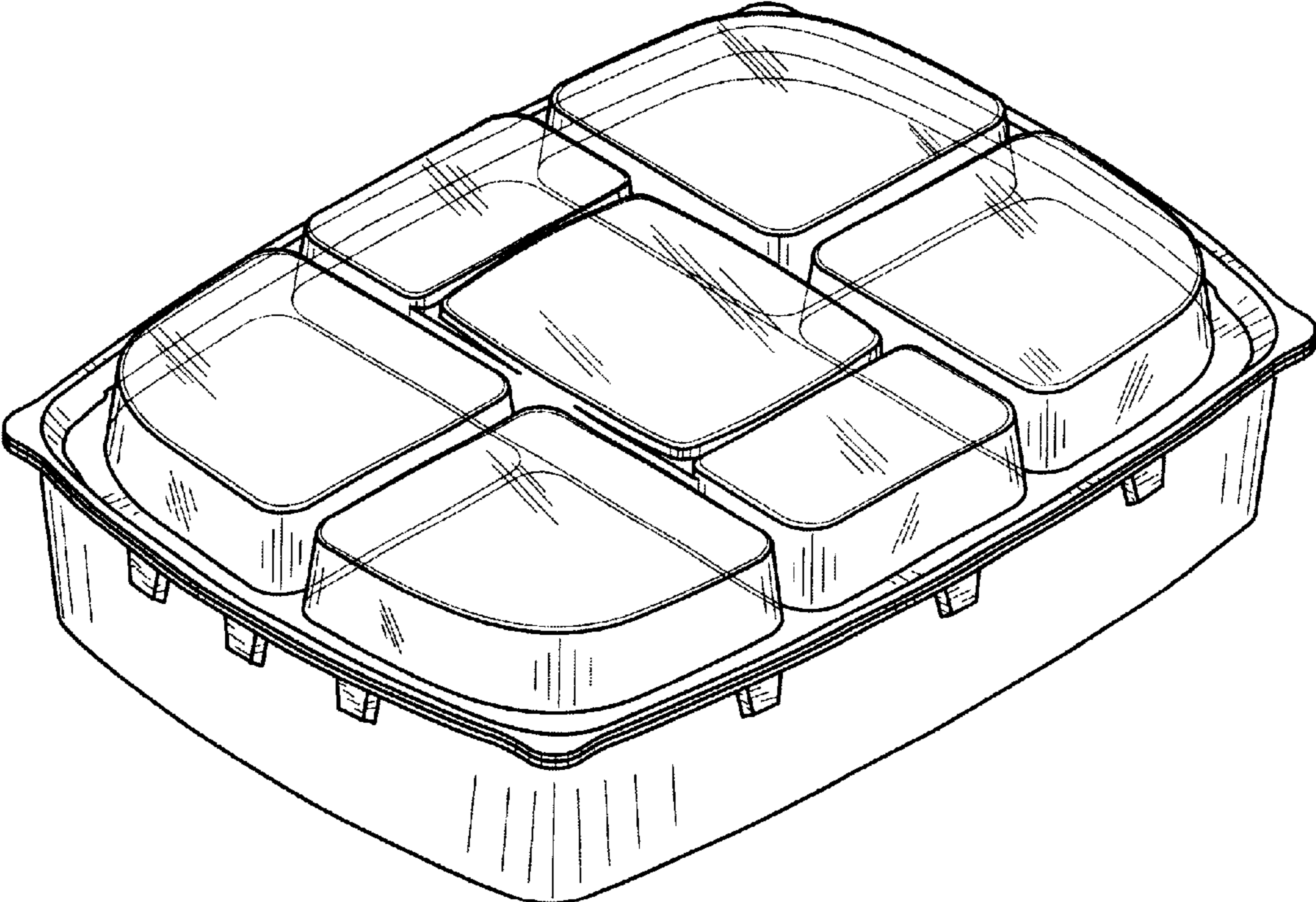


FIG. 1

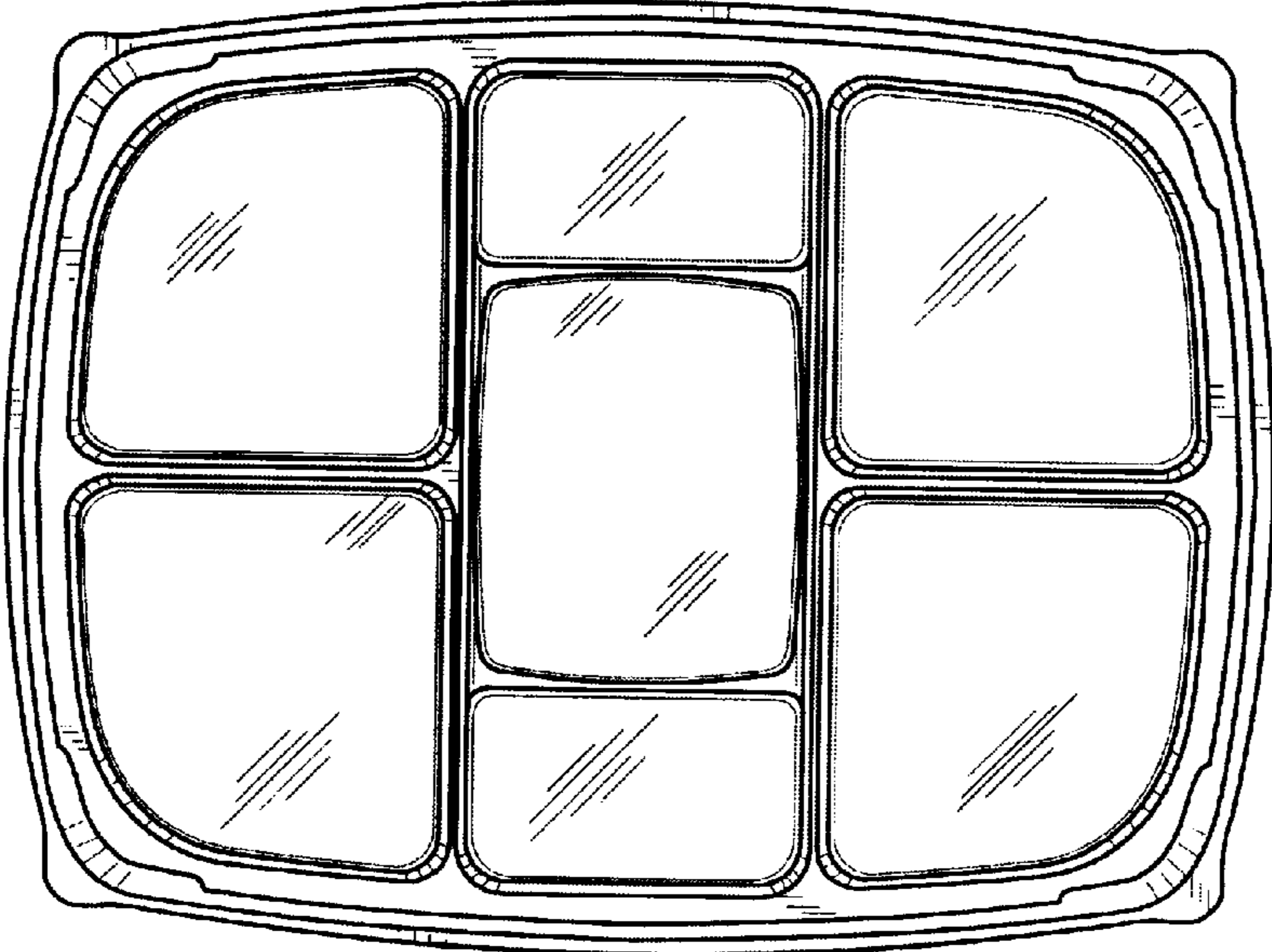


FIG. 2

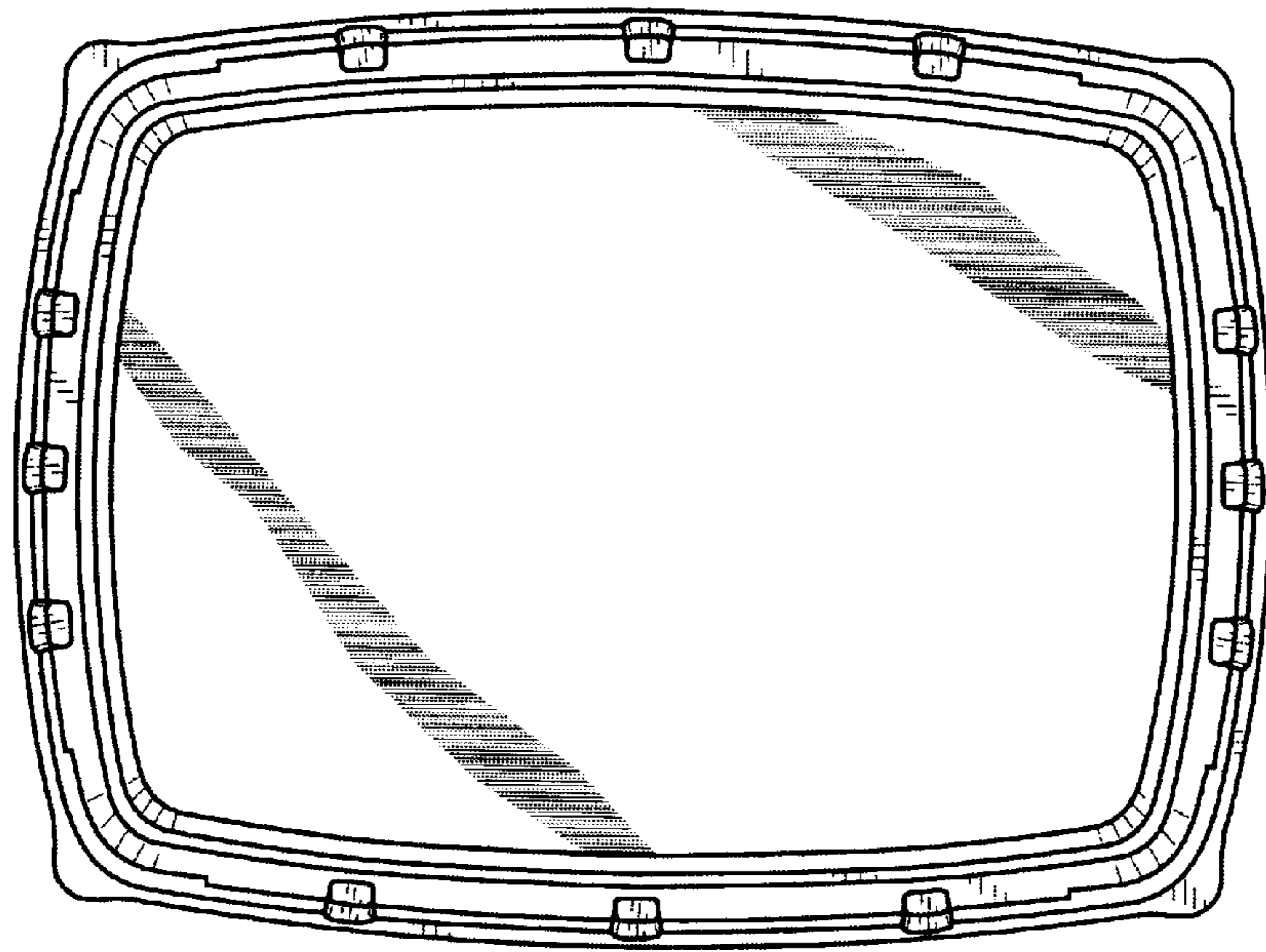


FIG. 3

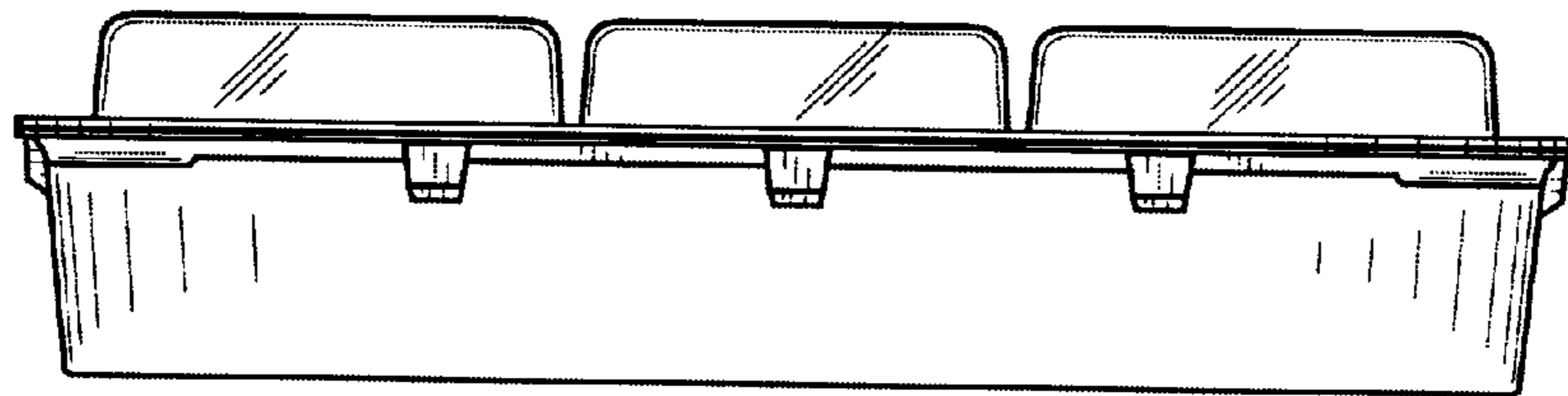


FIG. 4

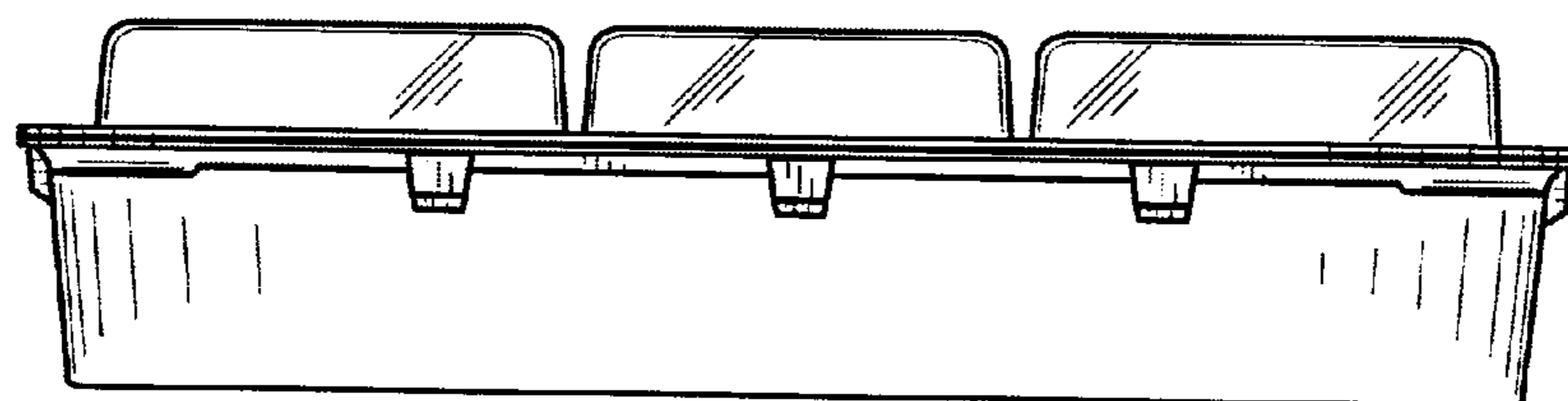


FIG. 5

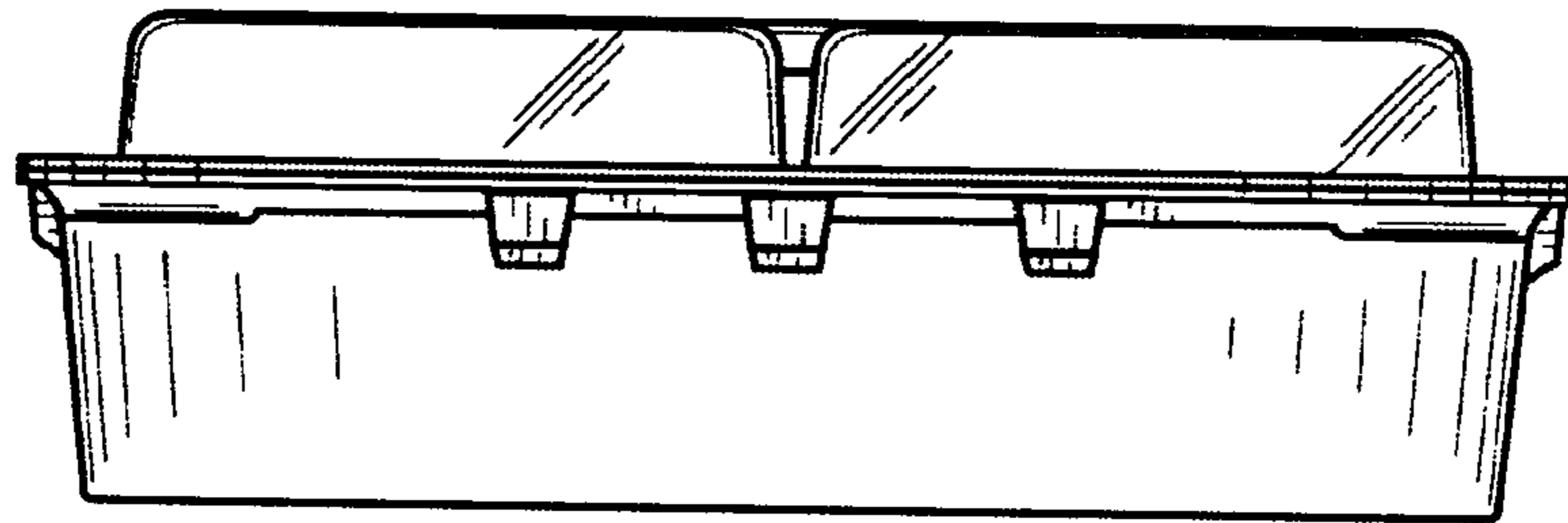


FIG. 6

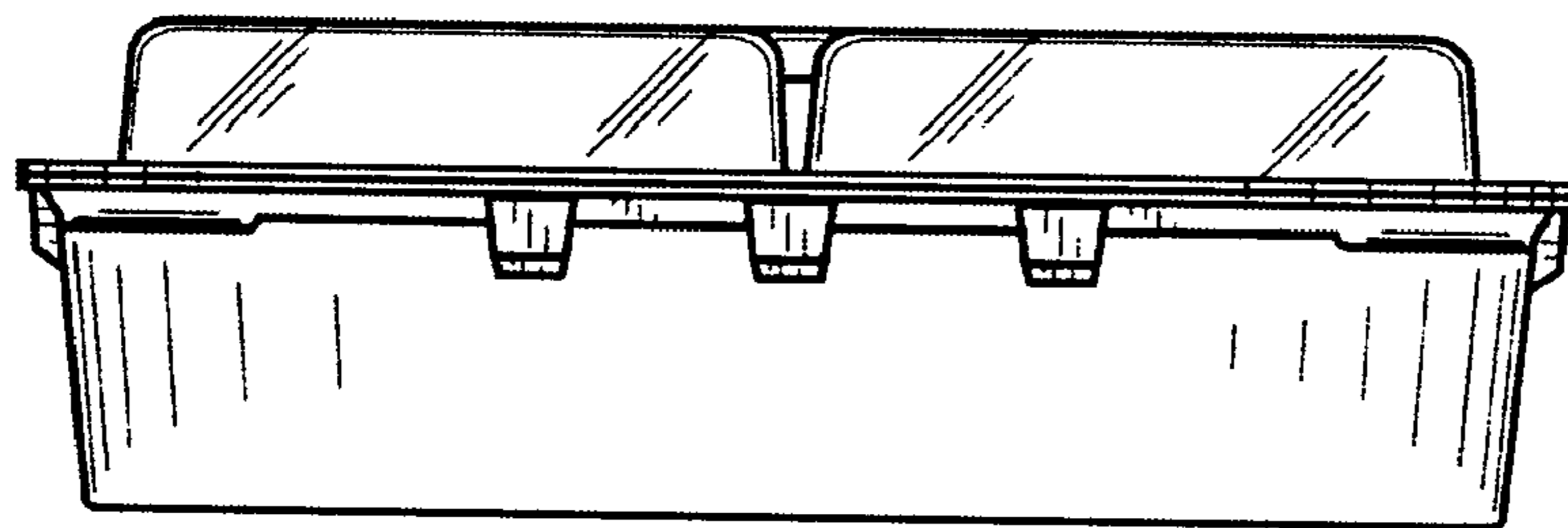


FIG. 7