



US00D515932S

(12) **United States Design Patent**  
**Sinclair et al.**

(10) **Patent No.:** **US D515,932 S**

(45) **Date of Patent:** **\*\* Feb. 28, 2006**

(54) **BOTTLE**

(75) **Inventors:** **Christopher Sinclair**, Bradenton, FL (US); **Sheldon E. Yourist**, York, PA (US)

(73) **Assignee:** **Tropicana Products, Inc.**, Bradenton, FL (US)

(\*\*) **Term:** **14 Years**

(21) **Appl. No.:** **29/181,787**

(22) **Filed:** **May 15, 2003**

(51) **LOC (8) Cl.** ..... **09-01**

(52) **U.S. Cl.** ..... **D9/527; D9/528**

(58) **Field of Classification Search** ..... D9/516, D9/520, 523, 527, 528, 530-532, 536, 543, D9/572, 575; D7/300, 302, 619.1; 206/509; 215/370-375, 382-385, 396, 398; 220/669-772  
See application file for complete search history.

(56) **References Cited**

**U.S. PATENT DOCUMENTS**

|             |   |         |             |       |         |
|-------------|---|---------|-------------|-------|---------|
| D212,410 S  | * | 10/1968 | Platte      | ..... | D9/531  |
| D213,763 S  | * | 4/1969  | Plummer     | ..... | D9/531  |
| D213,821 S  | * | 4/1969  | Platte      | ..... | D9/531  |
| D229,540 S  | * | 12/1973 | Anderson    | ..... | D9/531  |
| D229,670 S  | * | 12/1973 | Platte      | ..... | D9/531  |
| D265,797 S  | * | 8/1982  | Platte      | ..... | D9/520  |
| 4,372,455 A | * | 2/1983  | Cochran     | ..... | 215/385 |
| D332,747 S  | * | 1/1993  | Darr et al. | ..... | D9/520  |

|              |   |         |                 |       |         |
|--------------|---|---------|-----------------|-------|---------|
| D397,036 S   | * | 8/1998  | Katakouzinis    | ..... | D9/520  |
| 5,833,115 A  | * | 11/1998 | Eiten           | ..... | 220/669 |
| D415,035 S   | * | 10/1999 | Ankney et al.   | ..... | D9/531  |
| 6,527,133 B1 | * | 3/2003  | McCollum et al. | ..... | 215/382 |

\* cited by examiner

*Primary Examiner*—Nanda Bondade

*Assistant Examiner*—Shanda C. Hill

(74) *Attorney, Agent, or Firm*—Lars S. Johnson; James D. Ryndak

(57) **CLAIM**

The ornamental design for a bottle, as shown and described.

**DESCRIPTION**

FIG. 1 is a perspective view of a bottle showing our new design;

FIG. 2 is a side elevational view thereof, the opposite side view being a mirror image thereof;

FIG. 3 is a rear elevational view thereof;

FIG. 4 is a front elevational view thereof;

FIG. 5 is a top plan view thereof;

FIG. 6 is a bottom plan view thereof;

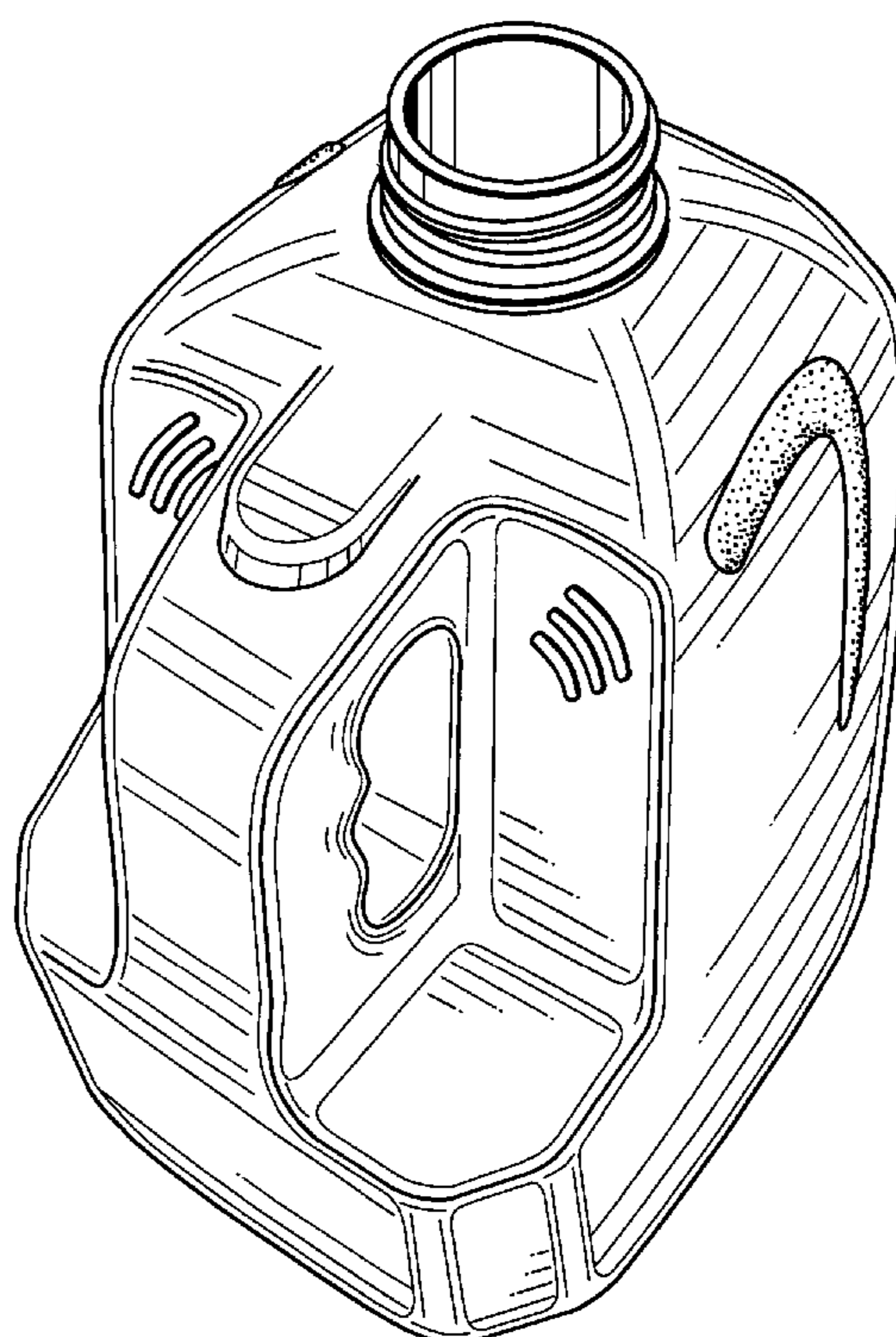
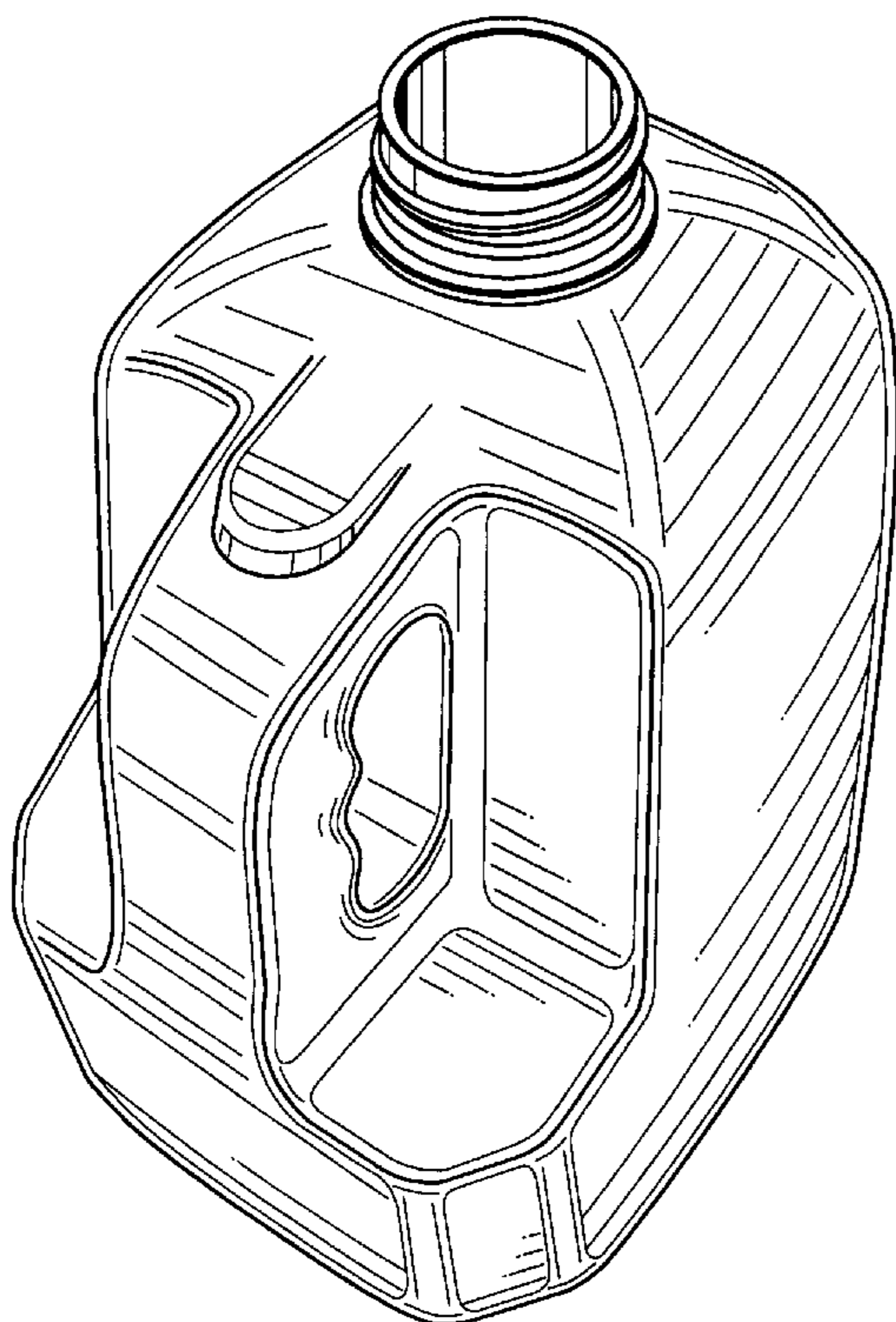
FIG. 7 is a perspective view of a second embodiment of the bottle;

FIG. 8 is a side elevational view thereof, the opposite side view being a mirror image thereof;

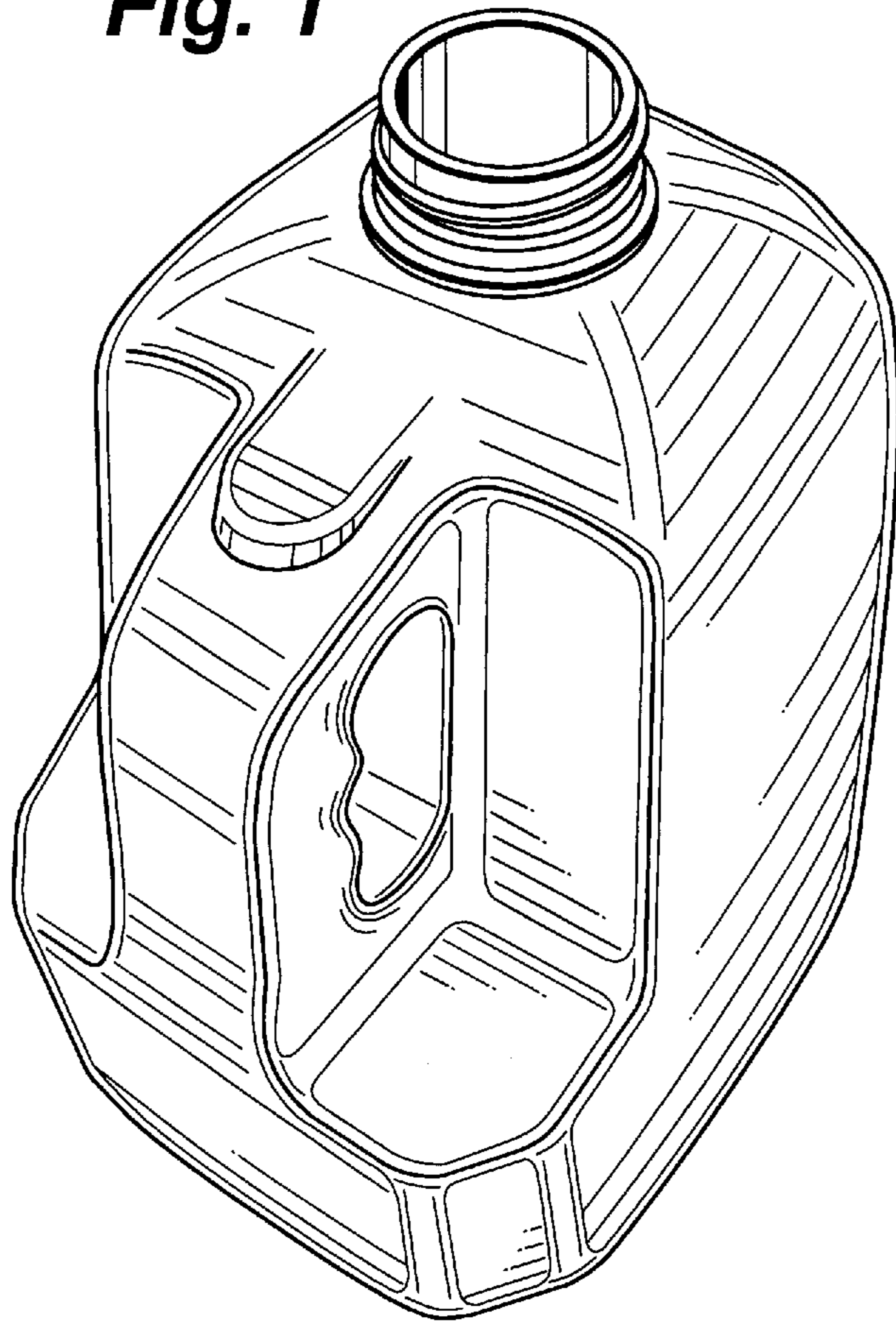
FIG. 9 is rear elevational view thereof; and,

FIG. 10 is front elevational view thereof.

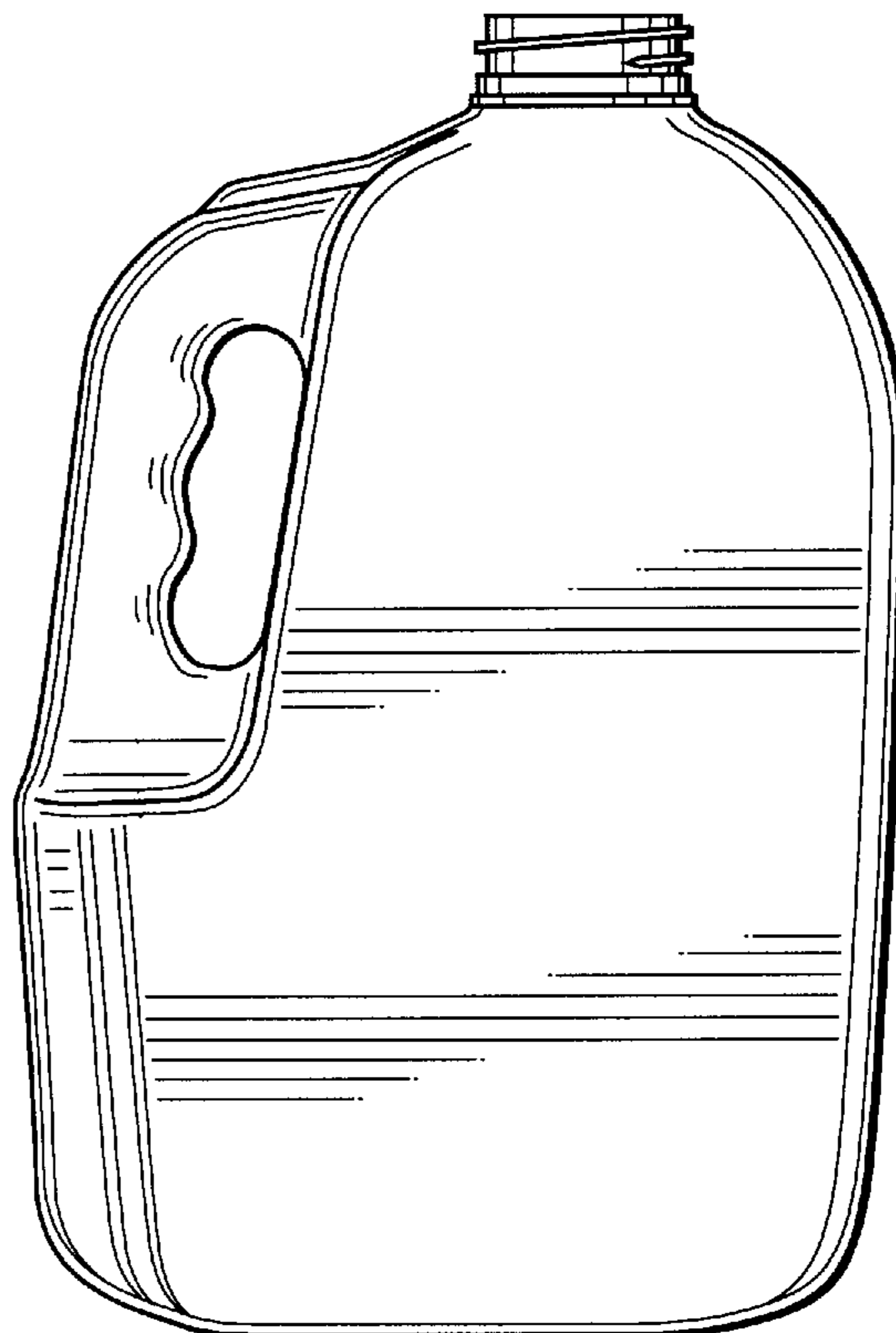
**1 Claim, 5 Drawing Sheets**



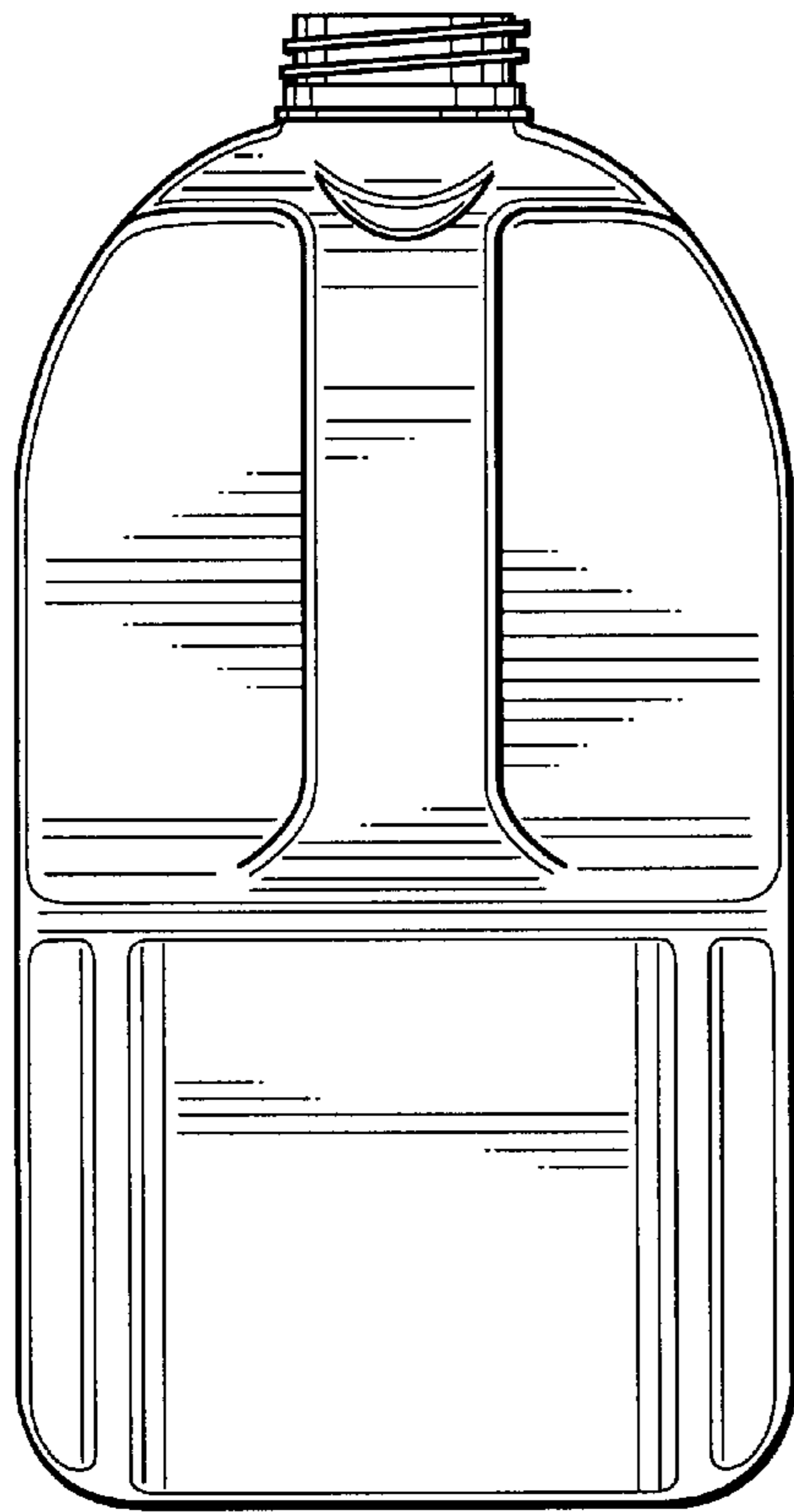
**Fig. 1**



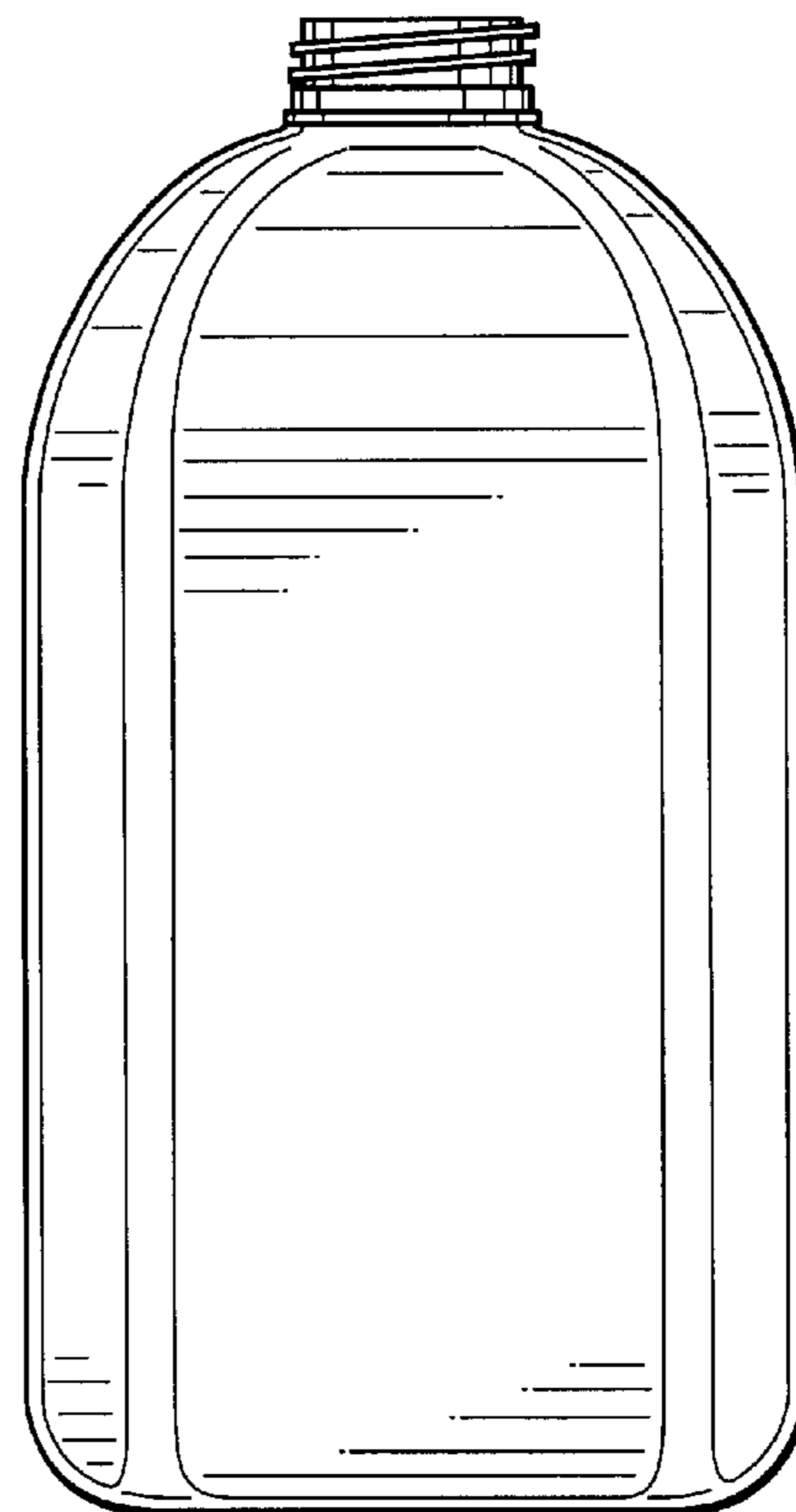
**Fig. 2**



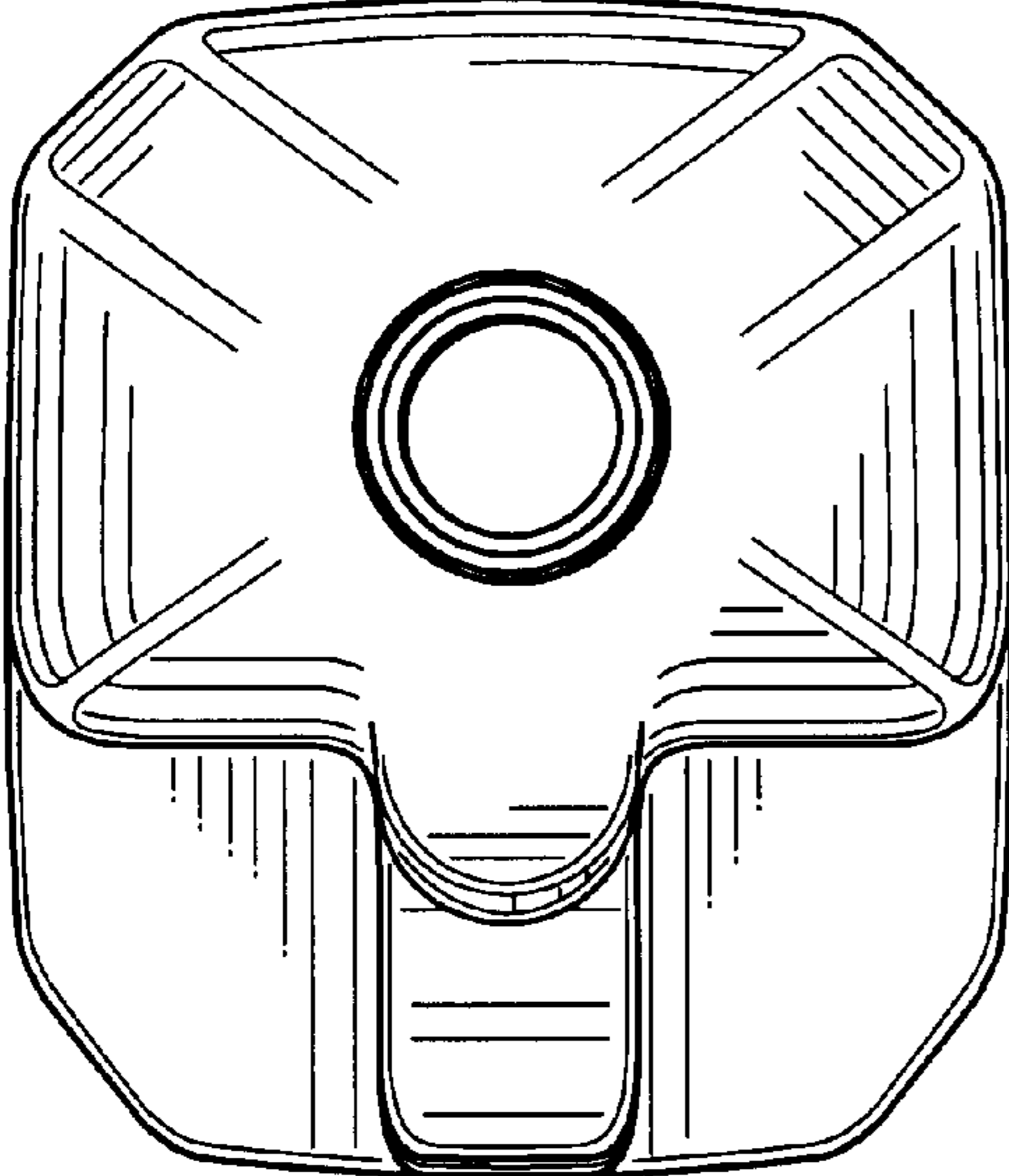
**Fig. 3**



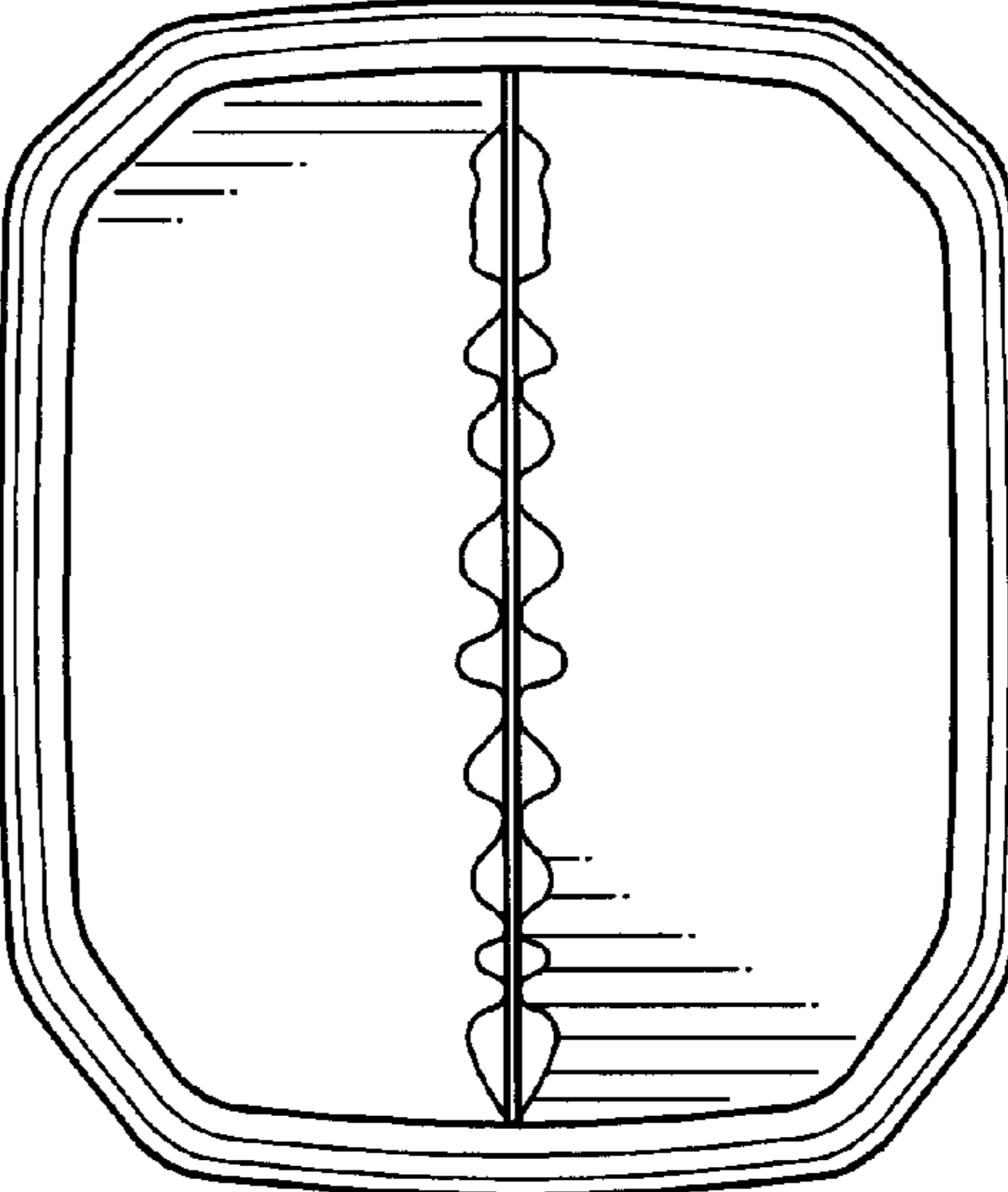
**Fig. 4**



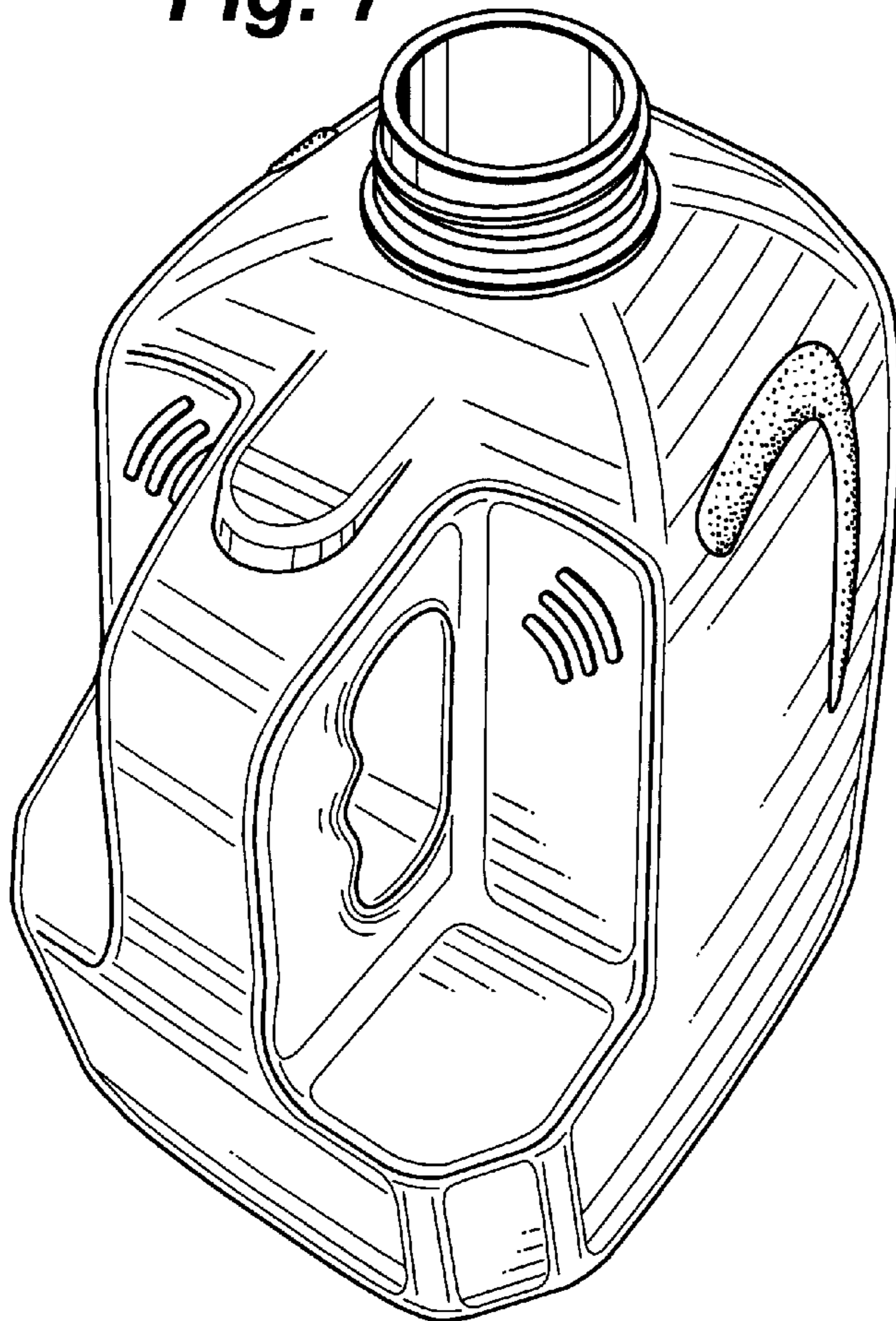
**Fig. 5**



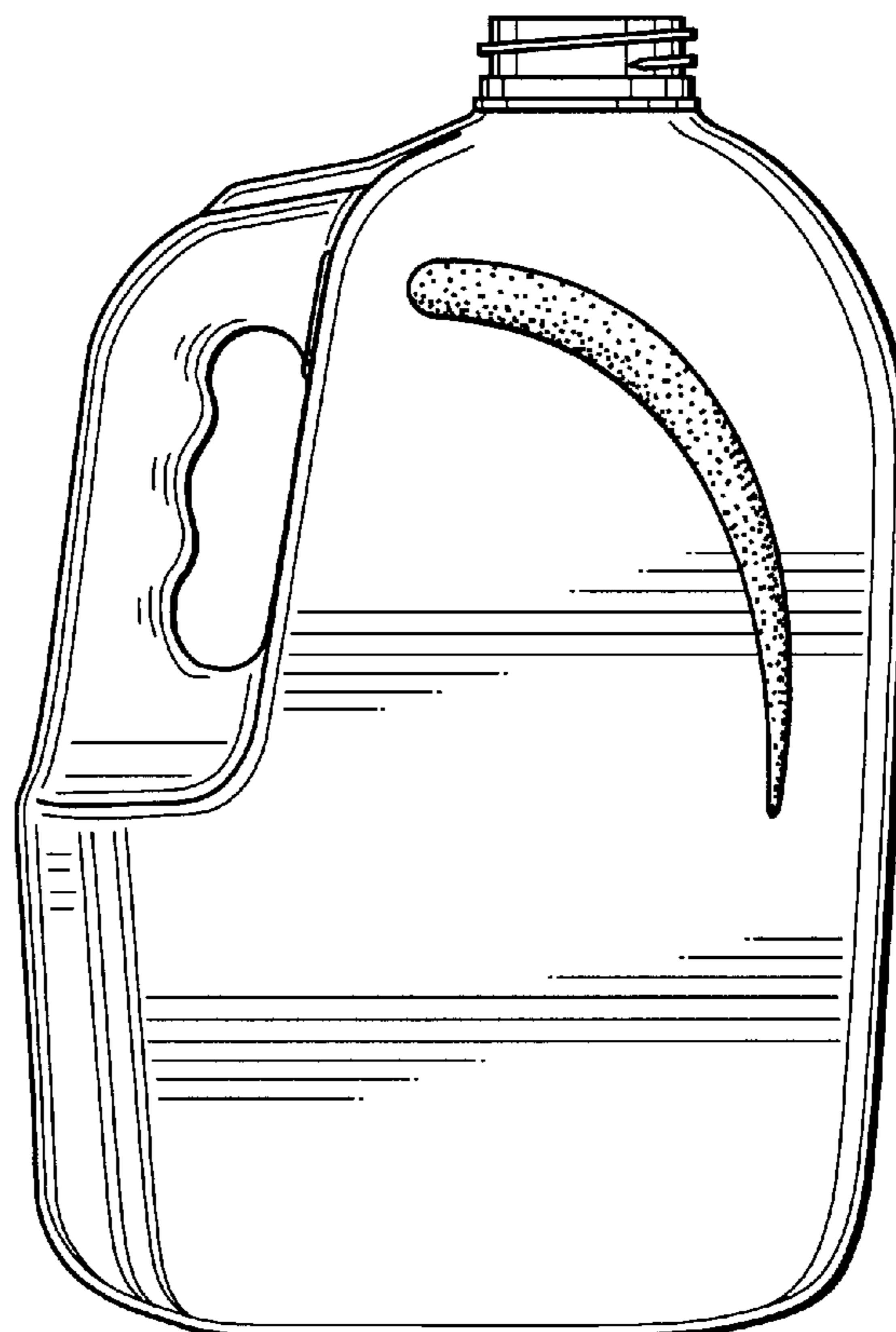
**Fig. 6**



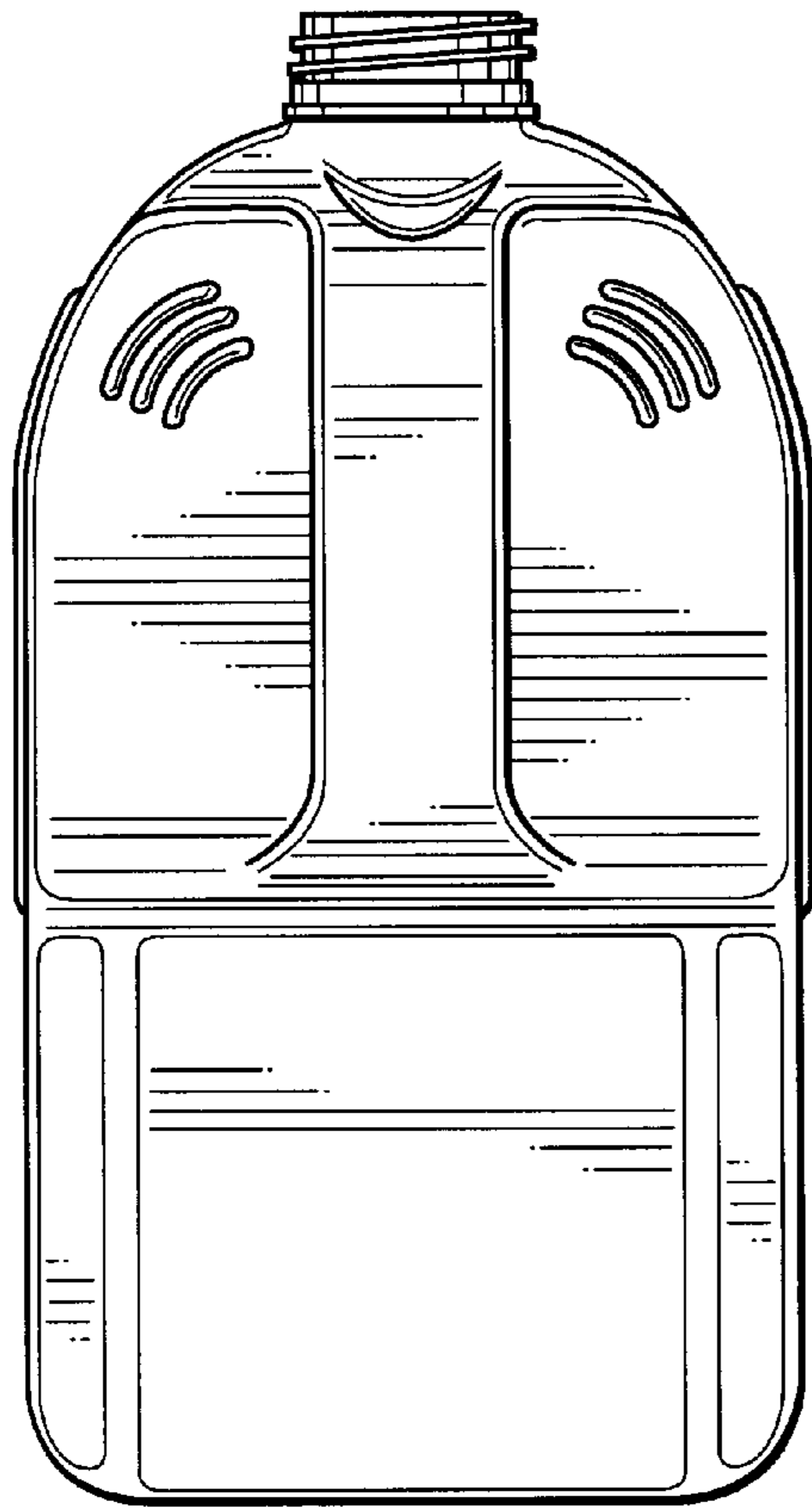
**Fig. 7**



**Fig. 8**



**Fig. 9**



**Fig. 10**

