



US00D515921S

(12) **United States Design Patent**
Marroncles

(10) **Patent No.:** **US D515,921 S**
(45) **Date of Patent:** **** Feb. 28, 2006**

(54) **SPRAY CAP**

(75) Inventor: **Alain Marroncles**, Saint Maur des Fosses (FR)

(73) Assignee: **Lindal Ventil GmbH**, Oldesloe (DE)

(**) Term: **14 Years**

(21) Appl. No.: **29/196,332**

(22) Filed: **Dec. 24, 2003**

(30) **Foreign Application Priority Data**

Jul. 5, 2003 (DE) 4 03 04 579

(51) **LOC (8) Cl.** **09-07**

(52) **U.S. Cl.** **D9/449**

(58) **Field of Classification Search** D9/690,
D9/691, 446, 448, 434, 435, 445, 447, 449,
D9/454; 222/402.1, 402.13, 402.14, 546,
222/153

See application file for complete search history.

(56) **References Cited**

U.S. PATENT DOCUMENTS

- D314,917 S * 2/1991 Thompson D9/448
- D318,231 S * 7/1991 Lay et al. D9/435
- D379,433 S * 5/1997 Croft D9/445
- D405,693 S * 2/1999 Bretz et al. D9/447
- D409,088 S * 5/1999 de Maillard et al. D9/448
- D419,878 S * 2/2000 Kerr et al. D9/448

- D426,773 S * 6/2000 Warner et al. D9/449
- D436,040 S * 1/2001 Warner et al. D9/449
- D463,744 S * 10/2002 Brozell D9/449
- D491,064 S * 6/2004 Miller et al. D9/448
- D492,597 S * 7/2004 Norris et al. D9/449

FOREIGN PATENT DOCUMENTS

- WO DM/048855 * 8/1999
- WO DM/056260 * 6/2001
- WO DM/060733 * 5/2002

* cited by examiner

Primary Examiner—Robert M. Spear
Assistant Examiner—Susan Bennett Hattan

(74) *Attorney, Agent, or Firm*—Vidas, Arrett & Steinkraus PA

(57) **CLAIM**

The ornamental design for spray cap, as shown and described.

DESCRIPTION

FIG. 1 is a rear view of the spray cap, showing my new design;
FIG. 2 is a right side view thereof;
FIG. 3 is a front view thereof;
FIG. 4 is a left side view thereof;
FIG. 5 is a top view thereof; and,
FIG. 6 is a bottom view thereof with unclaimed structure shown in phantom.

1 Claim, 6 Drawing Sheets

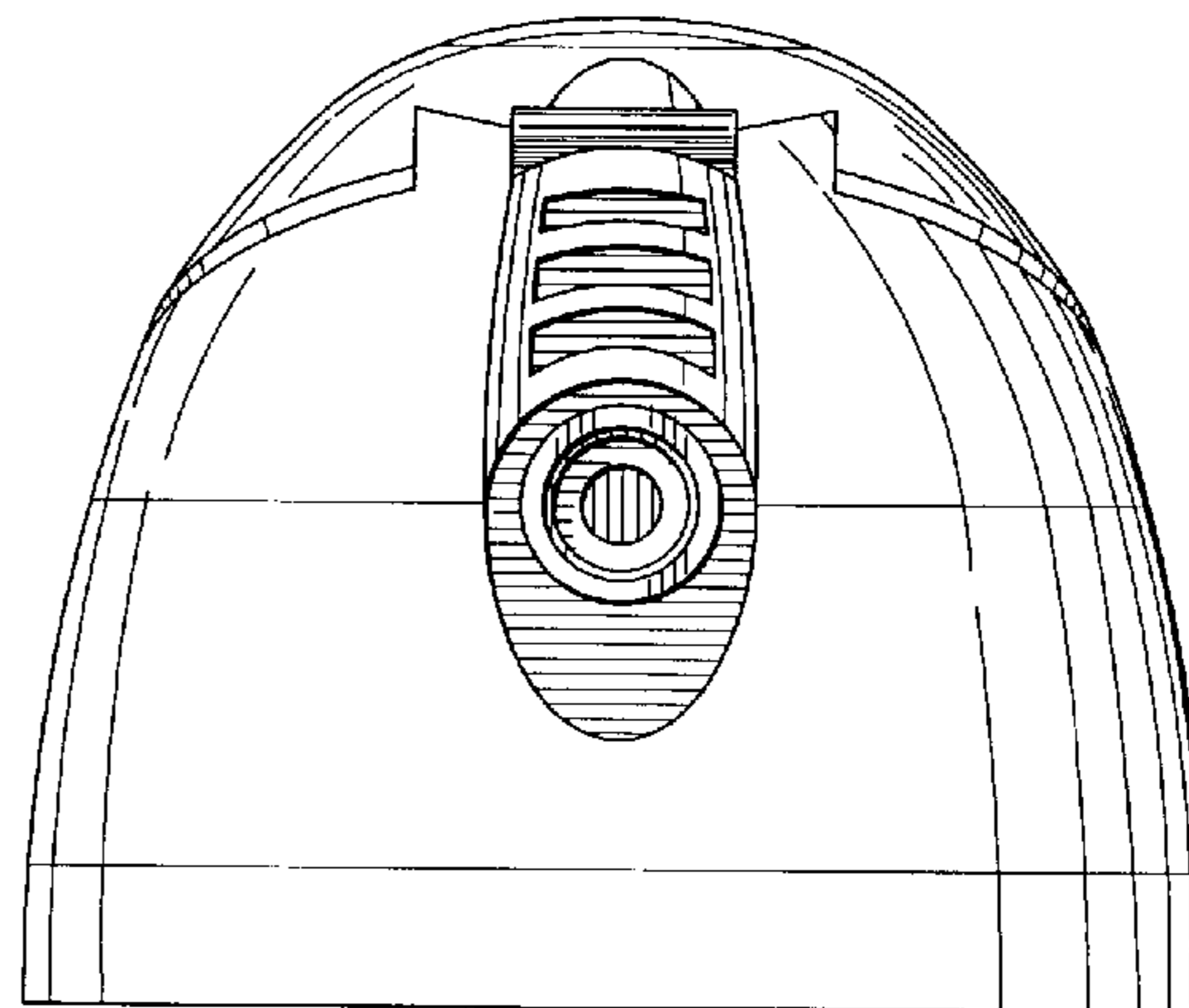
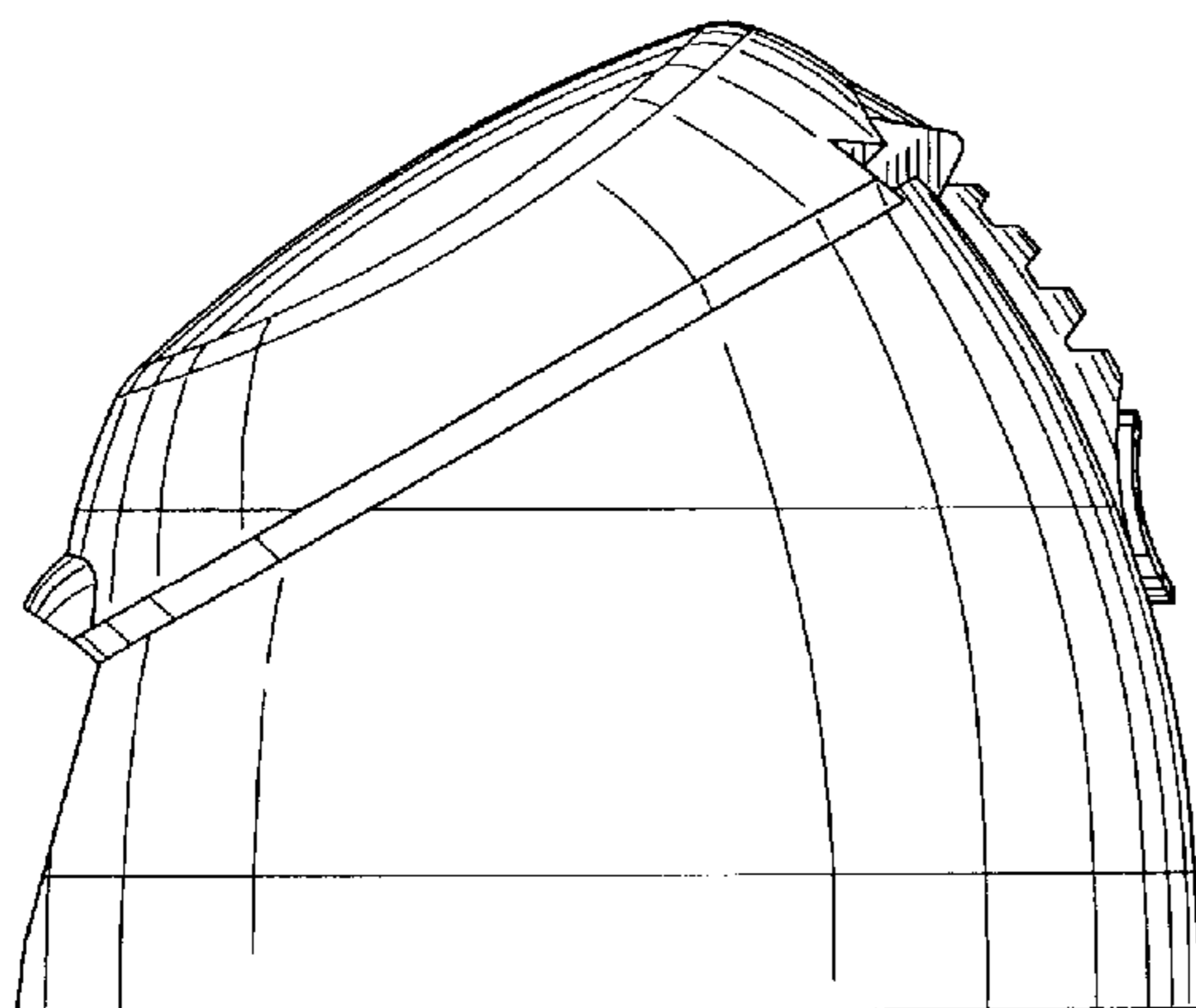


FIG. 1

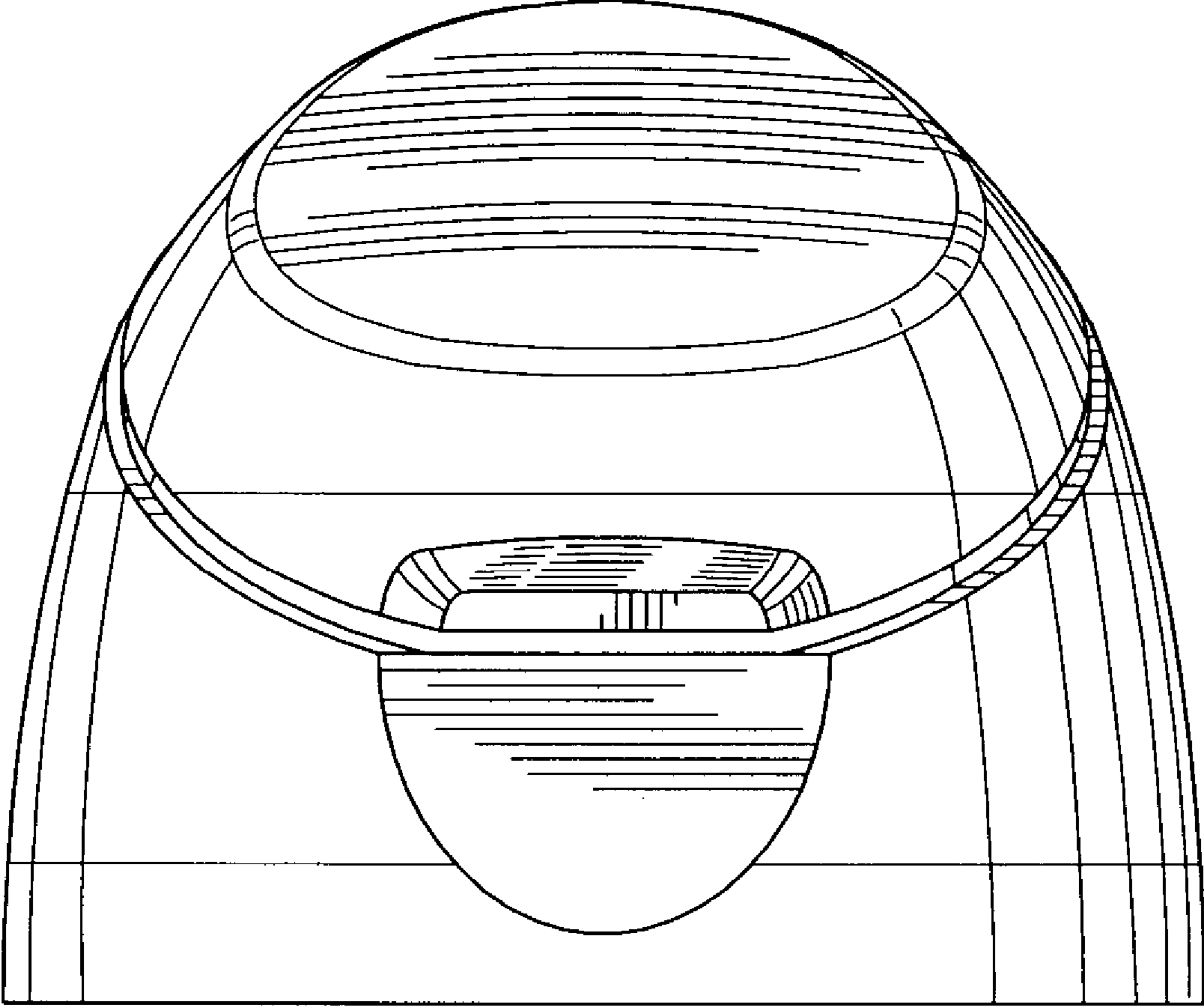


FIG. 2

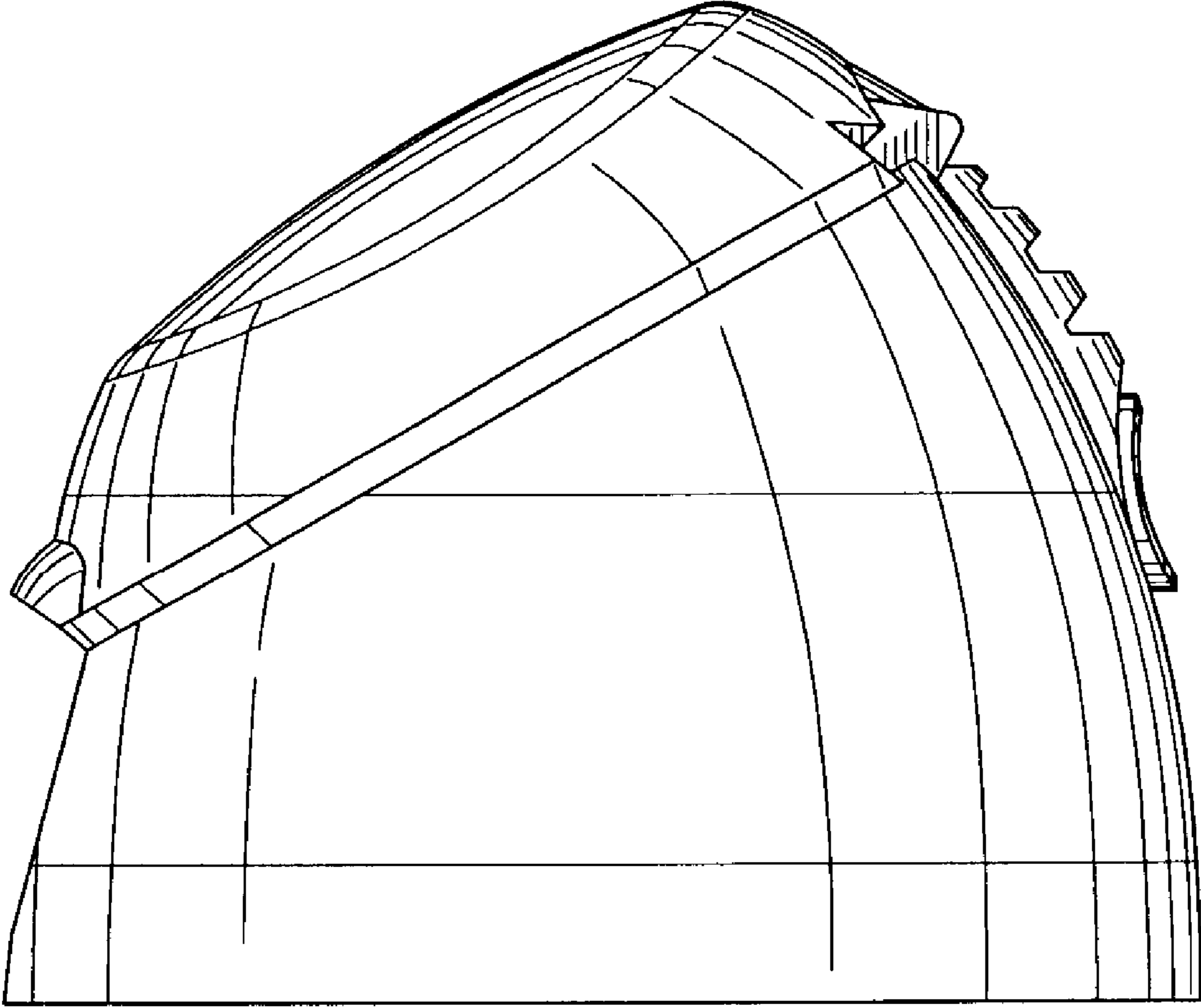


FIG. 3

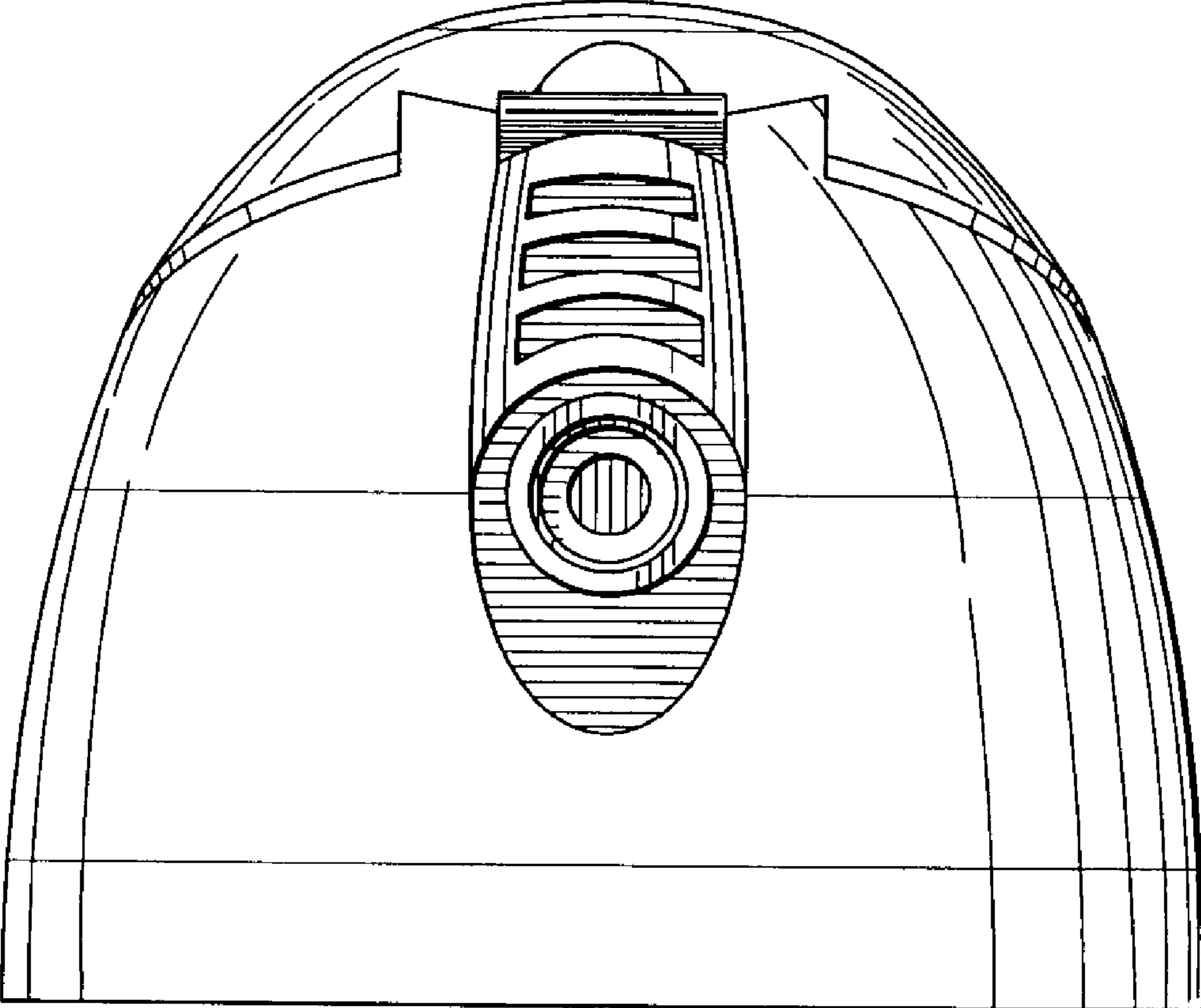


FIG. 4

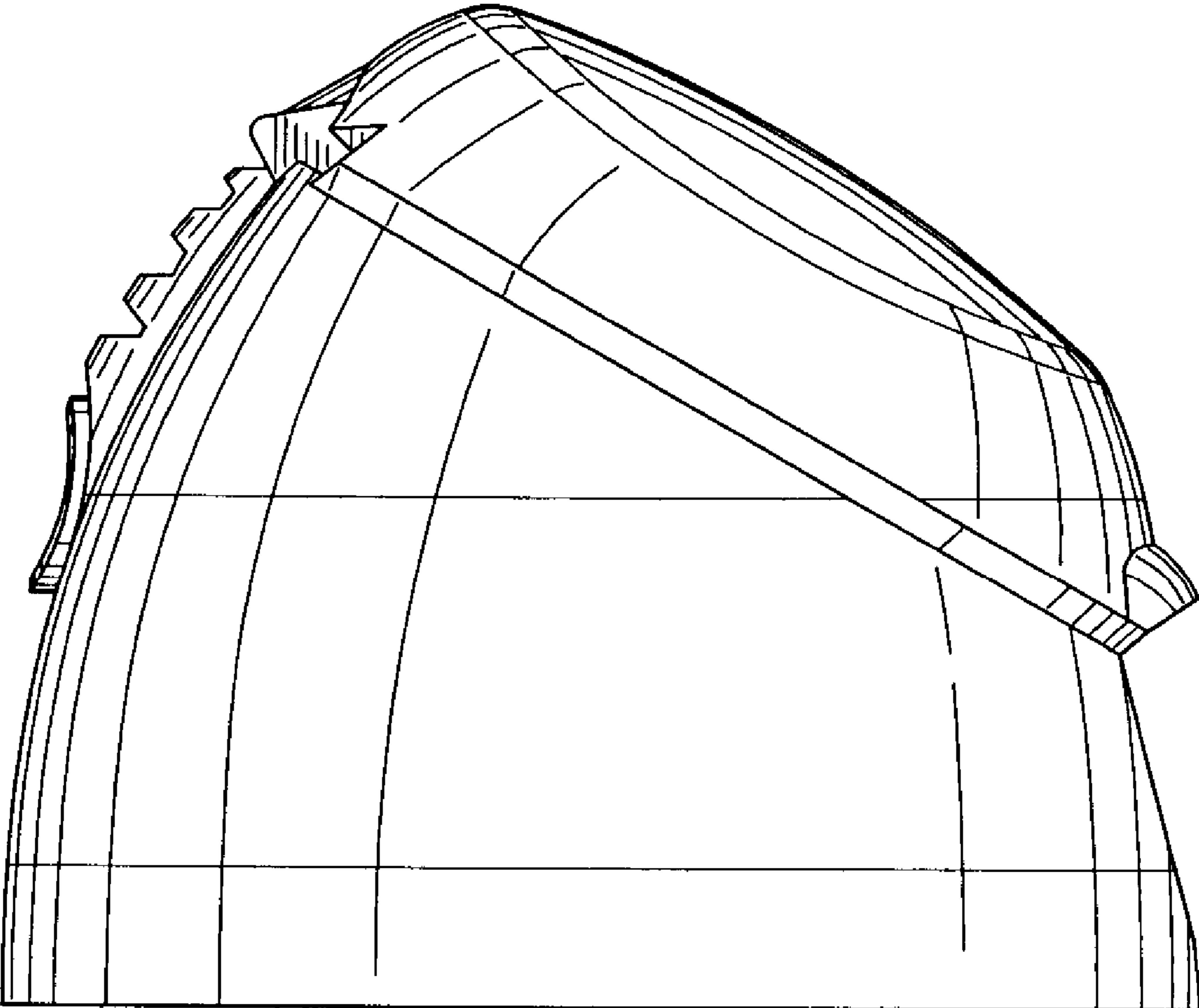


FIG. 5

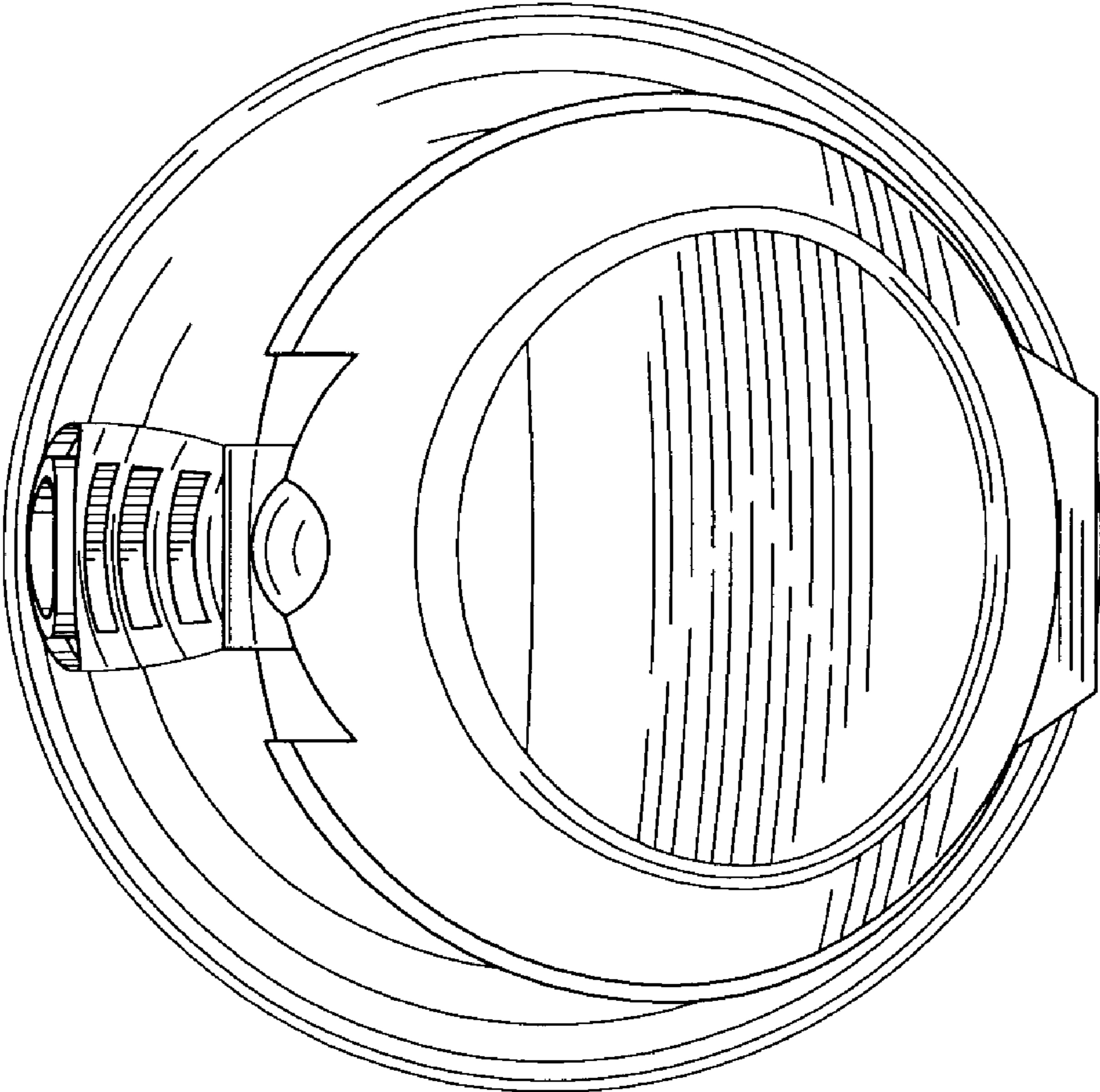


FIG. 6

