



US00D515920S

(12) **United States Design Patent**
Groh et al.

(10) **Patent No.:** **US D515,920 S**
(45) **Date of Patent:** **** Feb. 28, 2006**

(54) **HAND HELD PRODUCT DISPENSER**

2,879,925 A 3/1959 Remane
2,897,526 A 8/1959 Dootson

(75) Inventors: **David M. Groh**, Marshfield, MA (US);
John Howard Loudenslager, Phoenix,
AZ (US); **Jan R. Stillerman**, Phoenix,
AZ (US); **Marc Hunter**, Clayton, MO
(US)

(Continued)

FOREIGN PATENT DOCUMENTS

(73) Assignee: **The Gillette Company**, Boston, MA
(US)

EP	1 242 295	11/2004
FR	2.081.931	12/1971
GB	1 333 832	10/1973
JP	07 285586	10/1995
WO	WO 98/30469	7/1998

(**) Term: **14 Years**

Primary Examiner—Louis S. Zarfaz
Assistant Examiner—Susan Bennett-Hattan
(74) *Attorney, Agent, or Firm*—Fish & Richardson P.C.

(21) Appl. No.: **29/178,392**

(57) **CLAIM**

(22) Filed: **Mar. 25, 2003**

The ornamental design for a hand held product dispenser, as shown and described.

(51) **LOC (8) Cl.** **09-07**

(52) **U.S. Cl.** **D9/448**

(58) **Field of Classification Search** D9/300,
D9/302, 350, 435, 436, 440, 442, 445, 452,
D9/447–450, 454, 520, 503–505, 529, 537,
D9/542, 545, 550, 682, 688, 689; 222/402,
222/321; 215/11.1, 235; D24/197

See application file for complete search history.

DESCRIPTION

FIG. 1 is a front perspective view of a hand-held product dispenser;
FIG. 2 is a back side plan view thereof;
FIG. 3 is a front side plan view,
FIG. 4 is a left side plan view thereof;
FIG. 5 is a right side view thereof;
FIG. 6 is a top view thereof; and,
FIG. 7 is a bottom view thereof.

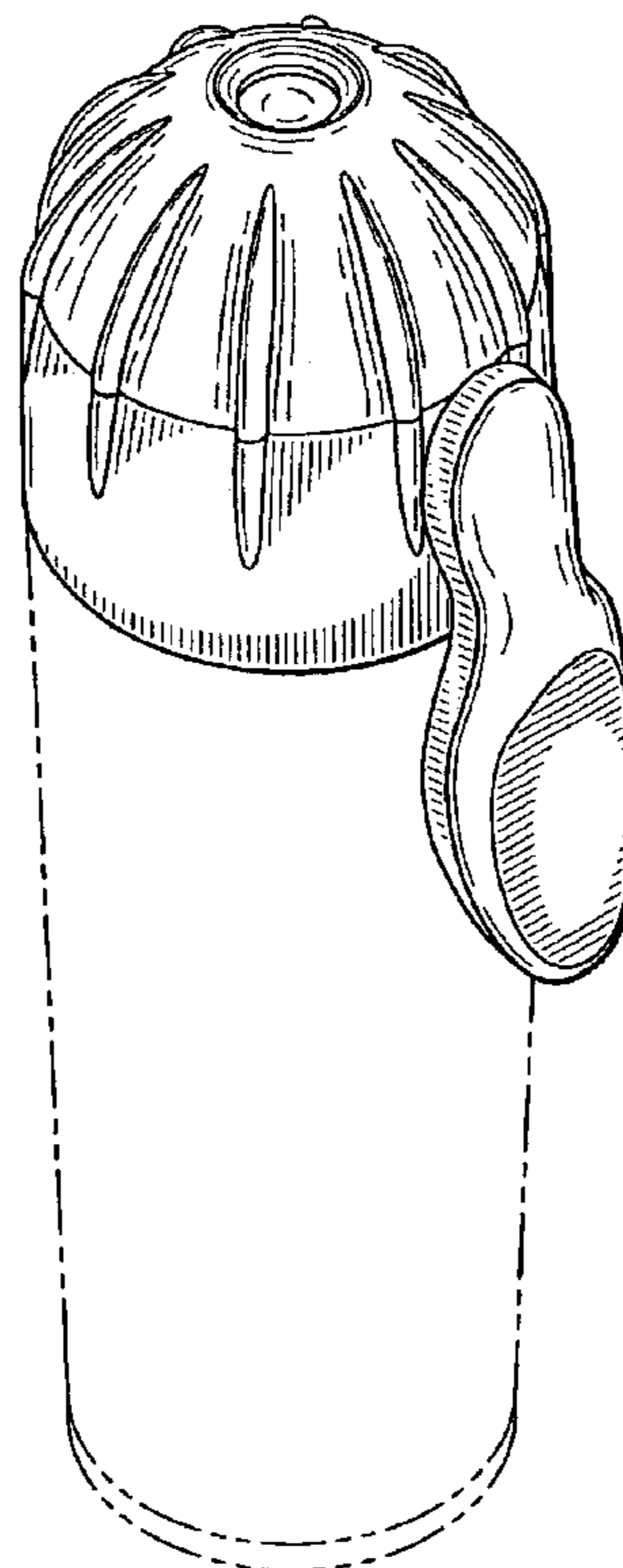
The broken line showing of the bottle in FIGS. 1 through 5 is for illustrative purposes only and forms no part of the claimed design.

(56) **References Cited**

U.S. PATENT DOCUMENTS

D112,699 S	*	12/1938	Johnson	D9/445
2,643,914 A		6/1953	Reswick		
2,746,797 A		5/1956	Remane		

1 Claim, 4 Drawing Sheets



US D515,920 S

Page 2

U.S. PATENT DOCUMENTS							
2,995,308	A	8/1961	Ashkenaz	4,826,054	A	5/1989	Frutin
3,093,857	A	6/1963	Hersh	5,040,705	A	8/1991	Snell
3,109,565	A	11/1963	Kutik	5,119,806	A	6/1992	Palson et al.
3,138,331	A	6/1964	Kutik	5,147,075	A	9/1992	Regan
D200,609	S	* 3/1965	Fahlstrom D9/448	5,186,364	A	2/1993	Laszlo
3,189,232	A	6/1965	Joffe	5,348,189	A	9/1994	Cater
3,252,626	A	5/1966	Belka	5,379,924	A	1/1995	Taylor
3,426,948	A	2/1969	Stirling	5,489,048	A	2/1996	Stern et al.
3,429,484	A	2/1969	Baldwin	5,524,798	A	6/1996	Stern et al.
D218,145	S	7/1970	Doblin	5,571,246	A	11/1996	Alldredge
3,601,290	A	8/1971	Nigro	5,645,198	A	7/1997	Stern et al.
3,648,905	A	3/1972	Kauder	5,655,691	A	8/1997	Stern et al.
D234,074	S	1/1975	Nilsson	5,715,975	A	2/1998	Stern et al.
3,987,942	A	10/1976	Morane et al.	D396,639	S	* 8/1998	Pedersen-Rask D9/454
4,077,549	A	3/1978	Beard	5,921,446	A	7/1999	Stern
4,089,609	A	5/1978	Gring et al.	5,937,874	A	8/1999	Guay et al.
4,111,338	A	9/1978	Cheng et al.	6,003,740	A	12/1999	Castaneda, Jr.
4,157,774	A	6/1979	Nicallef	6,016,938	A	1/2000	Eichorst
4,186,855	A	2/1980	Edman et al.	6,029,862	A	2/2000	Jones
4,264,037	A	4/1981	Nozawa	D445,685	S	* 7/2001	De Baschmakoff D9/448
D267,546	S	* 1/1983	Manlove D9/445	6,494,349	B1	12/2002	Thompson et al.
4,636,102	A	1/1987	Drake	6,685,064	B2	2/2004	Frutin
4,733,984	A	3/1988	Katsuda et al.				

* cited by examiner

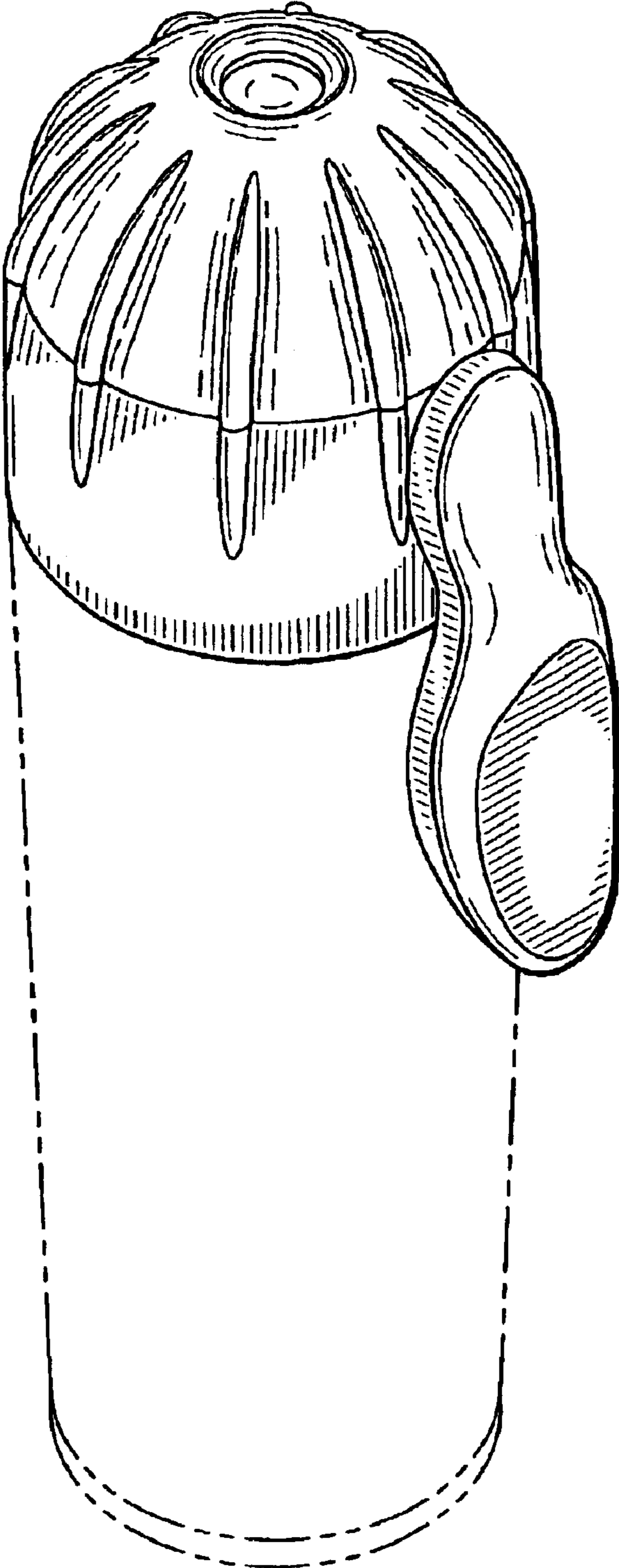


FIG. 1

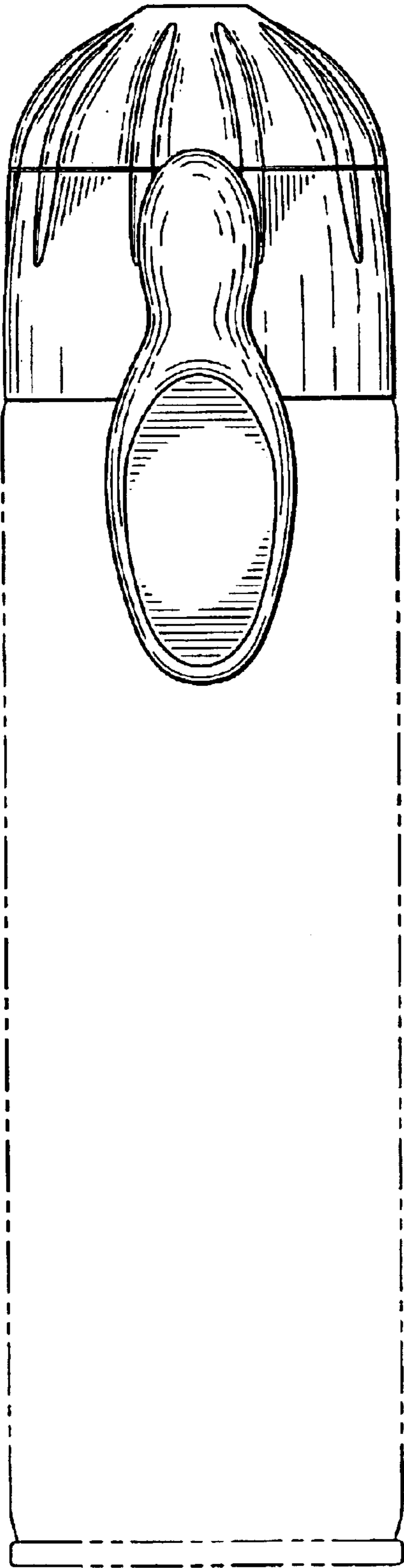


FIG. 2

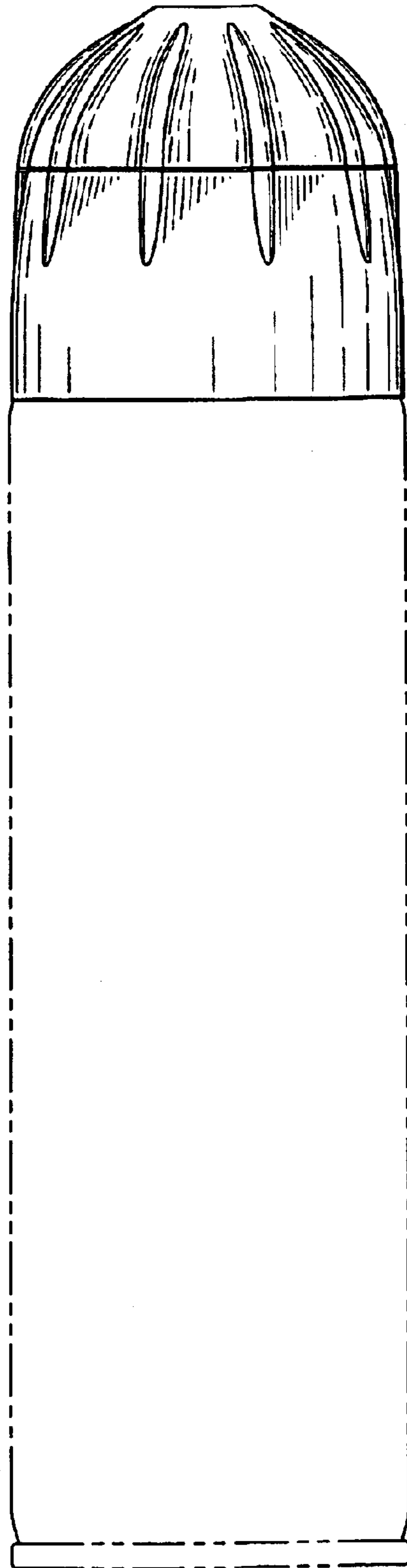


FIG. 3

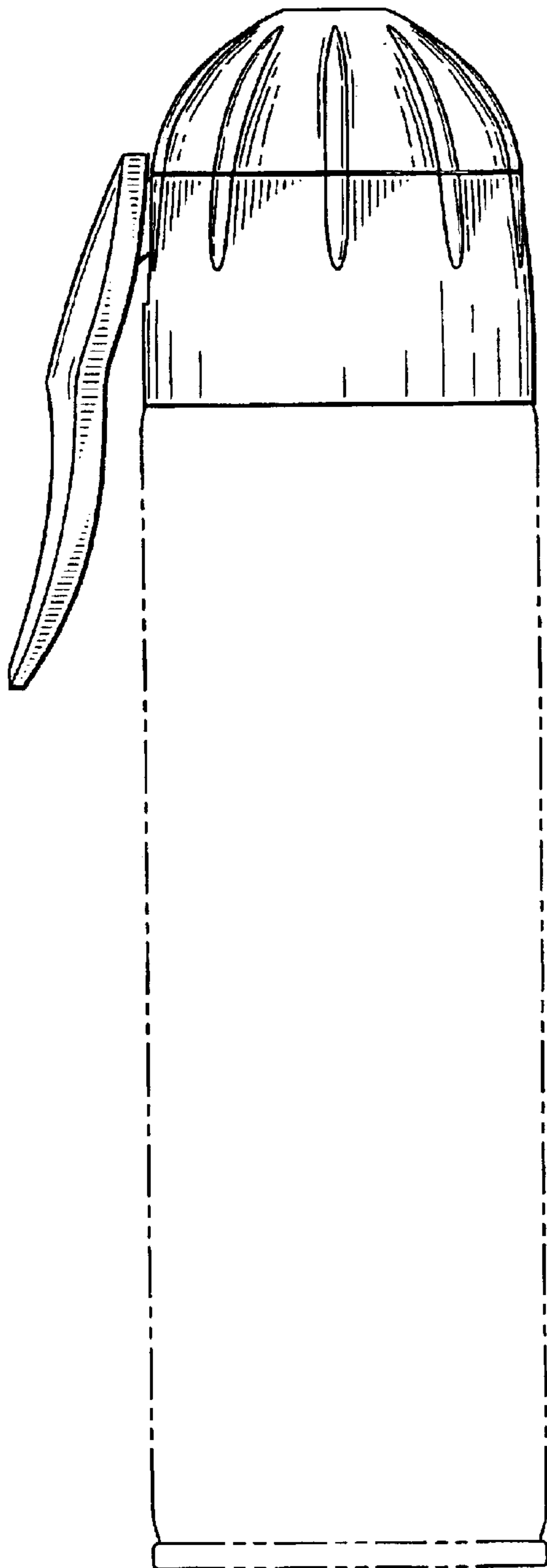


FIG. 4

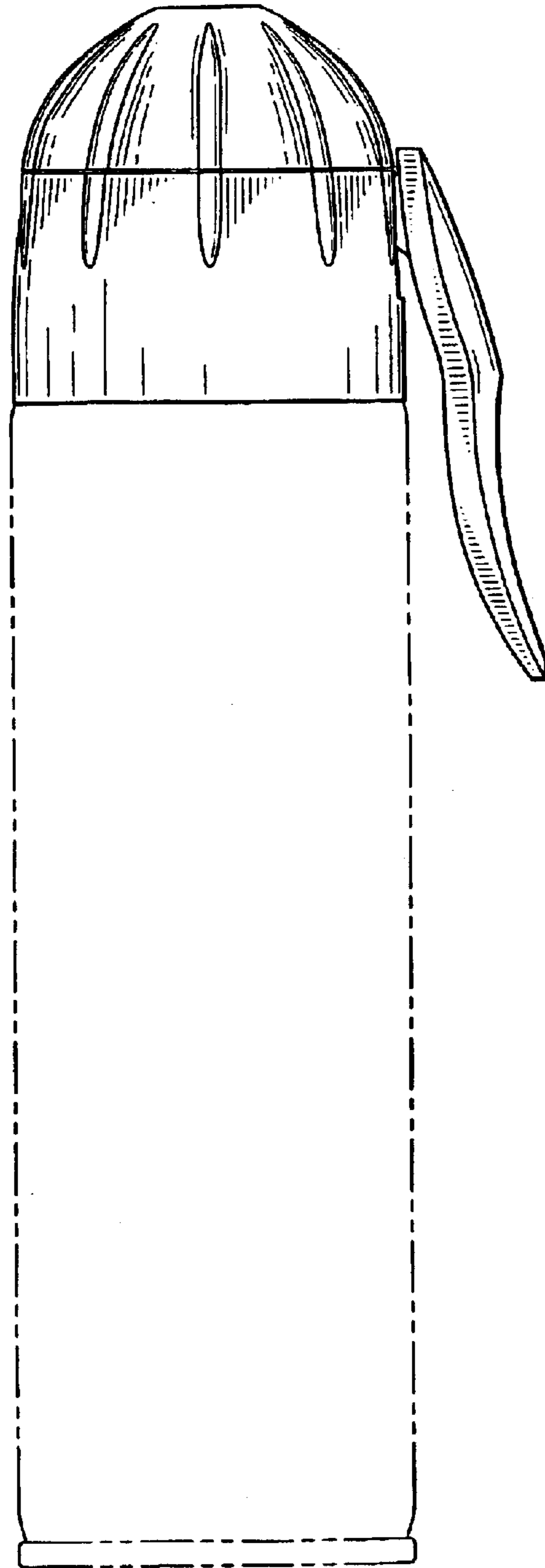


FIG. 5

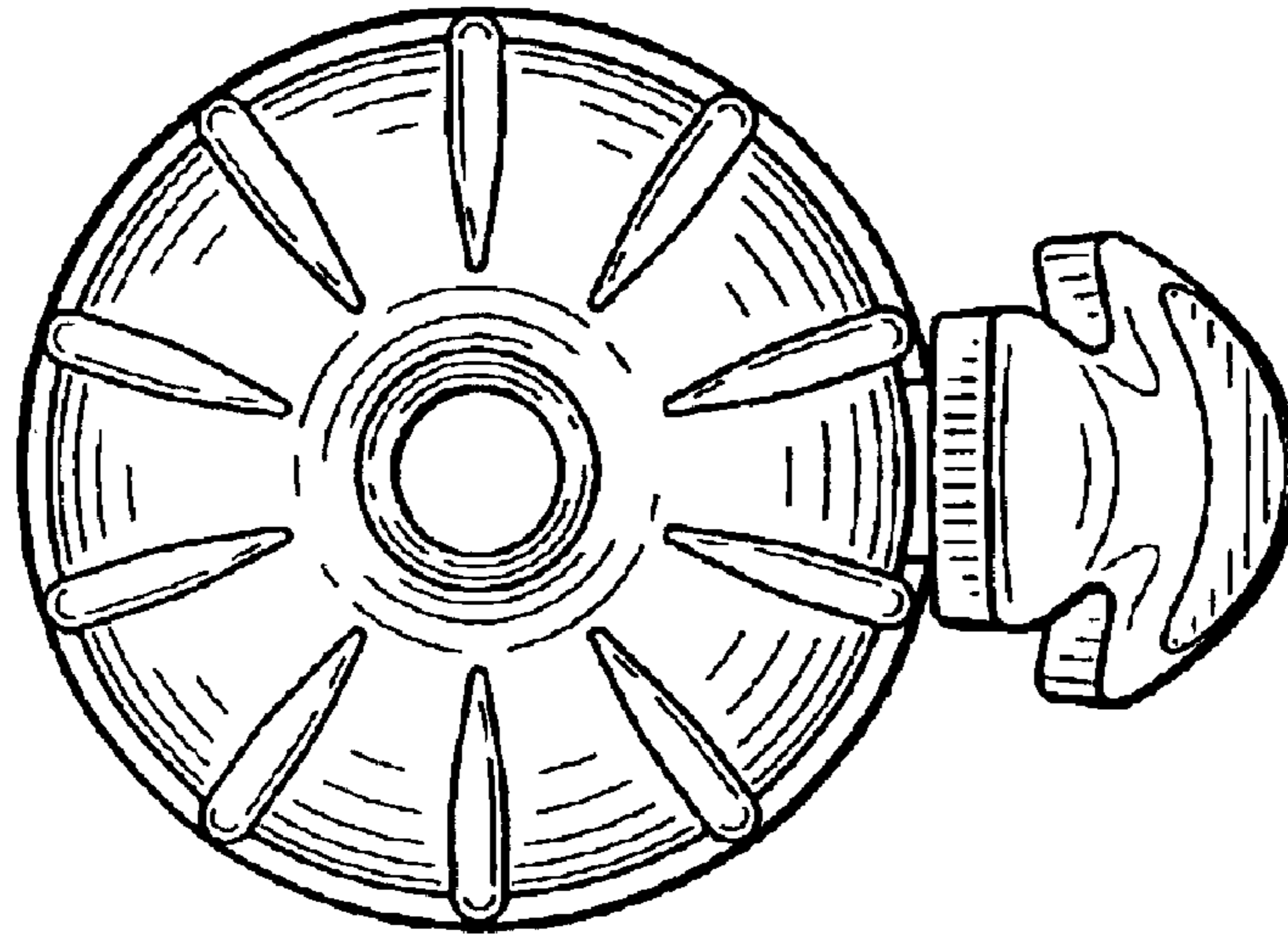


FIG. 6

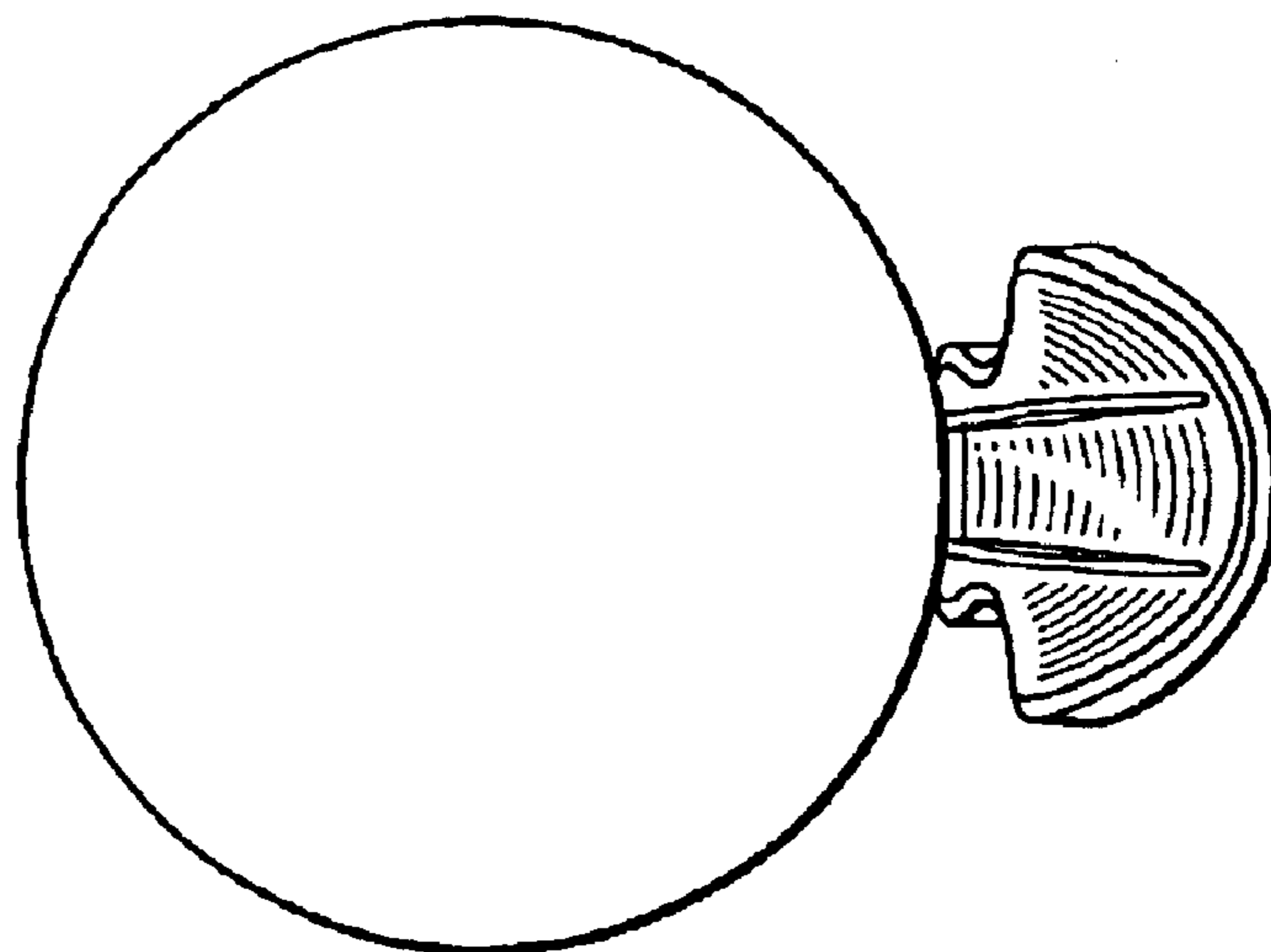


FIG. 7