



US00D515919S

(12) **United States Design Patent**  
**Hierzer et al.**

(10) **Patent No.:** **US D515,919 S**  
(45) **Date of Patent:** **\*\* Feb. 28, 2006**

(54) **CLOSURE**

(75) Inventors: **Valentin Hierzer**, Arlington Heights, IL (US); **Rick Gaiser**, Burlington, WI (US)

(73) Assignee: **Crown Packaging Technology, Inc.**, Alsip, IL (US)

(\*\*) Term: **14 Years**

(21) Appl. No.: **29/208,105**

(22) Filed: **Jun. 23, 2004**

(51) **LOC (8) Cl.** ..... **09-07**

(52) **U.S. Cl.** ..... **D9/447; D9/435**

(58) **Field of Classification Search** ..... D9/759,  
D9/751, 741, 739, 737, 515, 499, 454, 453,  
D9/434, 446-450, 439-440, 435, 436; D7/398,  
D7/392; 383/80; 222/575, 566, 556, 553,  
222/544-546, 491; 215/237

See application file for complete search history.

(56) **References Cited**

**U.S. PATENT DOCUMENTS**

3,255,937 A \* 6/1966 Jarrett ..... D9/450  
5,579,957 A 12/1996 Gentile et al.  
5,969,952 A \* 10/1999 Hayashi et al. .... 361/774  
6,722,536 B2 \* 4/2004 Bremner et al. .... 222/575

**FOREIGN PATENT DOCUMENTS**

WO WO 99/29585 6/1999

\* cited by examiner

*Primary Examiner*—Robert M. Spear

*Assistant Examiner*—Susan Bennett Hattan

(74) *Attorney, Agent, or Firm*—Knoble Yoshida & Dunleavy, LLC

(57) **CLAIM**

The ornamental design for a “closure,” as shown and described.

**DESCRIPTION**

FIG. 1 is a perspective view showing our new design;

FIG. 2 is a first side elevational view;

FIG. 3 is a second side elevational view;

FIG. 4 is a top plan view;

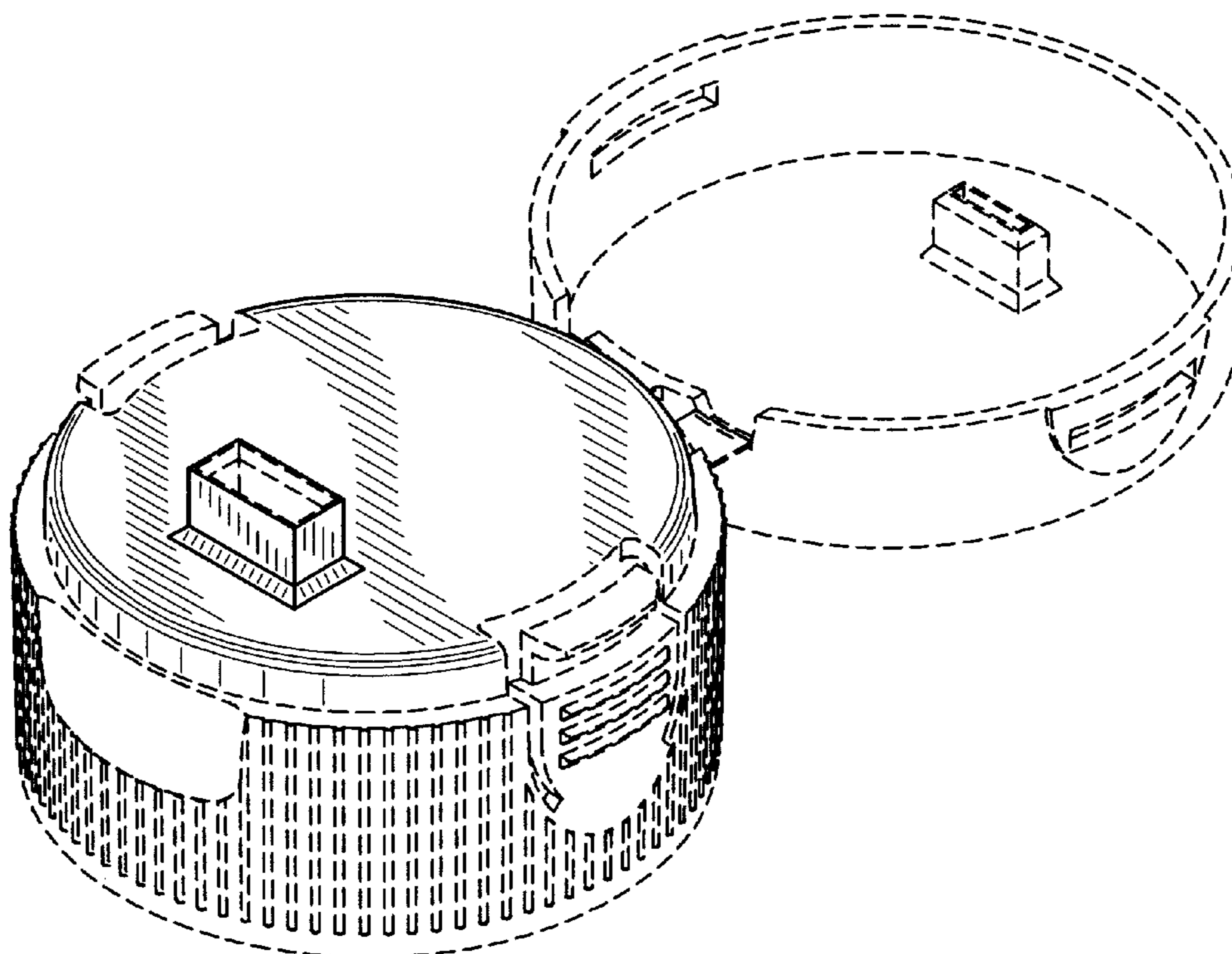
FIG. 5 is a bottom plan view;

FIG. 6 is a front elevational view showing a portion of the design; and,

FIG. 7 is a rear elevational view showing a portion of the design.

The broken lines in the drawings depict probable environment only and form no part of the claimed design.

**1 Claim, 6 Drawing Sheets**



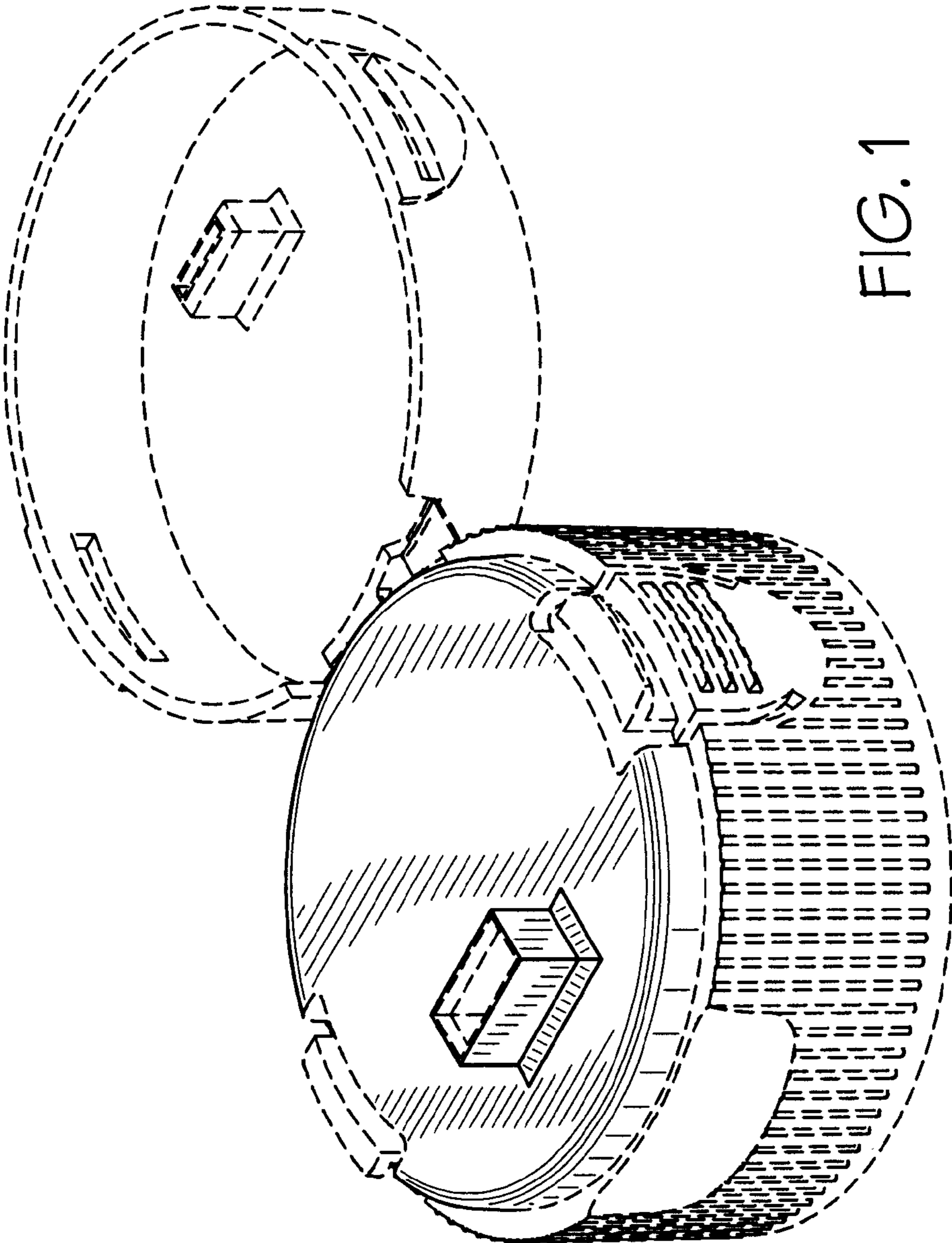


FIG. 1

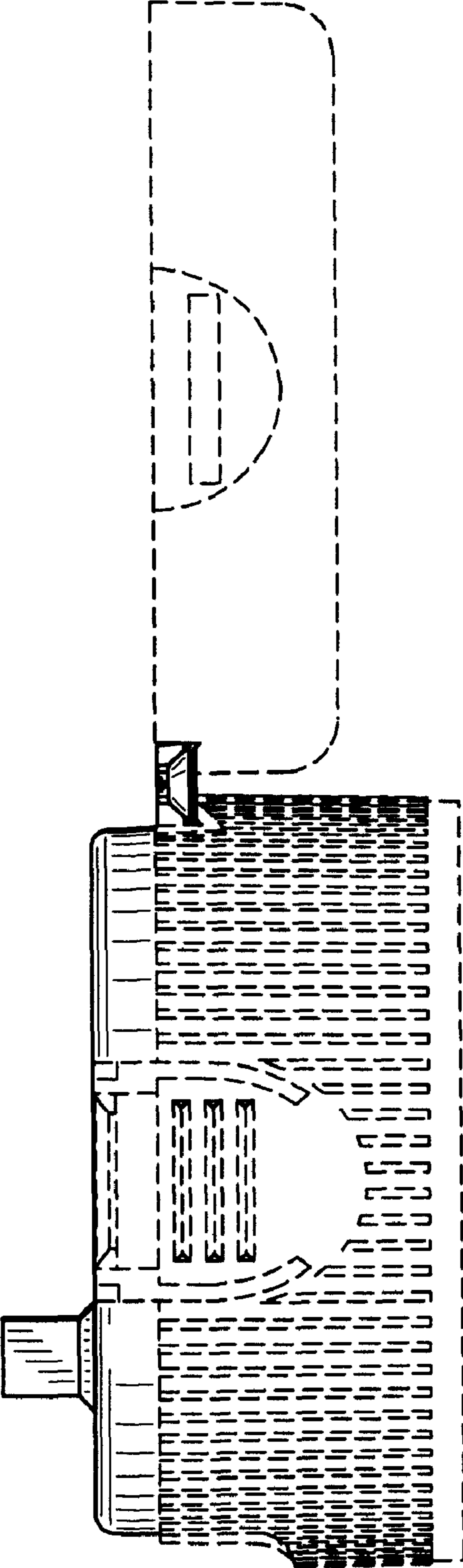


FIG. 2

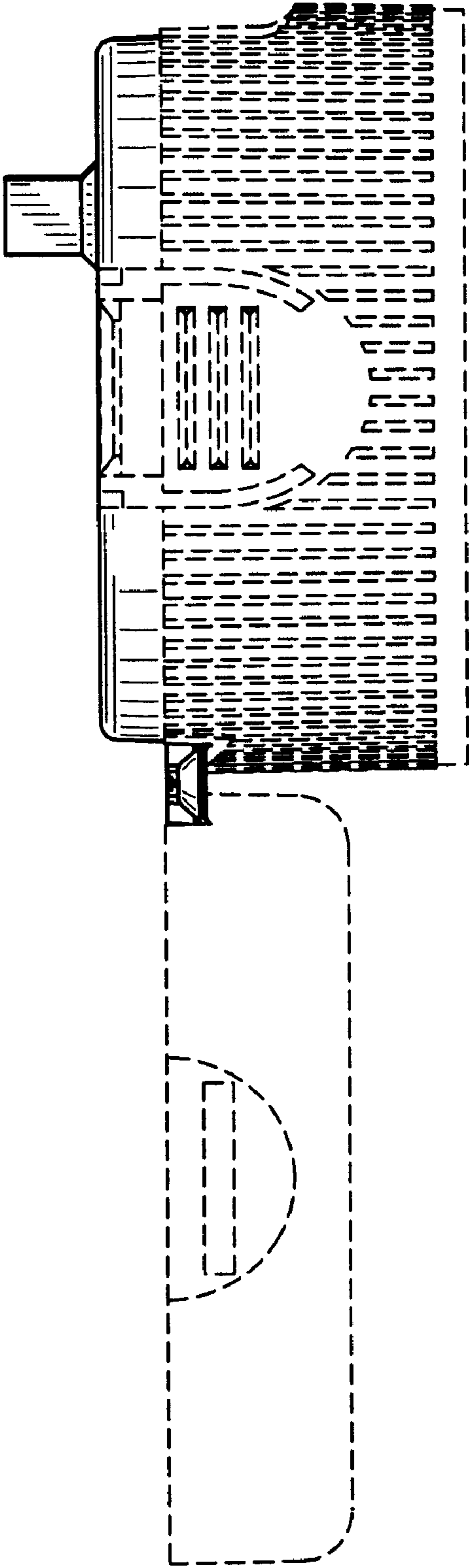


FIG. 3

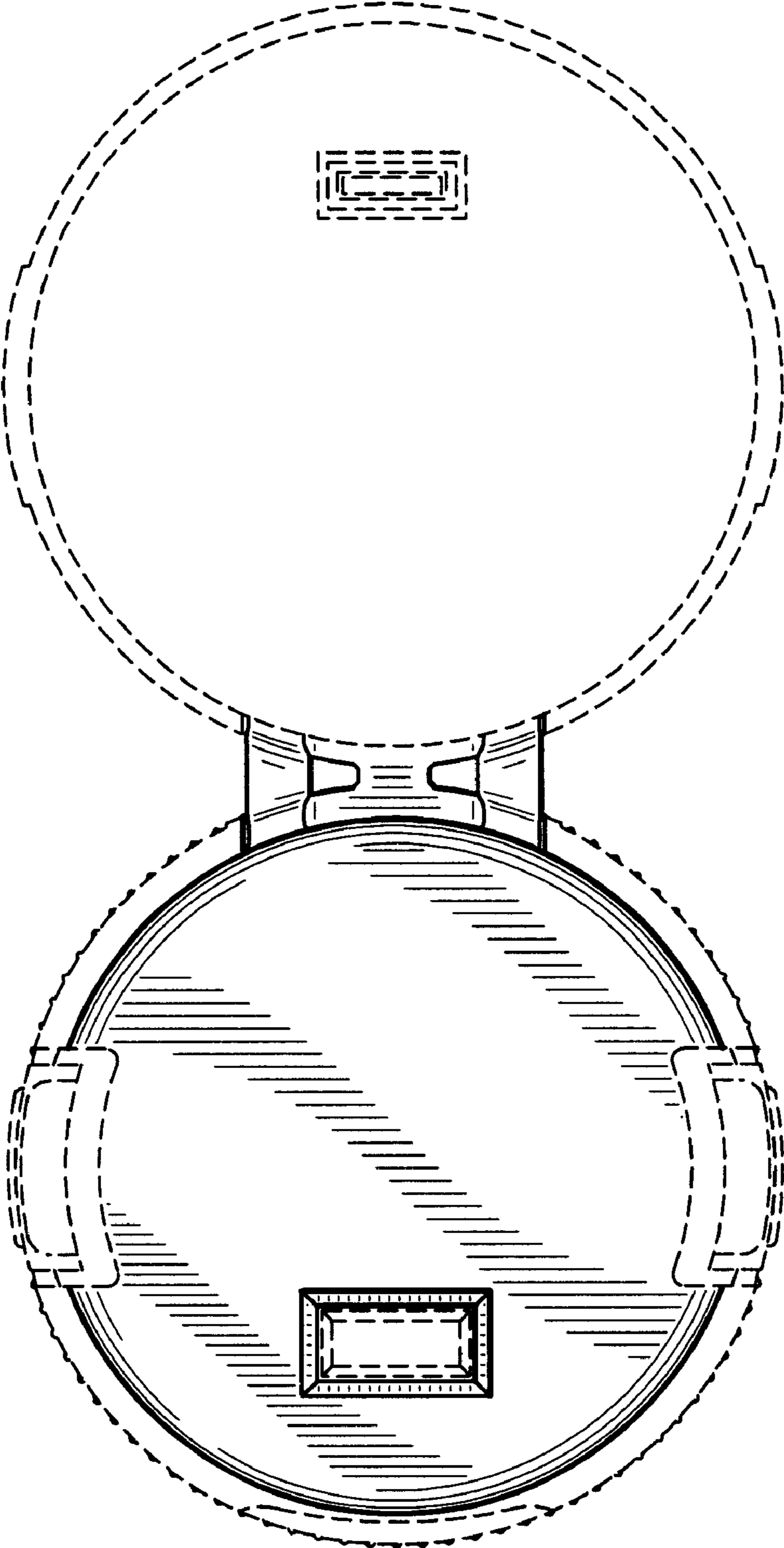


FIG. 4

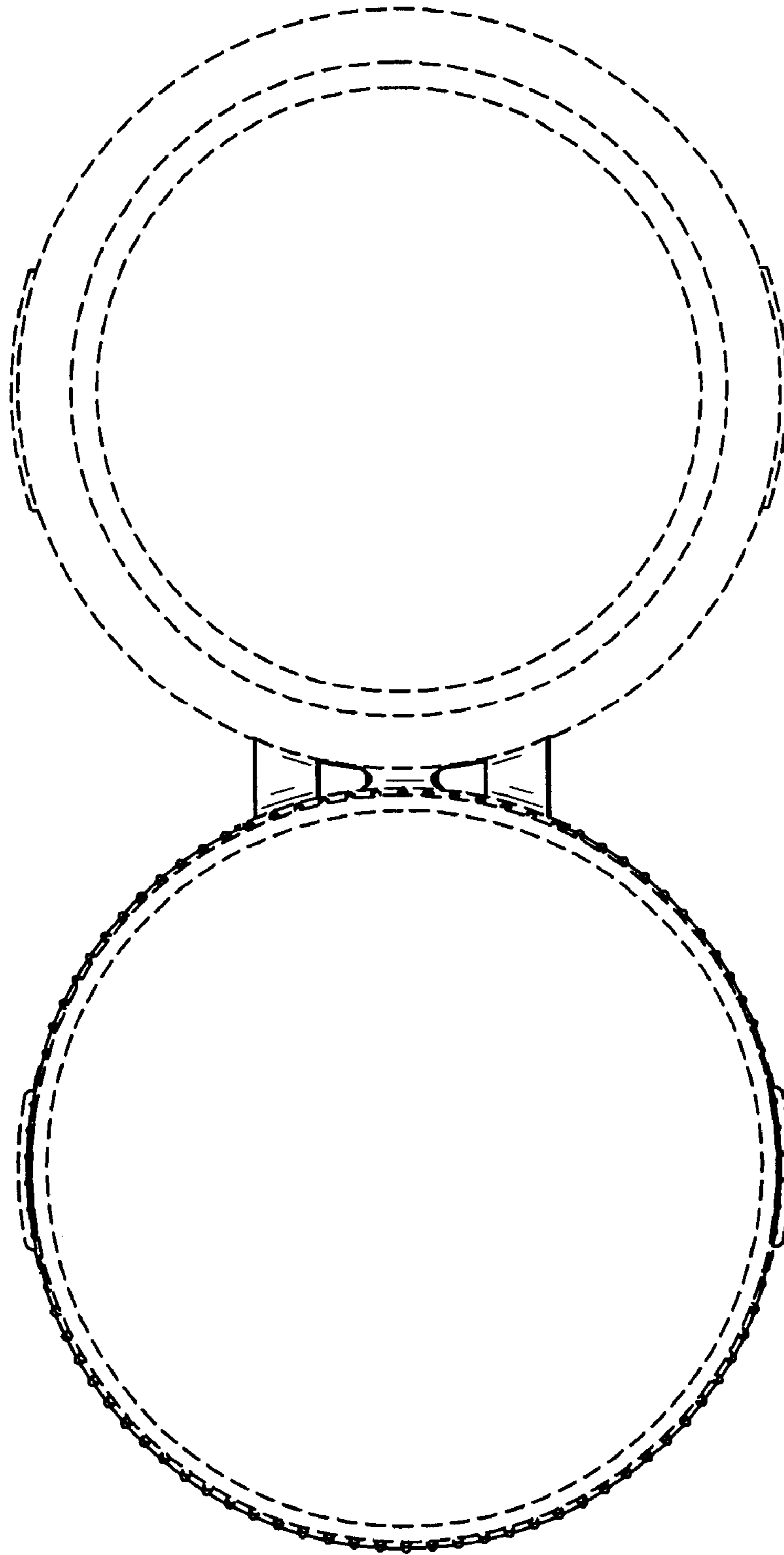


FIG. 5

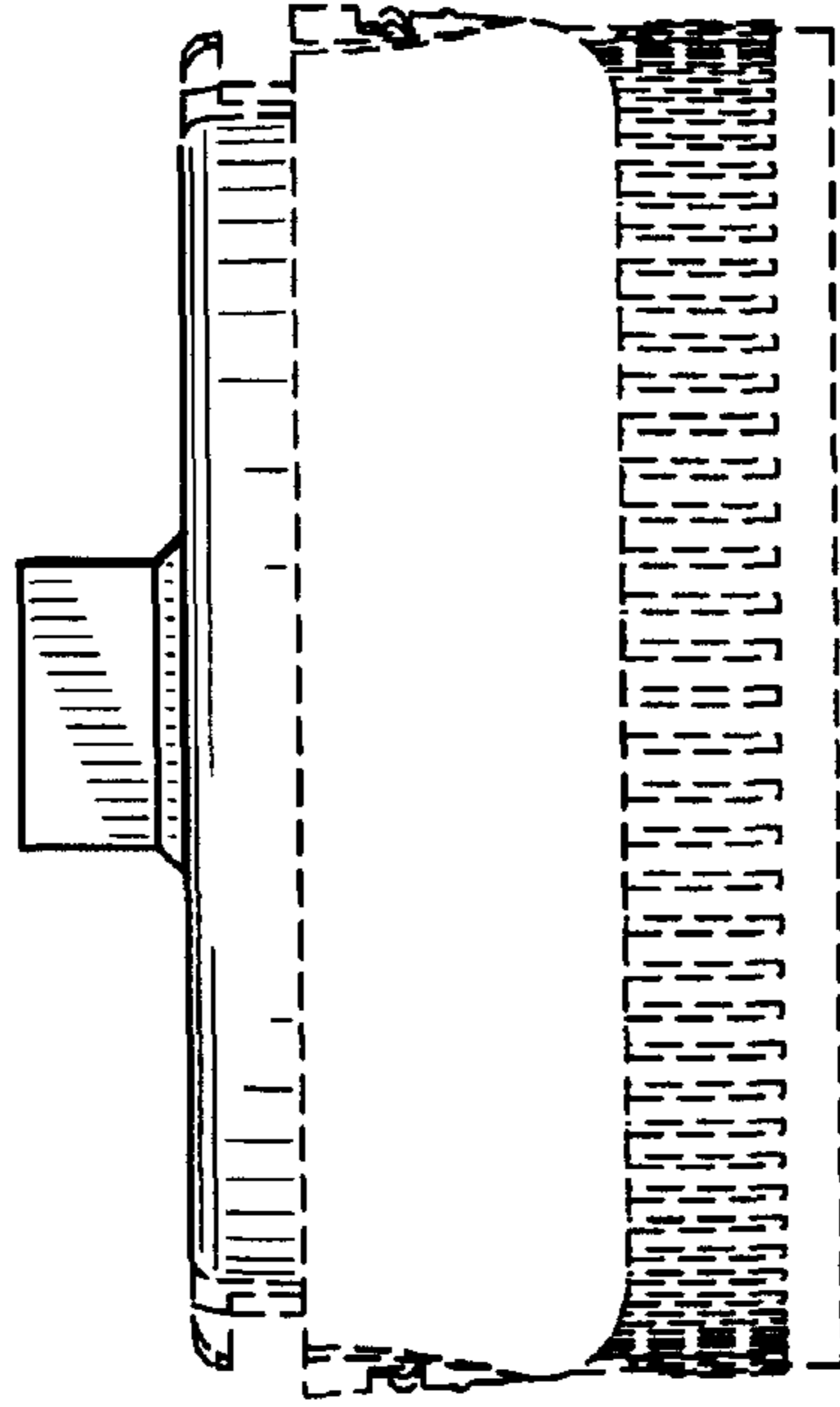


FIG. 6

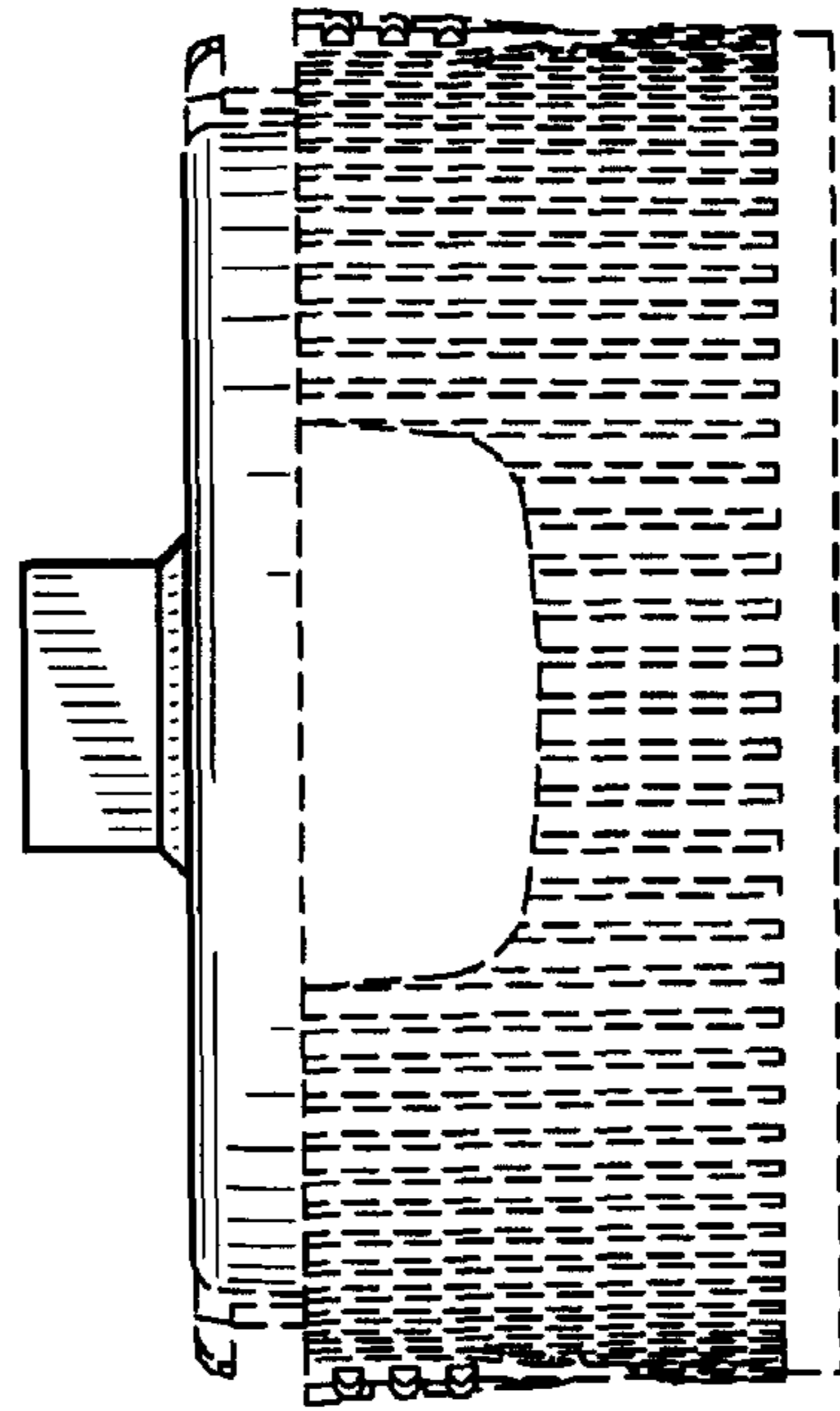


FIG. 7