



US00D515917S

(12) **United States Design Patent**
Hierzer et al.

(10) **Patent No.: US D515,917 S**

(45) **Date of Patent: ** *Feb. 28, 2006**

(54) **CLOSURE**

(75) Inventors: **Valentin Hierzer**, Arlington Heights, IL (US); **Rick Gaiser**, Burlington, WI (US)

(73) Assignee: **Crown Packaging Technology, Inc.**, Alsip, IL (US)

(*) Notice: This patent is subject to a terminal disclaimer.

(**) Term: **14 Years**

(21) Appl. No.: **29/208,060**

(22) Filed: **Jun. 23, 2004**

(51) **LOC (8) Cl.** **09-07**

(52) **U.S. Cl.** **D9/447; D9/435**

(58) **Field of Classification Search** D9/759, D9/751, 741, 739, 737, 515, 499, 454, 453, D9/434, 446-450, 439-440, 435, 436; D7/398, D7/392; 383/80; 222/575, 566, 556, 553, 222/544-546, 491; 215/237
See application file for complete search history.

(56) **References Cited**

U.S. PATENT DOCUMENTS

- 3,251,509 A * 5/1966 Foster 222/556
- D280,606 S * 9/1985 Kennedy et al. D9/449
- D369,109 S * 4/1996 Proshan D9/447
- 5,579,957 A 12/1996 Gentile et al.

- D410,388 S * 6/1999 Fisher et al. D9/449
- D424,440 S * 5/2000 Wilkinson et al. D9/446
- D469,012 S * 1/2003 Lee D9/434
- 6,688,501 B2 * 2/2004 DeGroot et al. 222/556

FOREIGN PATENT DOCUMENTS

WO WO 99/29585 6/1999

* cited by examiner

Primary Examiner—Robert M. Spear

Assistant Examiner—Susan Bennett Hattan

(74) *Attorney, Agent, or Firm*—Knoble Yoshida & Dunleavy, LLC

(57) **CLAIM**

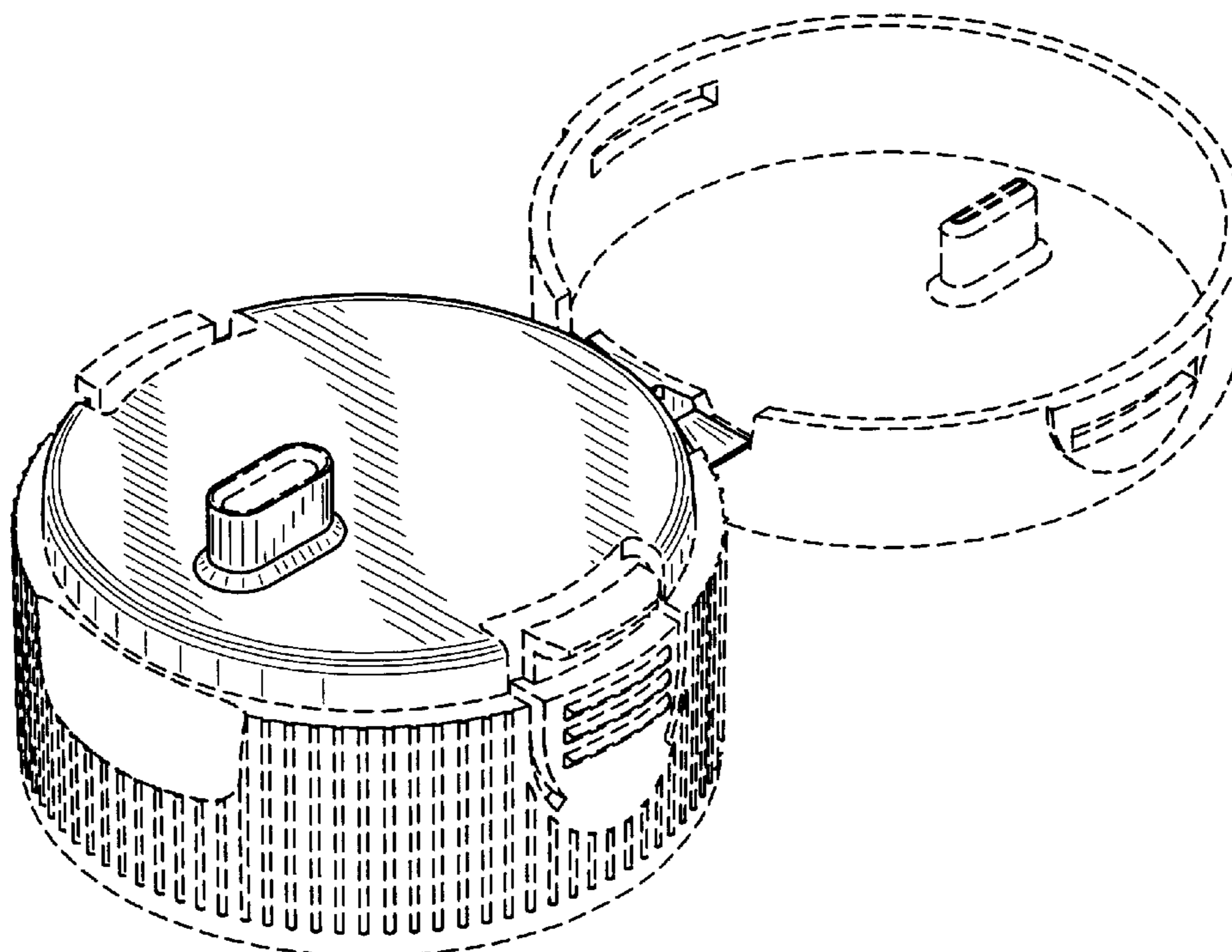
The ornamental design of a “closure,” as shown and described.

DESCRIPTION

FIG. 1 is a perspective view showing our new design; FIG. 2 is a first side elevational view; FIG. 3 is a second side elevational view; FIG. 4 is a top plan view; FIG. 5 is a bottom plan view; FIG. 6 is a front elevational view showing a portion of the design; and, FIG. 7 is a rear elevational view showing a portion of the design.

The broken lines in the drawings depict probable environment only and form no part of the claimed design.

1 Claim, 6 Drawing Sheets



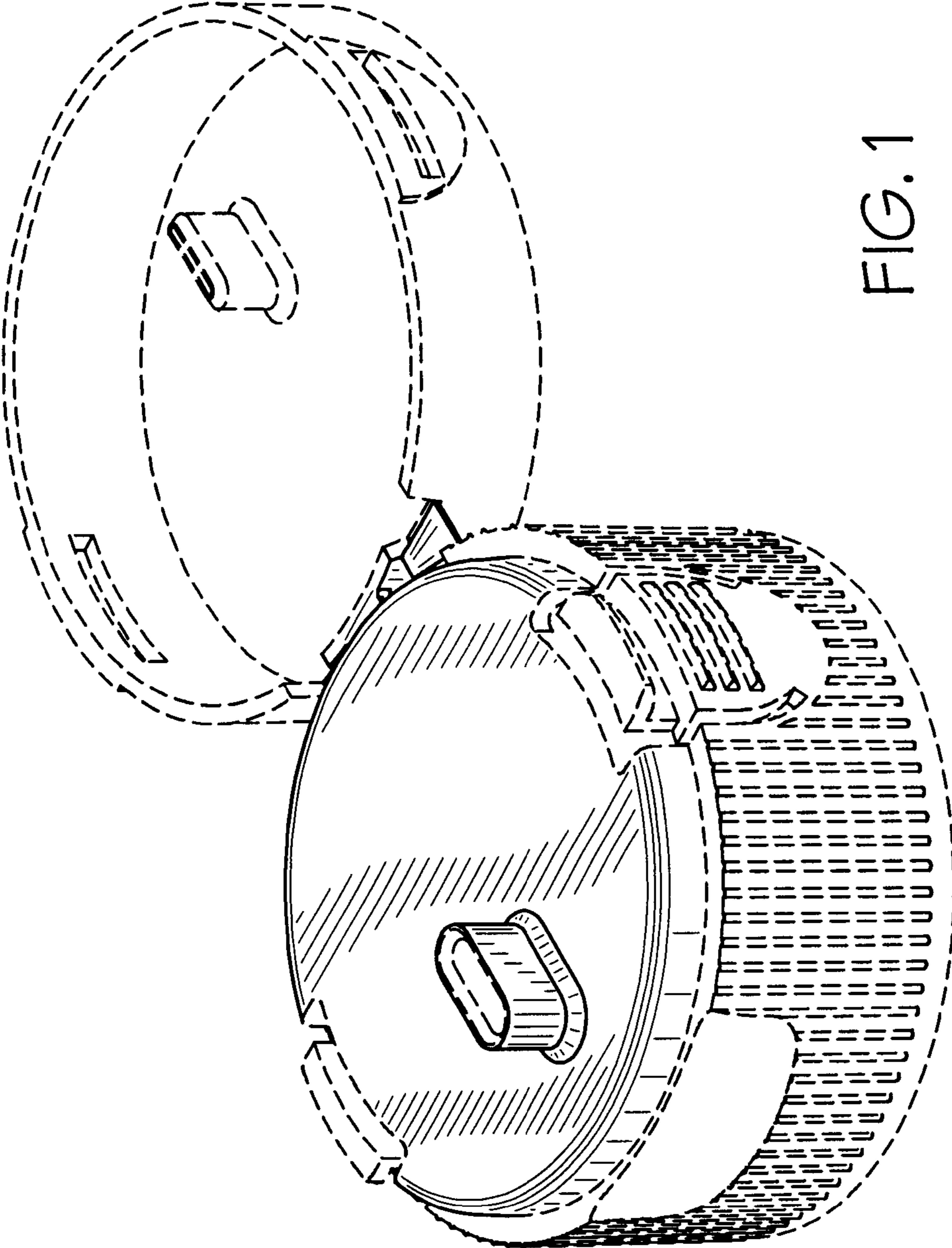


FIG. 1

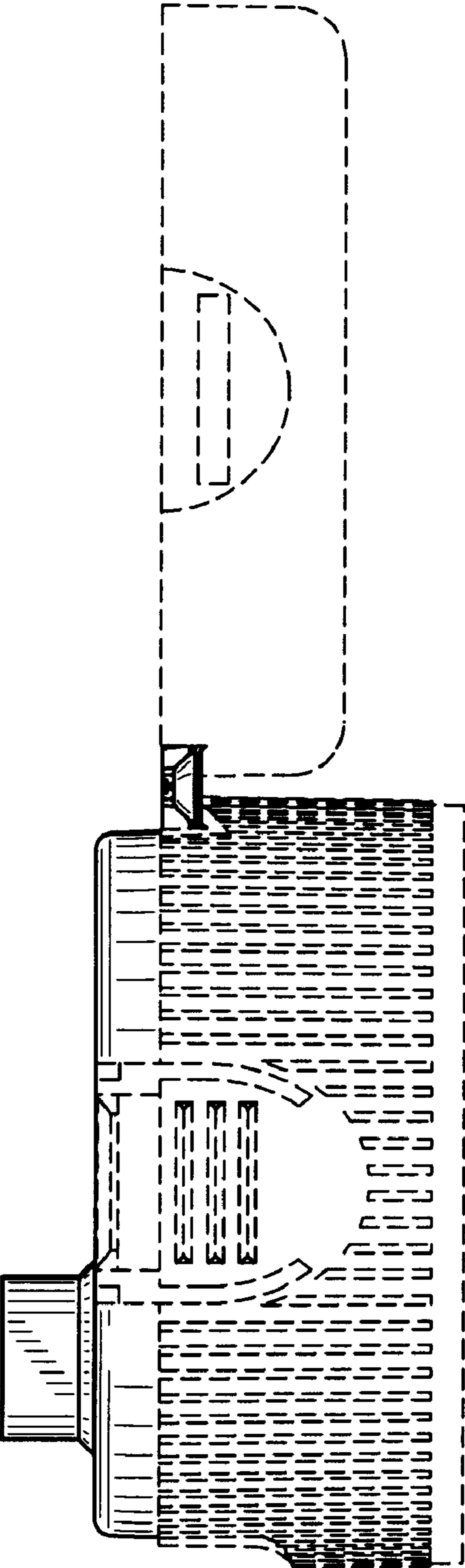


FIG. 2

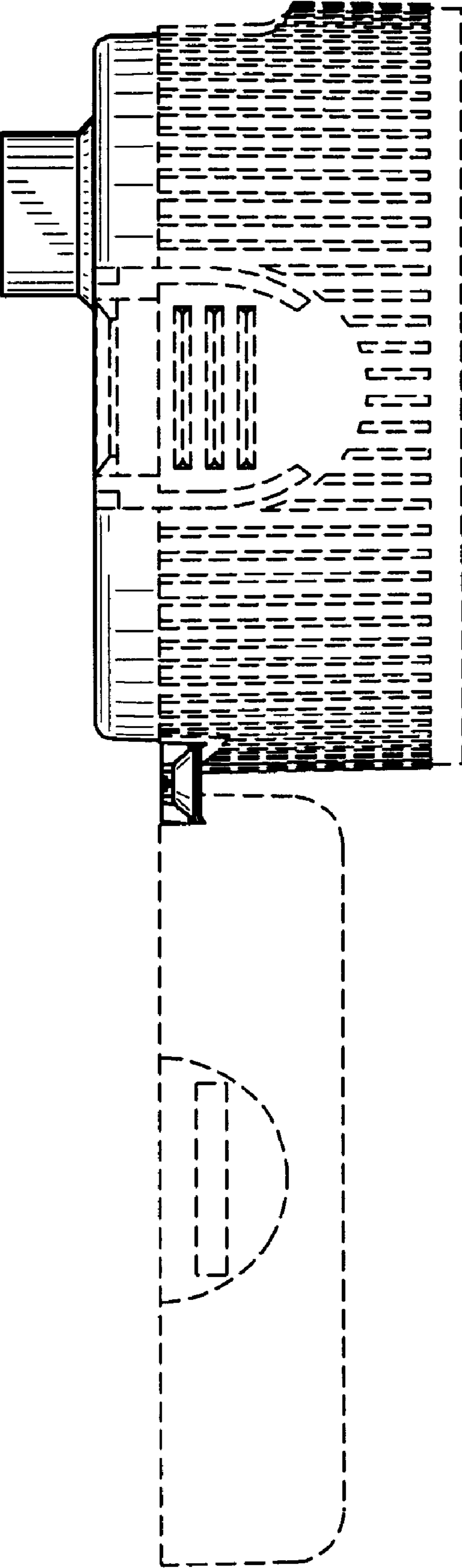


FIG. 3

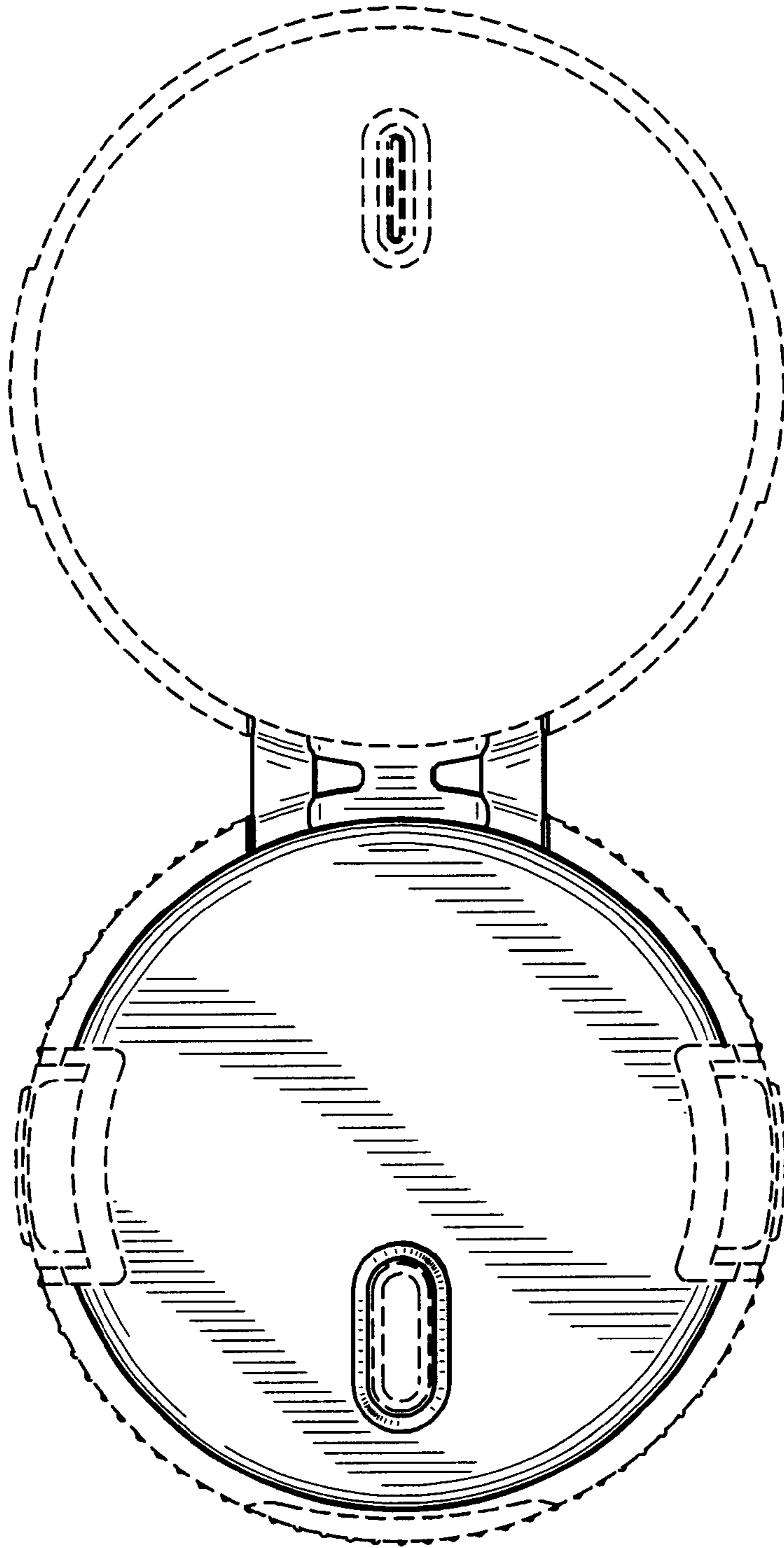


FIG. 4

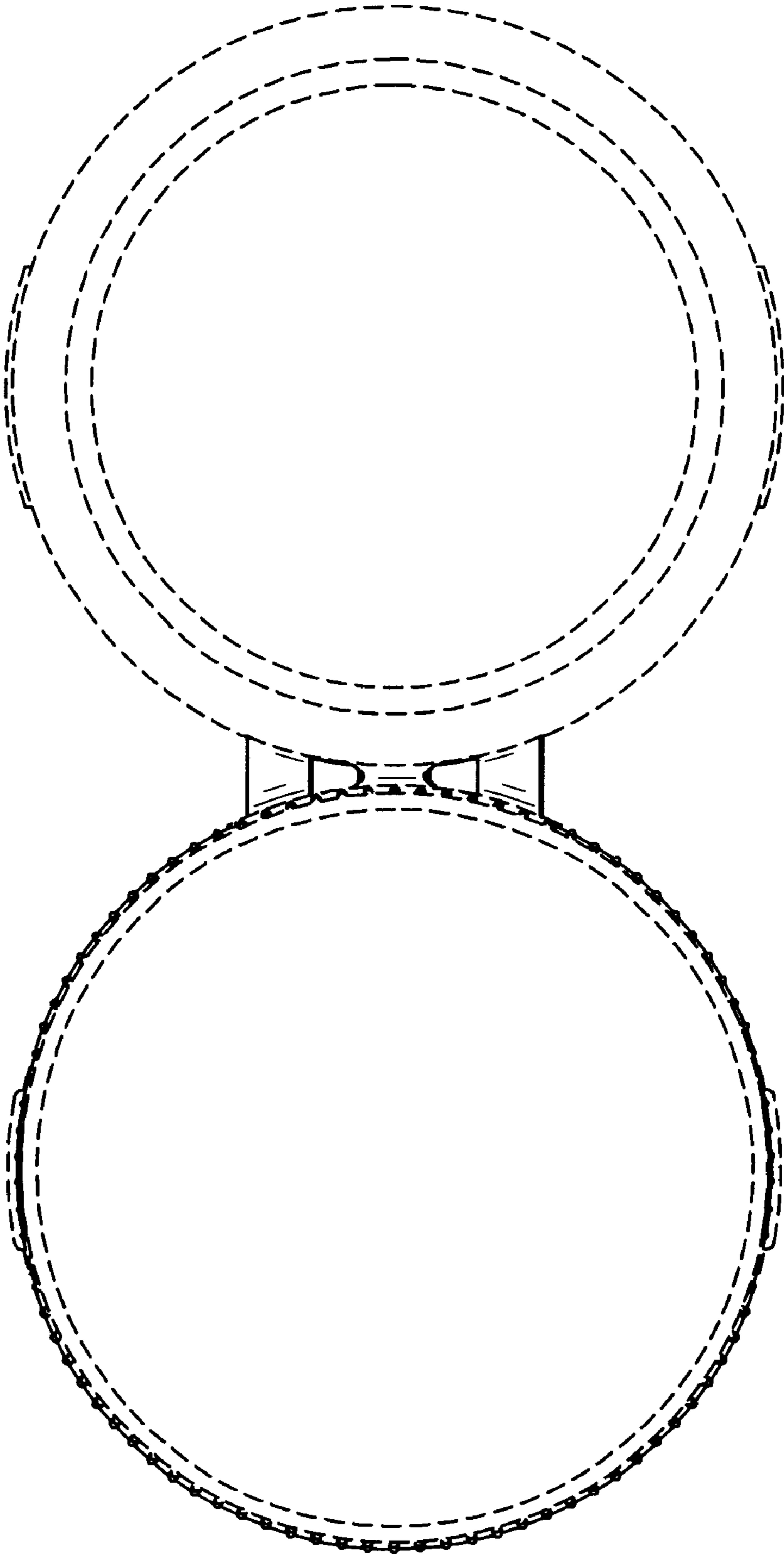


FIG. 5

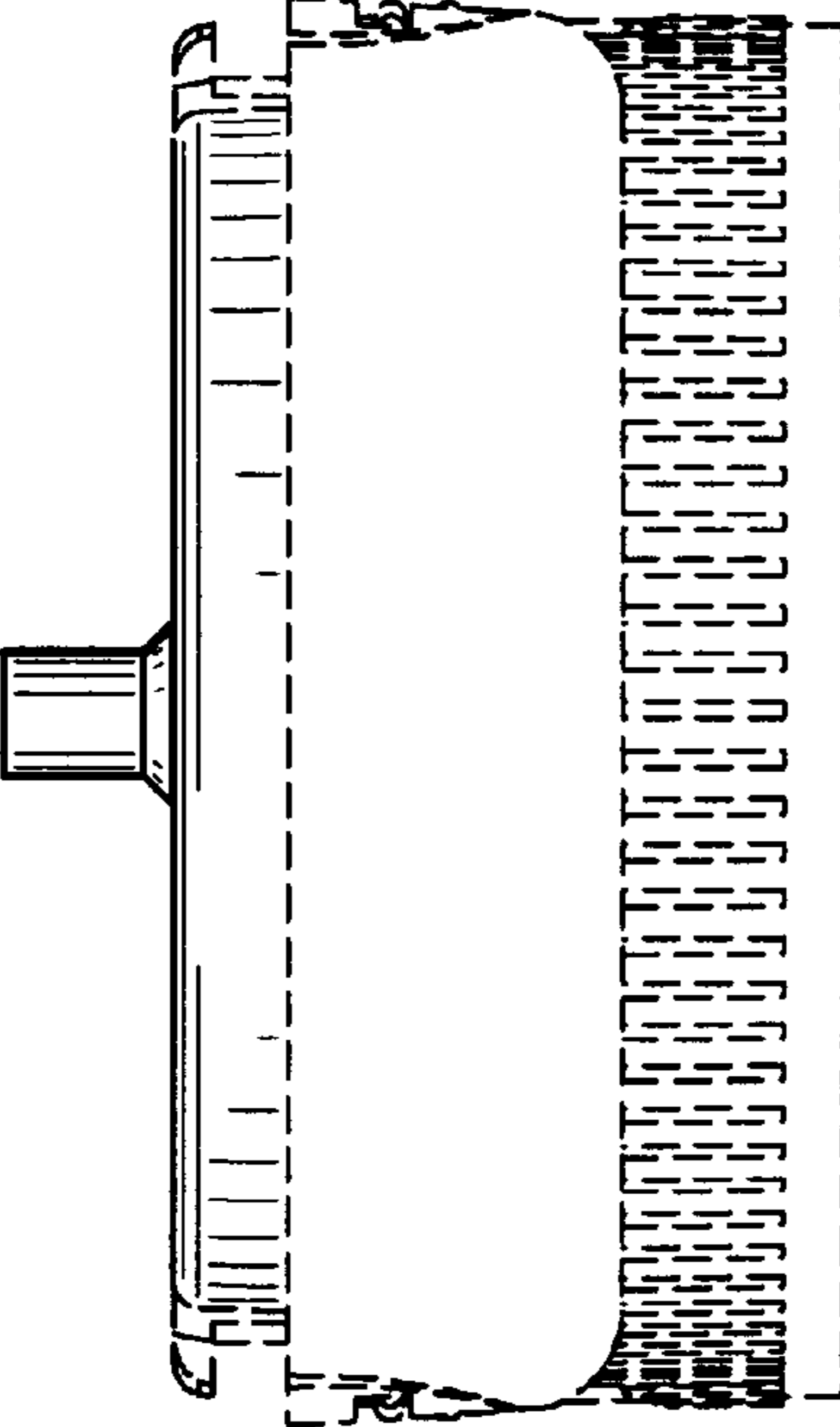


FIG. 6

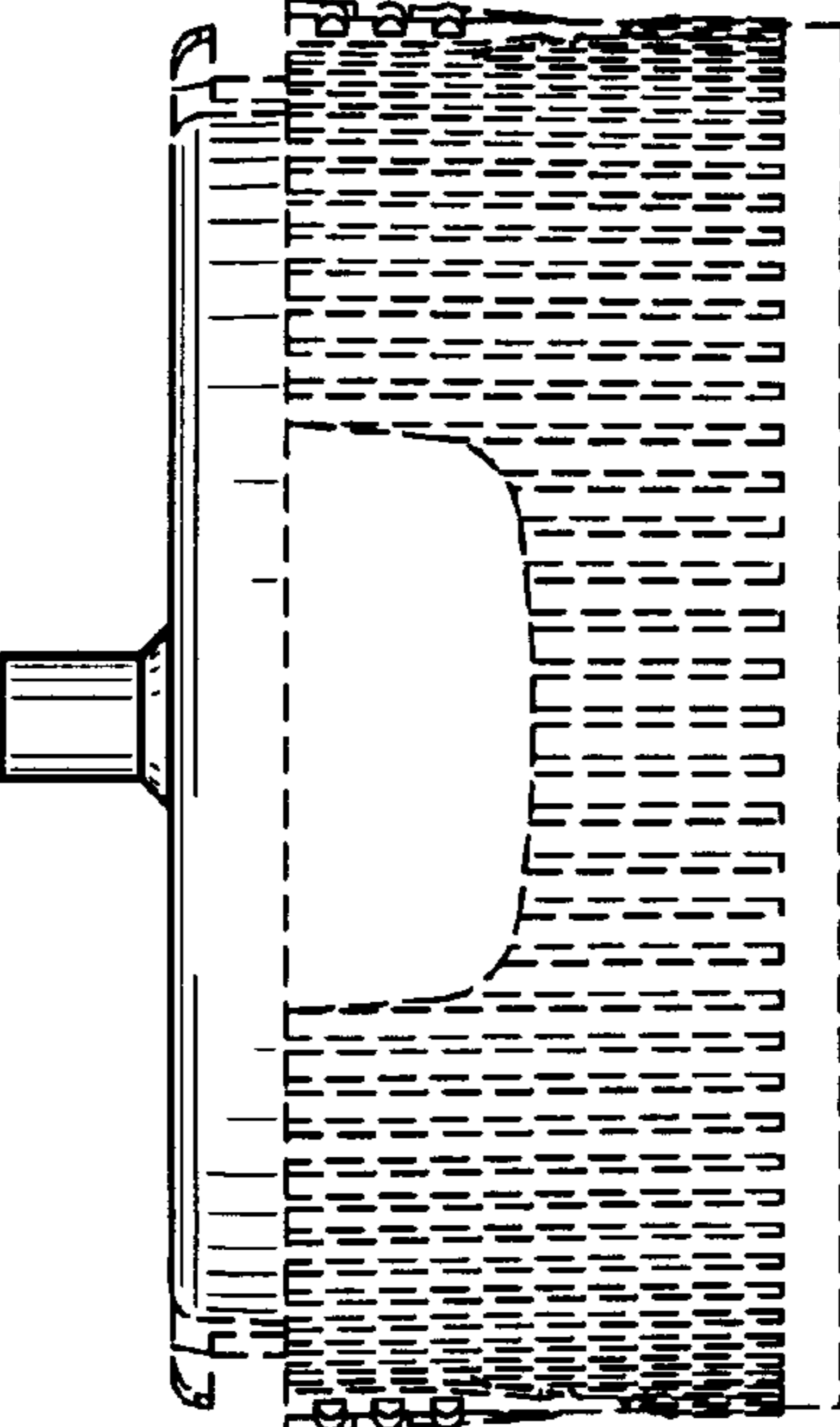


FIG. 7