



US00D515914S

(12) **United States Design Patent**
Aspert

(10) **Patent No.:** **US D515,914 S**

(45) **Date of Patent:** **** Feb. 28, 2006**

(54) **RING ADJUSTER**

(75) **Inventor:** **Jacques Aspert, Thiers (FR)**

(73) **Assignee:** **Wichard S.A. (FR)**

(**) **Term:** **14 Years**

(21) **Appl. No.:** **29/197,206**

(22) **Filed:** **Jan. 12, 2004**

(30) **Foreign Application Priority Data**

Jul. 11, 2003 (EP) 000 050 554

(51) **LOC (8) Cl.** **08-08**

(52) **U.S. Cl.** **D8/383**

(58) **Field of Classification Search** D8/383;
24/115 R, 115 M, 115 H, 136 R, 136 A,
24/265 CD

See application file for complete search history.

(56) **References Cited**

U.S. PATENT DOCUMENTS

D340,106 S * 10/1993 Hystad D22/135

D377,155 S * 1/1997 Takimoto D11/216
D428,806 S * 8/2000 Berger et al. D8/383
D465,400 S * 11/2002 Moore et al. D8/331

* cited by examiner

Primary Examiner—Holly H. Baynham

(74) *Attorney, Agent, or Firm*—Cantor Colburn LLP

(57) **CLAIM**

I claim, the ornamental design for a ring adjuster, as shown and described.

DESCRIPTION

FIG. 1 is a perspective view of a ring adjuster, showing my new design;

FIG. 2 is a front elevational view thereof;

FIG. 3 is a rear elevational view thereof;

FIG. 4 is a side elevational view thereof;

FIG. 5 is an opposite side elevational view thereof;

FIG. 6 is a top plan view thereof;

FIG. 7 is a bottom plan view thereof; and,

FIG. 8 is a top plan view of the ring adjuster in an alternate, retracted position.

1 Claim, 6 Drawing Sheets

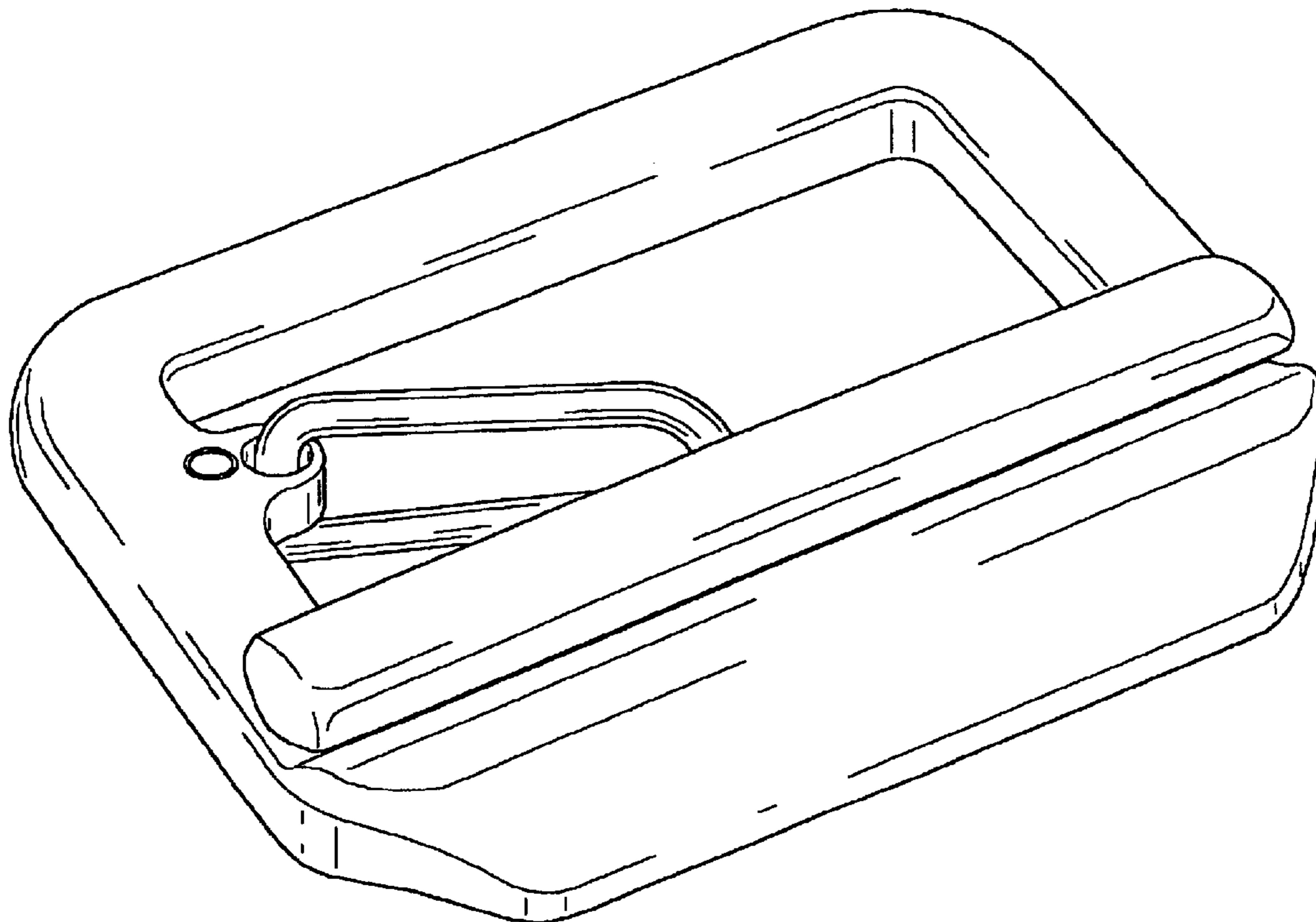


FIG. 1

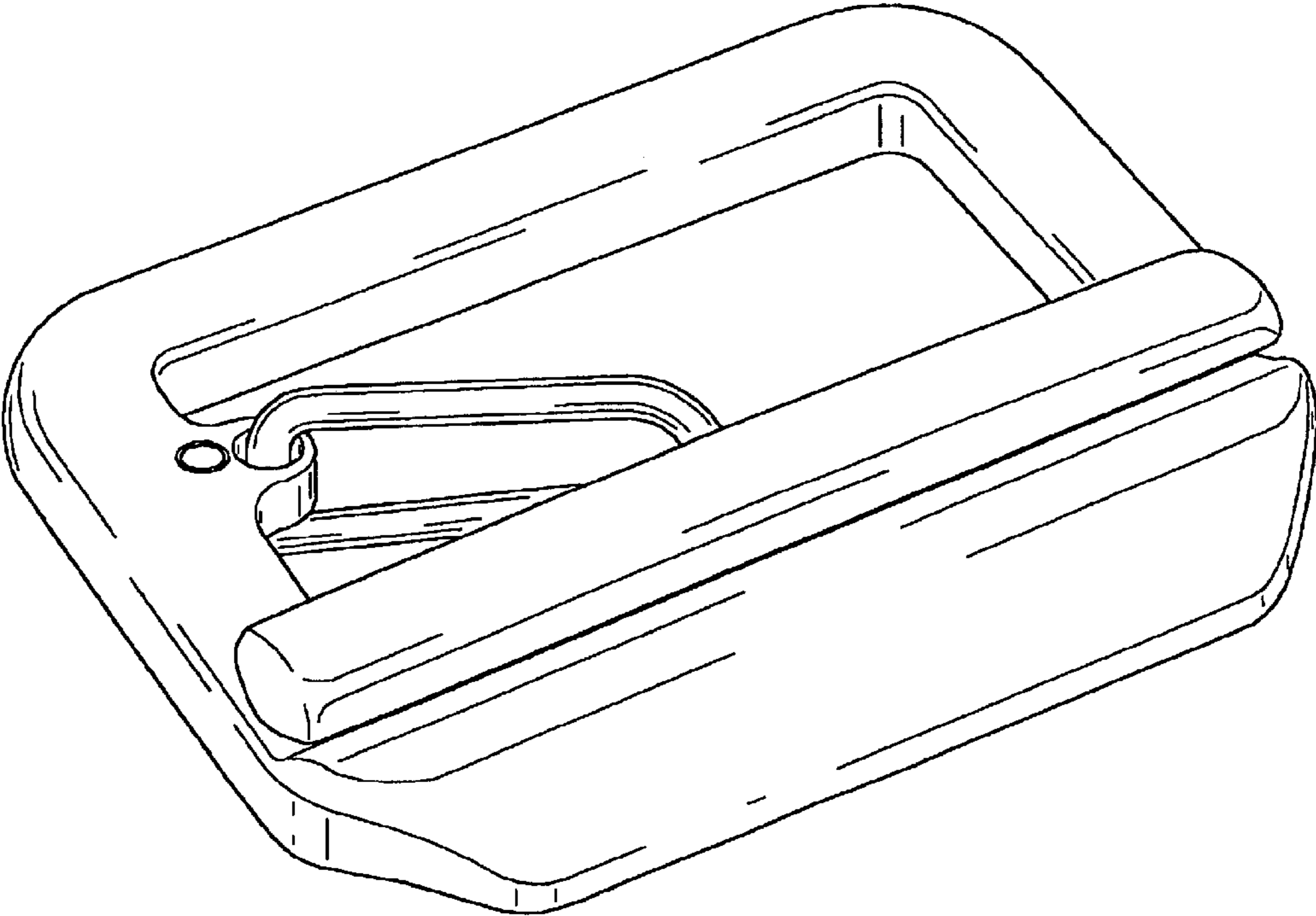


FIG. 2

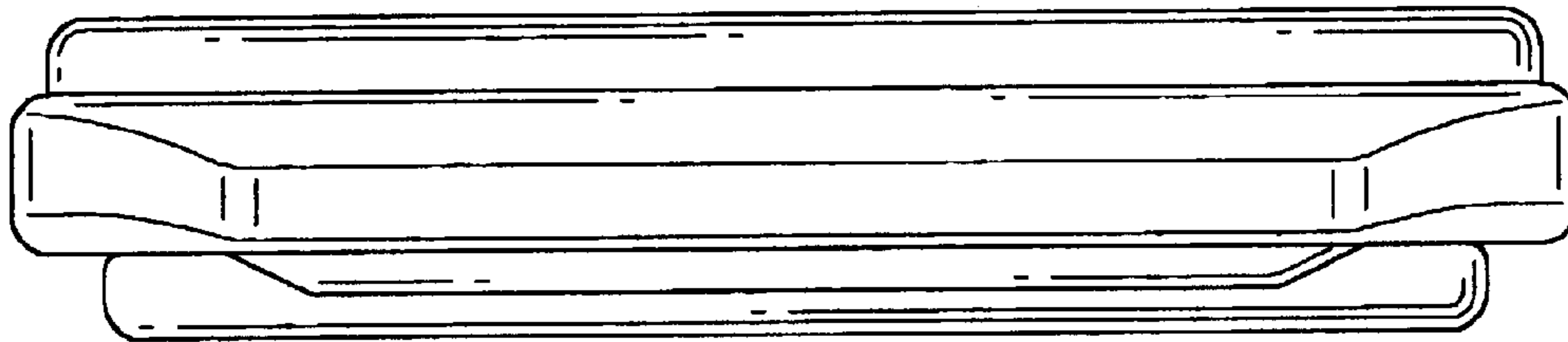


FIG. 3

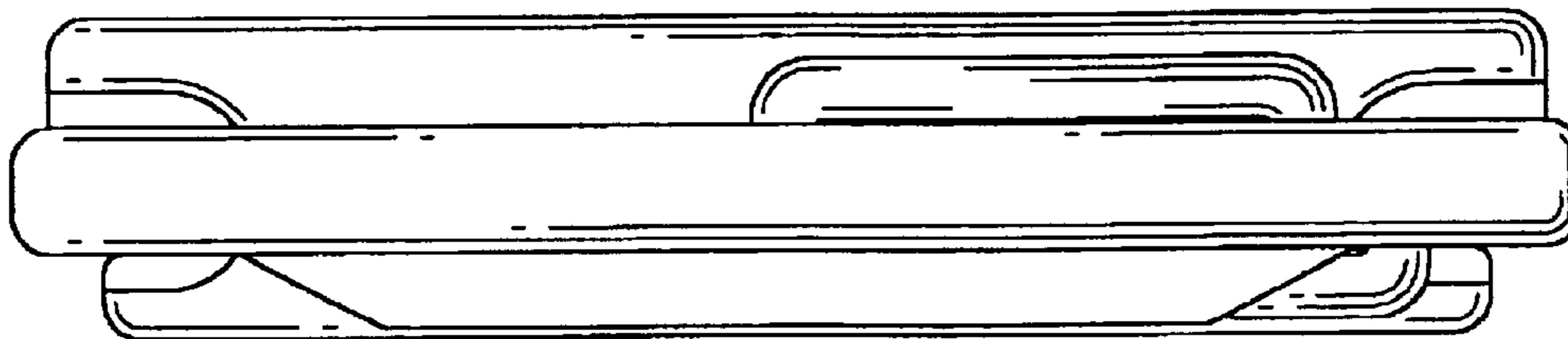


FIG. 4

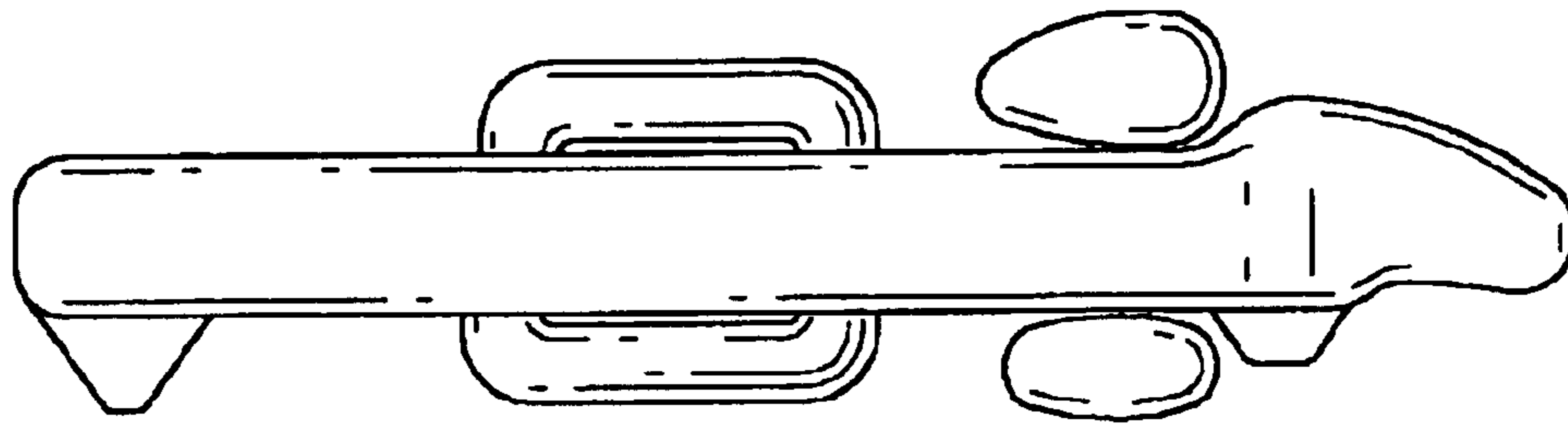


FIG. 5

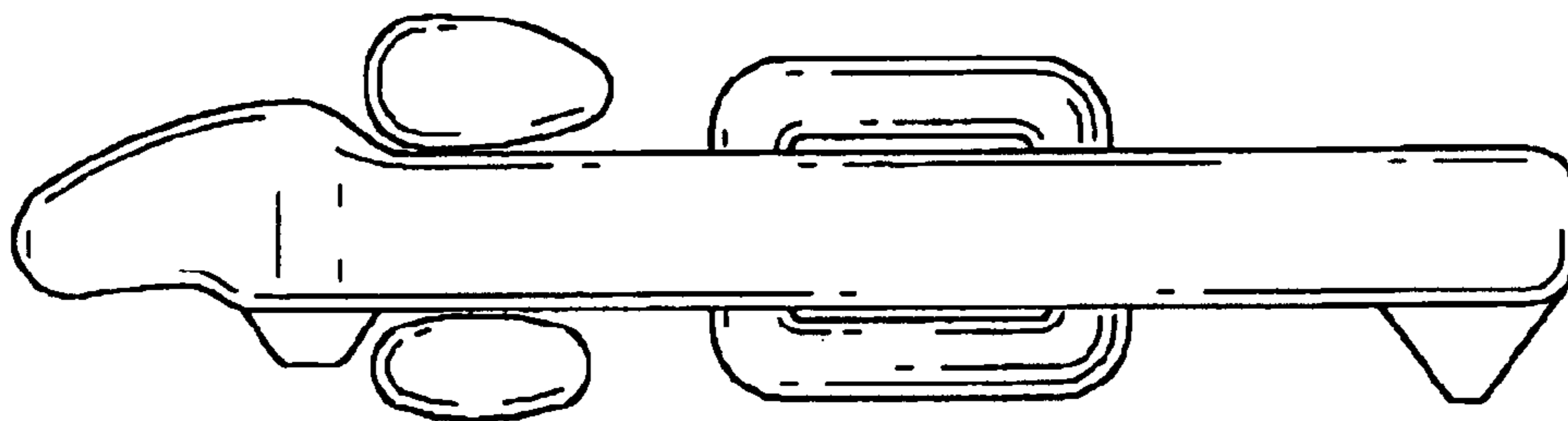


FIG. 6

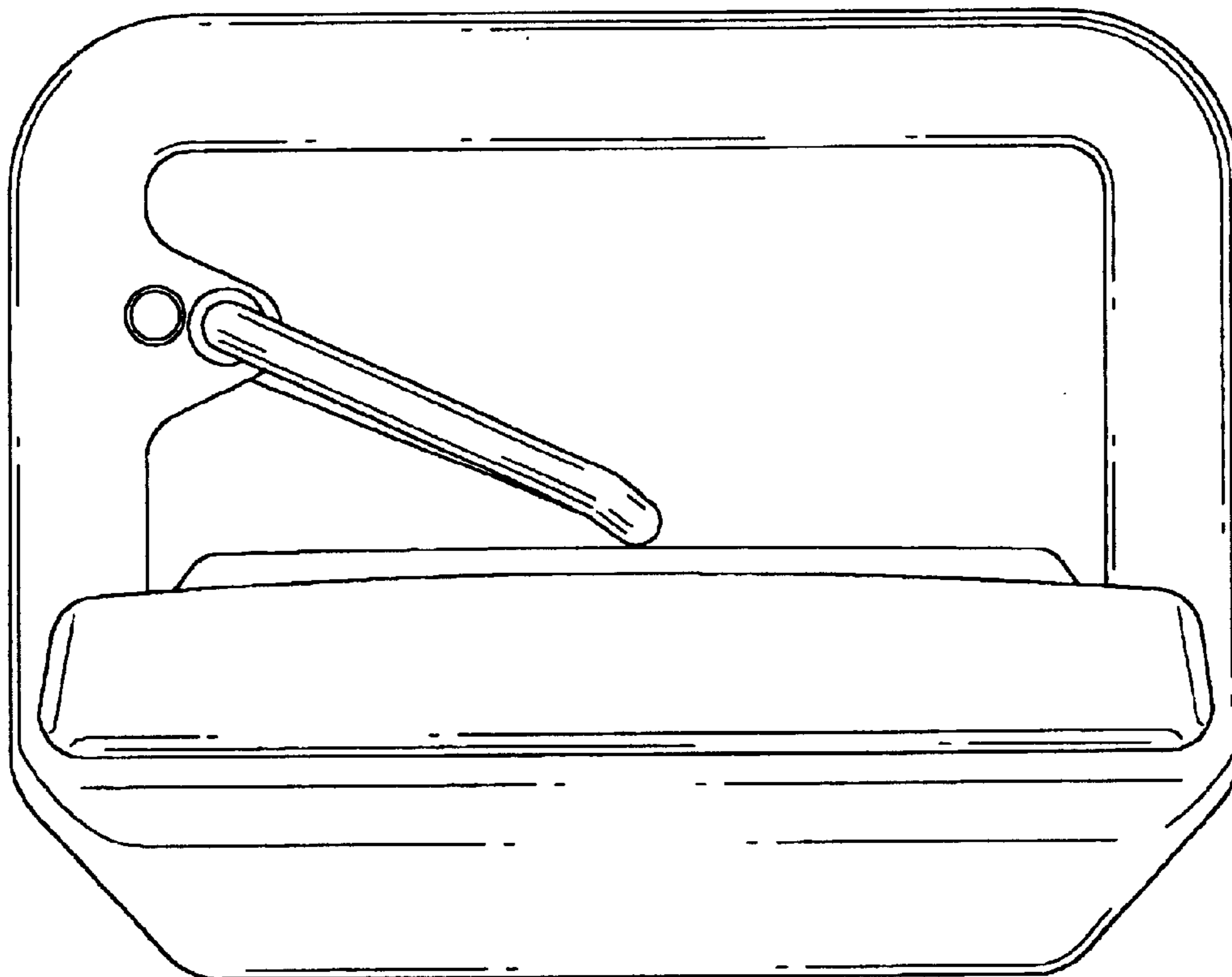


FIG. 7

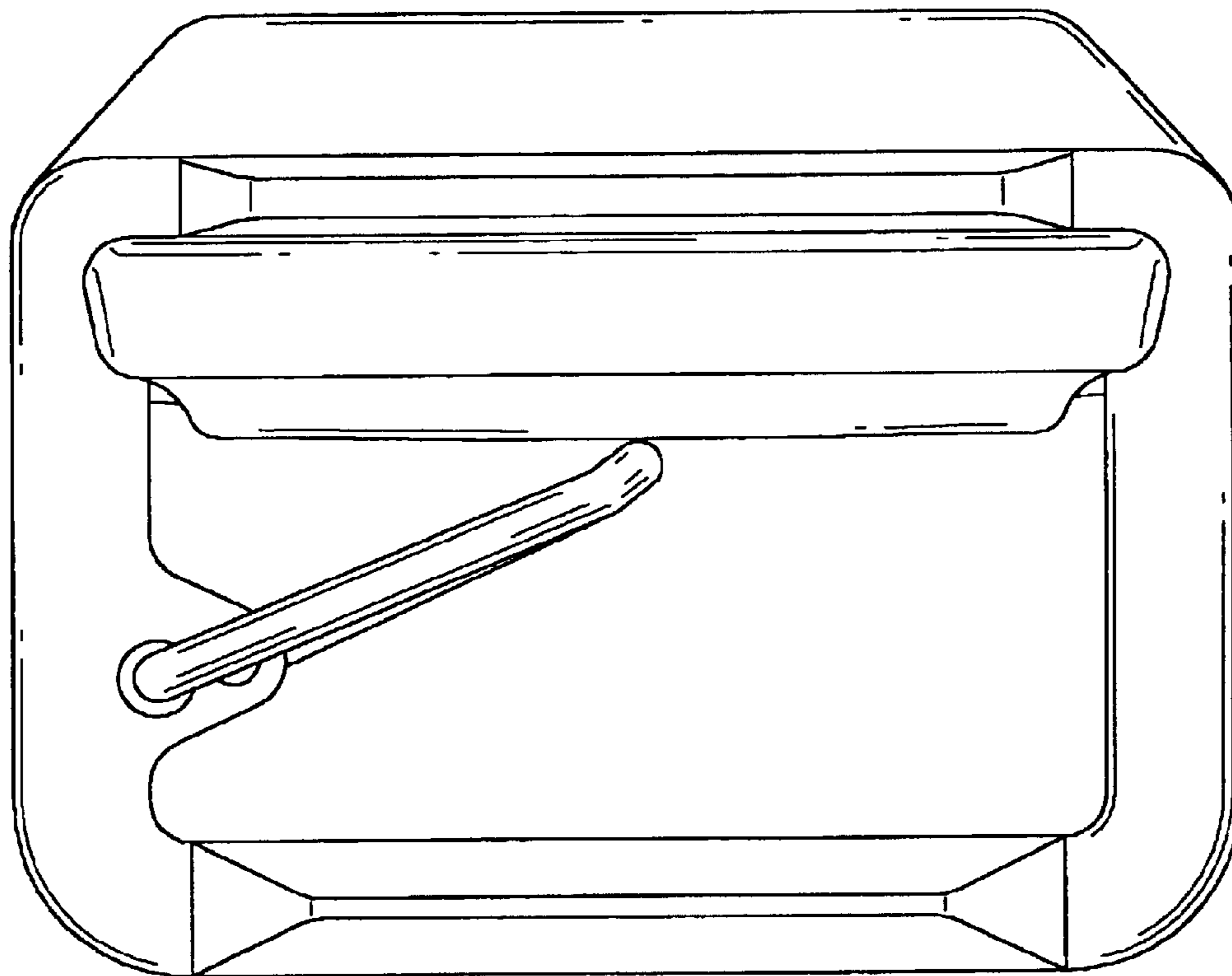


FIG. 8

