



US00D515913S

(12) **United States Design Patent**  
**Guttman et al.**

(10) **Patent No.: US D515,913 S**

(45) **Date of Patent: \*\* Feb. 28, 2006**

(54) **CASTER**

(75) Inventors: **Craig J. Guttman**, Thornhill (CA);  
**Sean Guttman**, Thornhill (CA); **Peter Depinto**, Brampton (CA); **Csaba Lemak**, Richmond Hill (CA)

(73) Assignee: **Algood Casters Limited**, Toronto (CA)

(\*\*) Term: **14 Years**

(21) Appl. No.: **29/227,198**

(22) Filed: **Apr. 8, 2005**

(30) **Foreign Application Priority Data**

Feb. 17, 2005 (CA) ..... 110131

(51) **LOC (8) Cl. .... 08-05**

(52) **U.S. Cl. .... D8/375**

(58) **Field of Classification Search** ..... D8/374;  
16/18 CG, 45-47

See application file for complete search history.

(56) **References Cited**

**U.S. PATENT DOCUMENTS**

D343,787 S 2/1994 Finkeldey  
D347,162 S 5/1994 Simonsen

D349,043 S 7/1994 Carlson  
D404,291 S \* 1/1999 Tieken ..... D8/375  
D463,257 S \* 9/2002 Stickel ..... D8/375

\* cited by examiner

*Primary Examiner*—Holly H. Baynham

(74) *Attorney, Agent, or Firm*—Riches, McKenzie & Herbert LLP

(57) **CLAIM**

I claim the ornamental design for a caster, as shown and described.

**DESCRIPTION**

FIG. 1 is a perspective view of a caster showing my new design;

FIG. 2 is a front elevation view thereof;

FIG. 3 is a left side elevation view thereof;

FIG. 4 is a top plan view thereof;

FIG. 5 is a right side elevation view thereof;

FIG. 6 is a bottom plan view thereof; and,

FIG. 7 is a rear elevation view thereof.

The broken line showing of a caster wheel and support plate is for illustrative purposes only and forms no part of the claimed design.

**1 Claim, 4 Drawing Sheets**

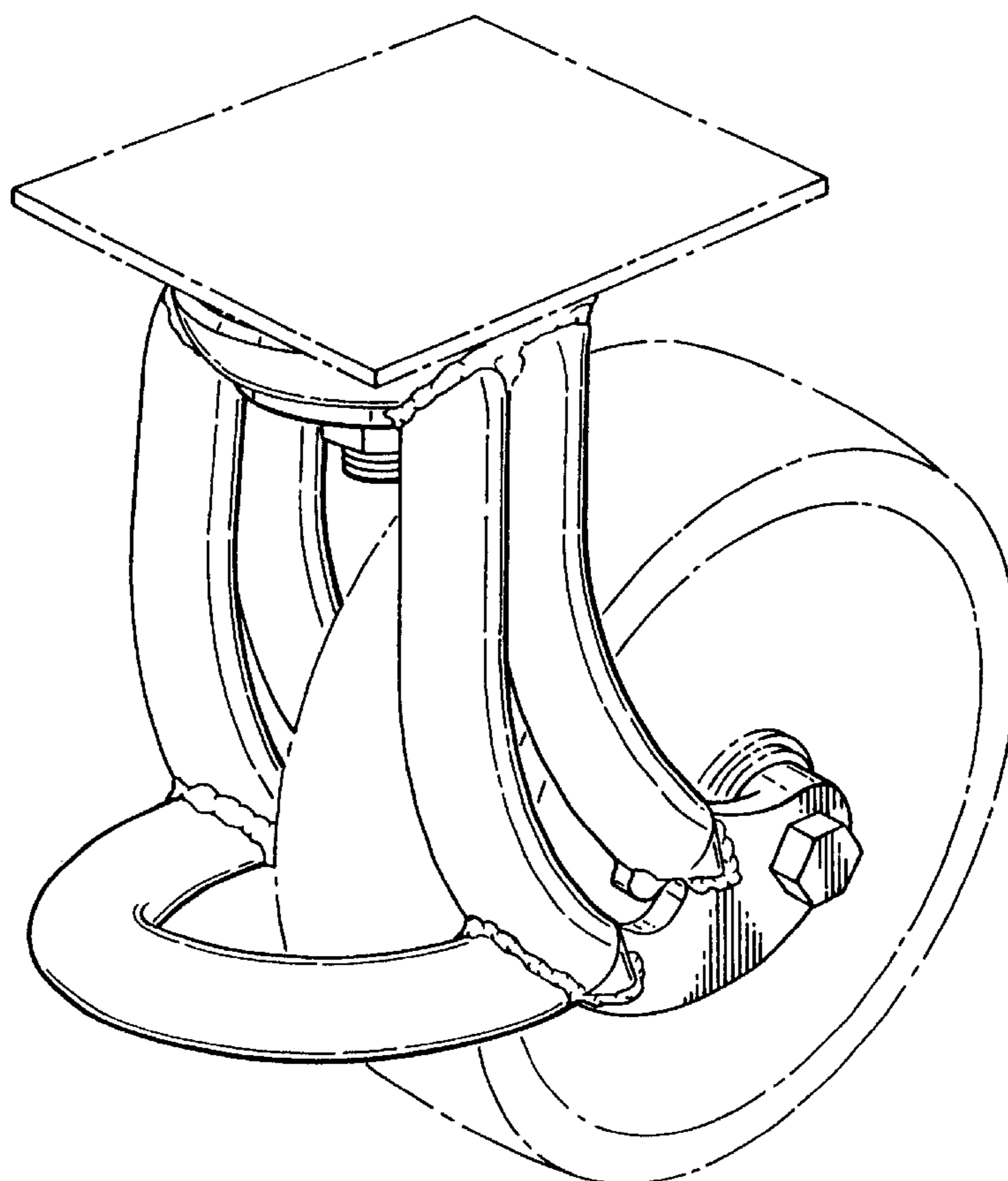
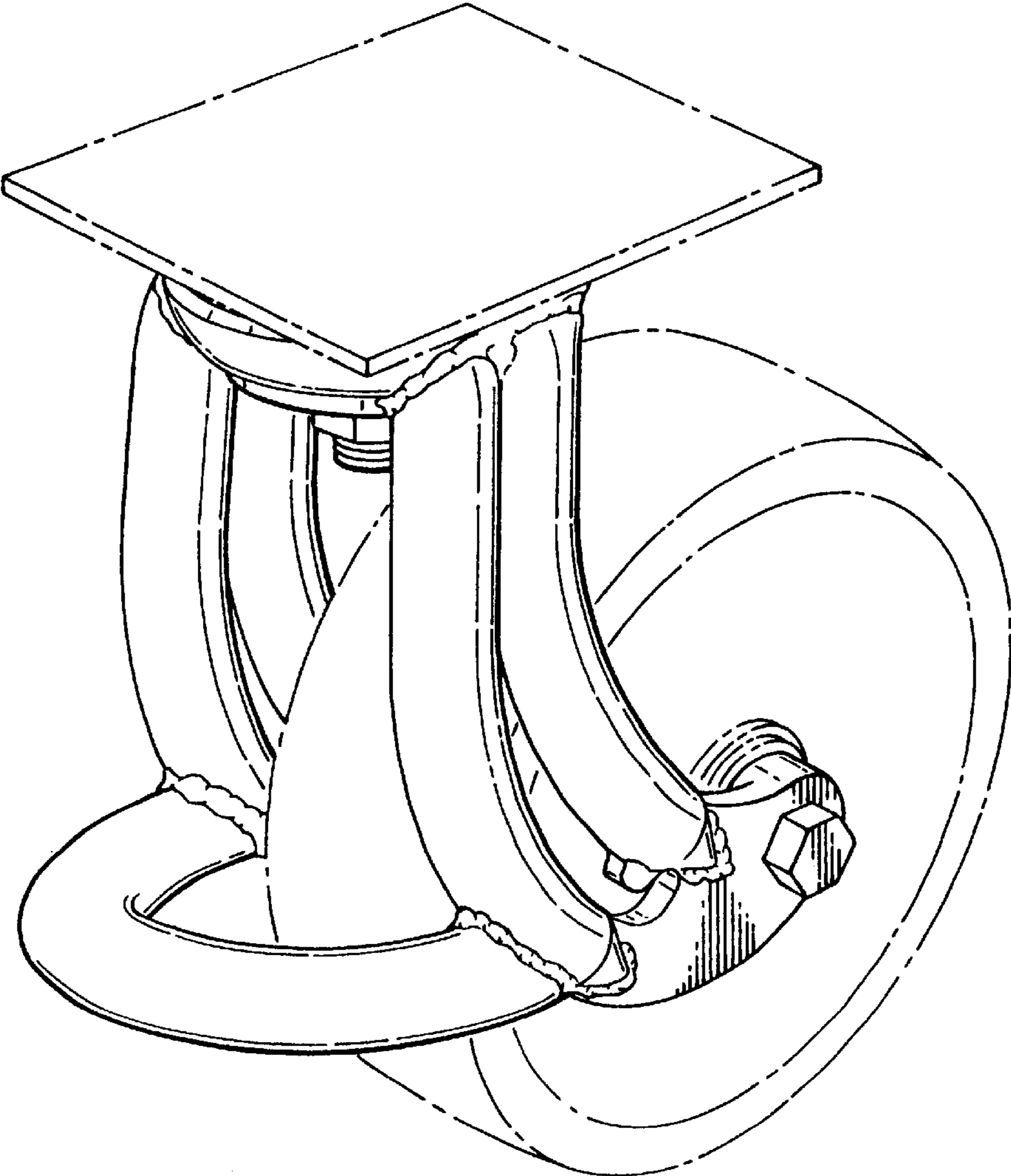


FIG. 1



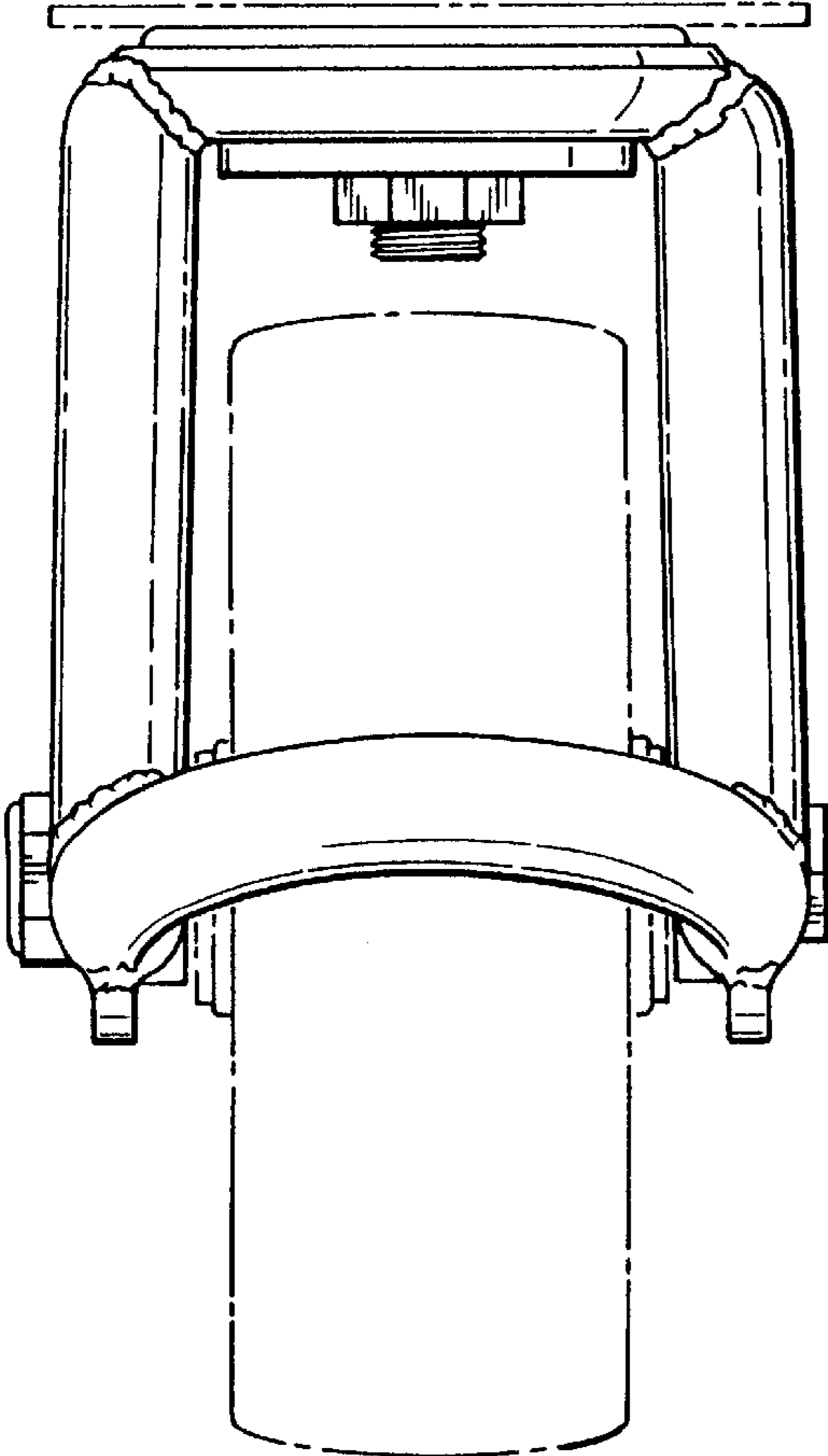


FIG. 2

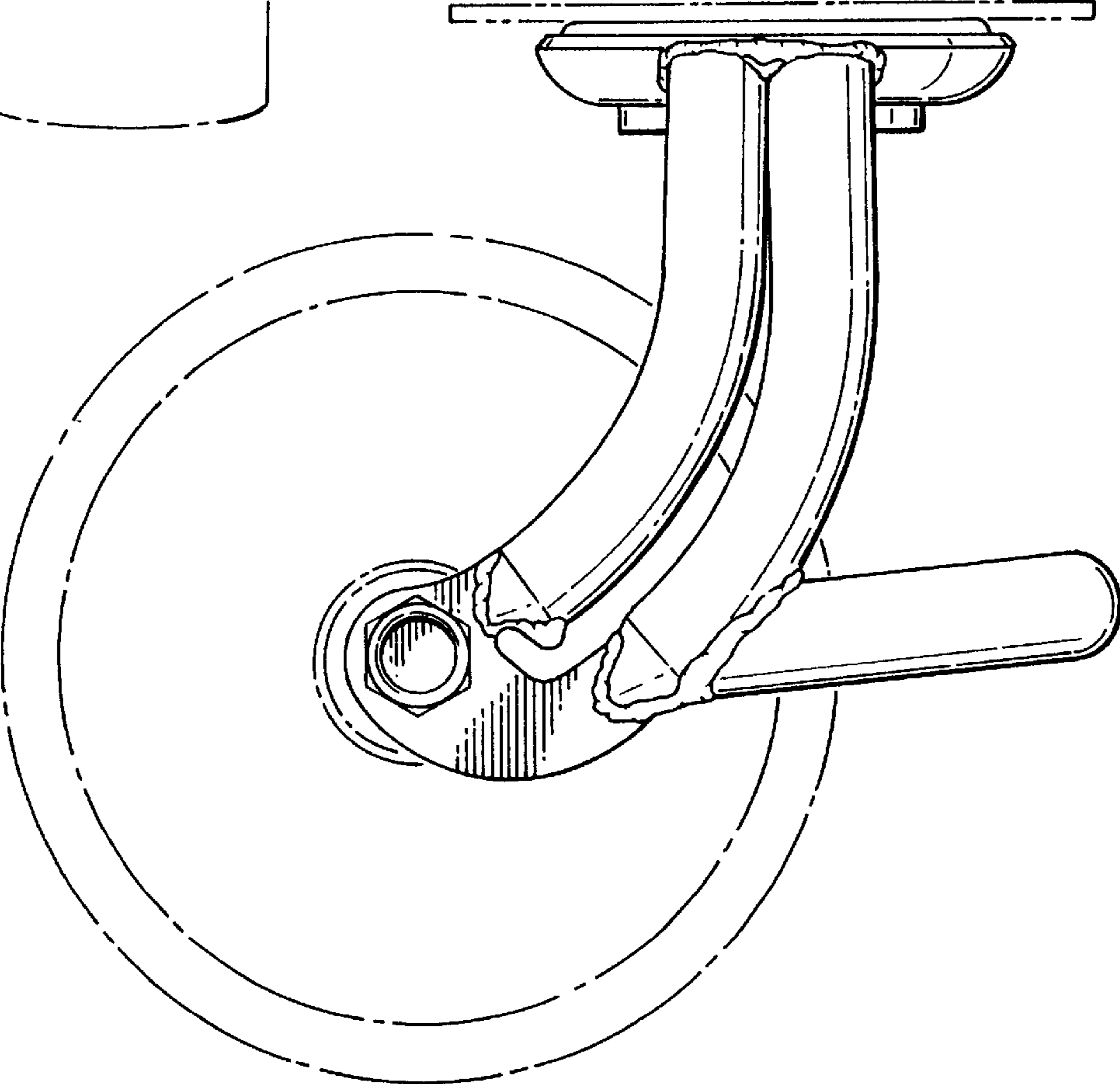


FIG. 3

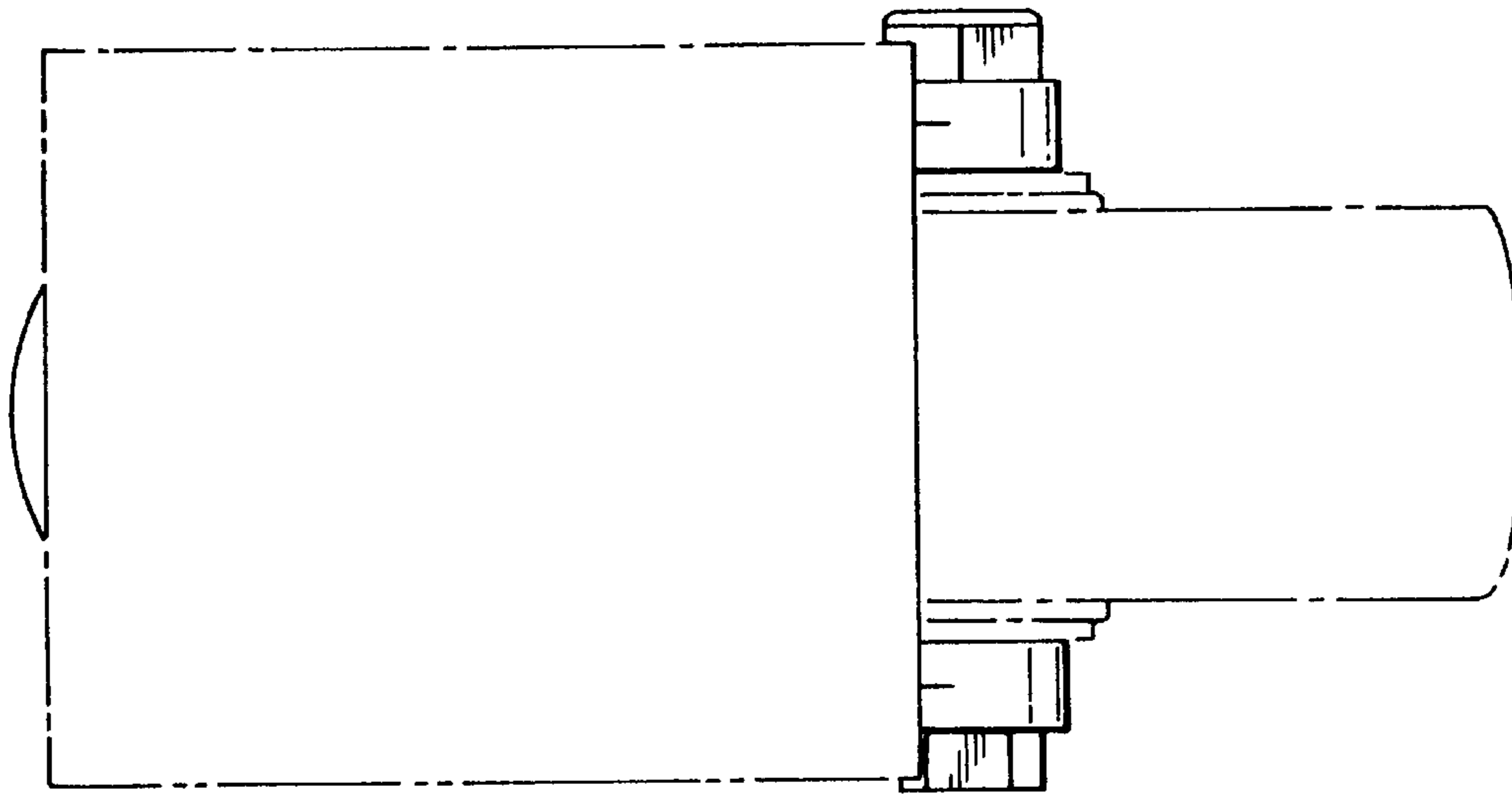


FIG. 4

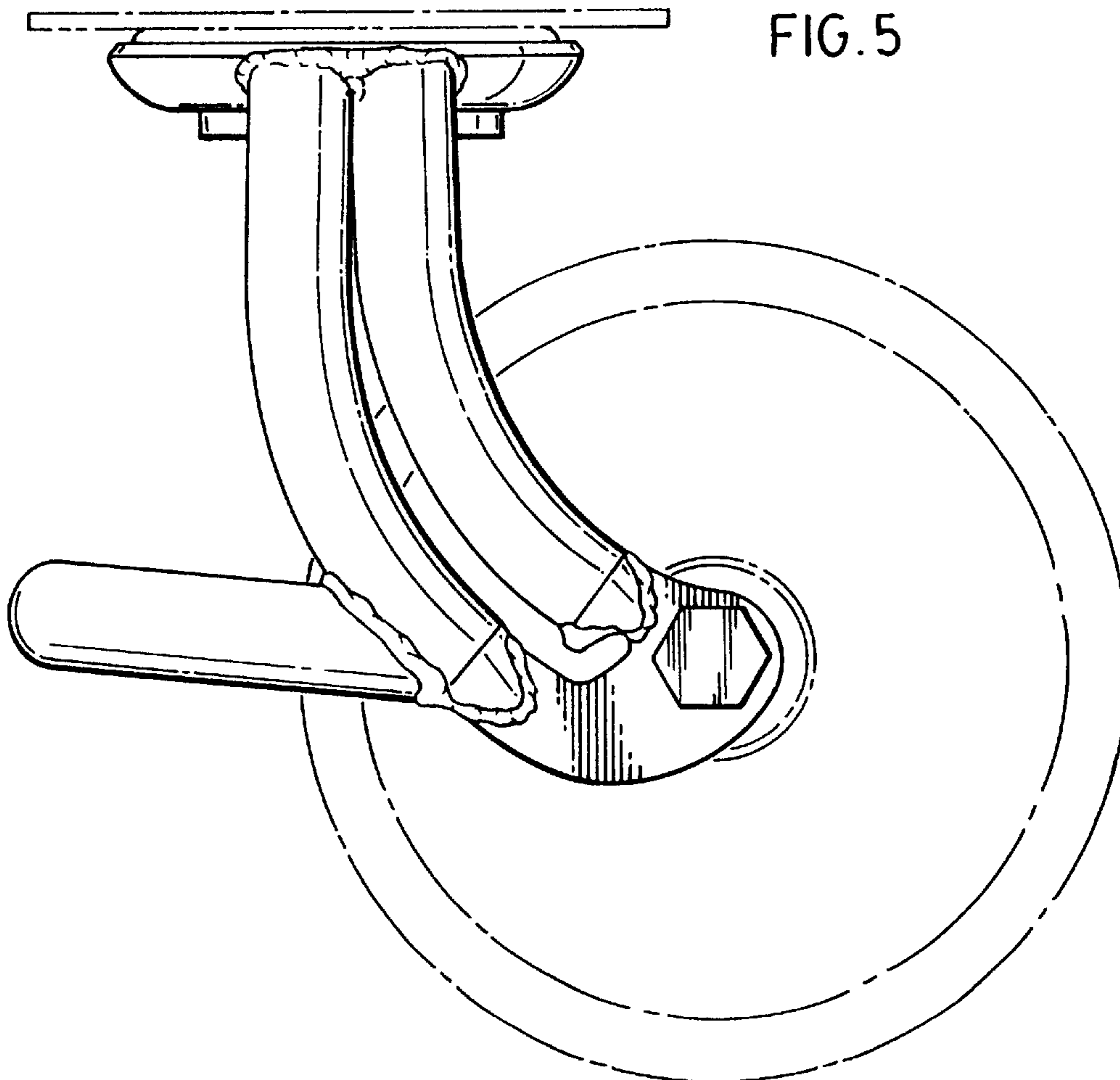


FIG. 5

FIG.6

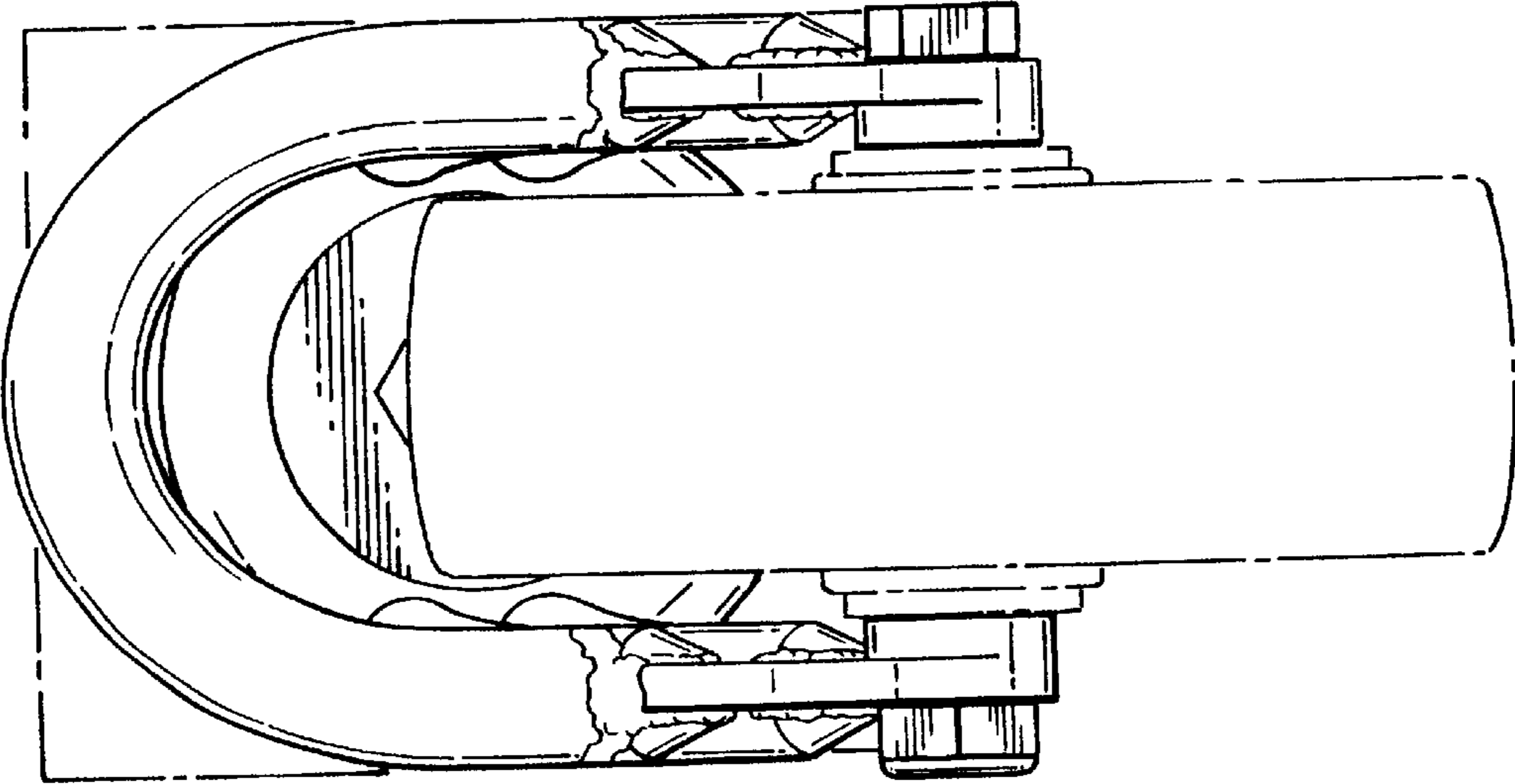


FIG.7

