



US00D515910S

(12) **United States Design Patent**  
**Gates et al.**

(10) **Patent No.:** **US D515,910 S**  
(45) **Date of Patent:** **\*\* Feb. 28, 2006**

- (54) **MOUNTING BRACKET**
  - (75) Inventors: **George D. Gates**, West Jordan, UT (US); **Travis D. Gates**, West Jordan, UT (US)
  - (73) Assignee: **All Rite Producs, Inc.**, West Jordan, UT (US)
  - (\*\*) Term: **14 Years**
  - (21) Appl. No.: **29/228,175**
  - (22) Filed: **Apr. 20, 2005**
  - (51) **LOC (8) Cl.** ..... **08-05**
  - (52) **U.S. Cl.** ..... **D8/354**
  - (58) **Field of Classification Search** ..... D8/1, D8/349, 354, 356, 367, 371, 373, 374, 380, D8/382, 399, 499; D15/143; 16/2; 224/401; 248/27.1, 200, 300, 309.1; 411/15, 112, 182, 411/427, 510, 531, 546
- See application file for complete search history.

- 6,484,913 B1 \* 11/2002 Hancock et al. .... 224/401
- D466,856 S 12/2002 Gates et al.
- 6,588,637 B2 7/2003 Gates et al.
- D492,893 S \* 7/2004 Oddsen et al. .... D8/354
- D506,918 S \* 7/2005 Nakajima ..... D8/354

\* cited by examiner

*Primary Examiner*—Gary D. Watson  
*Assistant Examiner*—Terrence Huang  
(74) *Attorney, Agent, or Firm*—Thorpe North & Western LLP

(57) **CLAIM**

The ornamental design for a mounting bracket, as shown and described.

**DESCRIPTION**

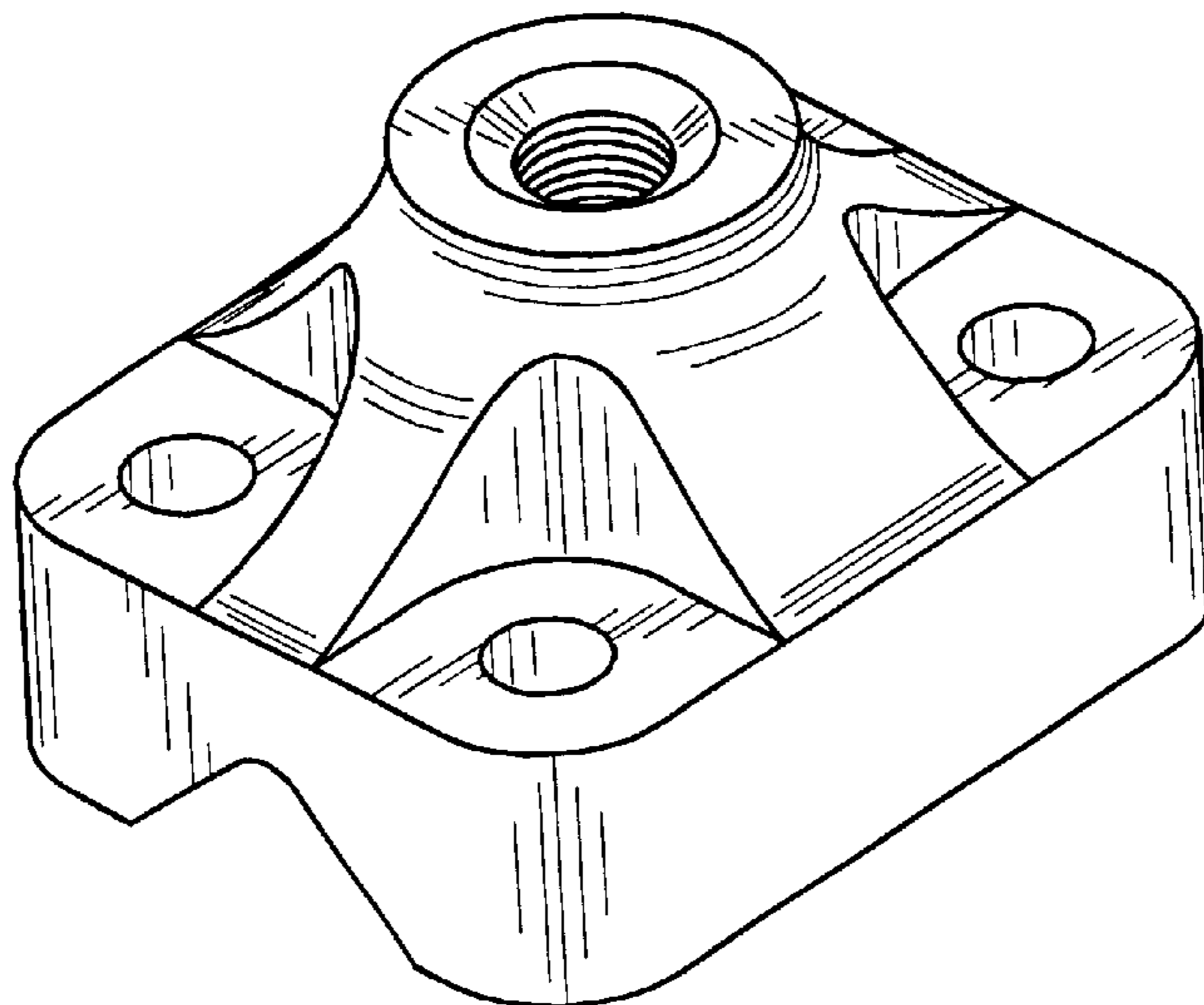
FIG. 1 is a perspective view of the mounting bracket in accordance with our invention;  
FIG. 2 is a top view of the mounting bracket shown in FIG. 1;  
FIG. 3 is a bottom view of the mounting bracket shown in FIG. 1;  
FIGS. 4 and 5 are opposing mirror-image front and rear views of the mounting bracket shown in FIG. 1;  
FIGS. 6 and 7 are opposing, mirror-image left and right side views of the mounting bracket shown in FIG. 1;  
FIG. 8 is a perspective view of another embodiment of a mounting bracket in accordance with our invention, with surface treatment utilized to represent contrasting materials;  
FIG. 9 is a top view of the mounting bracket shown in FIG. 8;  
FIG. 10 is a bottom view of the mounting bracket shown in FIG. 8;  
FIGS. 11 and 12 are opposing, mirror-image front and rear views of the mounting bracket shown in FIG. 8; and,  
FIGS. 13 and 14 are opposing, mirror-image left and right side views of the mounting bracket shown in FIG. 8.

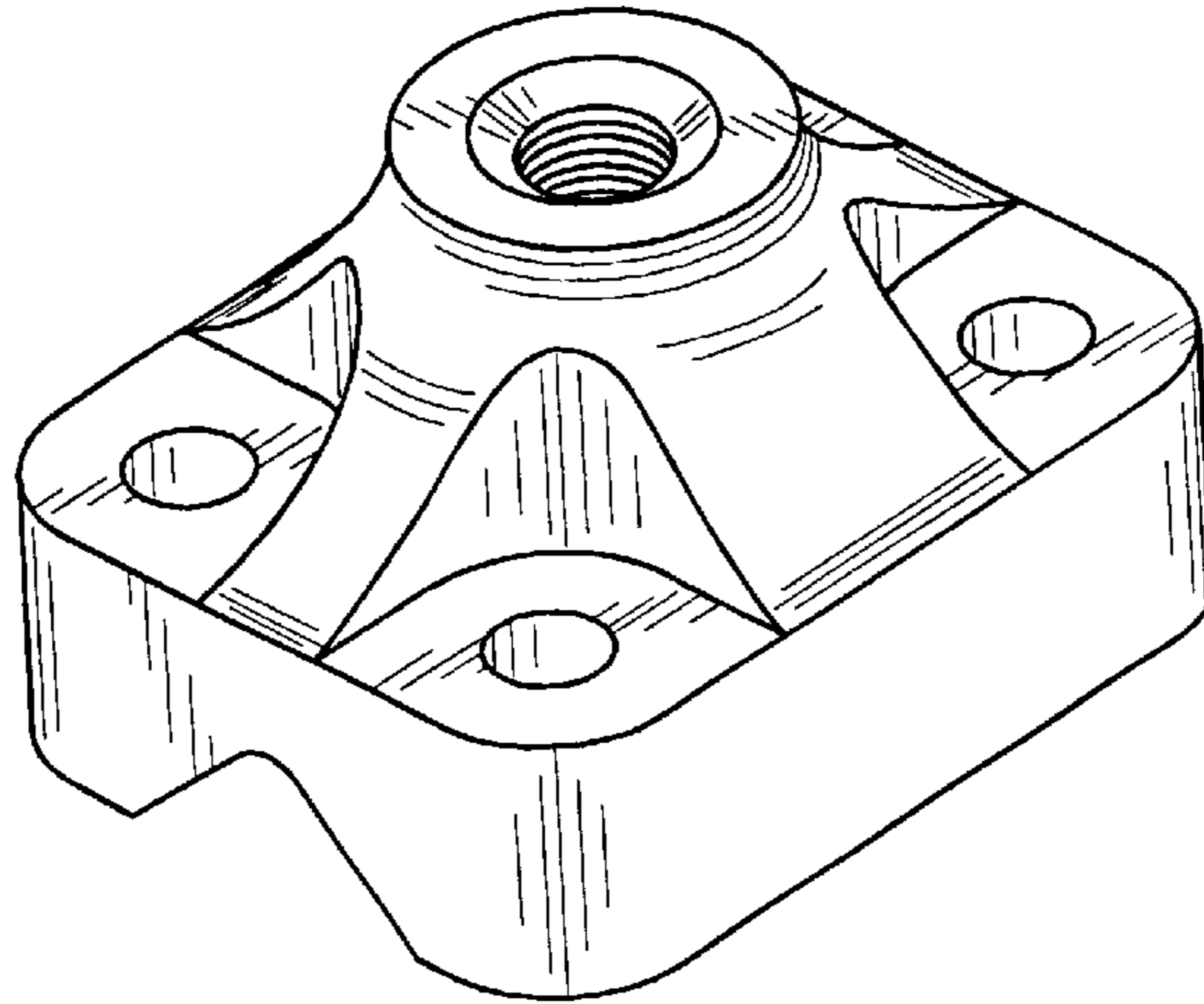
(56) **References Cited**

**U.S. PATENT DOCUMENTS**

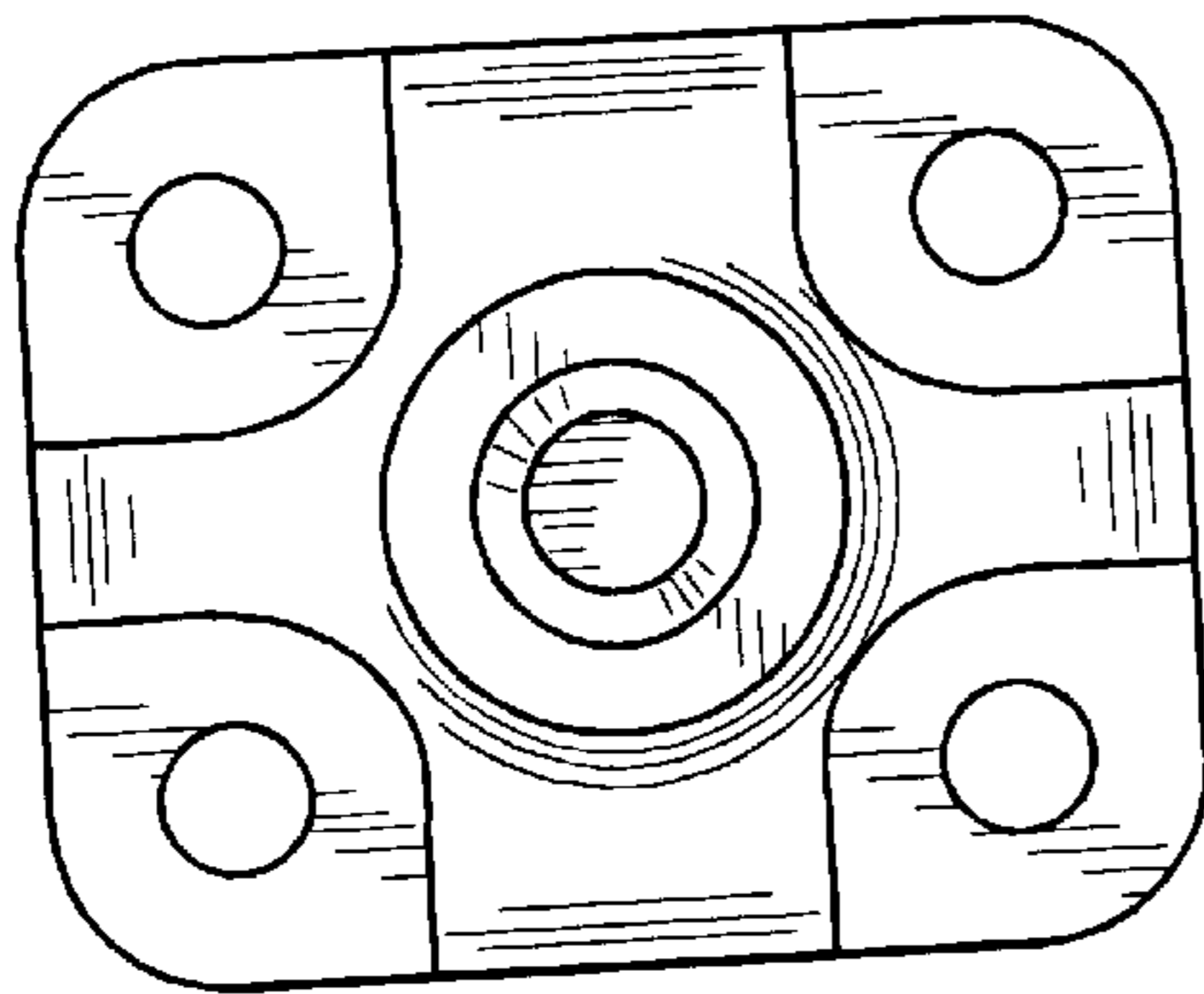
- 2,875,805 A \* 3/1959 Flora ..... 411/111
- 3,076,627 A \* 2/1963 Huron ..... 248/309.1
- D270,516 S \* 9/1983 Achille ..... D8/354
- D287,931 S \* 1/1987 Crone ..... D8/380
- 5,149,040 A \* 9/1992 Heath ..... 248/300
- D347,782 S \* 6/1994 Wentzel ..... D8/354
- D349,038 S \* 7/1994 Sachs ..... D8/356
- D377,448 S \* 1/1997 Nakamura ..... D8/374
- D379,756 S \* 6/1997 Parduhn ..... D8/373
- D386,366 S \* 11/1997 Rimback et al. .... D8/1
- 5,927,667 A \* 7/1999 Swanson ..... 248/300
- 6,109,576 A \* 8/2000 Szewczyk ..... 248/200
- D434,637 S \* 12/2000 Habeck et al. .... D8/349
- 6,209,836 B1 \* 4/2001 Swanson ..... 248/300
- D453,102 S \* 1/2002 Postelwait ..... D8/349
- D464,557 S \* 10/2002 Alejandro ..... D8/349

**1 Claim, 2 Drawing Sheets**

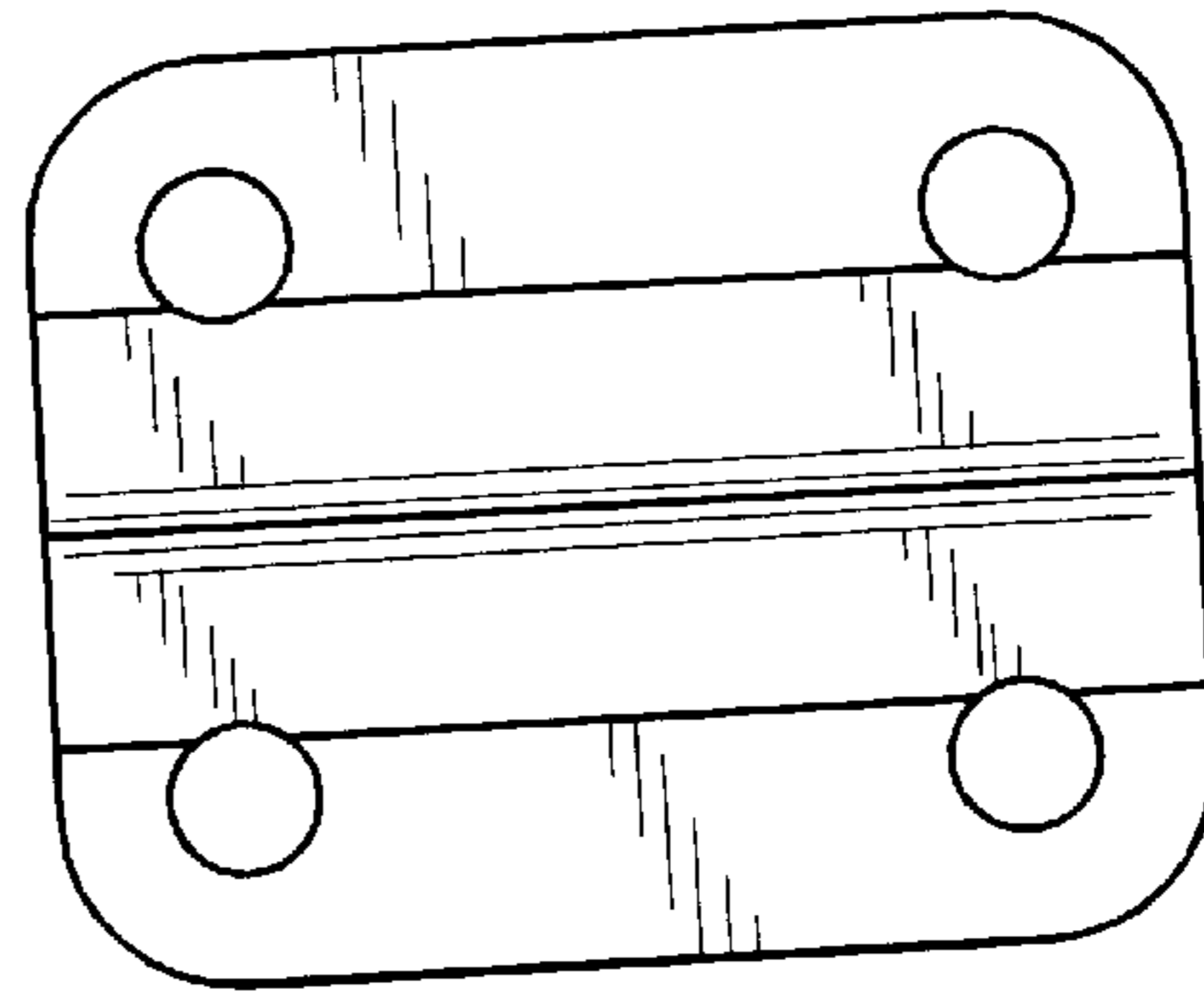




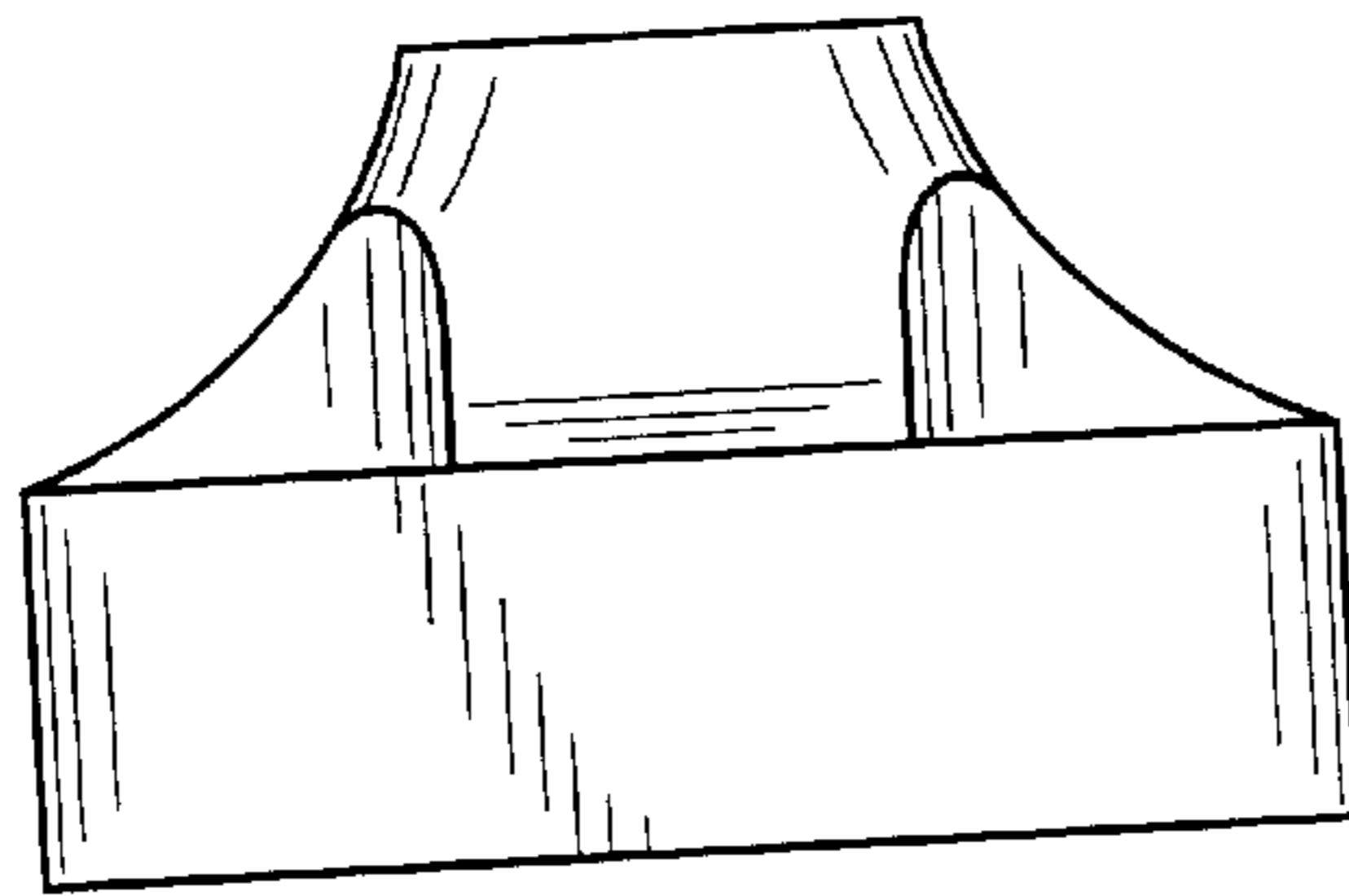
**FIG. 1**



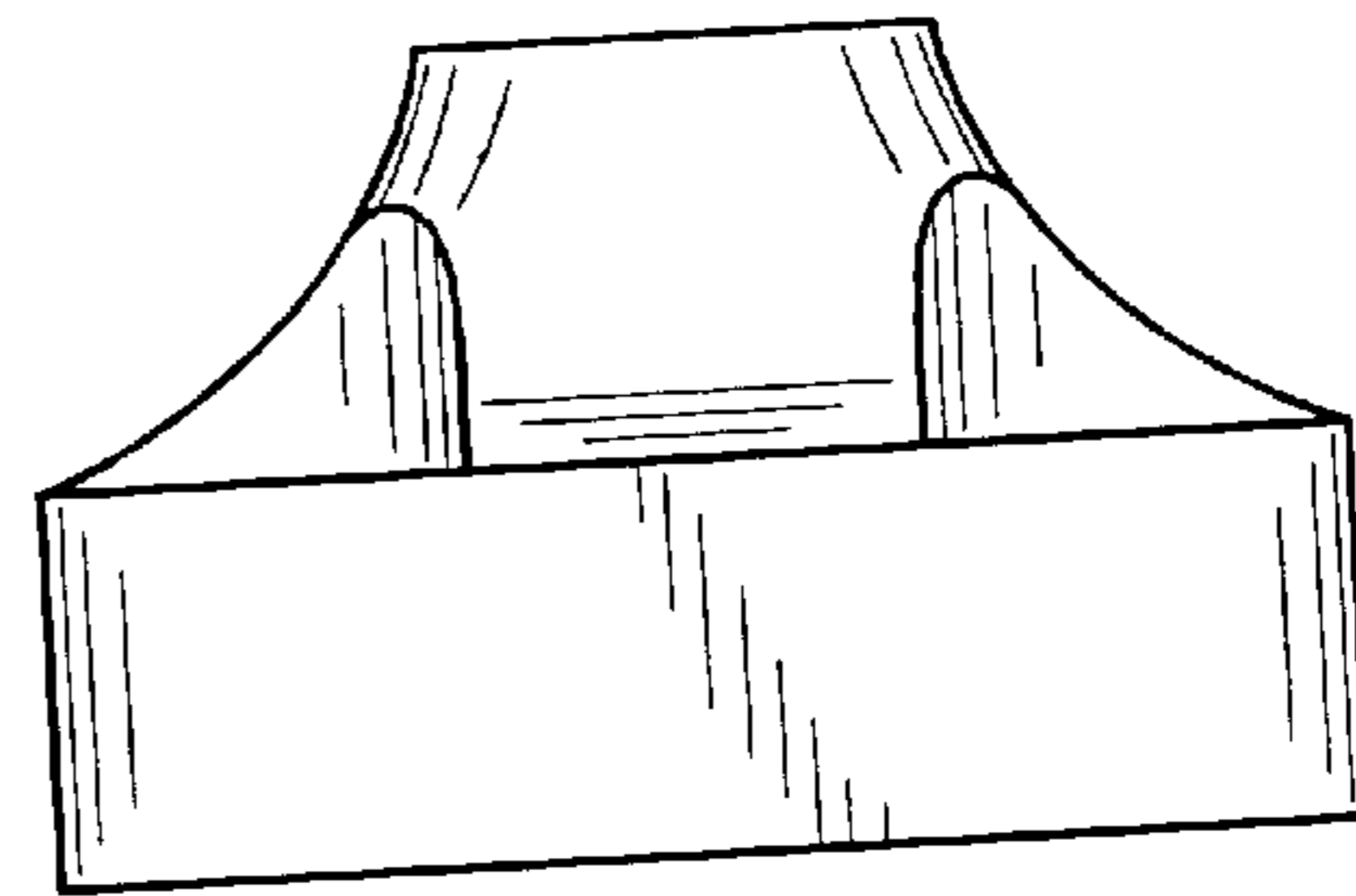
**FIG. 2**



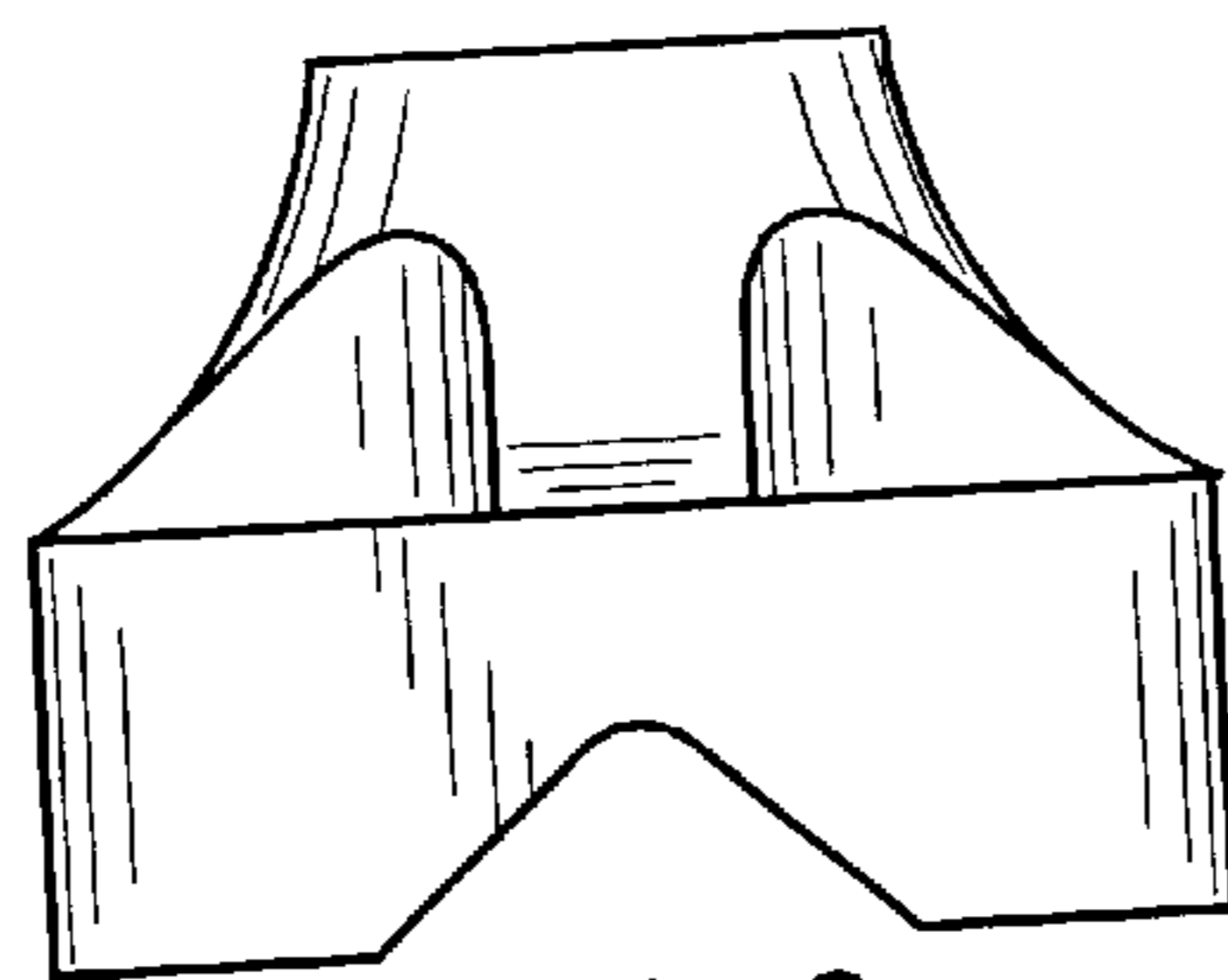
**FIG. 3**



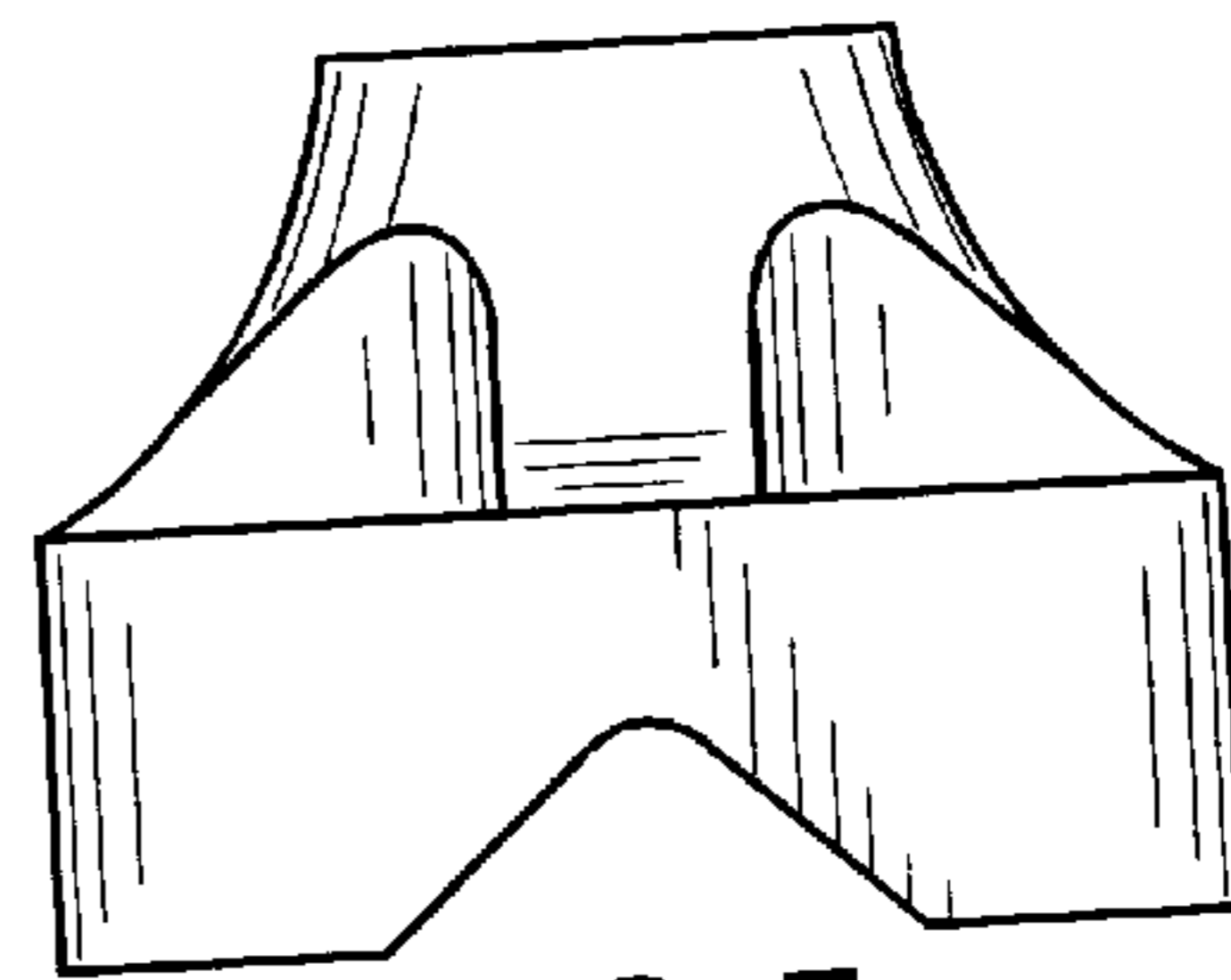
**FIG. 4**



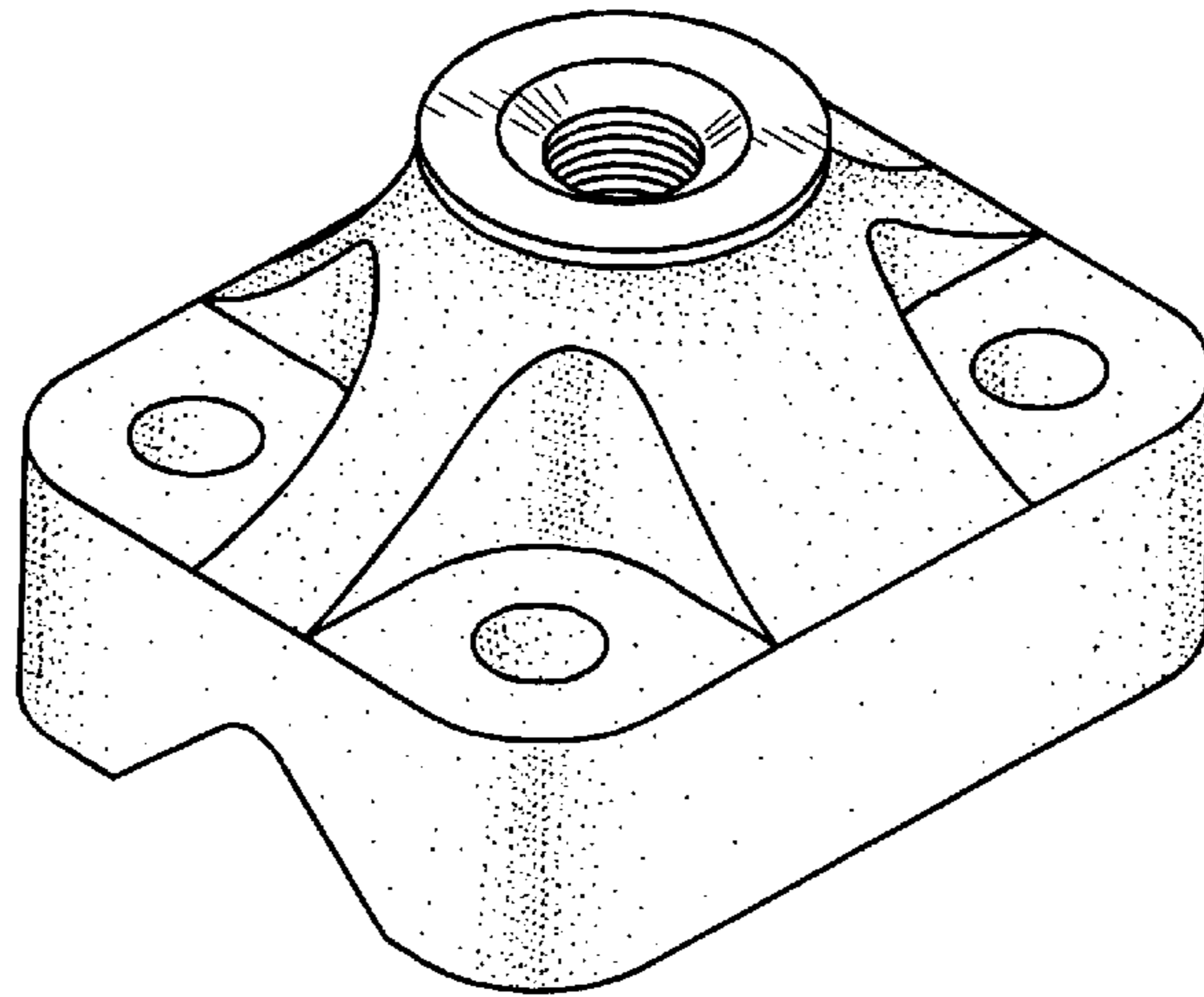
**FIG. 5**



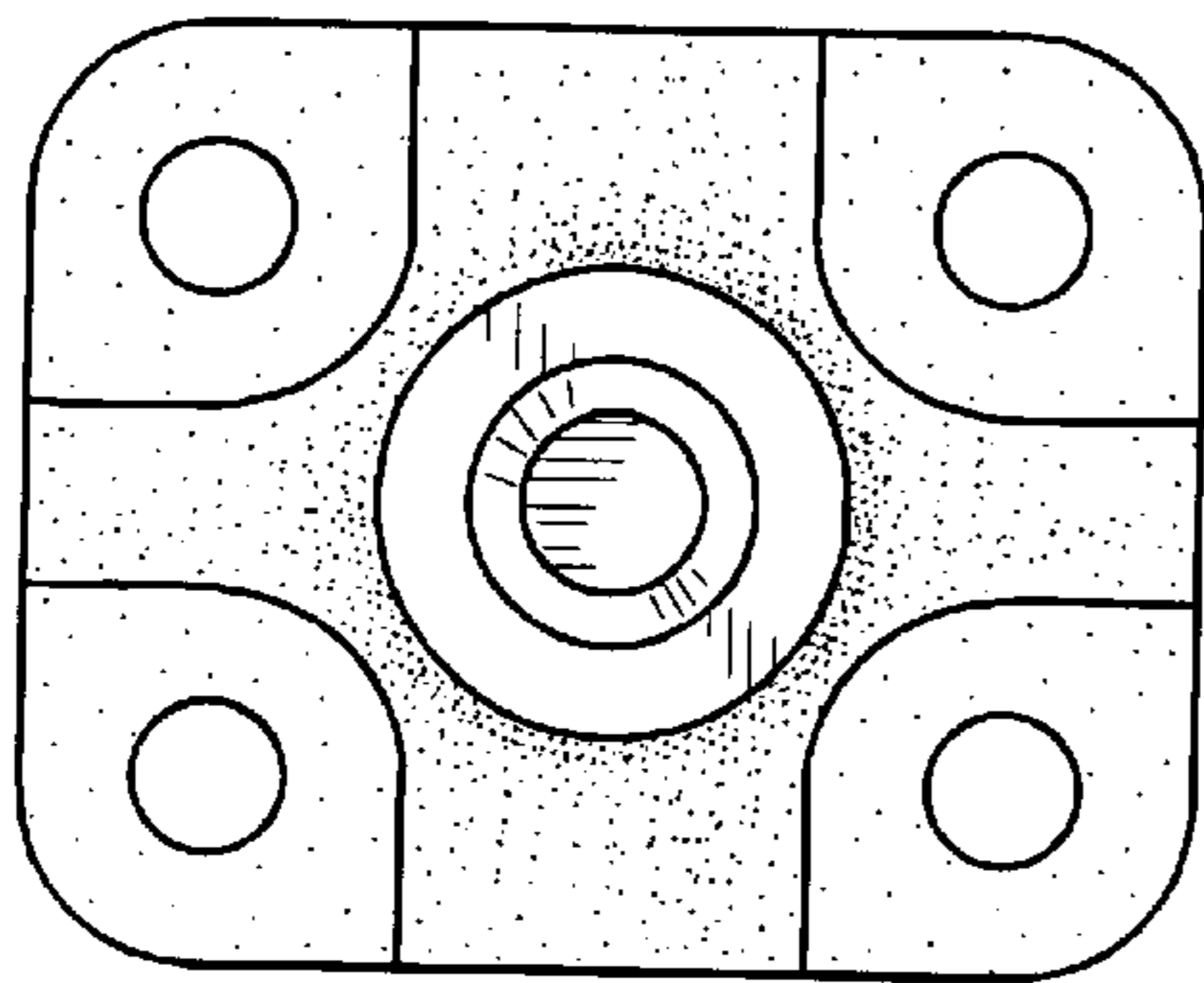
**FIG. 6**



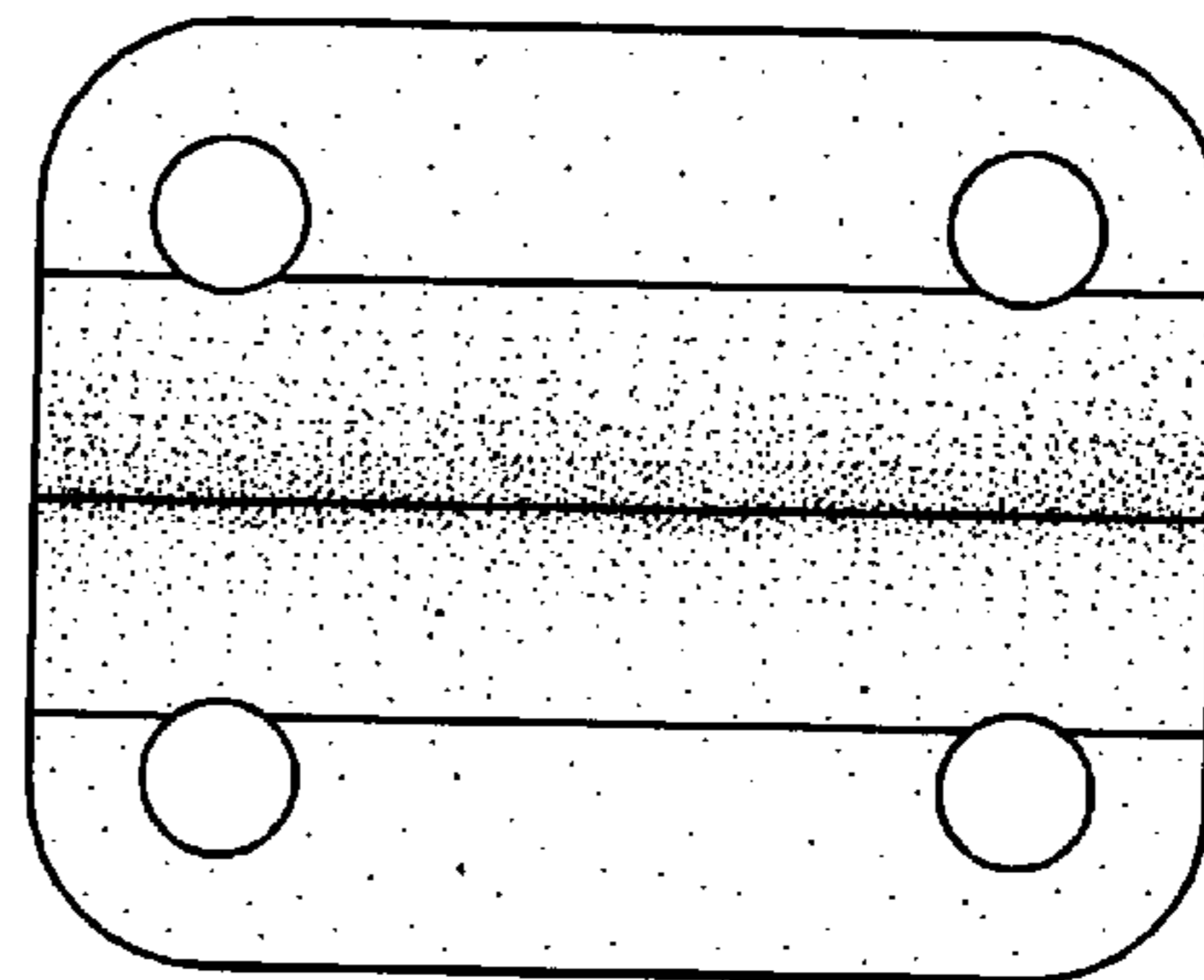
**FIG. 7**



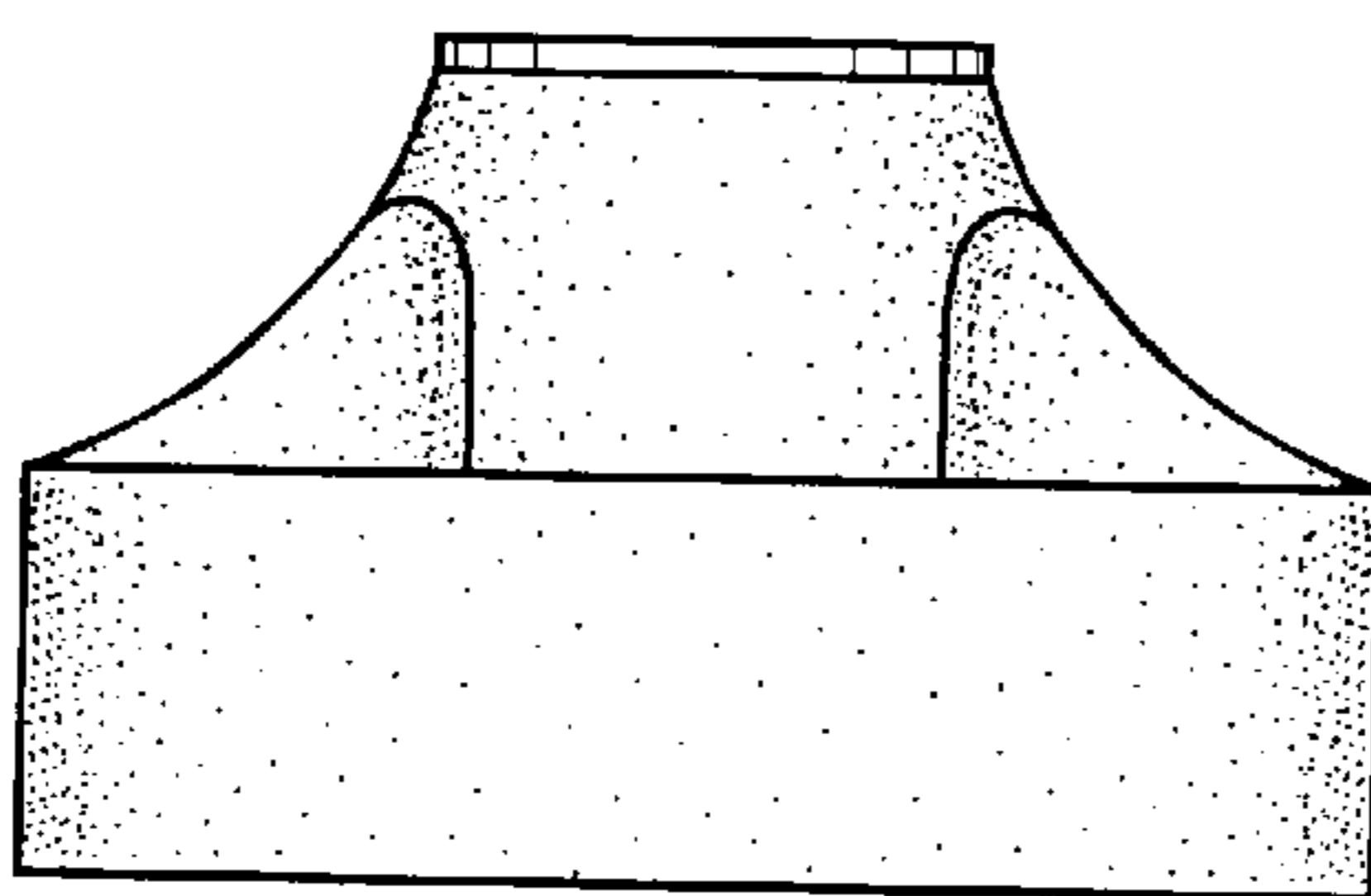
**FIG. 8**



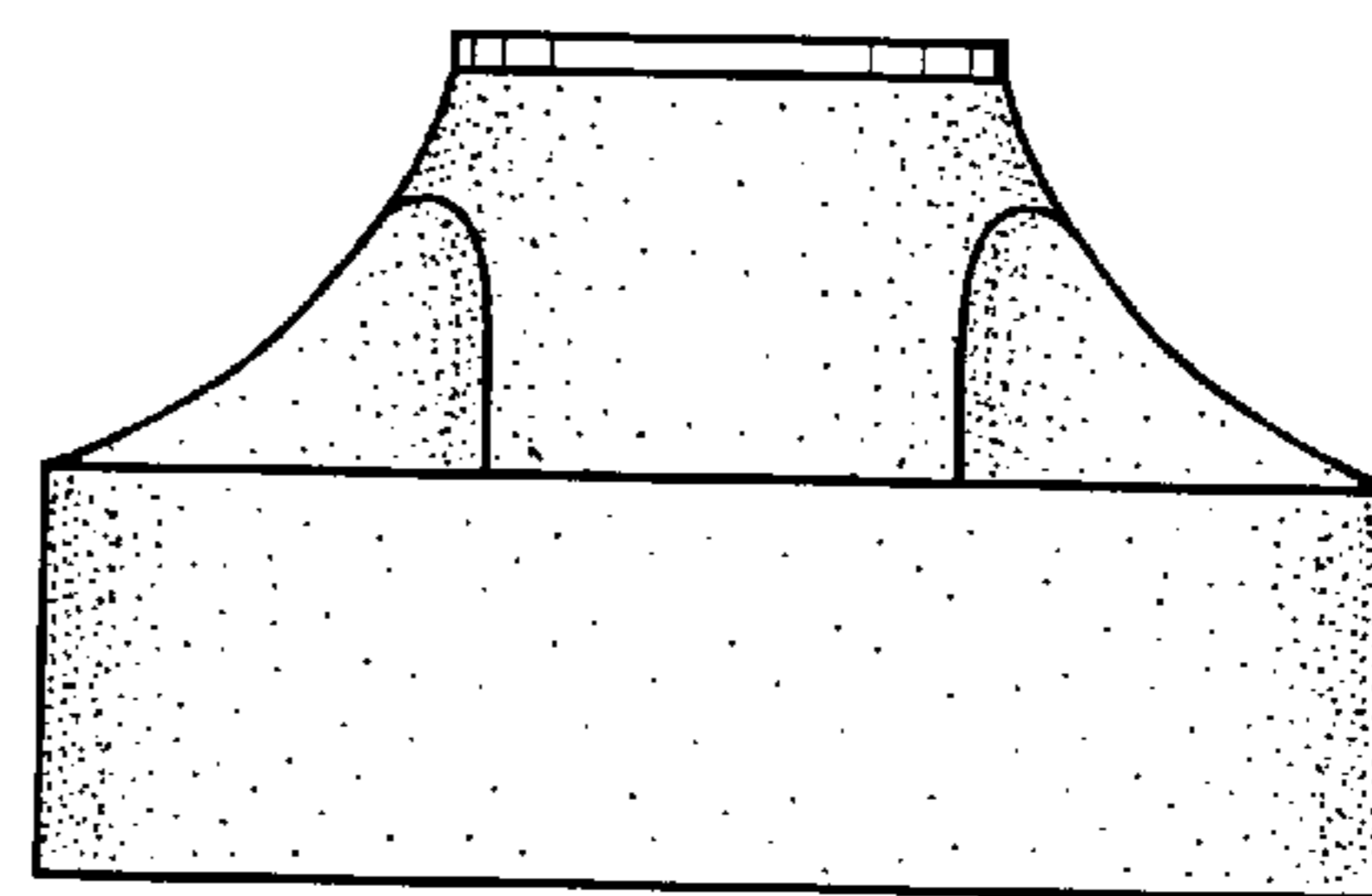
**FIG. 9**



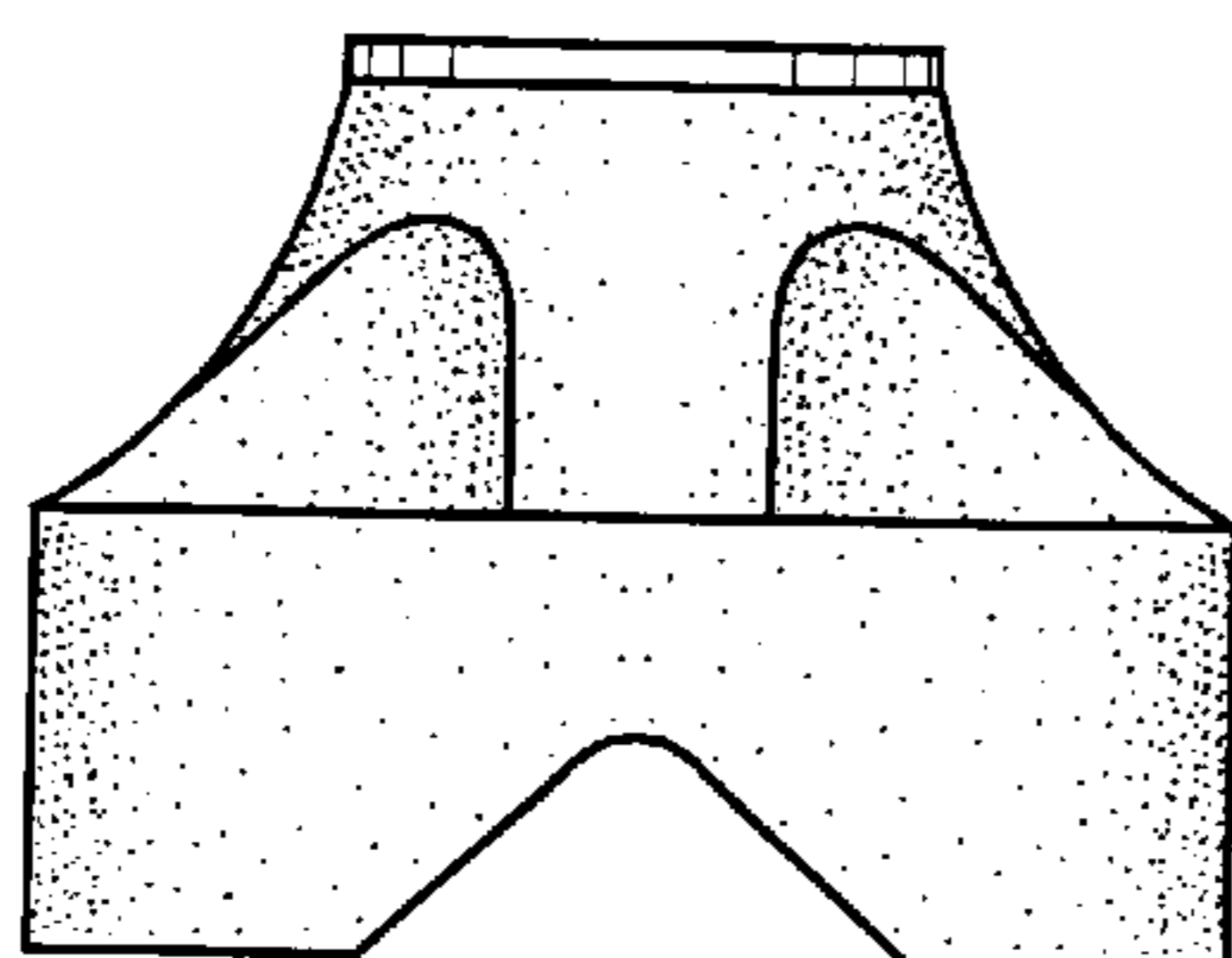
**FIG. 10**



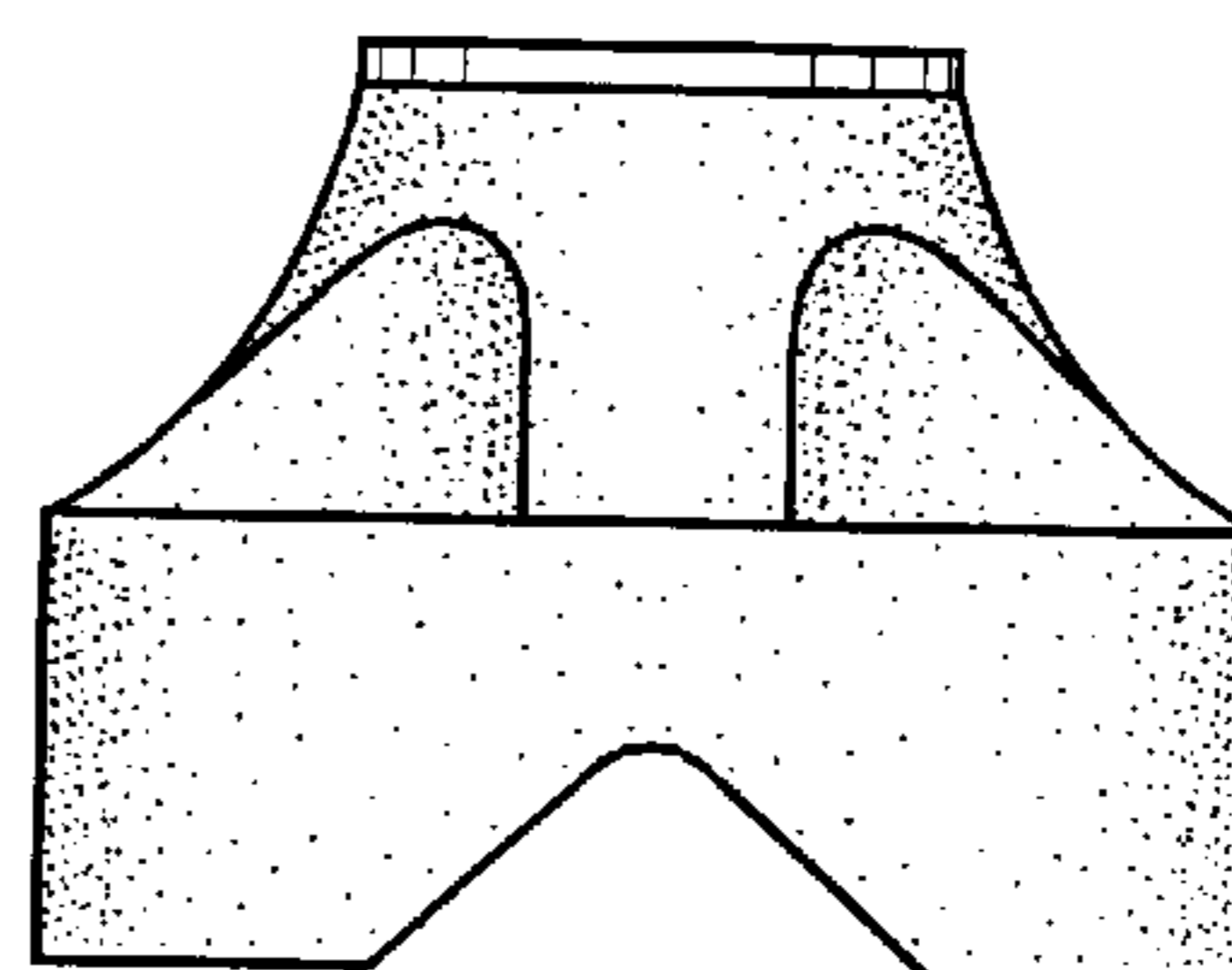
**FIG. 11**



**FIG. 12**



**FIG. 13**



**FIG. 14**