



US00D515909S

(12) **United States Design Patent**
Leung

(10) **Patent No.:** **US D515,909 S**

(45) **Date of Patent:** **** Feb. 28, 2006**

(54) **SLOT MACHINE LATCH**

(75) **Inventor:** **Thomas Leung, Kowloon (HK)**

(73) **Assignee:** **Wincome Metal & Plastic Manufacturing Limited, Kowloon (HK)**

(**) **Term:** **14 Years**

(21) **Appl. No.:** **29/213,656**

(22) **Filed:** **Sep. 22, 2004**

(51) **LOC (8) Cl.** **08-07**

(52) **U.S. Cl.** **D8/335; D8/334; D8/331**

(58) **Field of Classification Search** **D8/330, D8/331, 334, 335, 338; 70/20-22, 57, 57.1, 70/141, 156, 174, 286, 291, 437, 442, 443; D21/325, 369**

See application file for complete search history.

(56) **References Cited**

U.S. PATENT DOCUMENTS

- 3,584,483 A * 6/1971 Orr 70/21
- 3,736,781 A * 6/1973 Foote 70/456 R
- 3,750,431 A * 8/1973 Atkinson 70/21

- 5,524,462 A * 6/1996 Loughlin 70/20
- D488,048 S * 4/2004 Wasson et al. D8/333
- D495,234 S * 8/2004 Fisher et al. D8/333
- D499,634 S * 12/2004 Dolan et al. D8/333

* cited by examiner

Primary Examiner—Prabhakar Deshmukh

(74) *Attorney, Agent, or Firm*—Rabin & Berdo, P.C.

(57) **CLAIM**

The ornamental design for a slot machine latch, as shown and described.

DESCRIPTION

FIG. 1 is a perspective view of a slot machine latch showing my new design;

FIG. 2 is a front view thereof;

FIG. 3 is a front view shown in an unlocked condition thereof;

FIG. 4 is a rear view thereof;

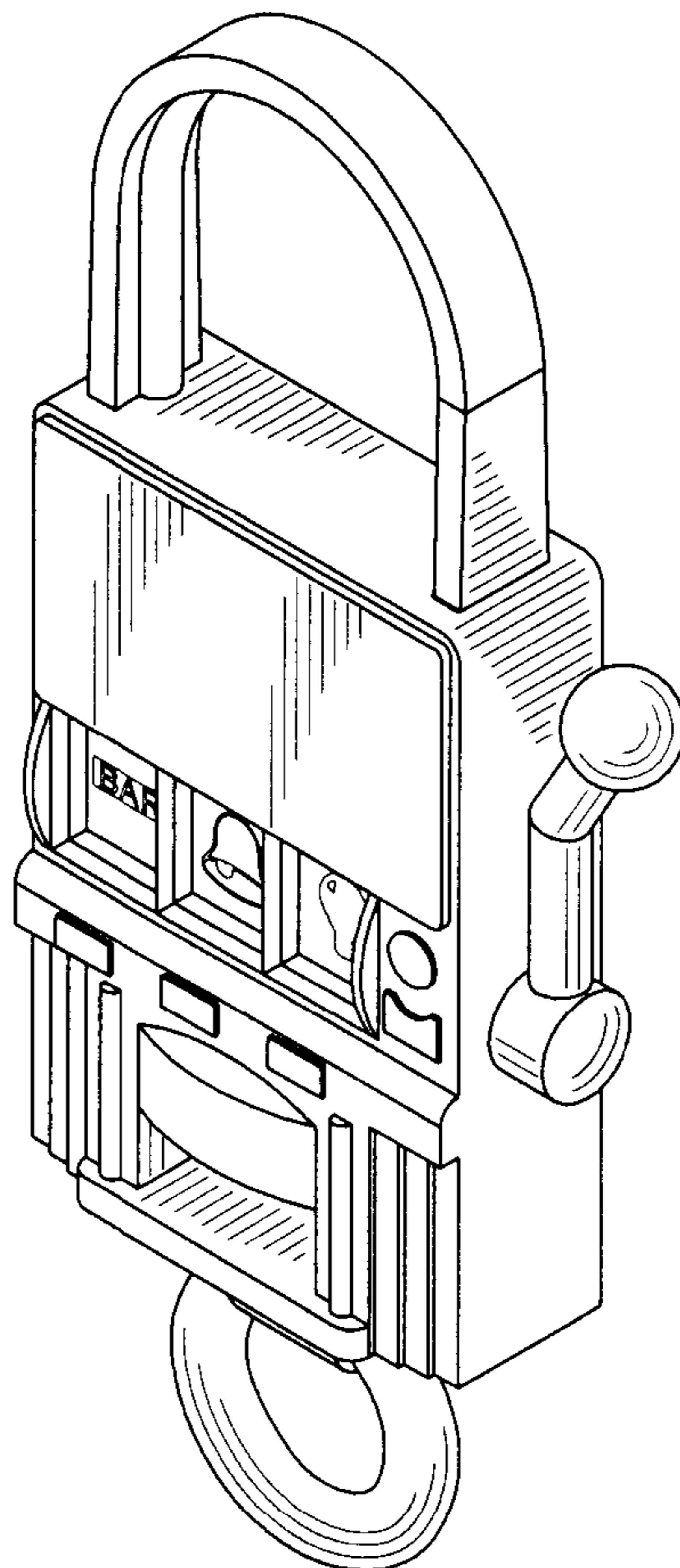
FIG. 5 is a right side view thereof;

FIG. 6 is a left side view thereof;

FIG. 7 is a top view thereof; and,

FIG. 8 is a bottom view thereof.

1 Claim, 8 Drawing Sheets



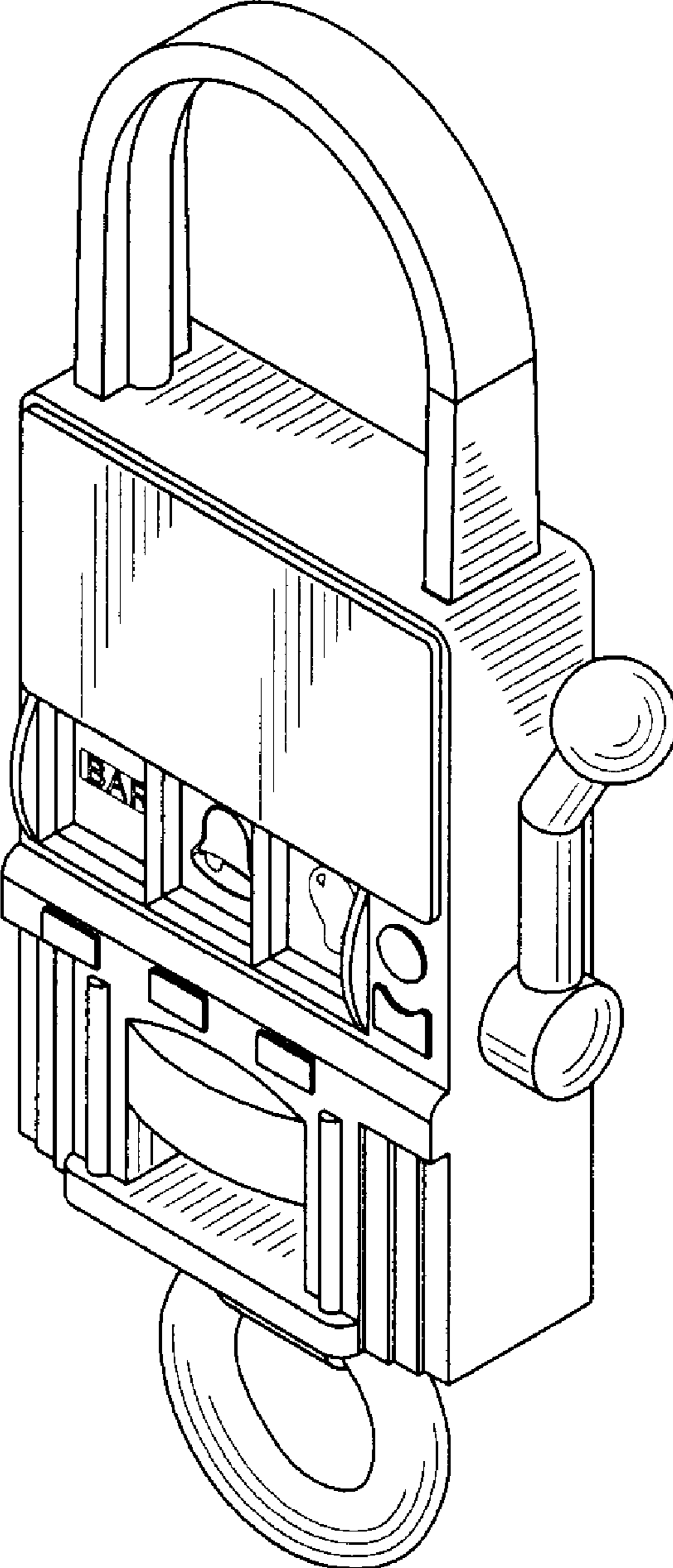


FIG. 1

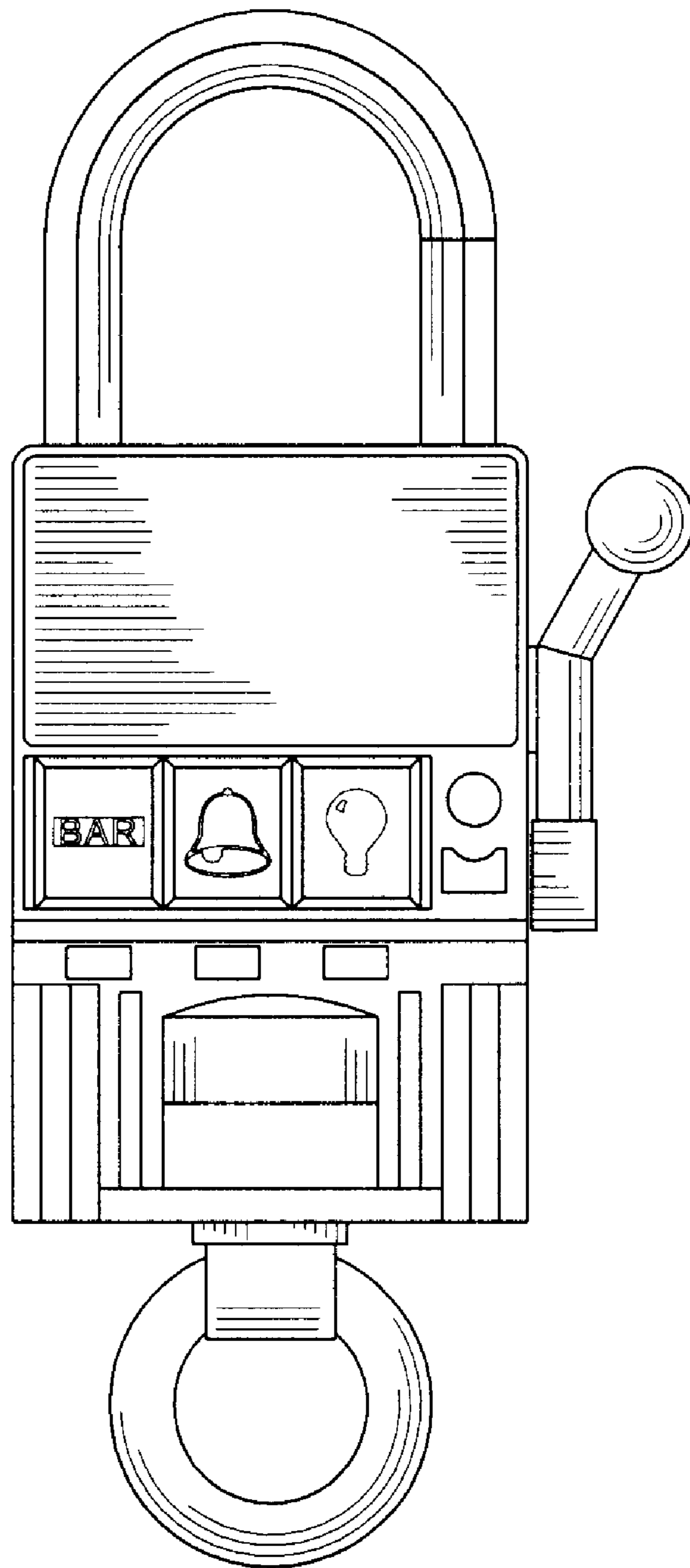


FIG. 2

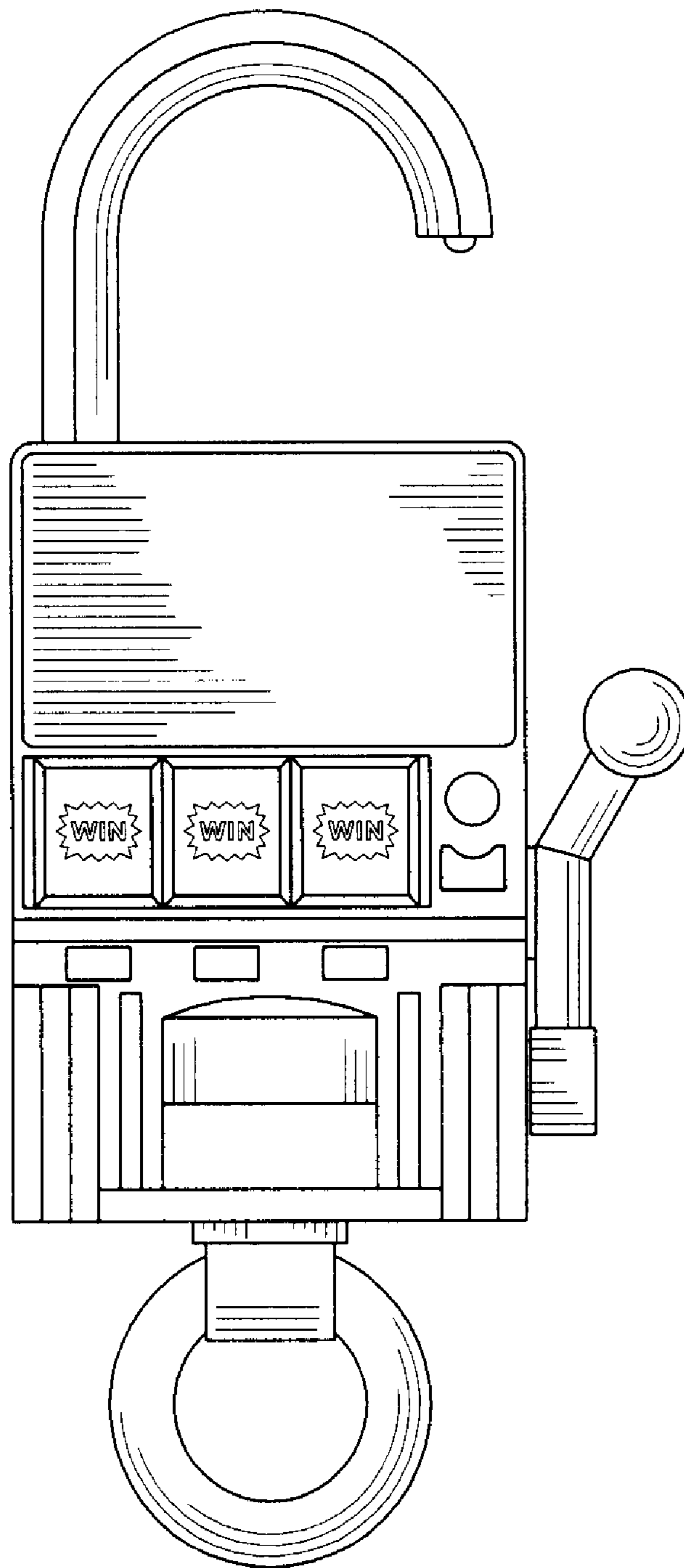


FIG. 3

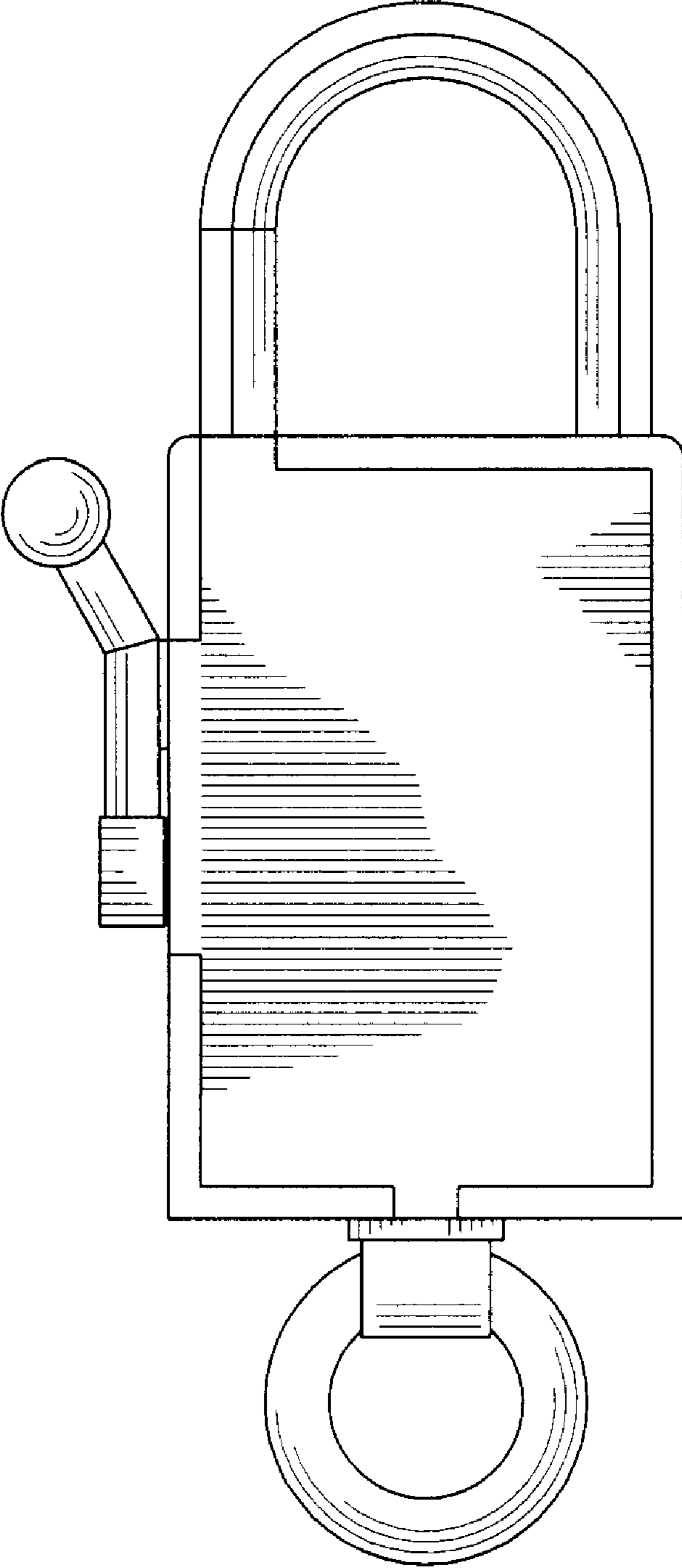


FIG. 4

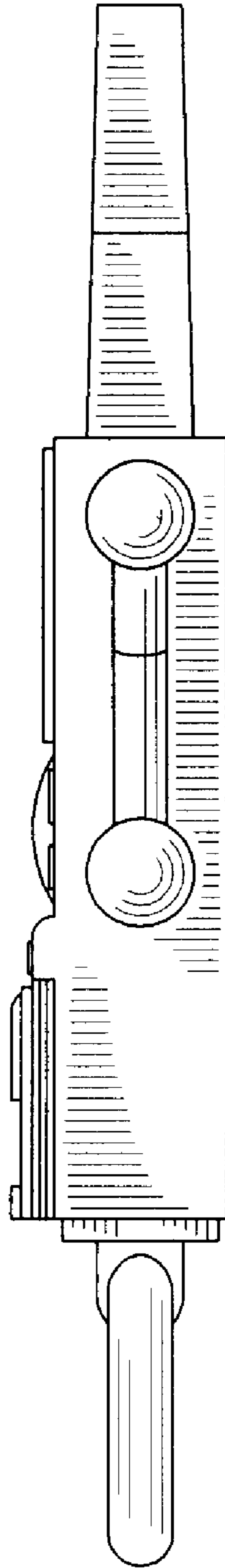


FIG. 5

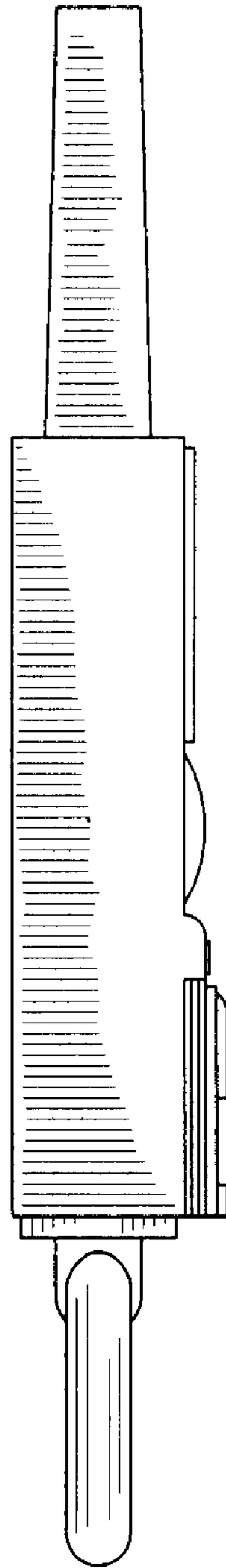


FIG. 6

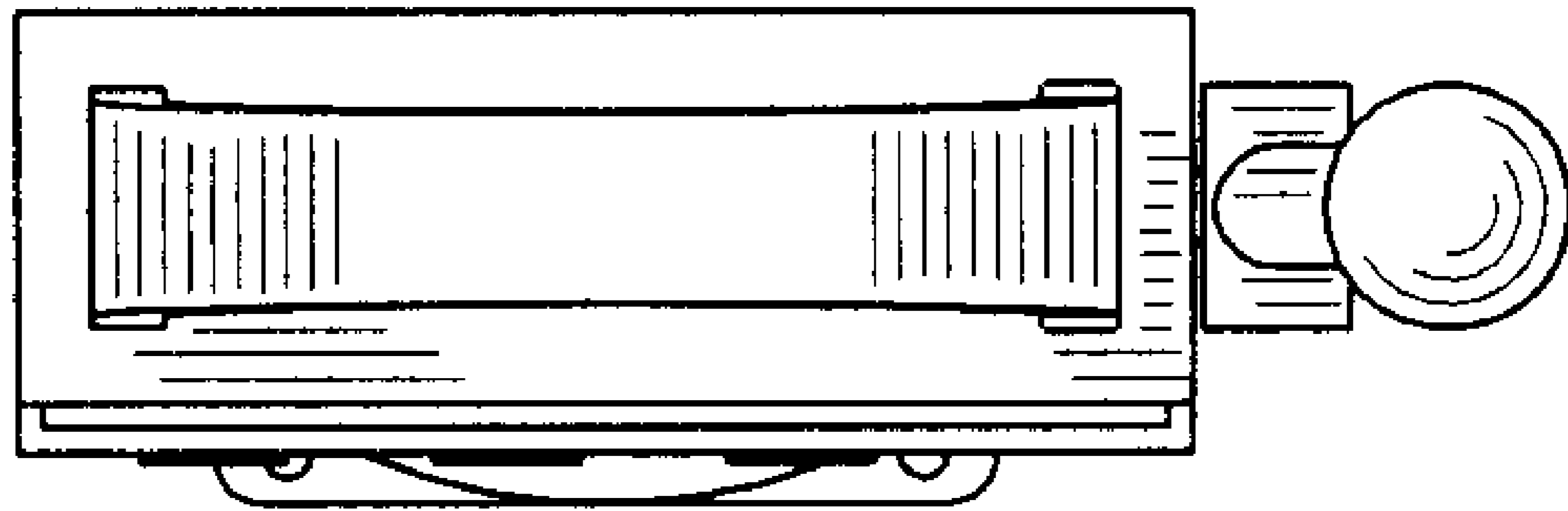


FIG. 7

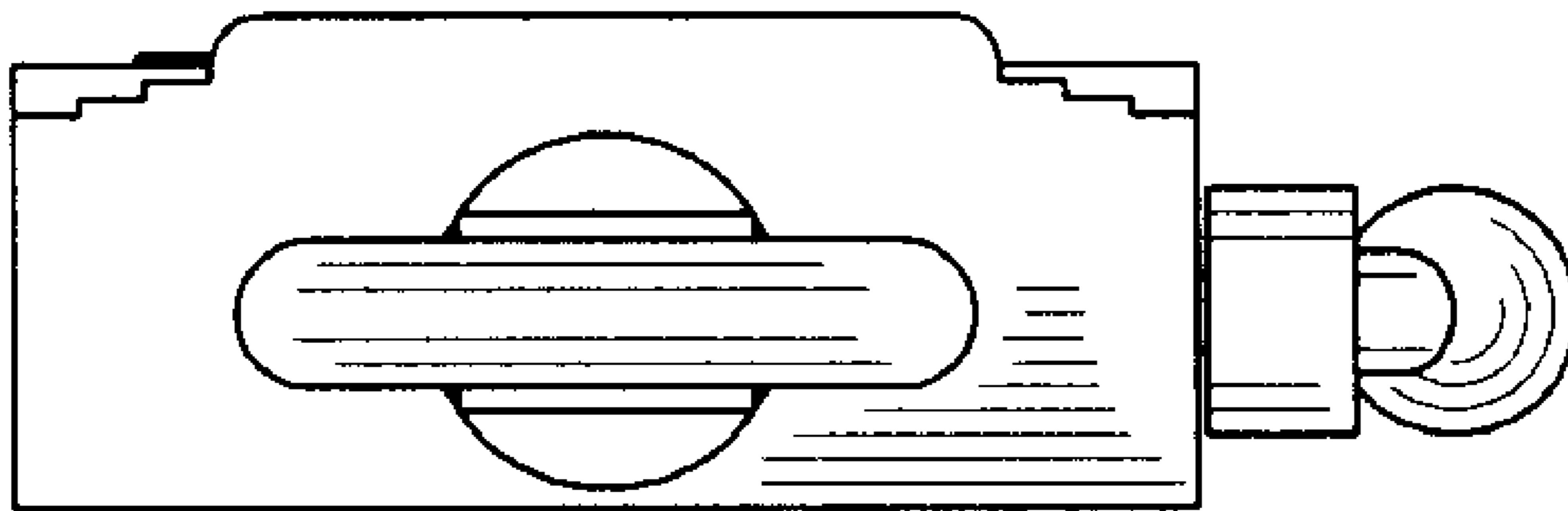


FIG. 8