



US00D515898S

(12) **United States Design Patent**
Veres

(10) **Patent No.:** **US D515,898 S**

(45) **Date of Patent:** **** Feb. 28, 2006**

(54) **TIP HOLDER**

(75) **Inventor:** **Sandor P. Veres**, Mahwah, NJ (US)

(73) **Assignee:** **Titan Tool, Inc.**, Oakland, NJ (US)

(**) **Term:** **14 Years**

(21) **Appl. No.:** **29/197,338**

(22) **Filed:** **Jan. 13, 2004**

(51) **LOC (8) Cl.** **08-05**

(52) **U.S. Cl.** **D8/71; D8/70**

(58) **Field of Classification Search** **D8/71,**
D8/14, 70, 72, 73, 74, 349, 354, 373, 395;
D6/553; D15/130, 132, 138, 139, 140, 141;
173/132; 206/349; 211/70.1, 70.6; 248/127,
248/146, 156; 239/119

See application file for complete search history.

(56) **References Cited**

U.S. PATENT DOCUMENTS

- D329,365 S * 9/1992 Fortune et al. D8/71
- 5,505,381 A * 4/1996 Torntore 239/119
- D376,086 S * 12/1996 Hollingsworth D8/71
- D387,073 S * 12/1997 Mori D15/140
- D388,446 S * 12/1997 Mori D8/71
- 2001/0045471 A1 * 11/2001 Thompson et al. 239/119

* cited by examiner

Primary Examiner—Gary D. Watson

Assistant Examiner—T. Chase Nelson

(74) *Attorney, Agent, or Firm*—Katten Muchin Rosenman LLP

(57) **CLAIM**

The ornamental design for a tip holder, as shown and described.

DESCRIPTION

FIG. 1 is a perspective view of the tip holder showing my new design;

FIG. 2 is a front elevation view thereof;

FIG. 3 is a rear elevation thereof;

FIG. 4 is a left side elevation thereof;

FIG. 5 is a right side elevation thereof;

FIG. 6 is a top view thereof;

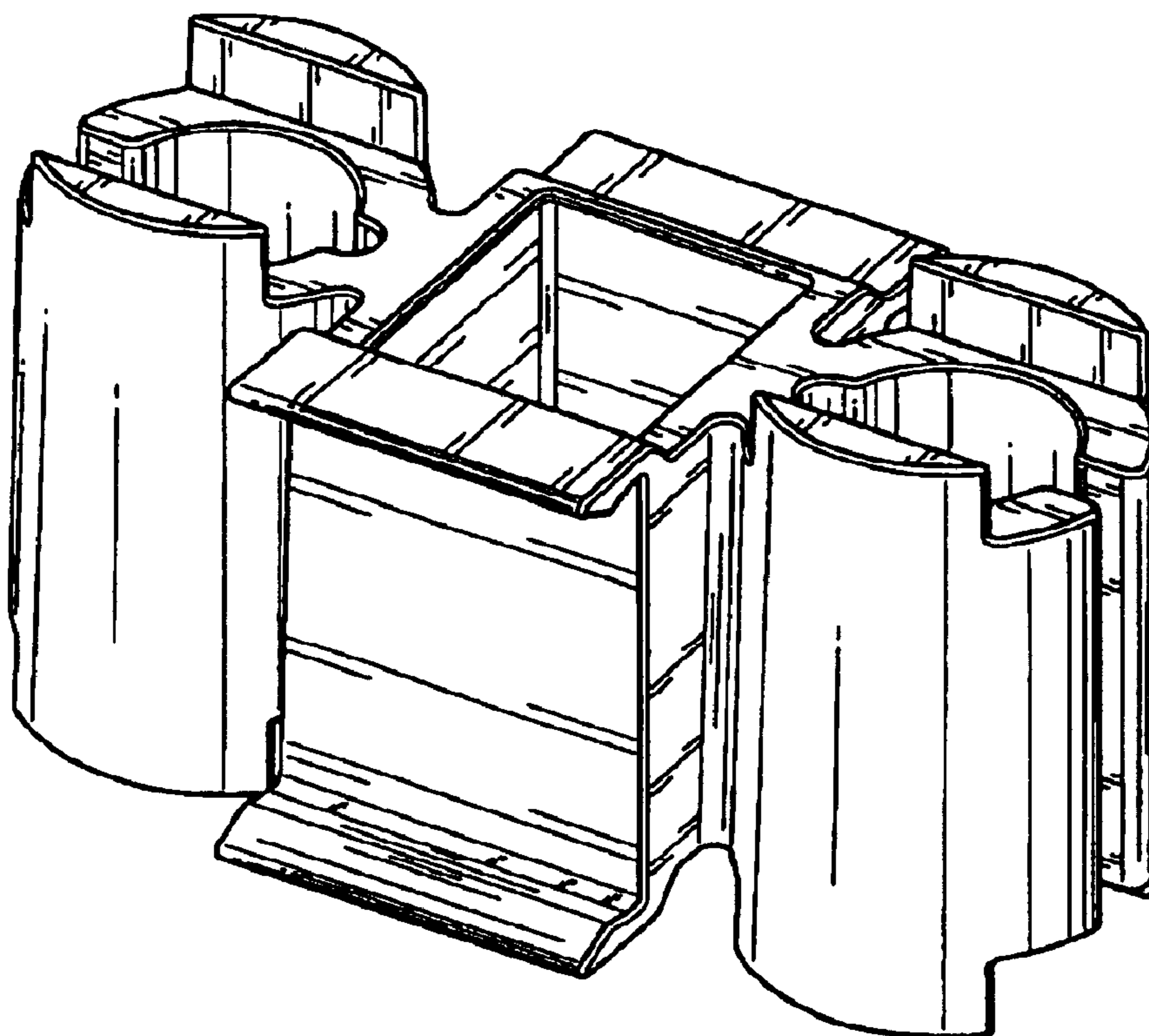
FIG. 7 is a bottom view thereof;

FIG. 8 is a perspective thereof shown with a tip being held therein and shown in broken lines and forming no part of the claimed invention;

FIG. 9 is a perspective thereof shown with two tips being held therein and shown in broken lines and forming no part of the claimed invention; and,

FIG. 10 shows the loaded tip holder of FIG. 9 attached to a spray gun shown in broken lines and forming no part of the claimed invention.

1 Claim, 9 Drawing Sheets



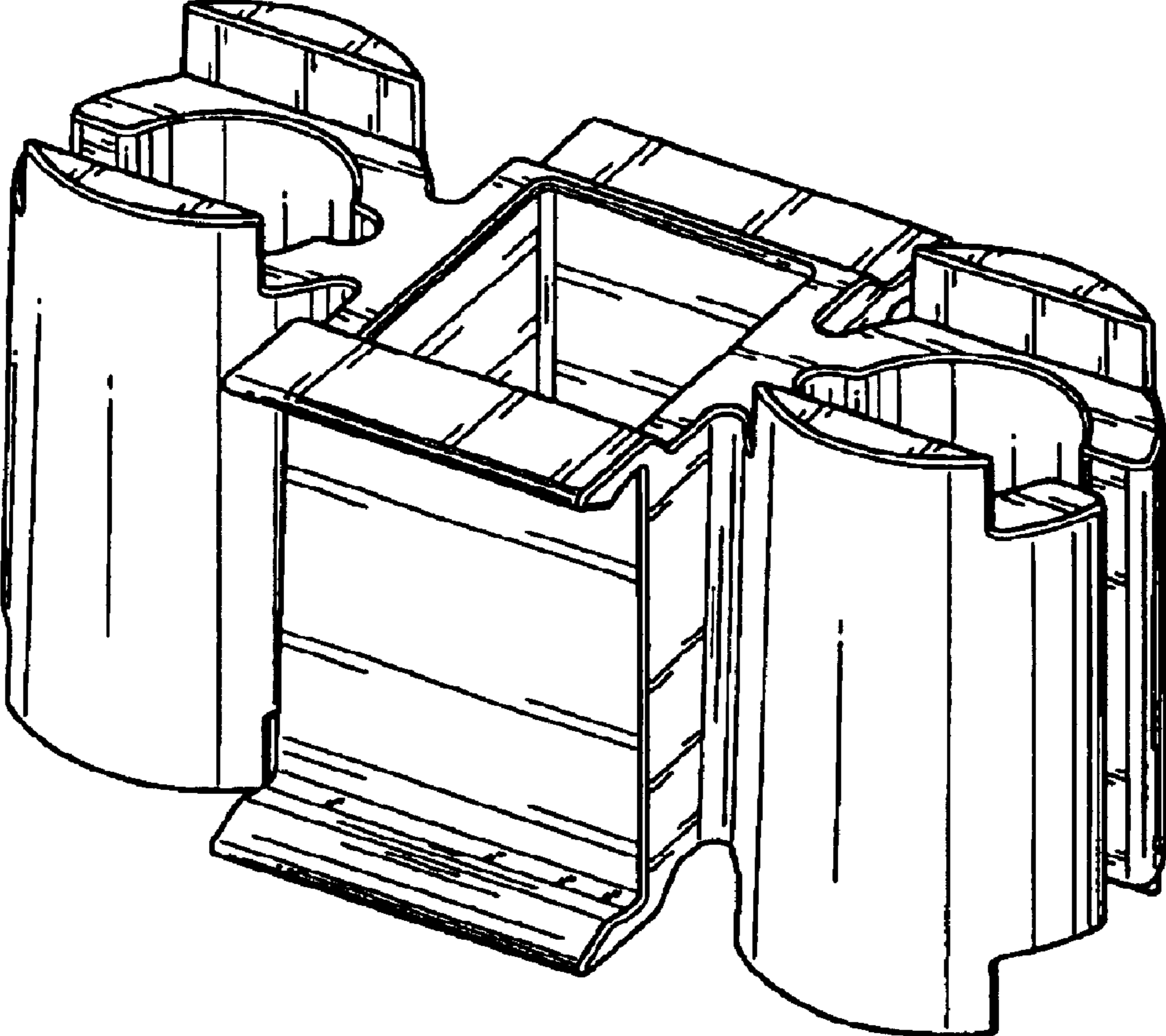


FIG. 1

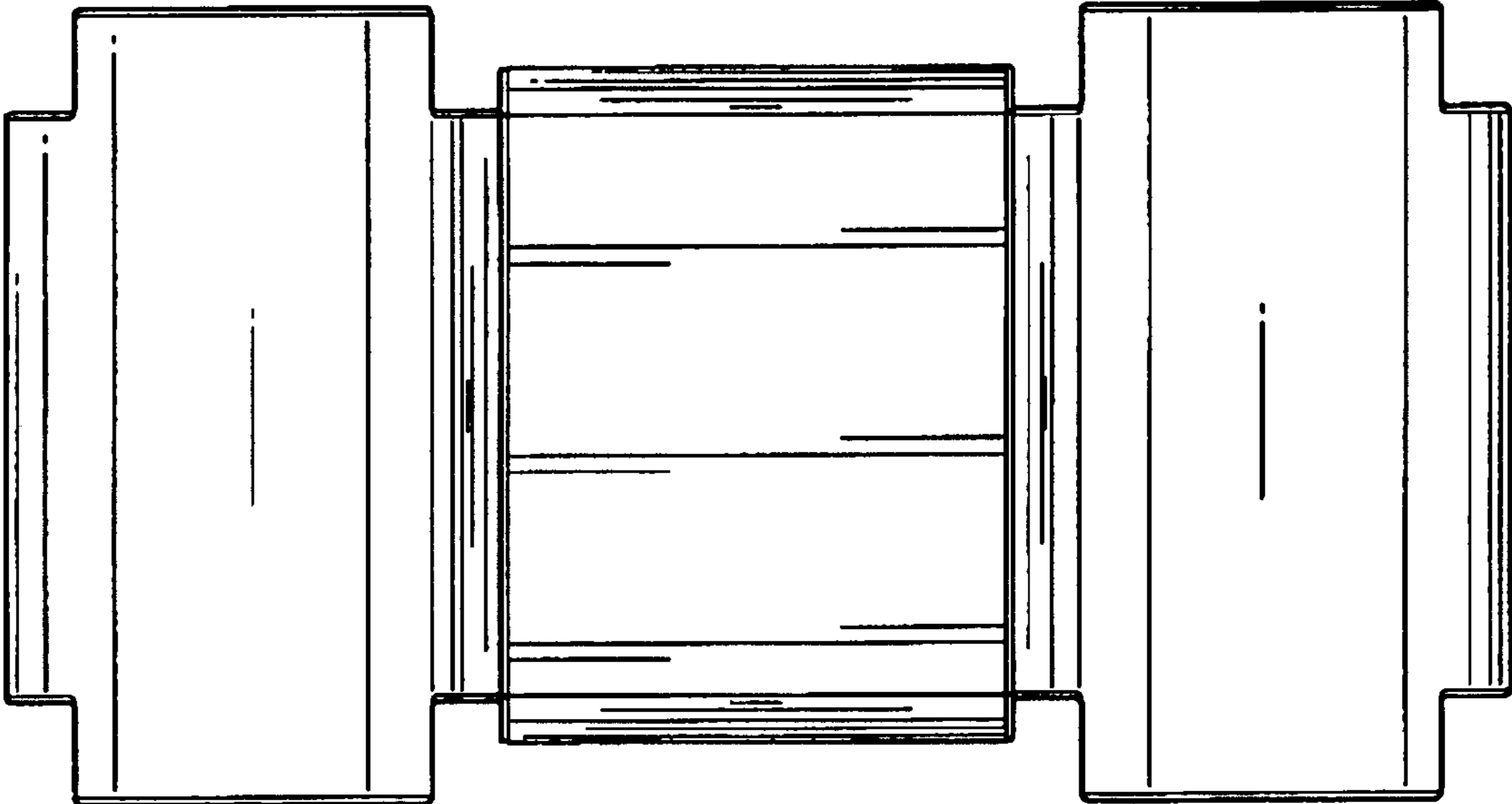


FIG. 2

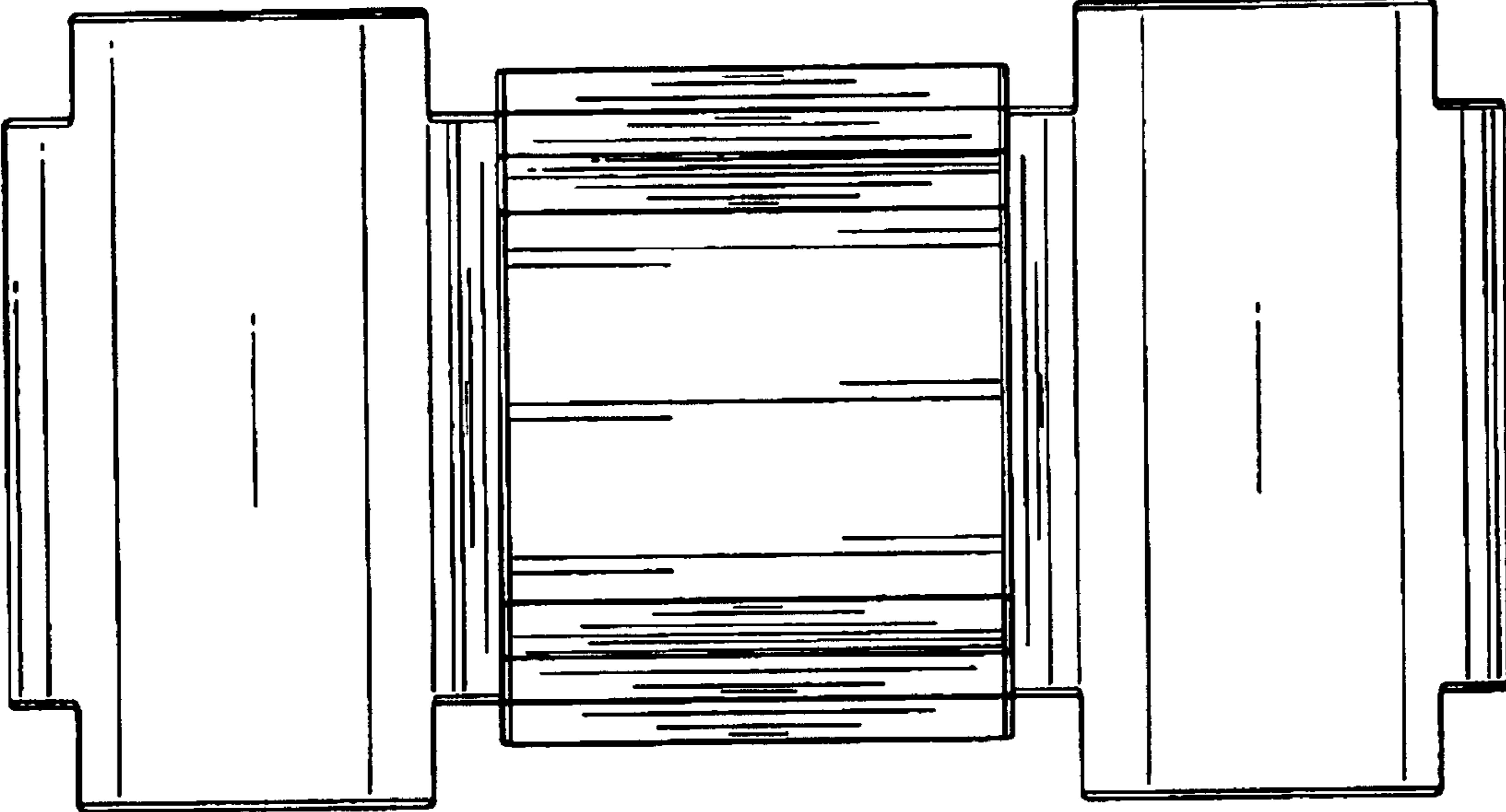


FIG. 3

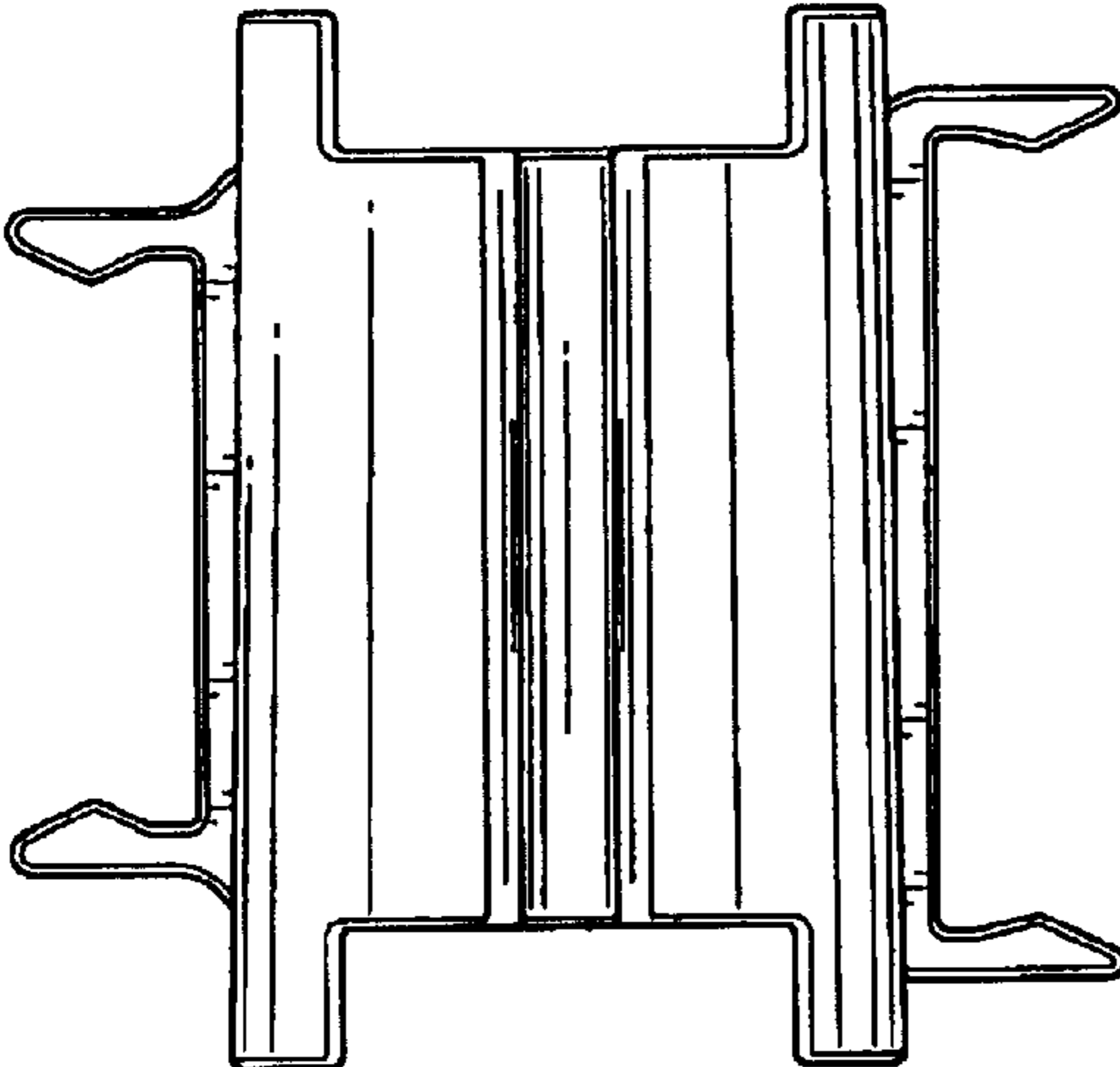


FIG. 4

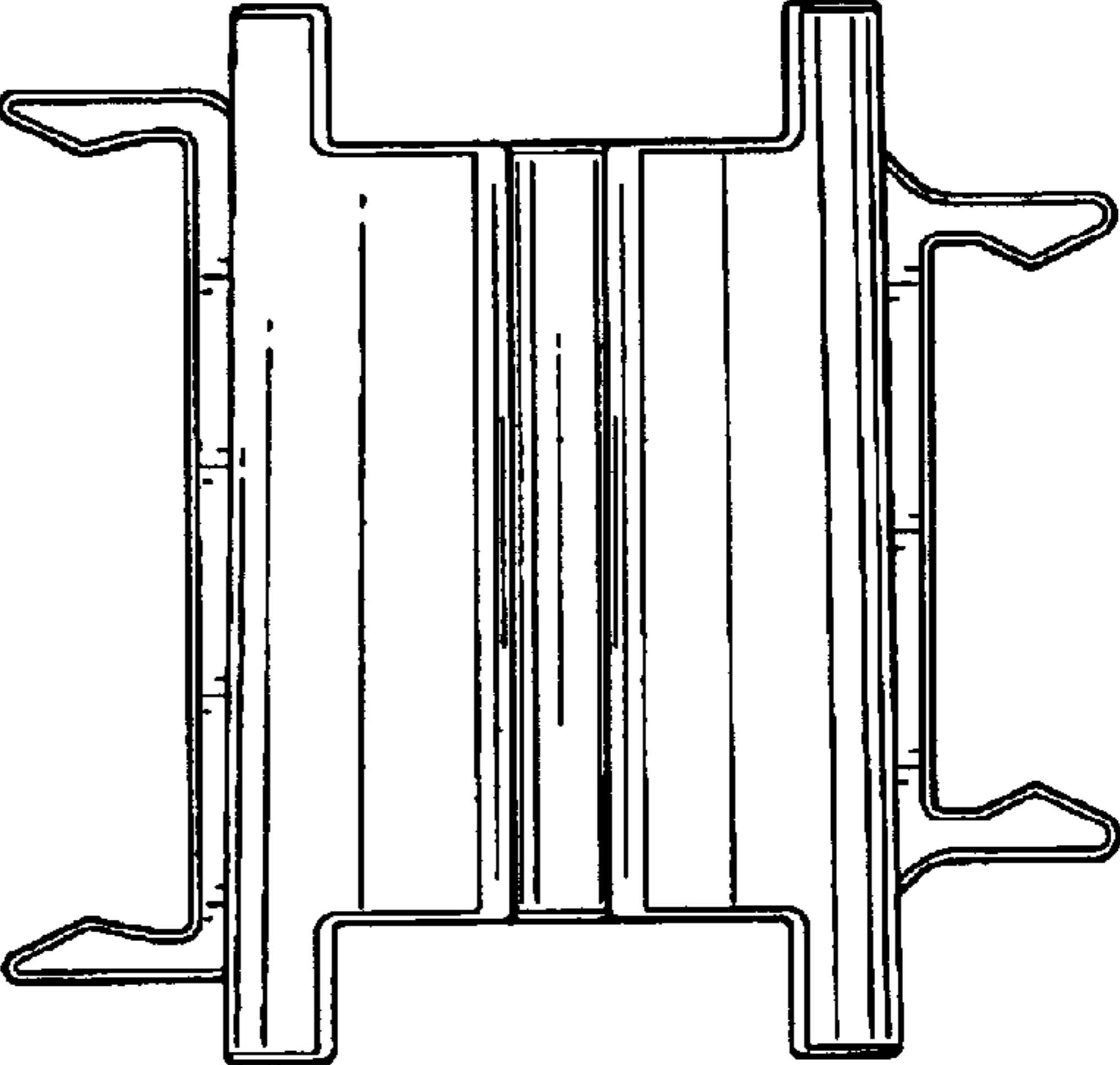


FIG. 5

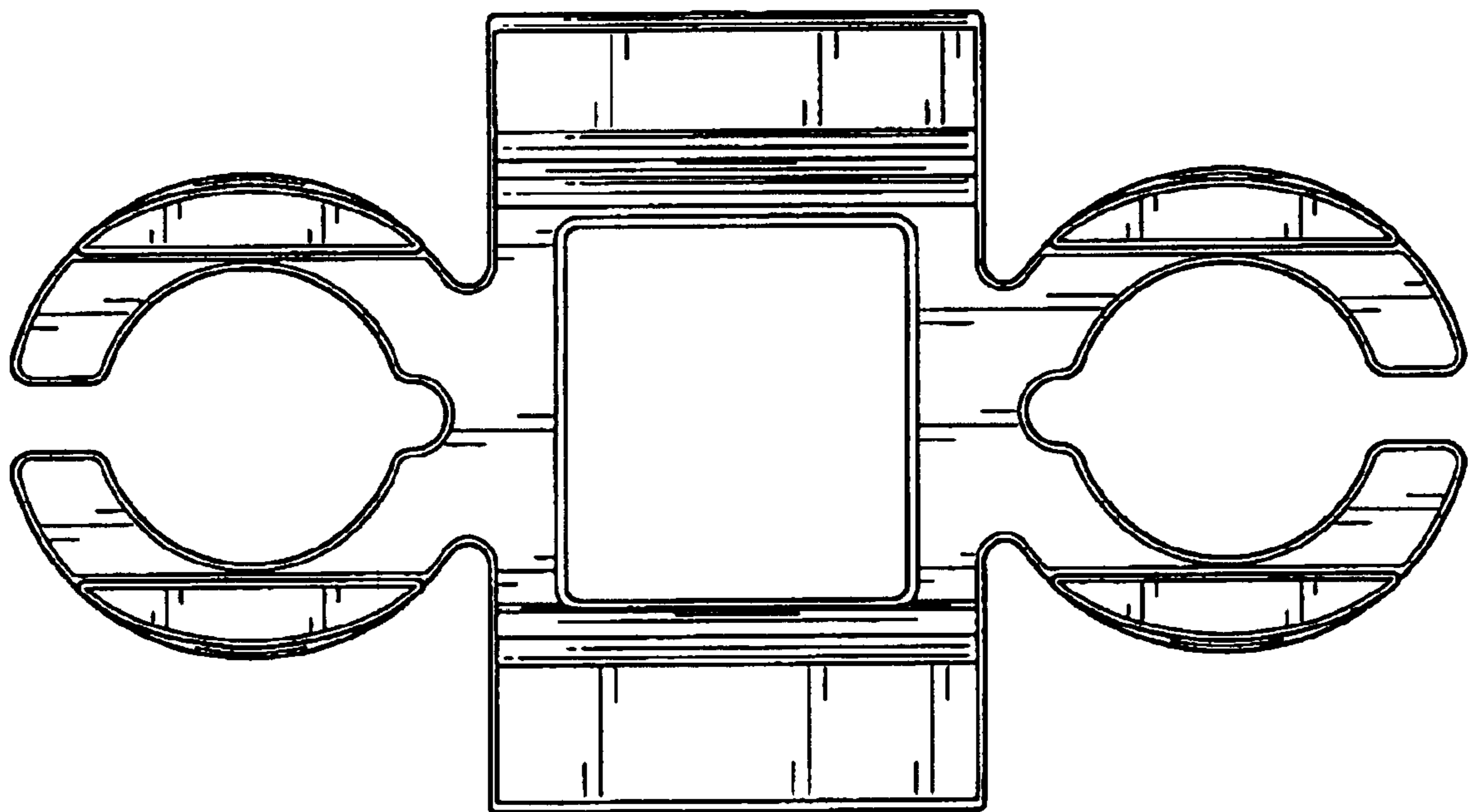


FIG. 6

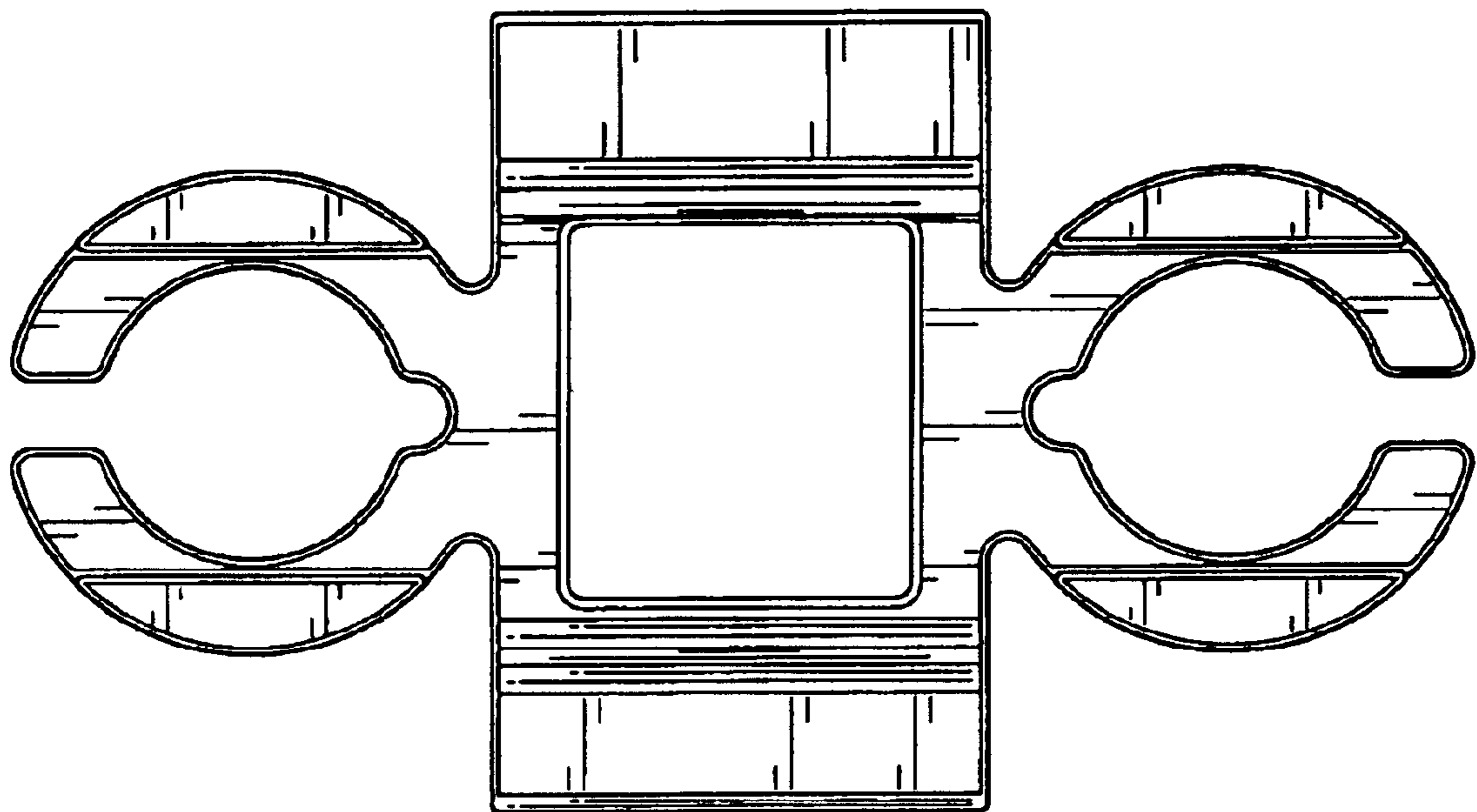


FIG. 7

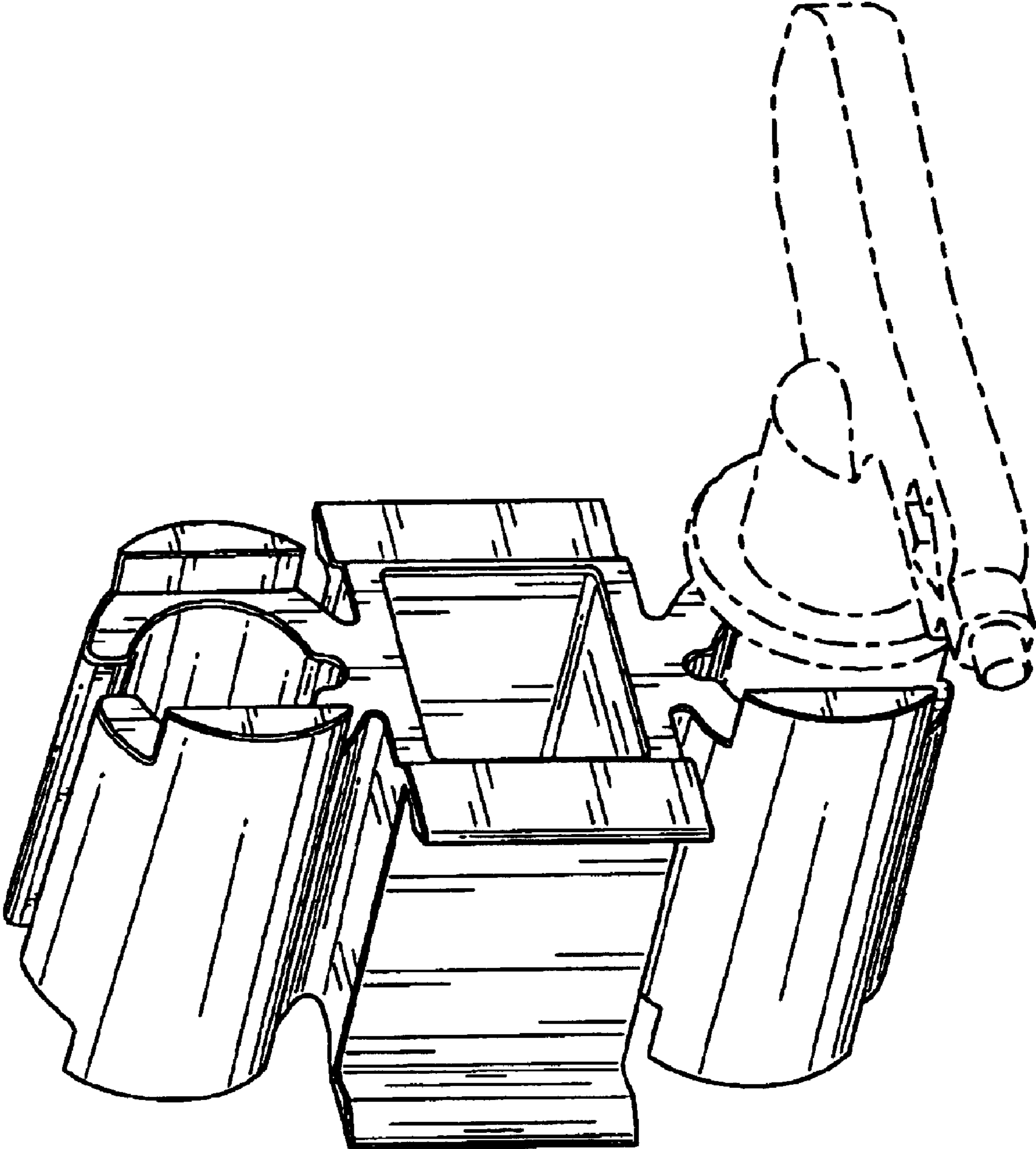


FIG. 8

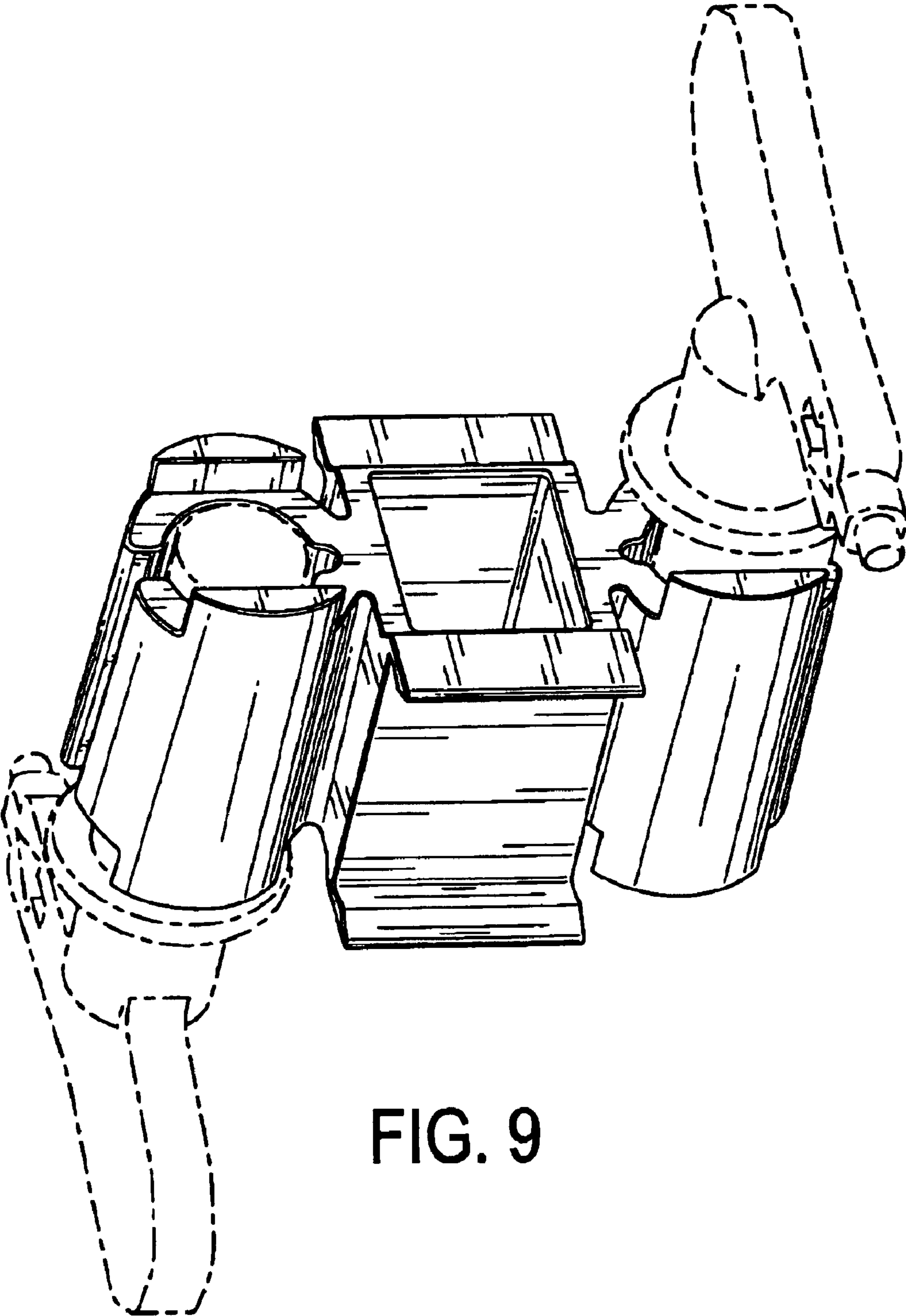


FIG. 9

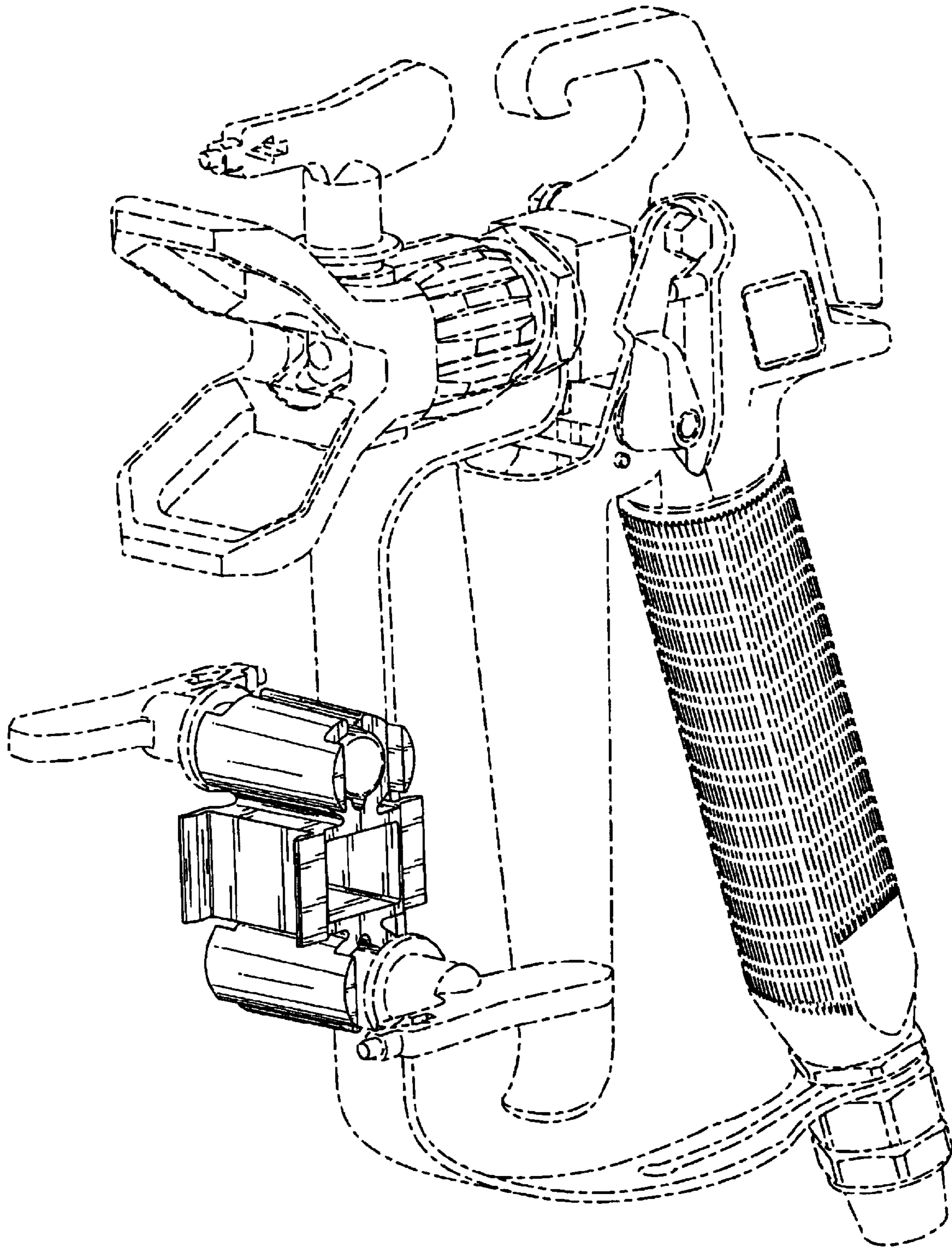


FIG. 10