



US00D515897S

(12) **United States Design Patent**
Greene

(10) **Patent No.:** **US D515,897 S**

(45) **Date of Patent:** **** Feb. 28, 2006**

(54) **TRACTOR TOOL HOLDER**

(75) **Inventor:** **Michael Greene, Reno, NV (US)**

(73) **Assignee:** **Thinking Outside, L.L.C., Detroit, MI (US)**

(**) **Term:** **14 Years**

(21) **Appl. No.:** **29/189,992**

(22) **Filed:** **Sep. 11, 2003**

(51) **LOC (8) Cl.** **08-05**

(52) **U.S. Cl.** **D8/71**

(58) **Field of Classification Search** D8/71,
D8/14, 70, 72, 73, 74, 349, 354, 373, 395;
D15/28, 130, 132, 138, 139, 140, 141; 173/132;
206/349; 211/70.1, 70.6; 248/127, 146, 156;
D6/553; 224/410

See application file for complete search history.

(56) **References Cited**

U.S. PATENT DOCUMENTS

2,593,042	A	*	4/1952	Lynskey	211/70.1
2,805,777	A	*	9/1957	Larson	211/70.1
3,298,531	A	*	1/1967	Wilcke	211/70.6
4,410,095	A	*	10/1983	Dembicks	211/70.6
4,795,121	A	*	1/1989	Comito	211/70.1
5,411,191	A	*	5/1995	Bunn, Jr.	211/70.6
D377,310	S	*	1/1997	Crump, Jr.	D8/71
D392,142	S	*	3/1998	Weisburn et al.	D6/553
5,743,416	A	*	4/1998	Yemini	211/70.6
D396,159	S	*	7/1998	Anderson et al.	D6/553

D414,210	S	*	9/1999	Davis	D6/553
6,041,947	A	*	3/2000	Heneveld	211/70.1
D435,415	S	*	12/2000	Johnson et al.	D8/71
D459,967	S	*	7/2002	Johnson et al.	D8/71
6,481,583	B1	*	11/2002	Black et al.	211/70.6
6,571,966	B1	*	6/2003	Hsiao	211/70.6
6,769,553	B1	*	8/2004	Hurt	211/70.6
D495,878	S	*	9/2004	Greene	D15/28
6,820,755	B1	*	11/2004	Ranjit	211/70.6
2001/0003332	A1	*	6/2001	Ventnor	211/70.6
2004/0035732	A1	*	2/2004	Udy	206/349
2005/0115853	A1	*	6/2005	Craft	206/349
2005/0145587	A1	*	7/2005	Matthews	211/70.6

* cited by examiner

Primary Examiner—Gary D. Watson
Assistant Examiner—T. Chase Nelson

(74) *Attorney, Agent, or Firm*—Townsend and Townsend and Crew LLP

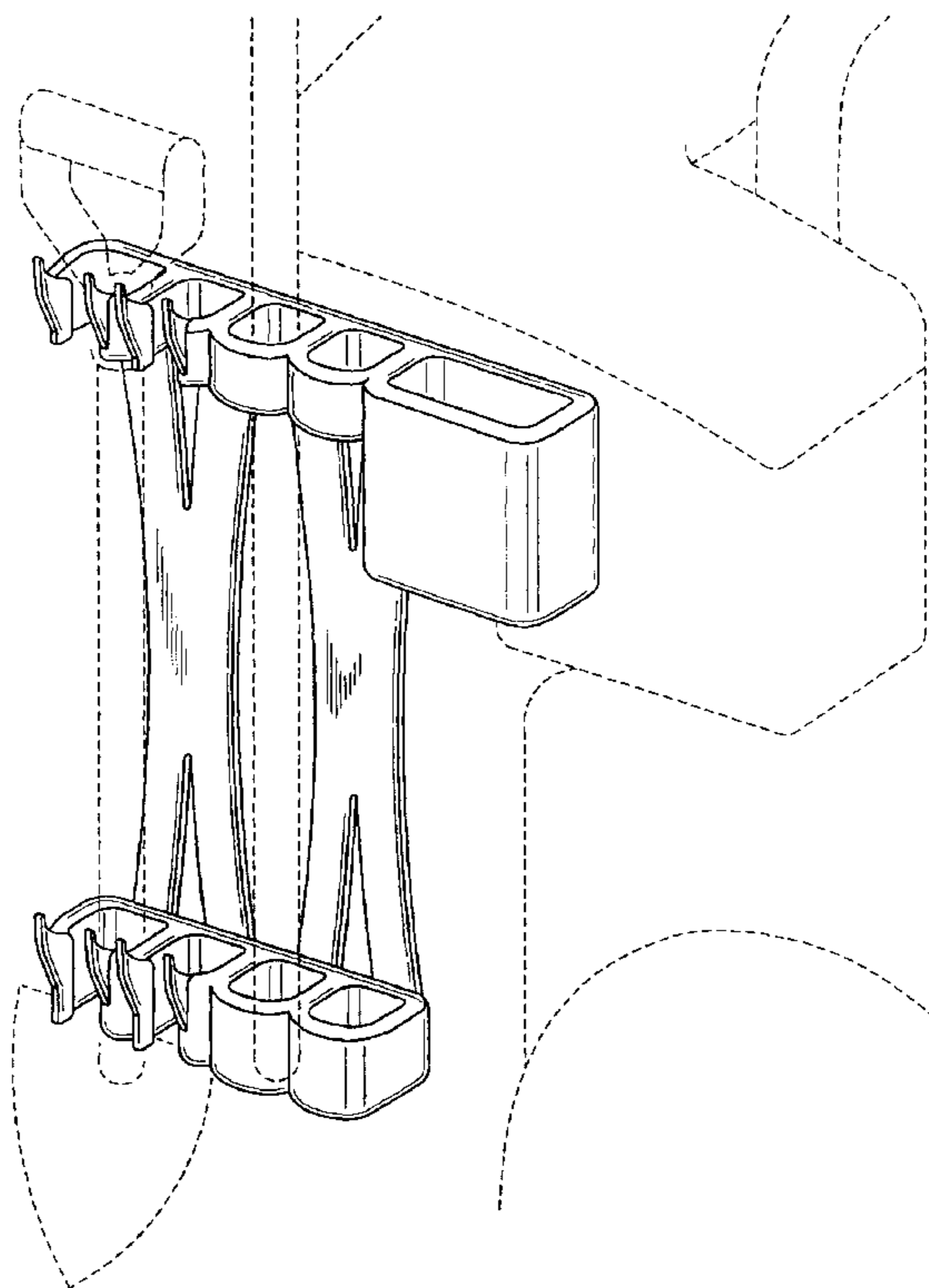
(57) **CLAIM**

The ornamental design for tractor tool holder, as shown and described.

DESCRIPTION

FIG. 1 is a perspective view of a tractor tool holder showing my new design; and, FIG. 2 is another perspective view thereof. Phantom lining, where utilized, is for illustrative purposes only, is not intended to limit the claimed component design to the features shown in phantom, and forms no part of the claimed design.

1 Claim, 2 Drawing Sheets



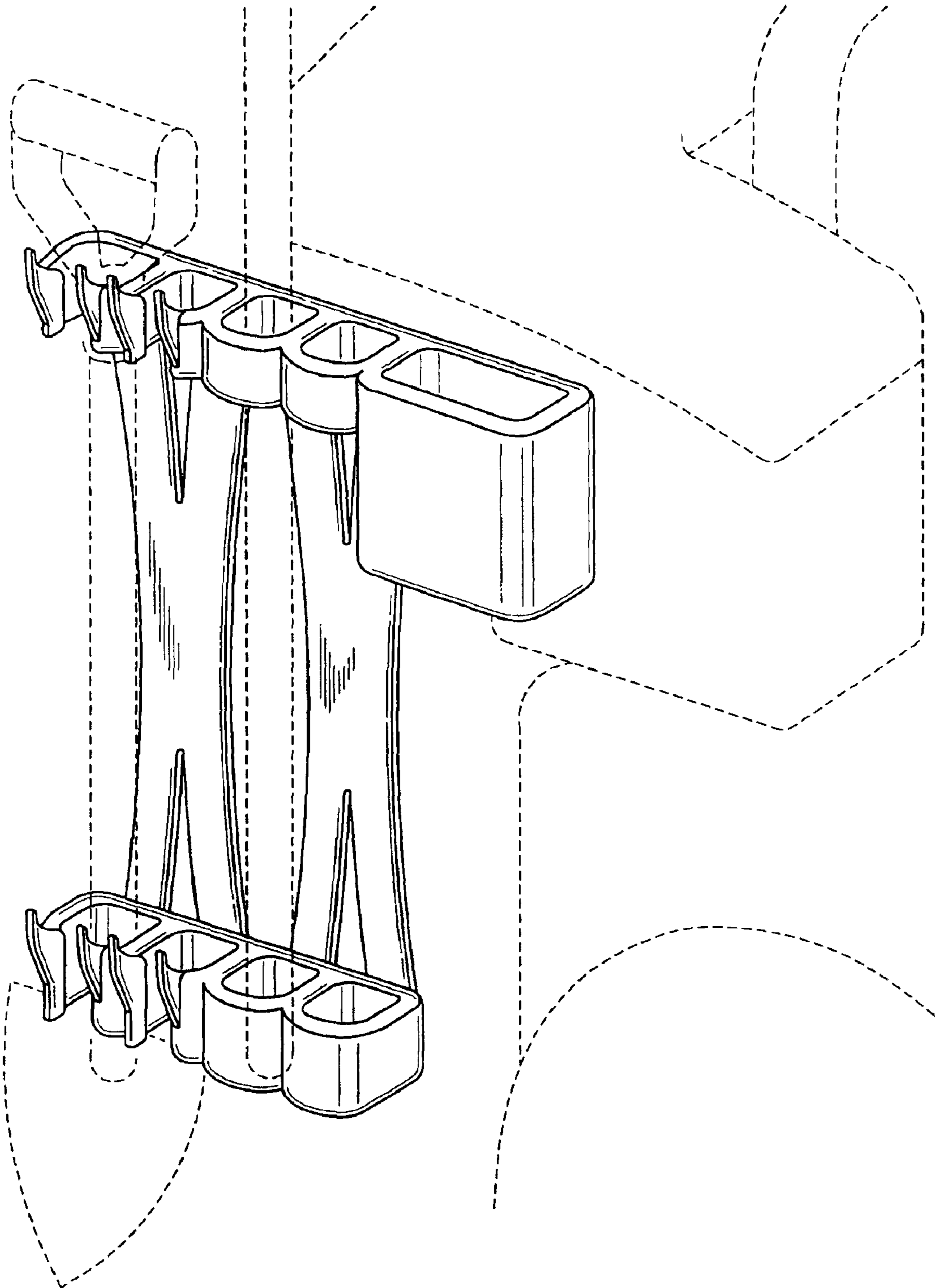


FIG. 1

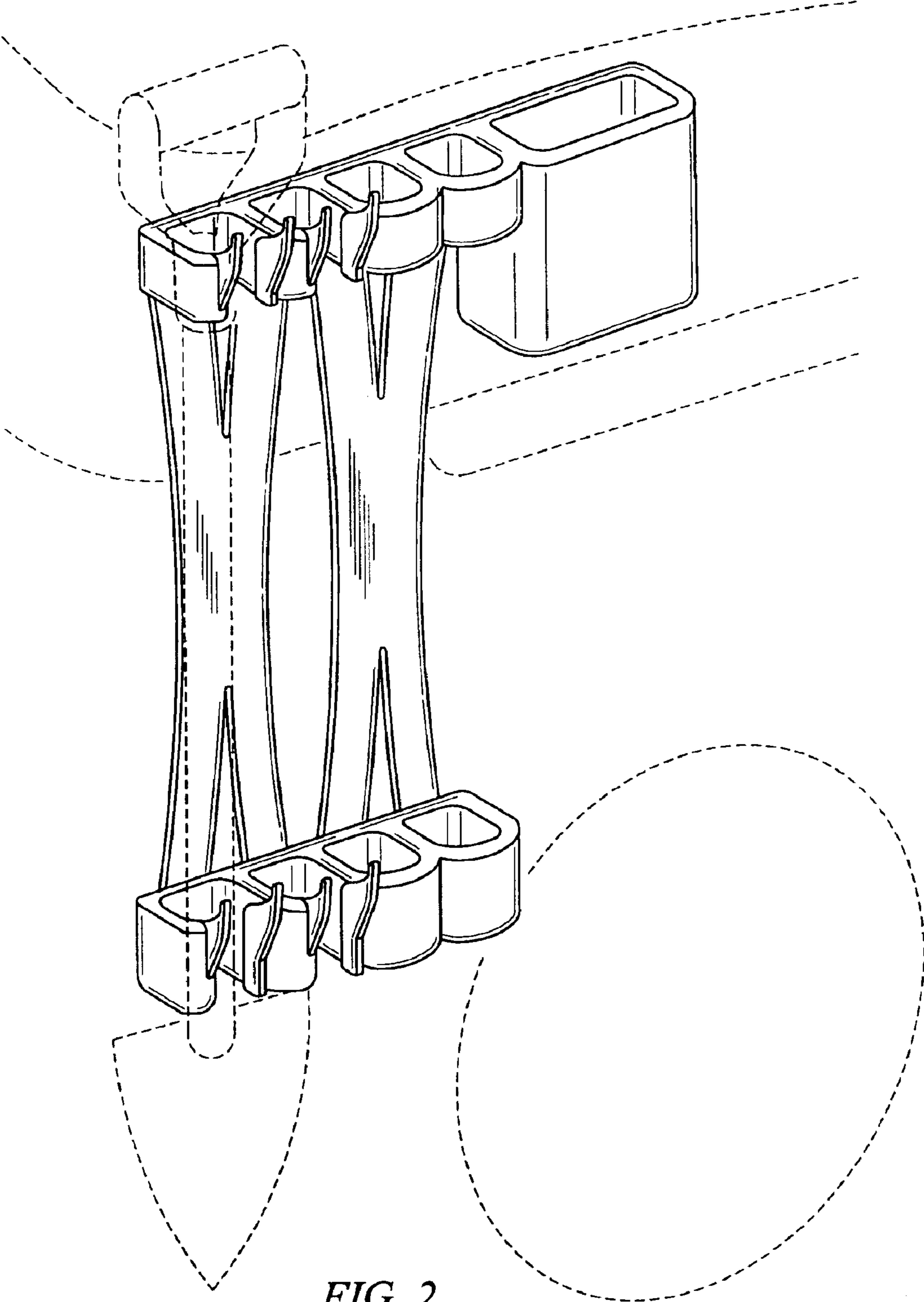


FIG. 2