

US00D515895S

(12) **United States Design Patent**
Chen

(10) **Patent No.:** **US D515,895 S**

(45) **Date of Patent:** **** Feb. 28, 2006**

(54) **PNEUMATIC TOOL**

(76) **Inventor:** **Lung-Hui Chen**, No. 296-1, Jungshan Rd., Juibei City, Hsinchu (TW)

(**) **Term:** **14 Years**

(21) **Appl. No.:** **29/207,975**

(22) **Filed:** **Jun. 23, 2004**

(51) **LOC (8) Cl.** **08-05**

(52) **U.S. Cl.** **D8/68**

(58) **Field of Classification Search** D8/14.1,
D8/61, 62, 63, 64, 65, 66, 67, 68, 69, 70;
81/57.11, 429, 464, 465, 466, 469, 489; 173/13,
173/169, 178, 213, 217; 227/8, 114, 120,
227/130, 136, 142; 310/50; 408/20, 124,
408/125, 234, 241 R; 451/358

See application file for complete search history.

(56) **References Cited**

U.S. PATENT DOCUMENTS

D136,743 S	*	11/1943	Little	D8/68
D300,313 S	*	3/1989	Izumisawa	D8/68
D358,314 S	*	5/1995	Izumisawa	D8/62
D364,544 S	*	11/1995	Izumisawa	D8/62
D430,995 S	*	9/2000	Izumisawa	D8/62
6,164,387 A	*	12/2000	Chang	173/169
D444,365 S	*	7/2001	Bass et al.	D8/68

D452,638 S	*	1/2002	Chen	D8/62
D459,180 S	*	6/2002	Morgan	D8/68
D476,209 S	*	6/2003	Chen	D8/68
D486,370 S	*	2/2004	Chen	D8/68
D488,040 S	*	4/2004	Chen	D8/68
D488,041 S	*	4/2004	Chen	D8/68
D488,694 S	*	4/2004	Chen	D8/68

* cited by examiner

Primary Examiner—Gary D. Watson

Assistant Examiner—T. Chase Nelson

(74) *Attorney, Agent, or Firm*—Birch, Stewart, Kolasch & Birch, LLP

(57) **CLAIM**

The ornamental design for “pneumatic tool,” as shown and described.

DESCRIPTION

FIG. 1 is a perspective view of “pneumatic tool” showing my new design thereof;

FIG. 2 is a right side elevational view thereof;

FIG. 3 is a top plan view thereof;

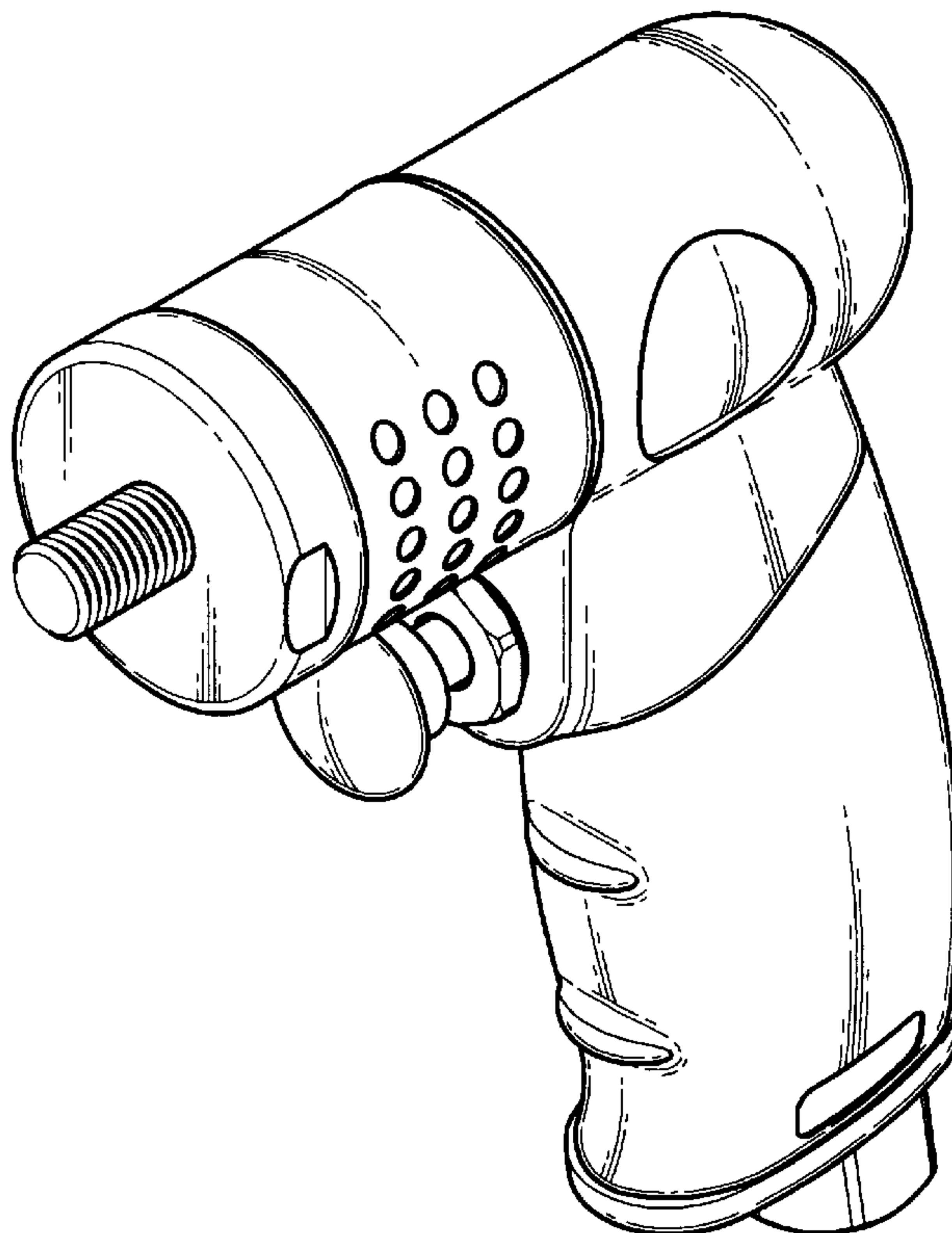
FIG. 4 is a front side elevational view thereof;

FIG. 5 is a bottom plan view thereof;

FIG. 6 is a left side elevational view thereof; and,

FIG. 7 is a rear side elevational view thereof.

1 Claim, 4 Drawing Sheets



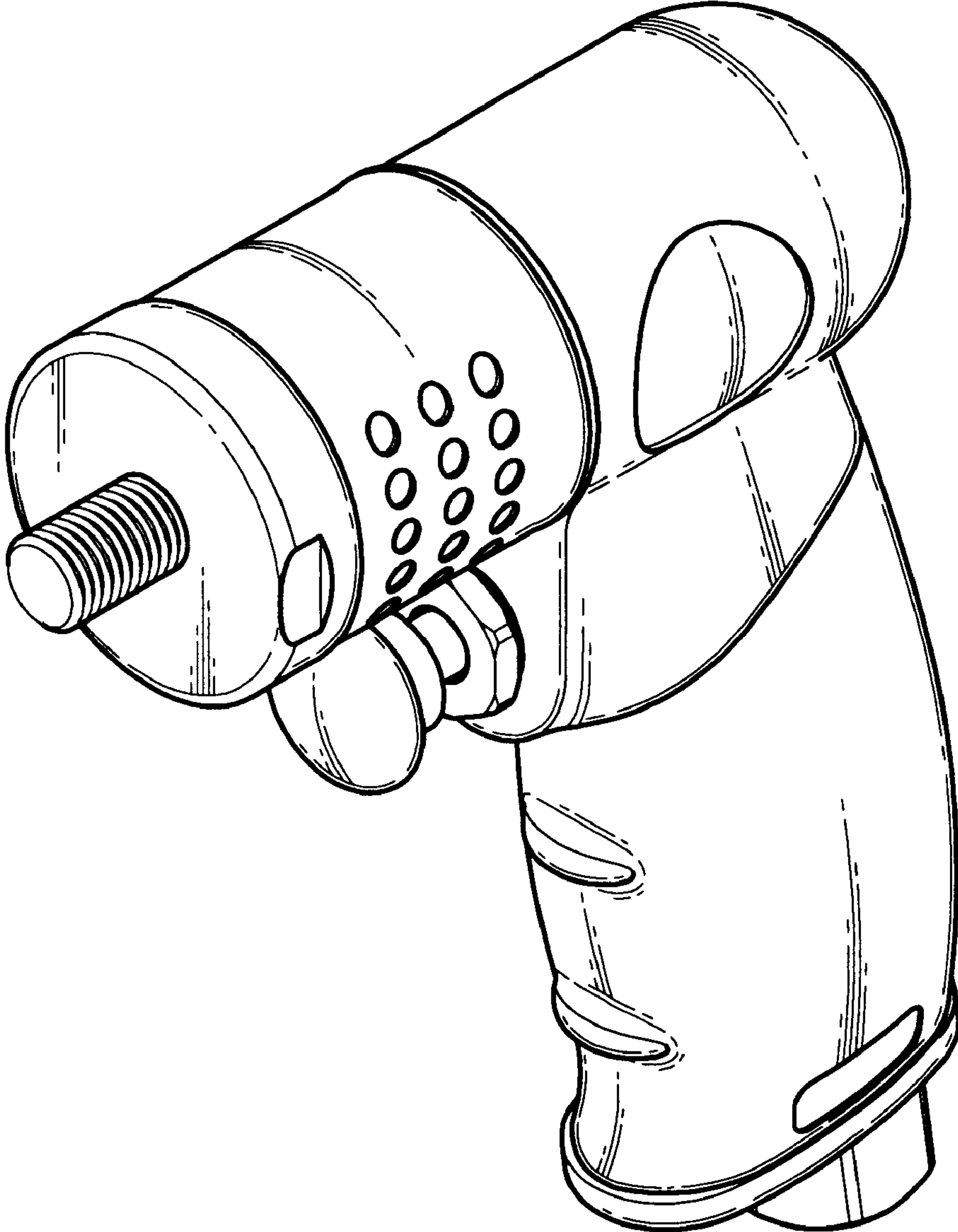


Fig. 1

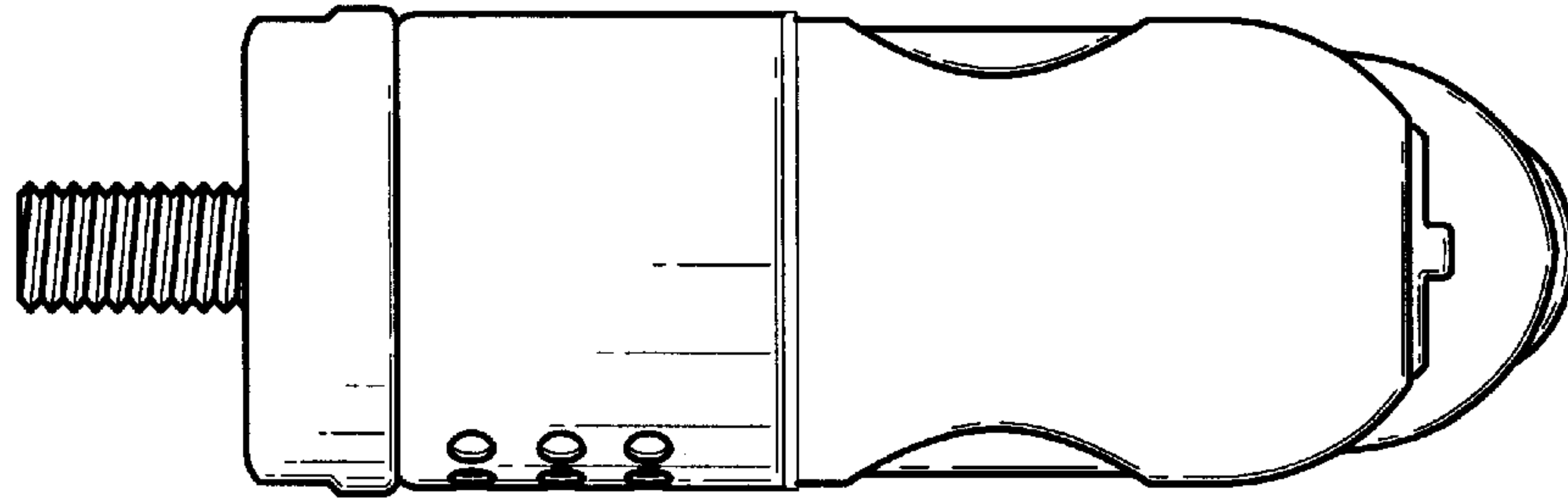


Fig.3

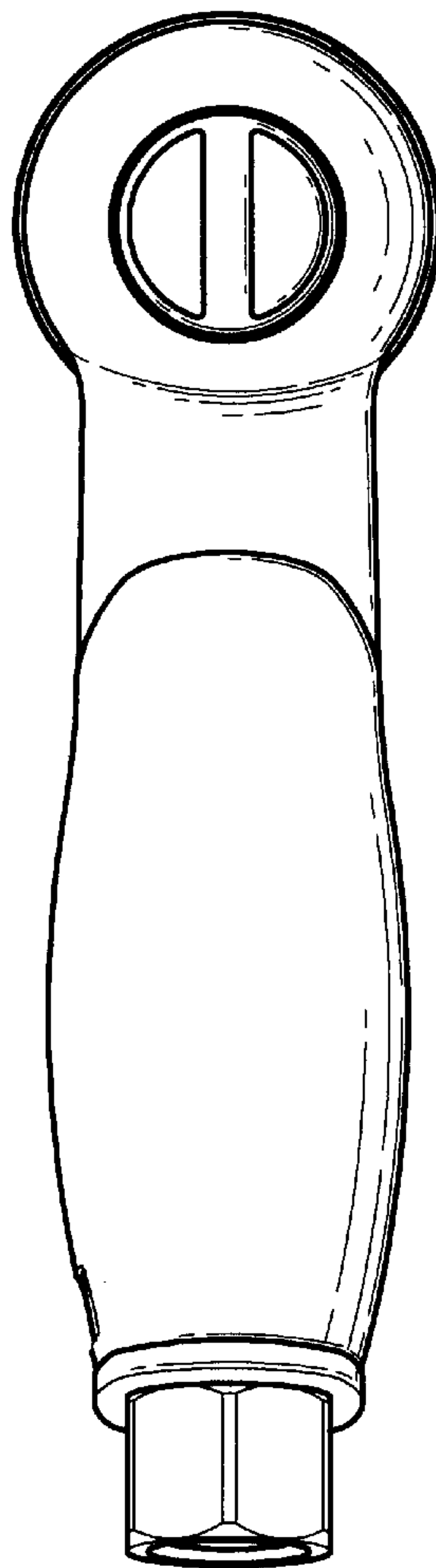


Fig.2

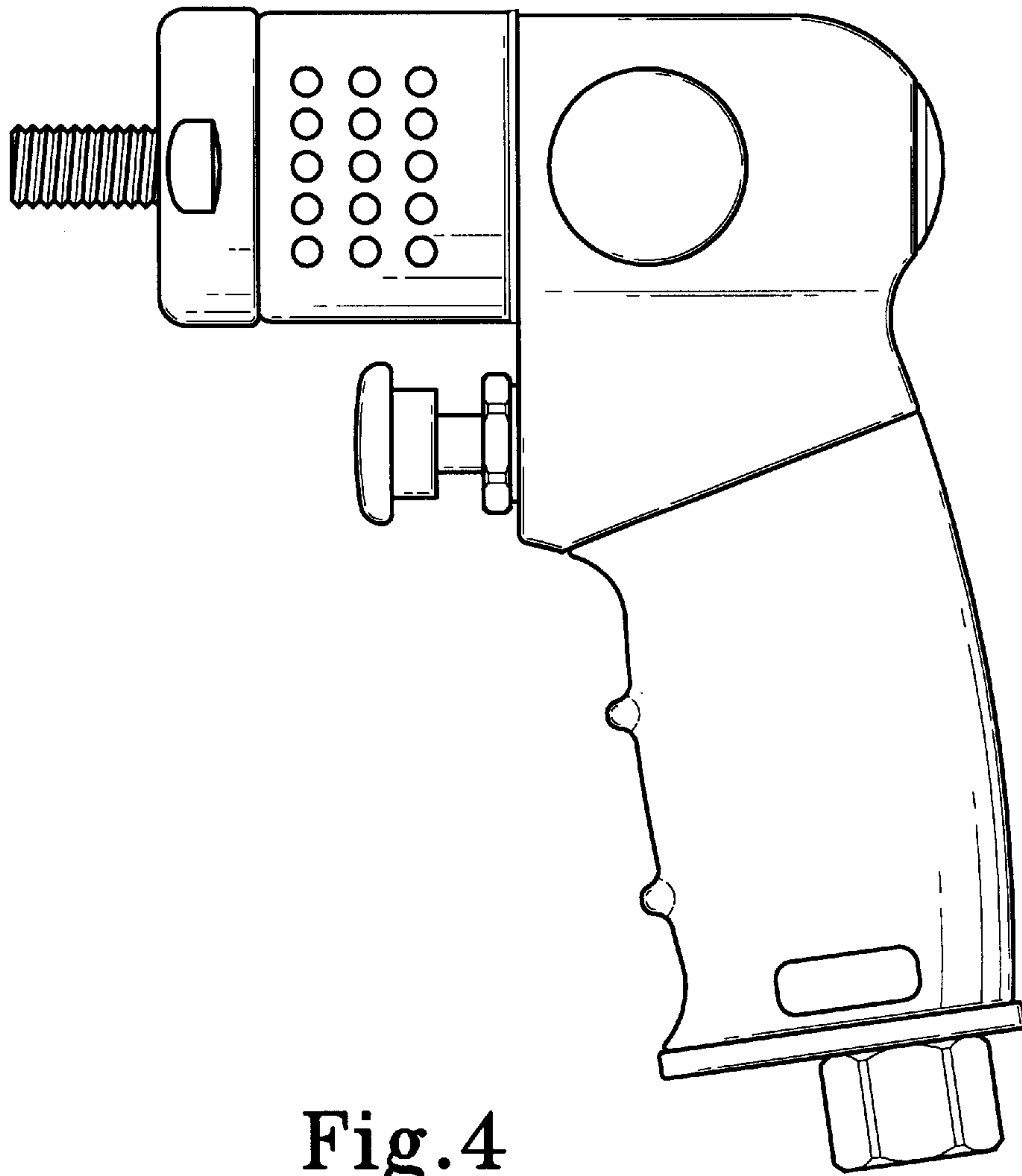


Fig.4

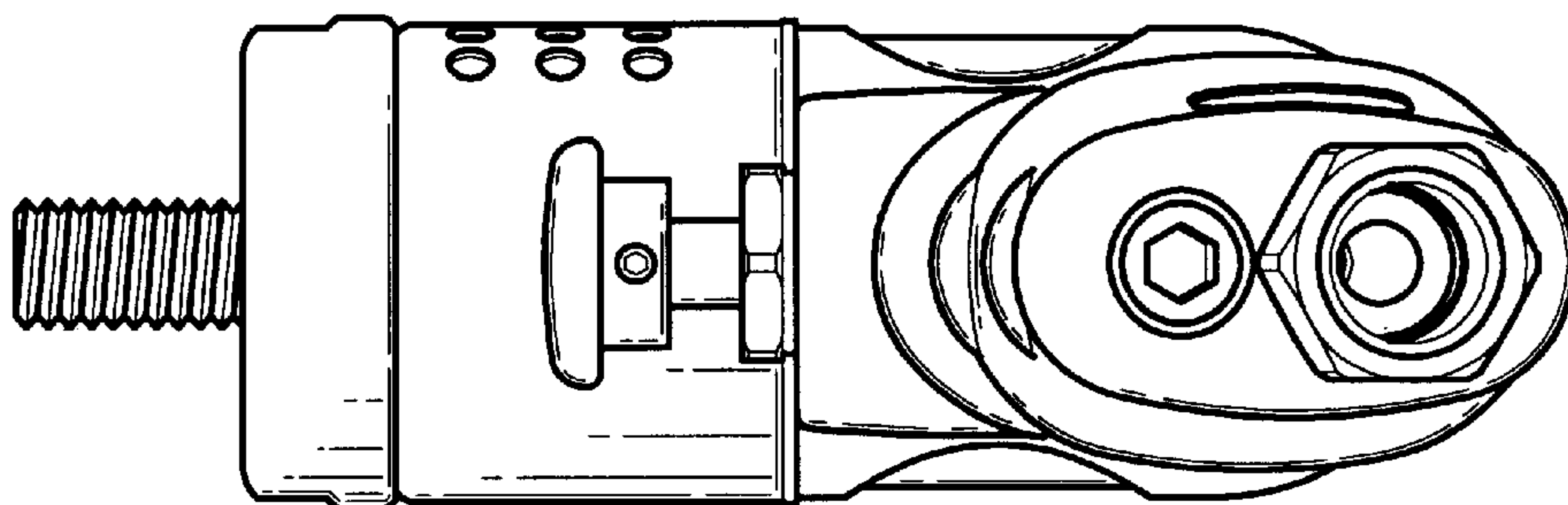


Fig.5

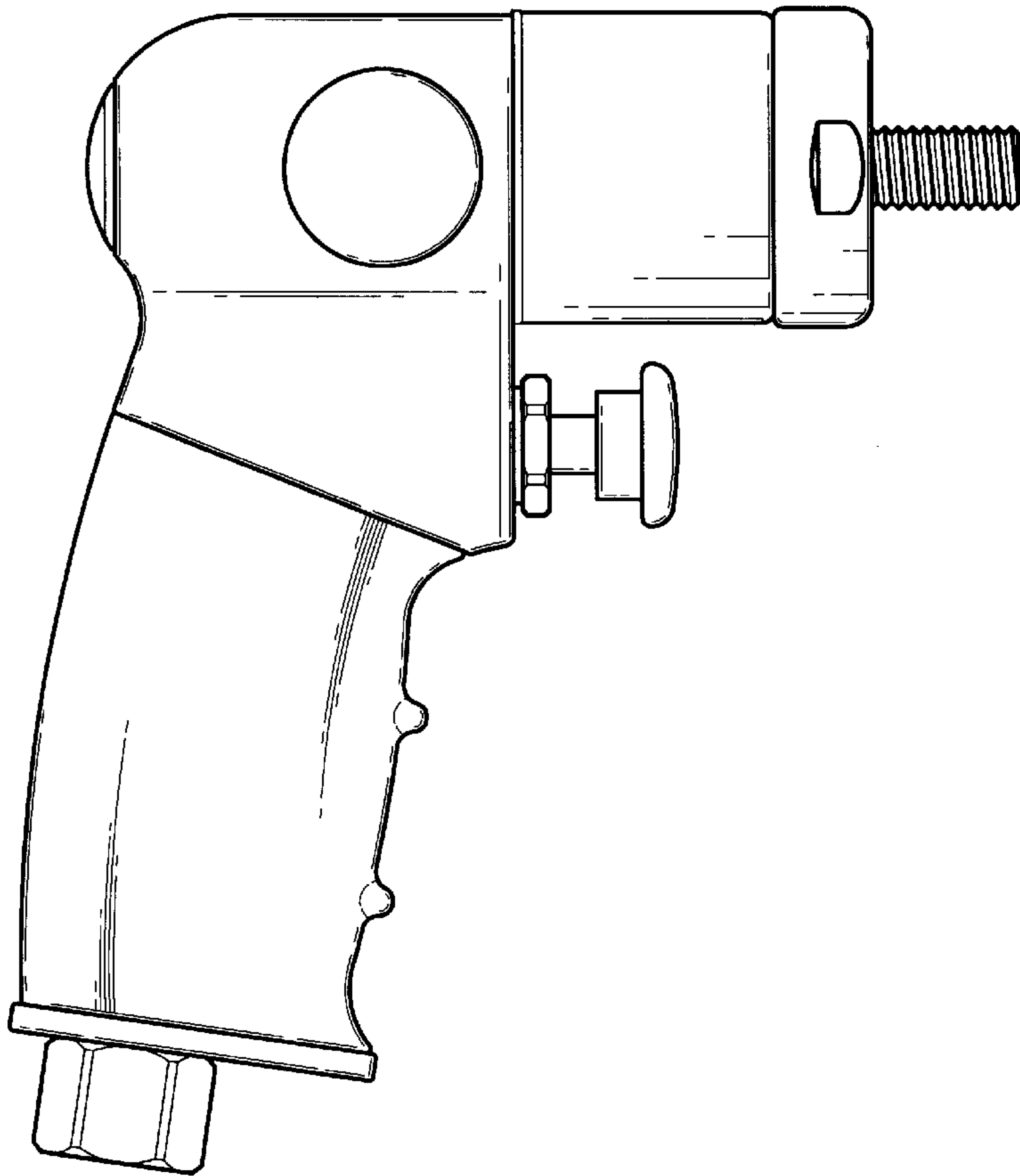


Fig. 7

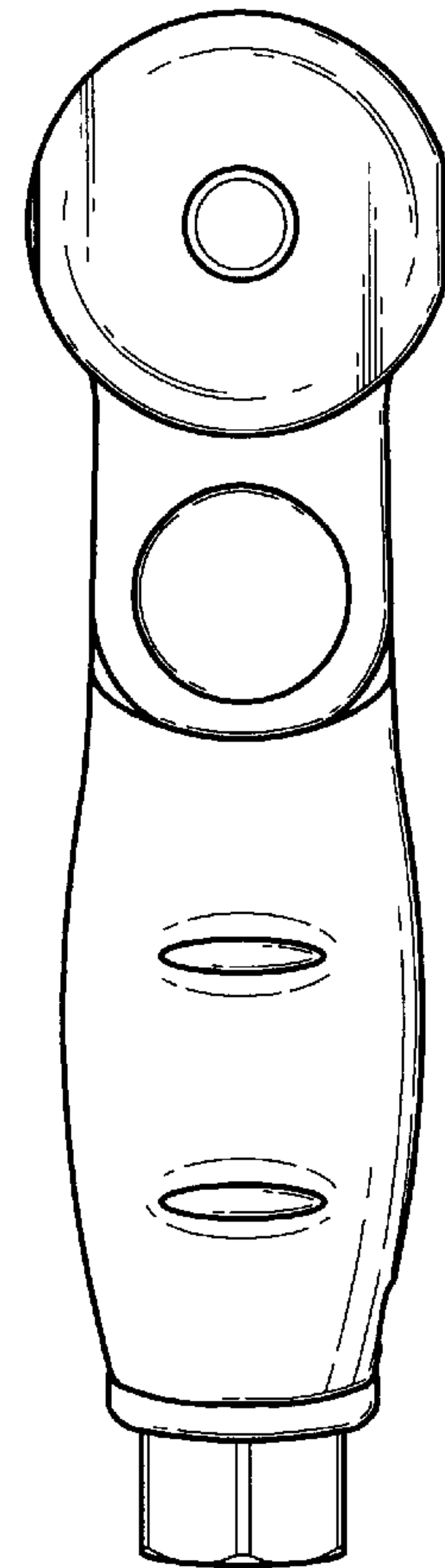


Fig. 6