



US00D515893S

(12) **United States Design Patent** (10) **Patent No.:** **US D515,893 S**
Adams et al. (45) **Date of Patent:** **** Feb. 28, 2006**

(54) **STAPLER**

(75) Inventors: **David P. Adams**, Barrington, IL (US);
Michael Prince, Chicago, IL (US);
Tong Jin Kim, Chicago, IL (US);
Michael Reedy, Chicago, IL (US); **Ki Bok Song**, Des Plaines, IL (US); **Jeff Mathison**, Chicago, IL (US)

(73) Assignee: **Acco Brands, Inc.**, Lincolnshire, IL (US)

(**) Term: **14 Years**

(21) Appl. No.: **29/203,823**

(22) Filed: **Apr. 20, 2004**

(51) **LOC (8) Cl.** **19-02**

(52) **U.S. Cl.** **D8/50; D8/49**

(58) **Field of Classification Search** D8/49,
D8/50, 61; D19/72; 227/120, 127, 128, 131,
227/132, 134, 156

See application file for complete search history.

(56) **References Cited**

U.S. PATENT DOCUMENTS

D101,889 S	*	11/1936	Rix	D8/98
D219,725 S	*	1/1971	Sano	D8/49
4,726,505 A		2/1988	Okazaki		
D319,377 S	*	8/1991	Sadashima et al.	D8/49
5,076,483 A		12/1991	Olesen		
D331,000 S		11/1992	Doorley		
D332,732 S	*	1/1993	Matsuno	D8/50
D336,838 S		6/1993	Ishii		
5,222,645 A		6/1993	Sueda		
D374,385 S	*	10/1996	Herbst et al.	D8/50
6,068,173 A		5/2000	Sueda		
D445,323 S	*	7/2001	Arns	D8/50
D467,778 S	*	12/2002	Nolan	D8/50
D472,437 S		4/2003	Scola et al.		
6,547,119 B1		4/2003	Huang		
D475,905 S	*	6/2003	Kroger	D8/50

D478,486 S		8/2003	Scola et al.		
D503,320 S	*	3/2005	Adams et al.	D8/50
D503,321 S	*	3/2005	Harris	D8/50
2002/0158101 A1	*	10/2002	Huang	227/7
2002/0166884 A1		11/2002	Luo		
2003/0197045 A1		10/2003	Luo		
2004/0060959 A1		4/2004	Ura		

OTHER PUBLICATIONS

Acco Brands, Inc., Fact Book 2001, Feb. 1, 2001, pp. 188–189.

Acco Brands, Inc., Fact Book 2003, Feb. 1, 2003, pp. 98, 99 and 110–112.

* cited by examiner

Primary Examiner—Cathron C. Brooks

Assistant Examiner—Austin Murphy

(74) *Attorney, Agent, or Firm*—Michael Best & Friedrichl LLP

(57) **CLAIM**

We claim the ornamental design for a stapler, as shown and described.

DESCRIPTION

FIG. 1 is a right-side perspective view, taken from the front, of a stapler embodying the present invention.

FIG. 2 is a left-side perspective view taken from the front of the stapler.

FIG. 3 is a left-side perspective view taken from the rear of the stapler.

FIG. 4 is a left side view of the stapler.

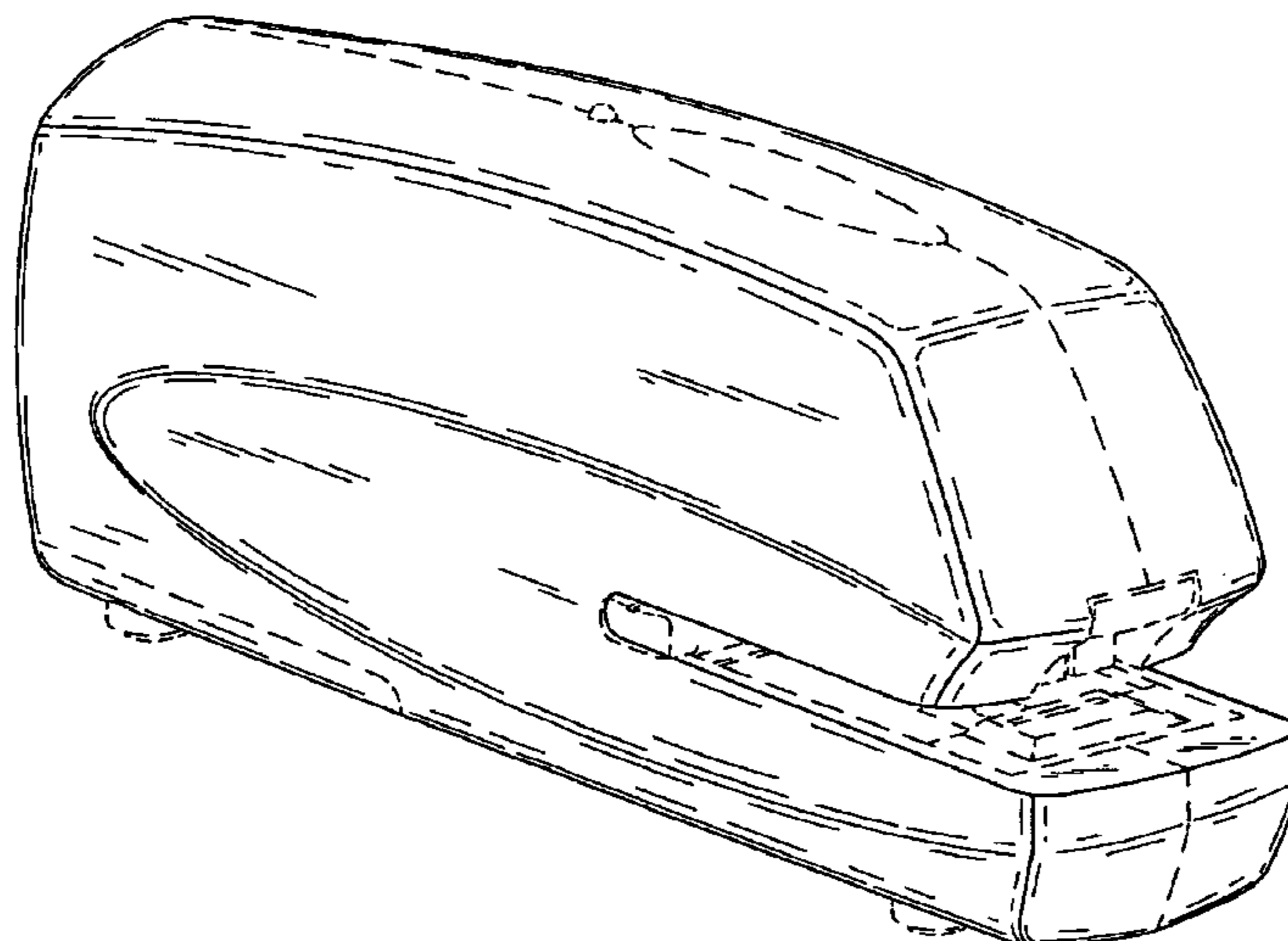
FIG. 5 is a front view of the stapler.

FIG. 6 is a top view of the stapler; and,

FIG. 7 is a rear view of the stapler.

The portions of the stapler shown in broken lines are for illustrative purposes only and form no part of the claimed design. The side view opposite FIG. 4 is a mirror image of FIG. 4 and is not shown.

1 Claim, 4 Drawing Sheets



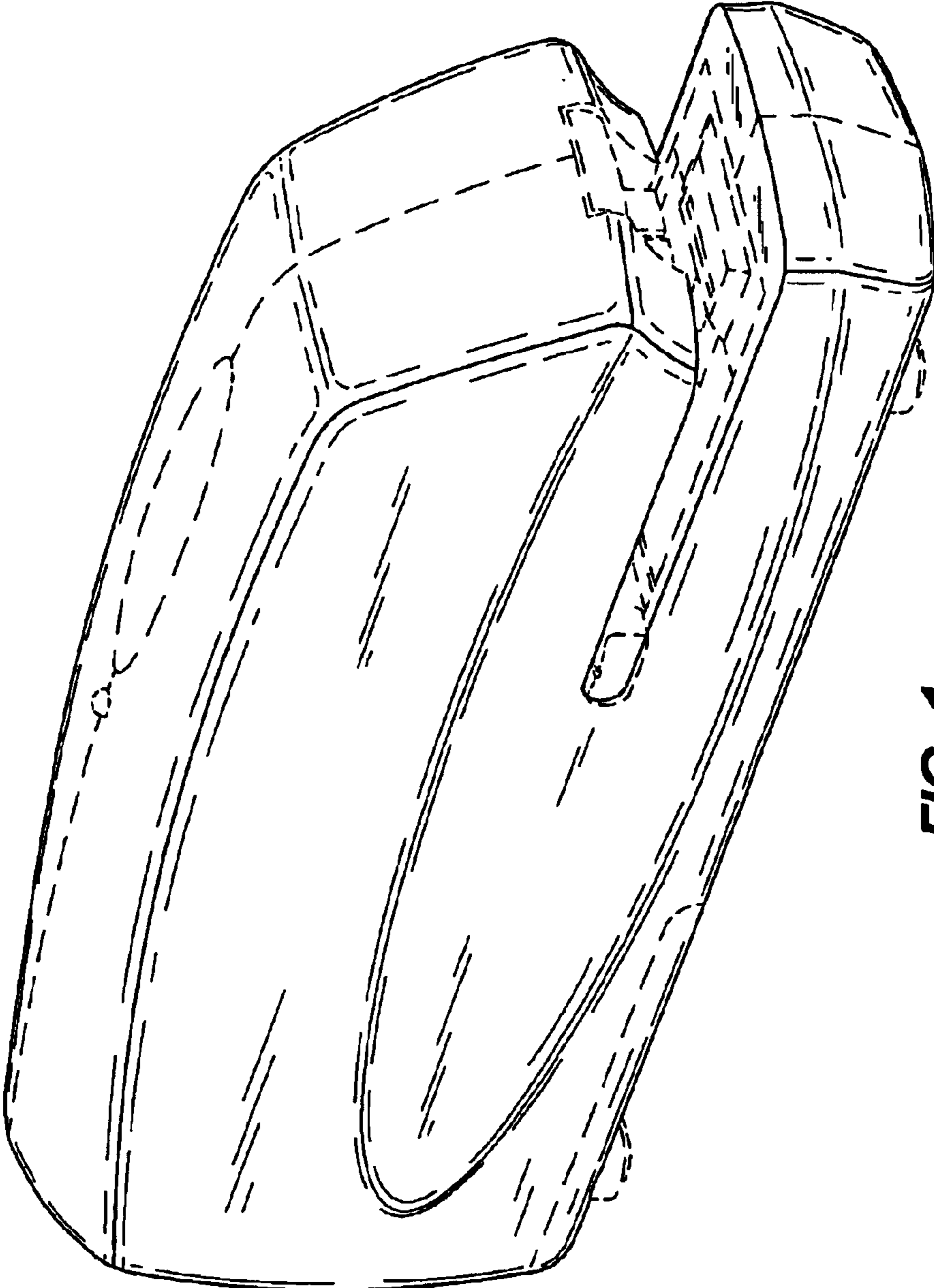


FIG. 1

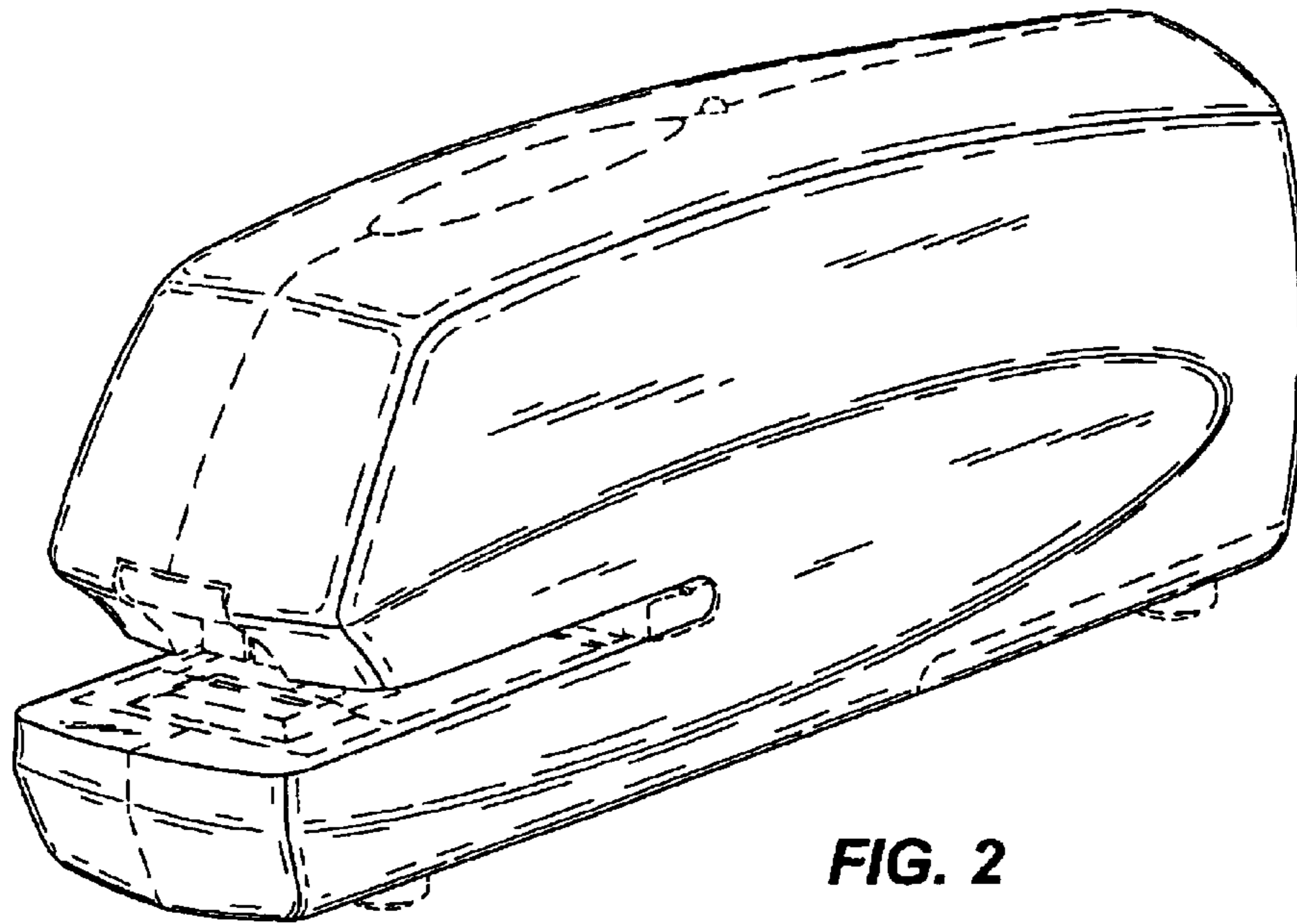


FIG. 2

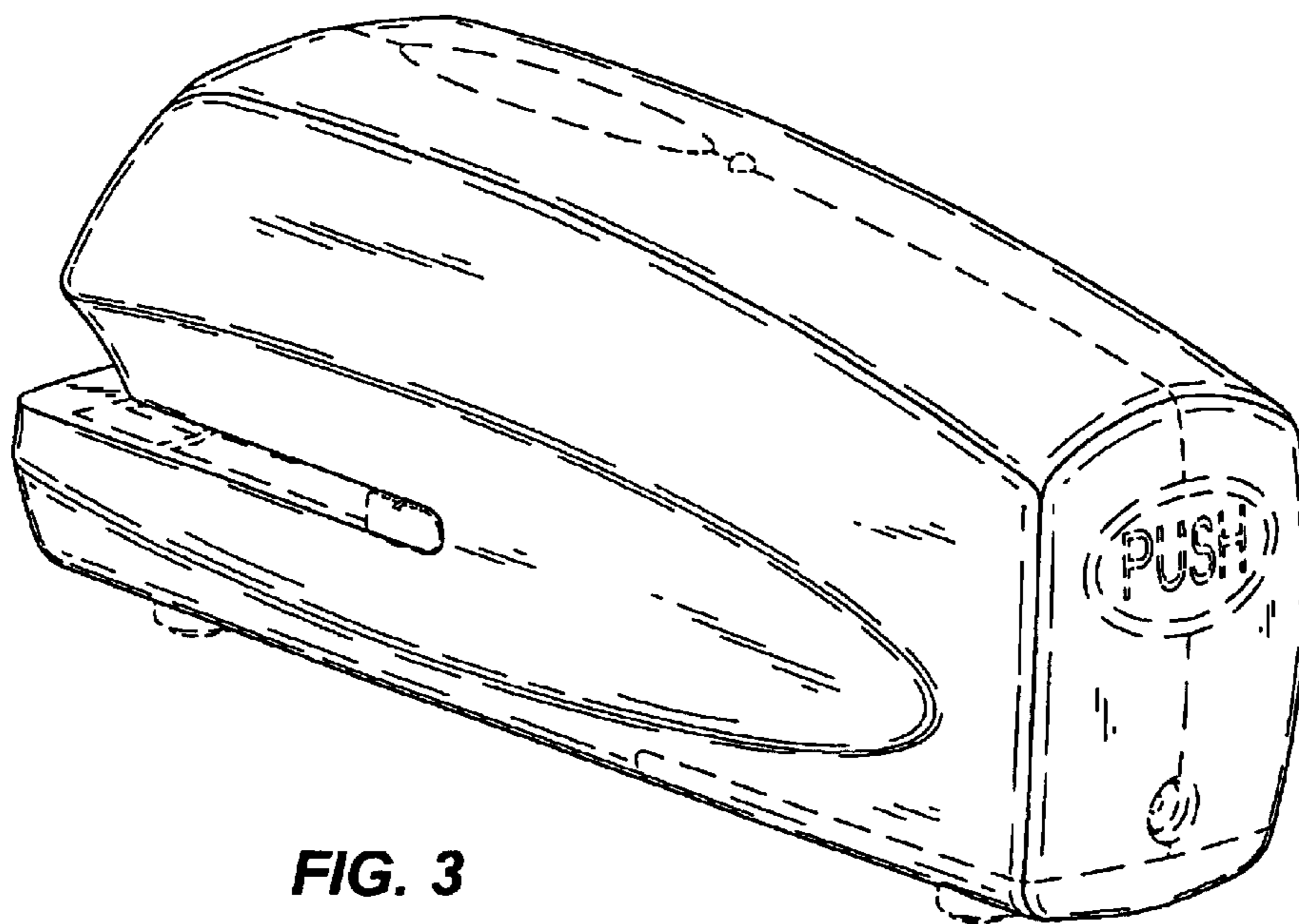


FIG. 3

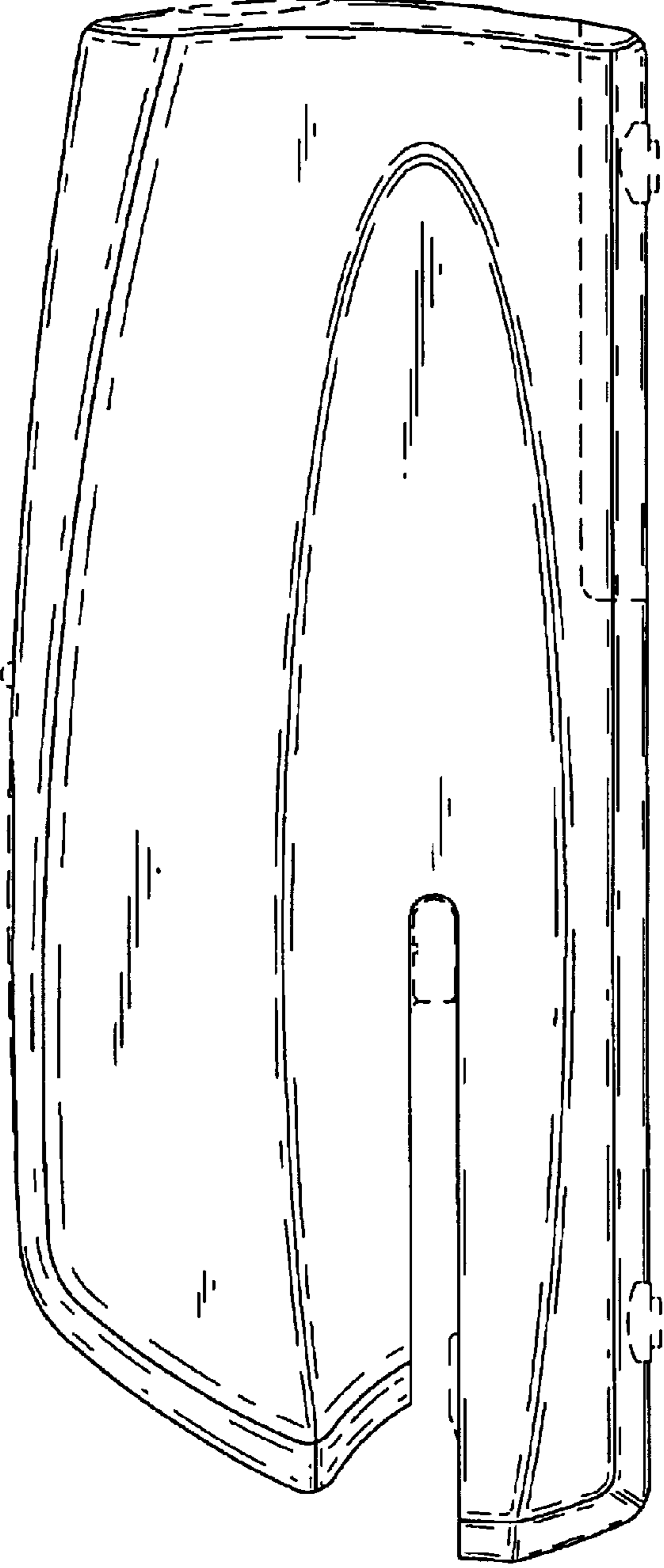


FIG. 4

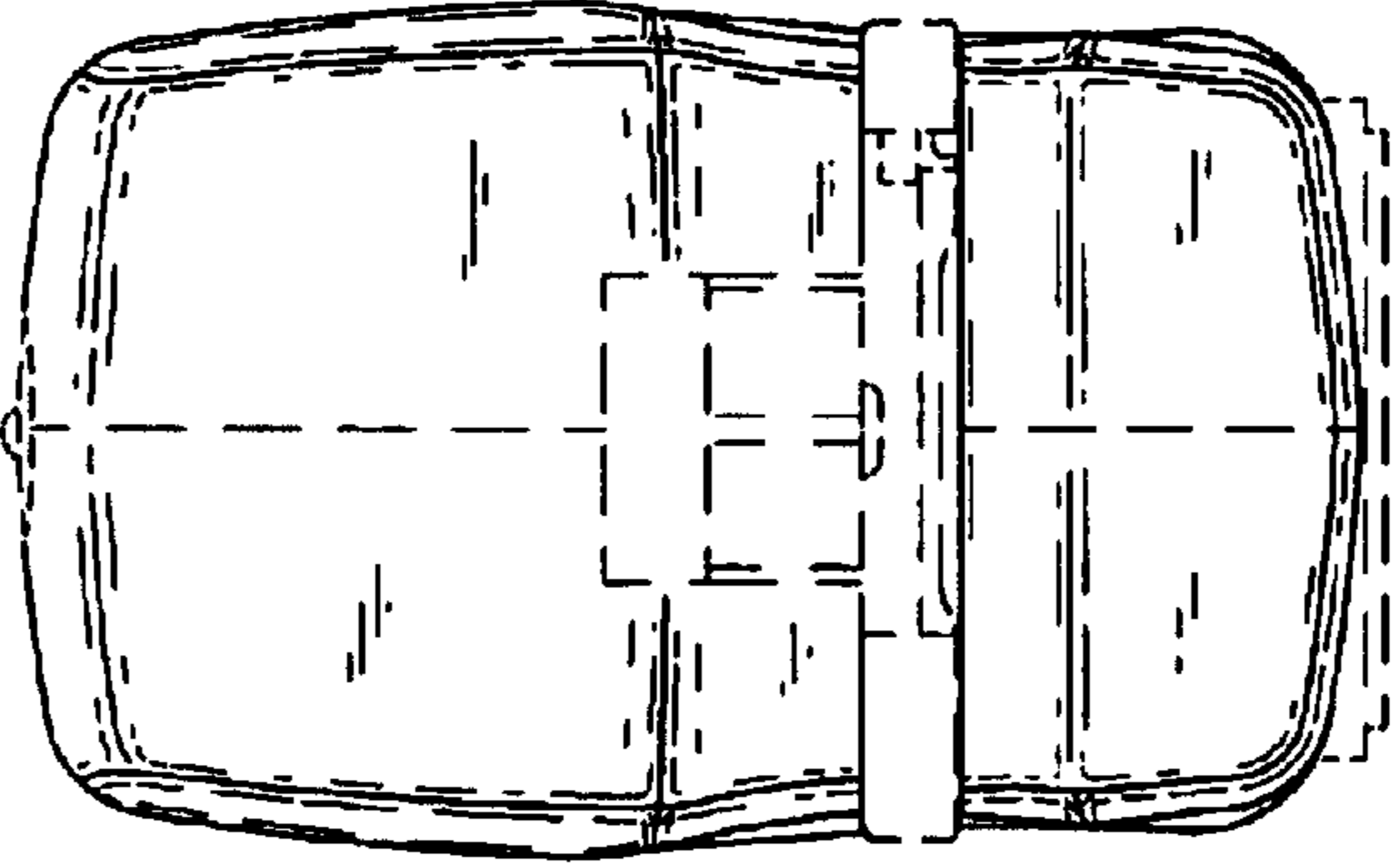


FIG. 5

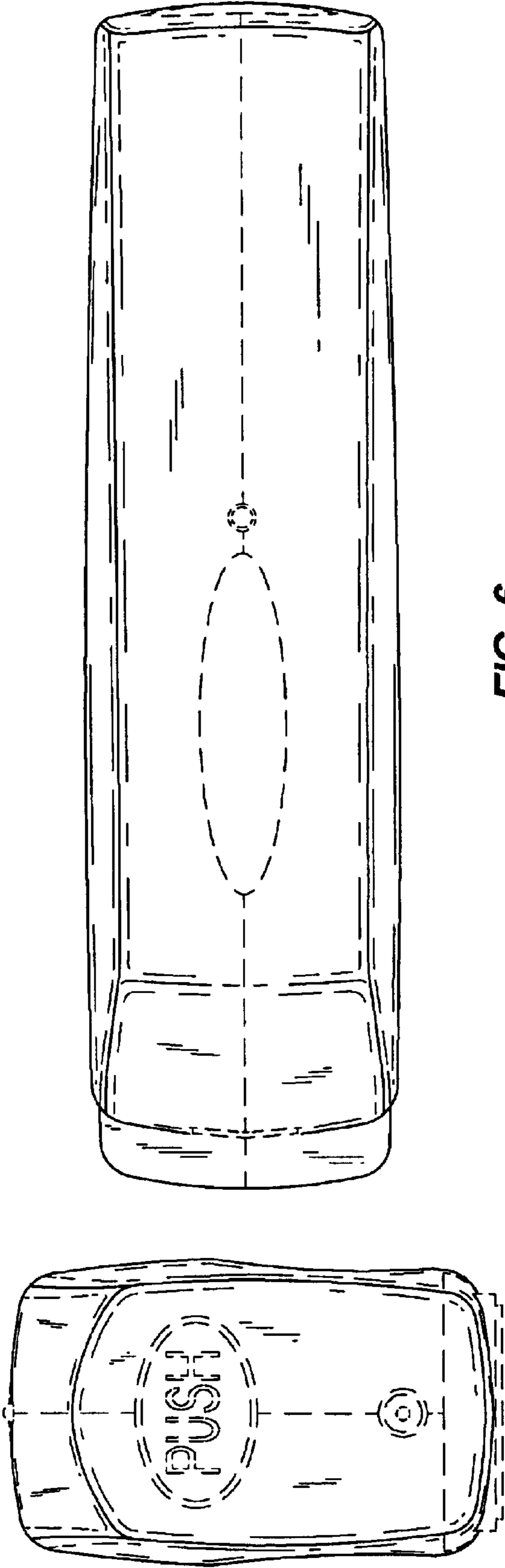


FIG. 6

FIG. 7