



US00D515892S

(12) **United States Design Patent** (10) **Patent No.:** **US D515,892 S**
VanDerMeid et al. (45) **Date of Patent:** **** Feb. 28, 2006**

(54) **INK CONTAINER OPENER**
(75) Inventors: **Michael J. VanDerMeid**, Livonia, NY (US); **Martin Finkle**, Rochester, NY (US); **Carl William Holland**, Webster, NY (US)

(73) Assignee: **Nu-kote International, Inc.**, Franklin, TN (US)

(**) Term: **14 Years**

(21) Appl. No.: **29/198,723**

(22) Filed: **Feb. 3, 2004**

(51) **LOC (8) Cl.** **08-08**

(52) **U.S. Cl.** **D8/40**

(58) **Field of Classification Search** D8/14, D8/33, 38, 40; 81/3.39

See application file for complete search history.

4,805,821 A	2/1989	Kowalczyk et al.
4,817,810 A	4/1989	Shull
5,031,485 A	7/1991	Wu
5,129,566 A	7/1992	Ogden et al.
5,199,470 A	4/1993	Goldman
D336,023 S	* 6/1993	Alpers D8/40
5,295,419 A	3/1994	Denning
5,537,134 A	7/1996	Baldwin et al.
5,546,830 A	8/1996	Yuen
5,551,643 A	9/1996	Chapin
5,657,678 A	8/1997	Cohen
5,704,403 A	1/1998	Schwenk et al.
5,838,352 A	11/1998	Martinez
5,845,682 A	12/1998	Hayao
5,906,143 A	5/1999	Yuen
6,053,604 A	4/2000	Sato et al.
6,116,724 A	9/2000	Burse
D437,534 S	2/2001	Gloden

FOREIGN PATENT DOCUMENTS

WO WO 97/47475 12/1997

* cited by examiner

Primary Examiner—Holly H. Baynham
(74) *Attorney, Agent, or Firm*—Fay, Sharpe, Fagan, Minnich & McKee, LLP

(57) **CLAIM**

The ornamental design for an ink container opener, as shown and described.

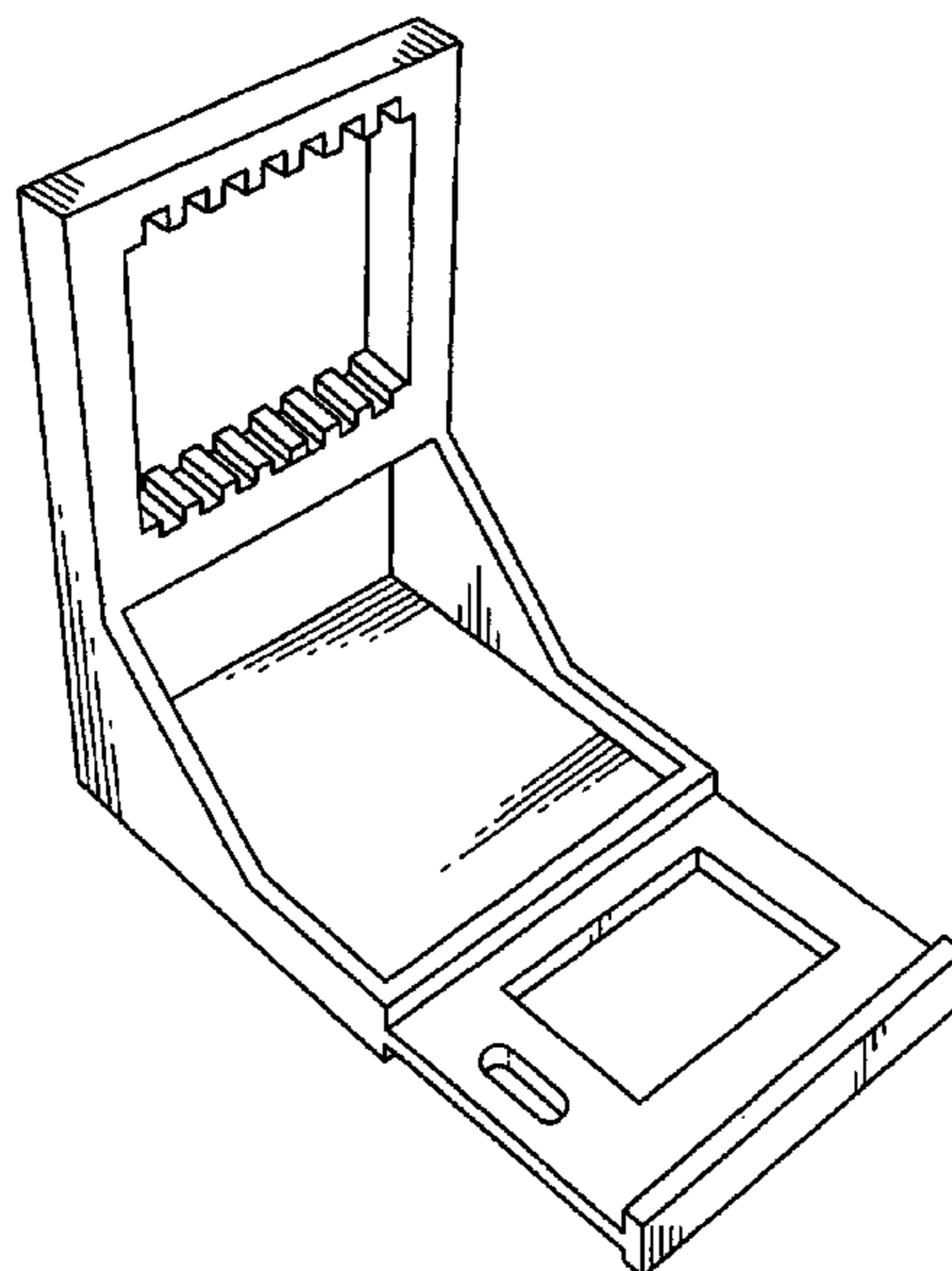
DESCRIPTION

FIG. 1 is a perspective view of an ink container opener illustrating our new design;
FIG. 2 is a rear elevational view thereof;
FIG. 3 is a front elevational view thereof;
FIG. 4 is a top plan view thereof;
FIG. 5 is a left side elevational view thereof; and,
FIG. 6 is a bottom plan view thereof.

1 Claim, 2 Drawing Sheets

(56) **References Cited**
U.S. PATENT DOCUMENTS

1,376,994 A	5/1921	Arnold
2,057,614 A	10/1936	Girard
2,386,460 A	10/1945	Heim
2,526,362 A	10/1950	Johnston
2,554,948 A	5/1951	Kiefer
2,818,701 A	1/1958	Erkkila
2,876,665 A	3/1959	Lecours
3,404,593 A	10/1968	Arcarese et al.
3,828,976 A	8/1974	Sidelinker
3,993,220 A	11/1976	Troy
4,026,262 A	5/1977	Yasuga
4,171,055 A	10/1979	Lindgren
4,248,564 A	2/1981	Gentile et al.
4,378,624 A	4/1983	Klingenberg
D281,389 S	* 11/1985	Summers D8/40
4,708,033 A	11/1987	Eash
4,768,271 A	9/1988	Jacob et al.



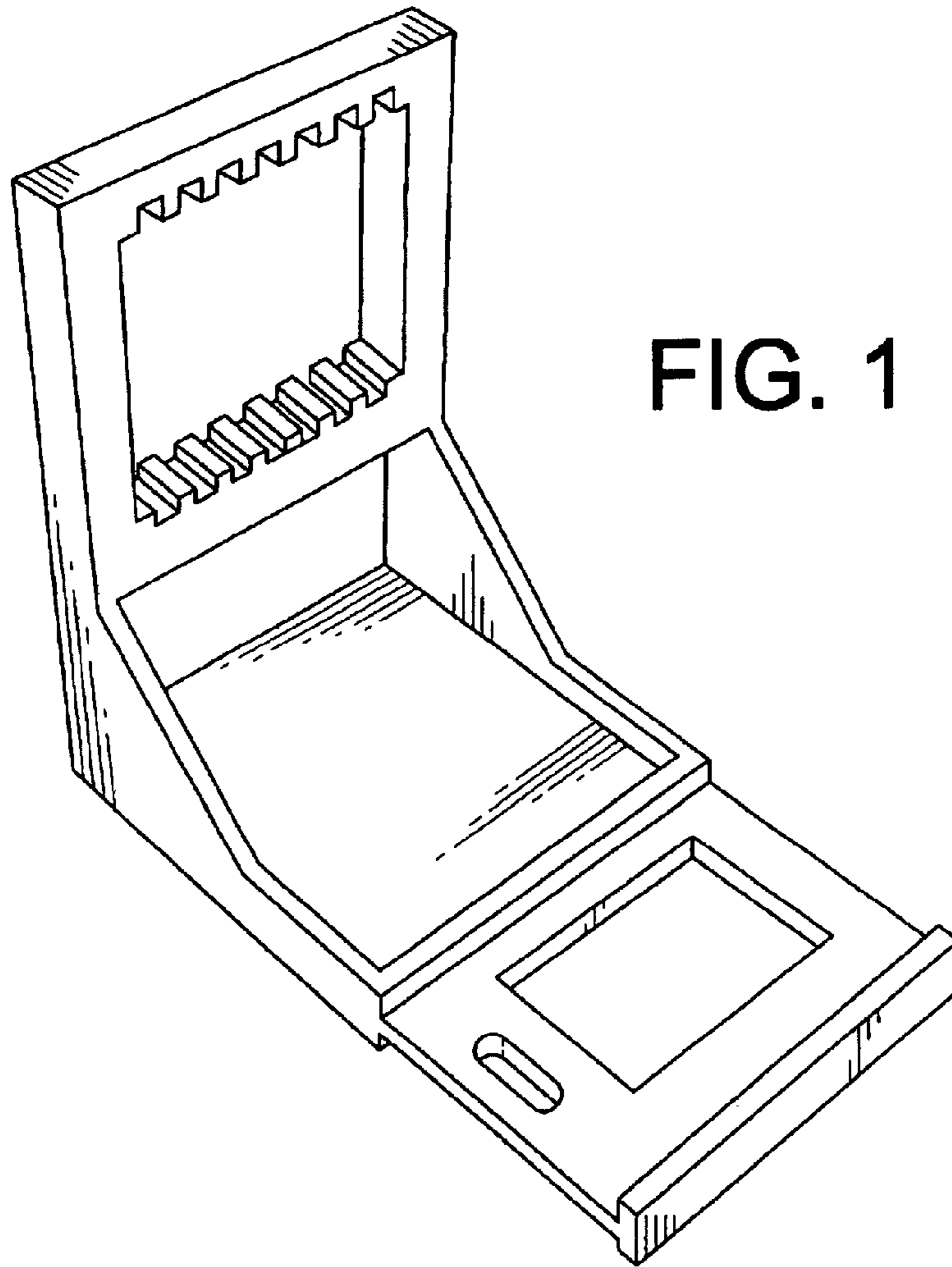


FIG. 1

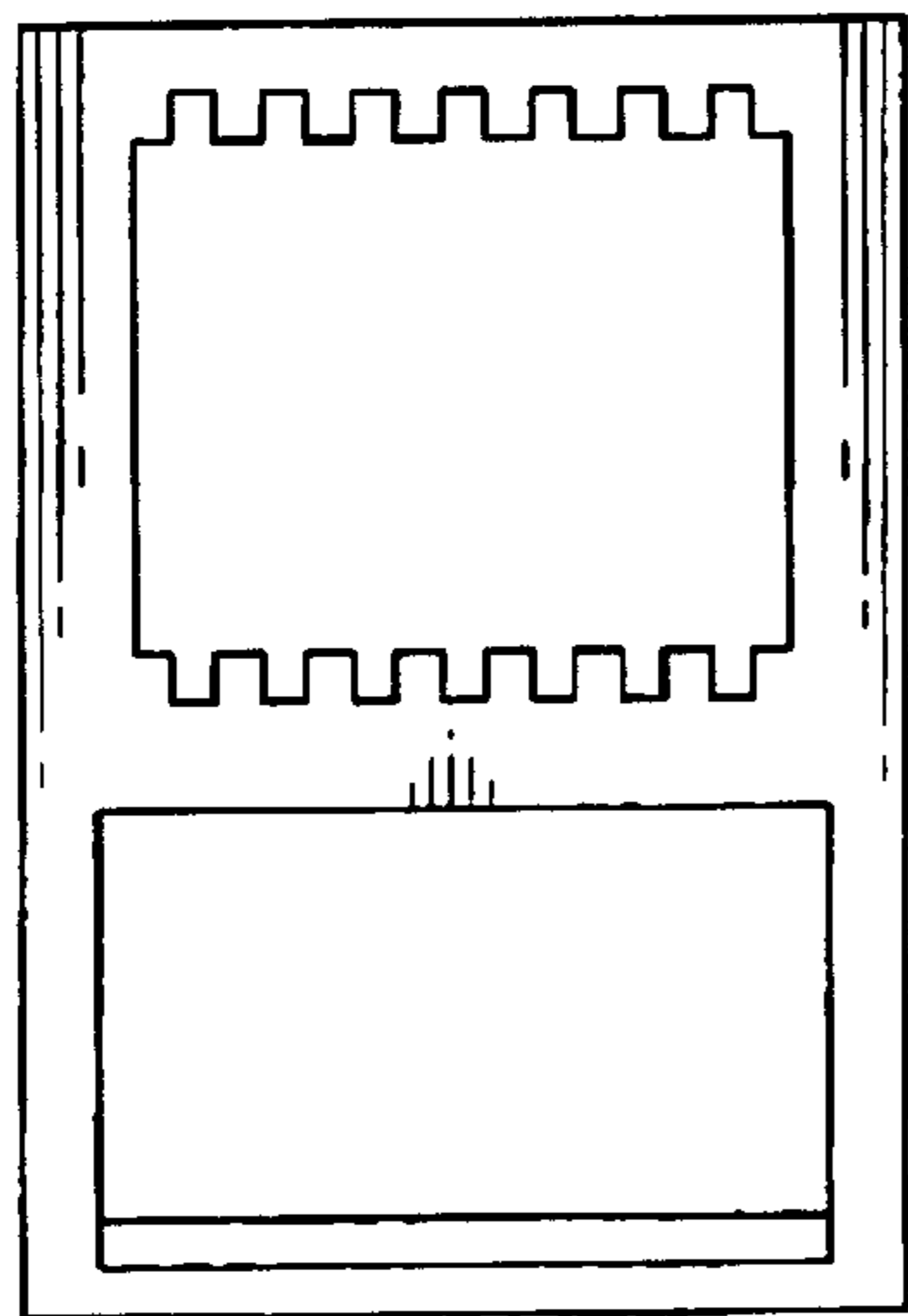


FIG. 2

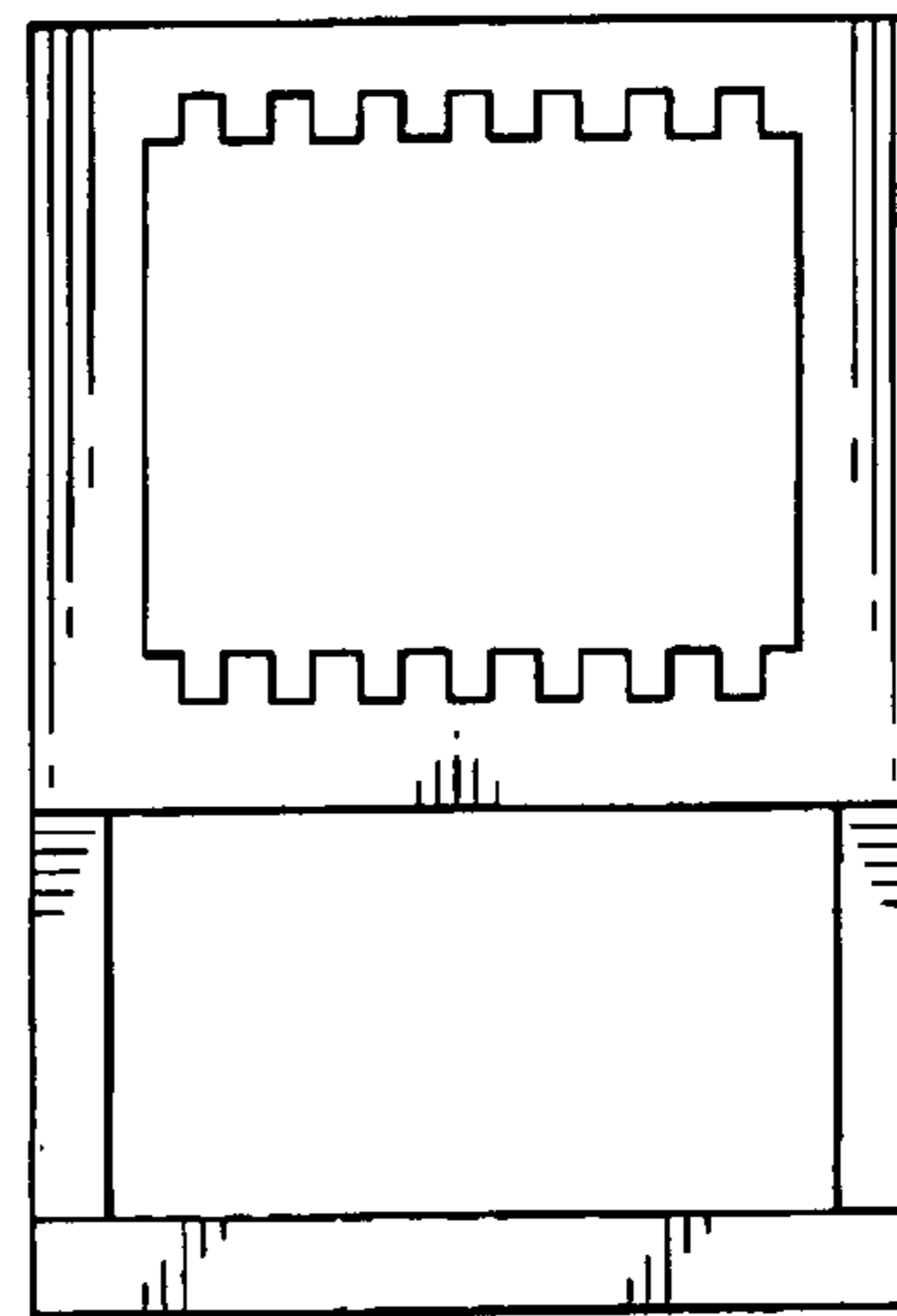


FIG. 3

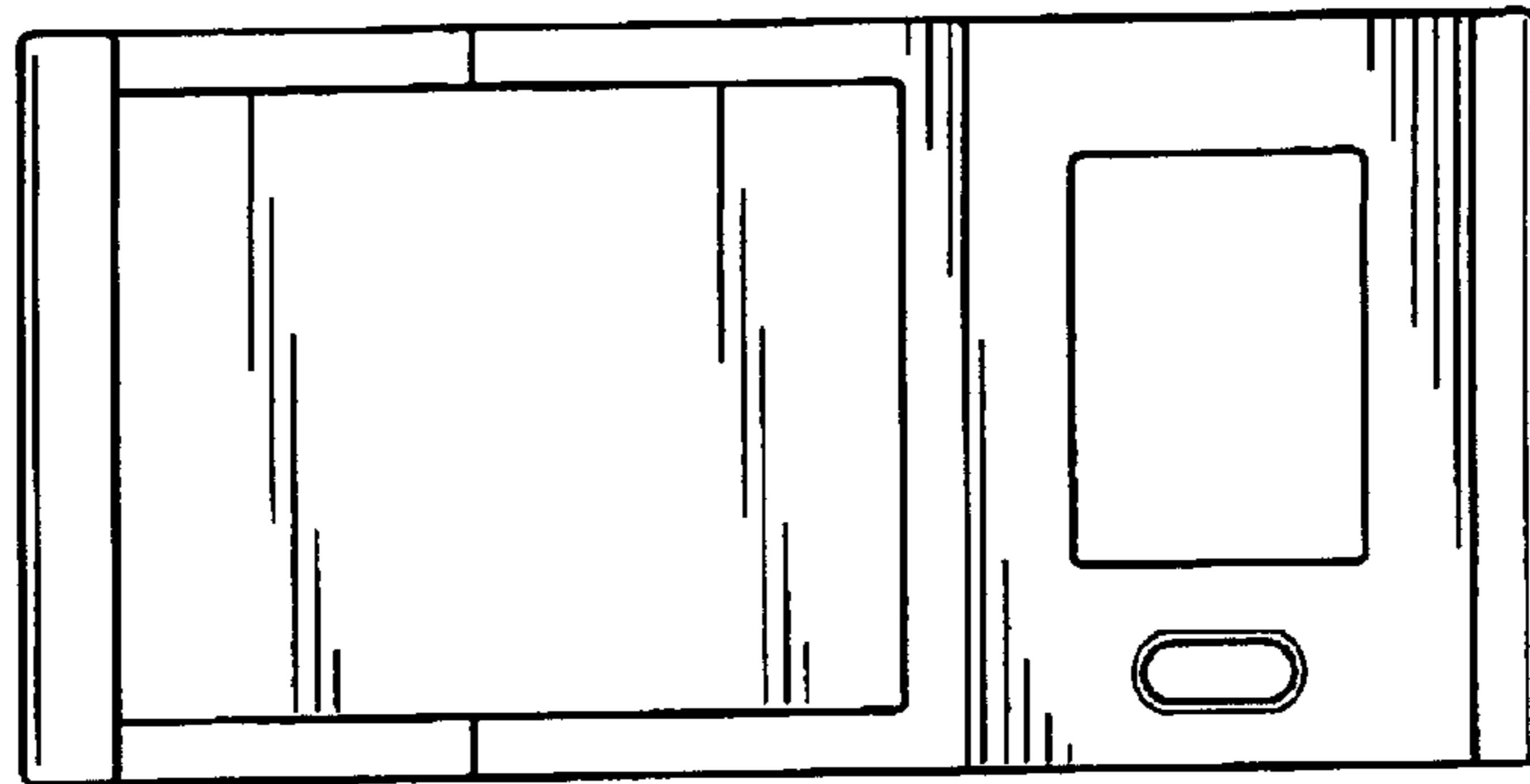


FIG. 4

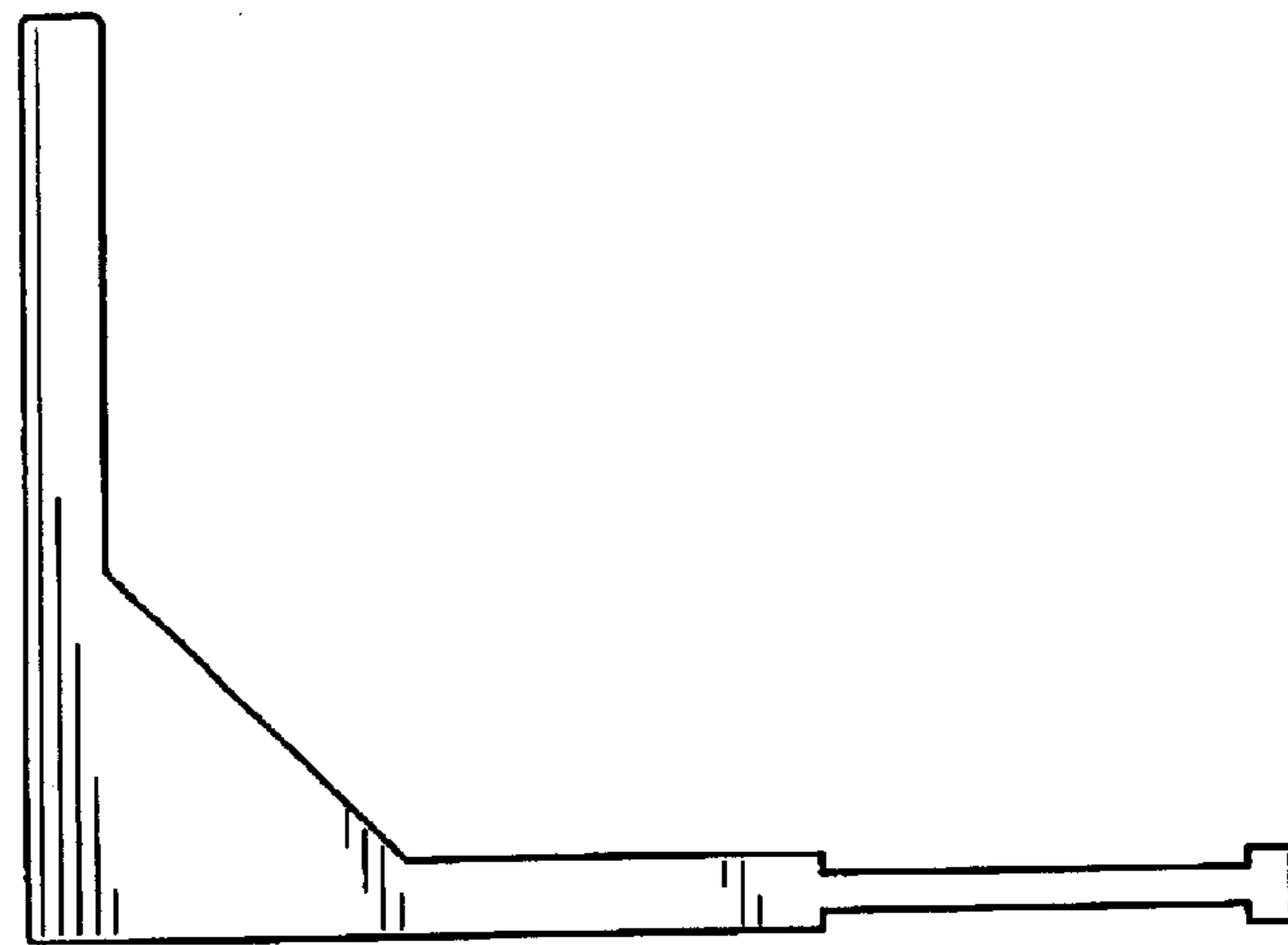


FIG. 5

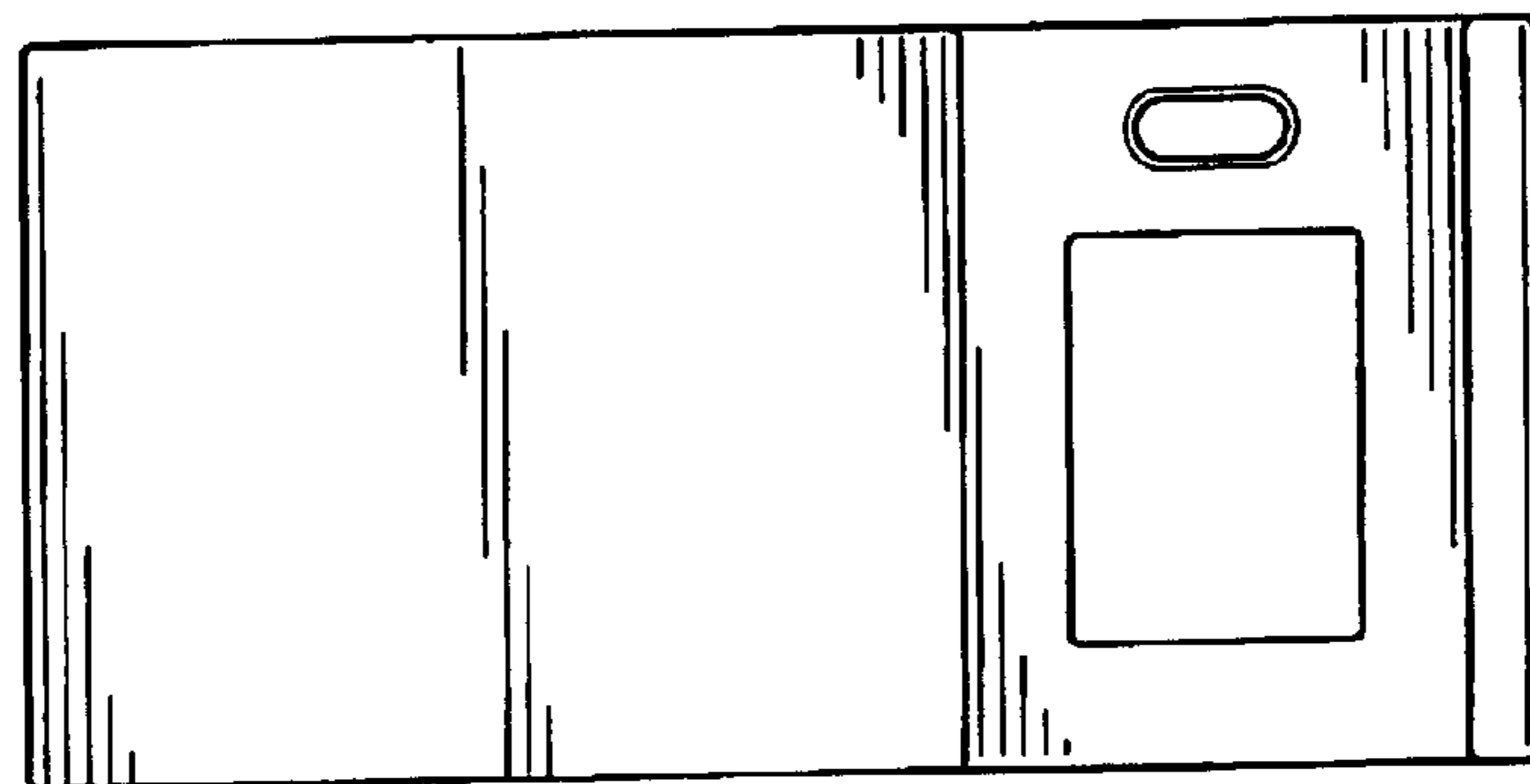


FIG. 6