



US00D515891S

(12) **United States Design Patent**
Cortez et al.

(10) **Patent No.:** **US D515,891 S**
(45) **Date of Patent:** **** Feb. 28, 2006**

(54) **UNIVERSAL HUB REMOVAL SET**

(76) Inventors: **Frank L. Cortez**, 33181 W. 191st St. South, Bristow, OK (US) 74010; **Sheryl L. Cortez**, 33181 W. 191st St. South, Bristow, OK (US) 74010

(**) **Term:** **14 Years**

(21) **Appl. No.:** **29/172,184**

(22) **Filed:** **Dec. 9, 2002**

(51) **LOC (8) Cl.** **08-05**

(52) **U.S. Cl.** **D8/31; 157/1.24**

(58) **Field of Classification Search** **D8/31, D8/88-89; 157/1, 1.1, 1.3, 1.17, 1.24; 254/131; 81/15.2; D15/199**

See application file for complete search history.

(56) **References Cited**

U.S. PATENT DOCUMENTS

3,067,807 A * 12/1962 Vlastic 157/1.26
D238,044 S * 12/1975 Mieczyslaw D8/31

5,337,817 A * 8/1994 Steinbeck et al. 157/21
5,678,621 A * 10/1997 Trant 157/1.1
5,836,368 A * 11/1998 Corghi 157/1.24
6,182,735 B1 * 2/2001 du Quesne 157/1.17

* cited by examiner

Primary Examiner—Pamela Burgess

(57) **CLAIM**

The ornamental design for a universal hub removal set, as shown and described.

DESCRIPTION

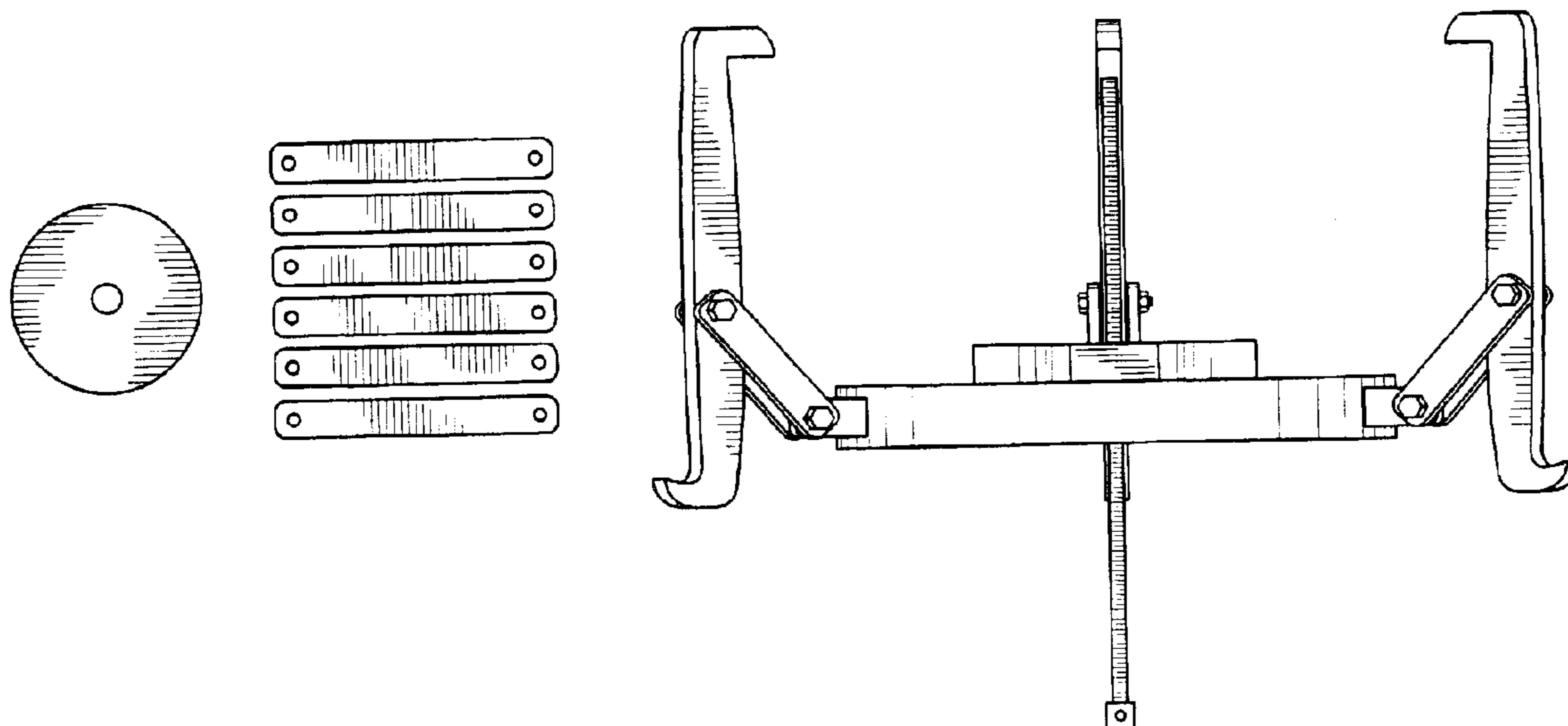
FIG. 1 is a front elevated view of a universal hub removal set showing my new design.

FIG. 2 is a rear elevated view of the universal hub removal set.

FIG. 3 is a top plan view of the universal hub removal set; and,

FIG. 4 is a bottom plan view of the universal hub removal set.

1 Claim, 4 Drawing Sheets



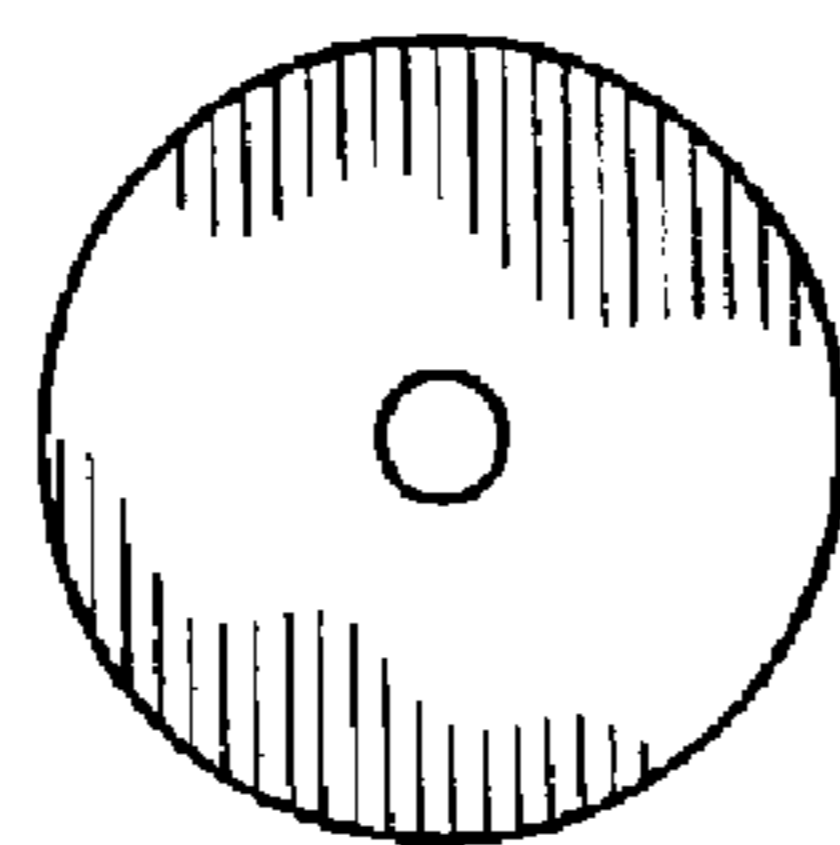
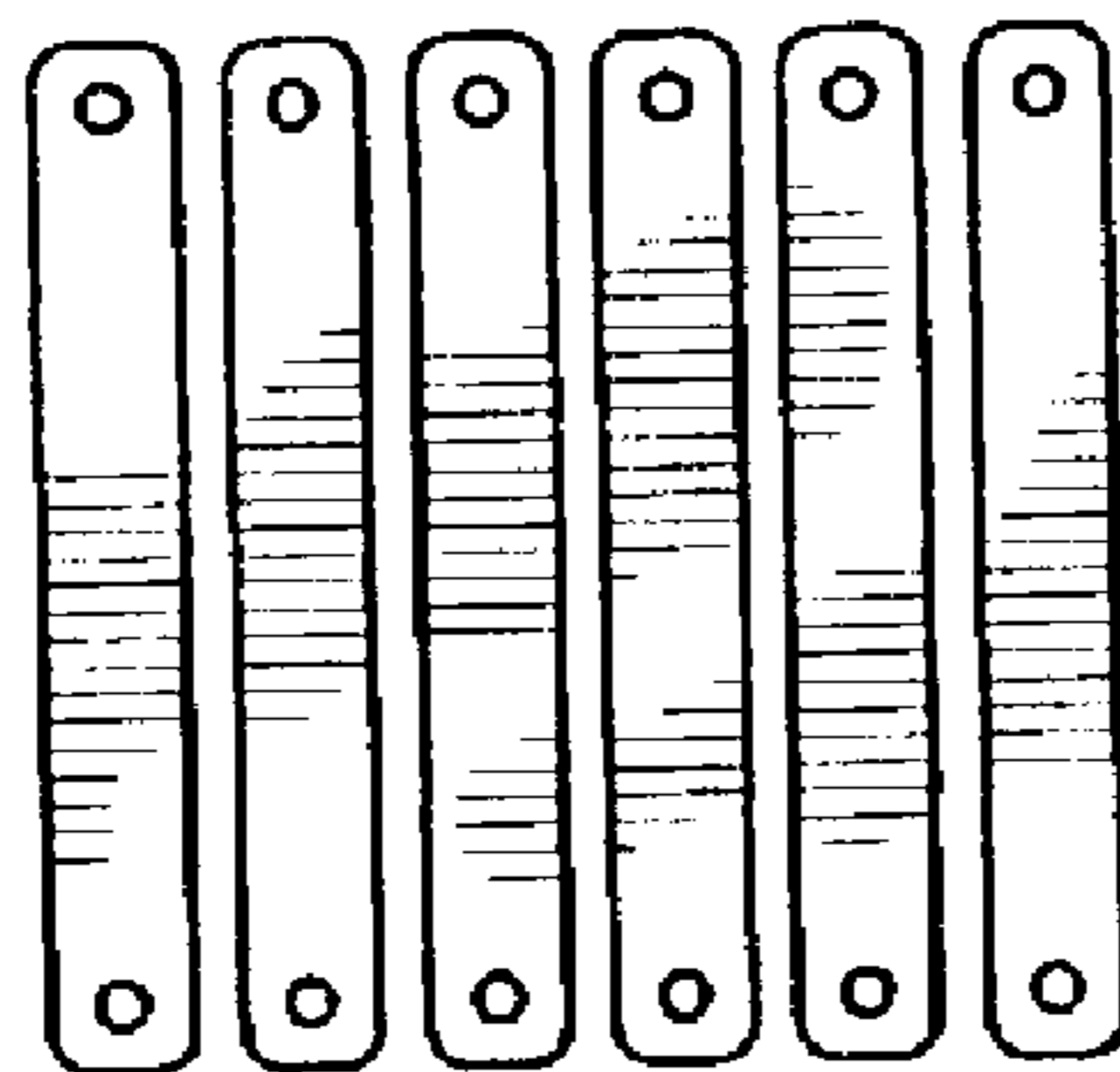
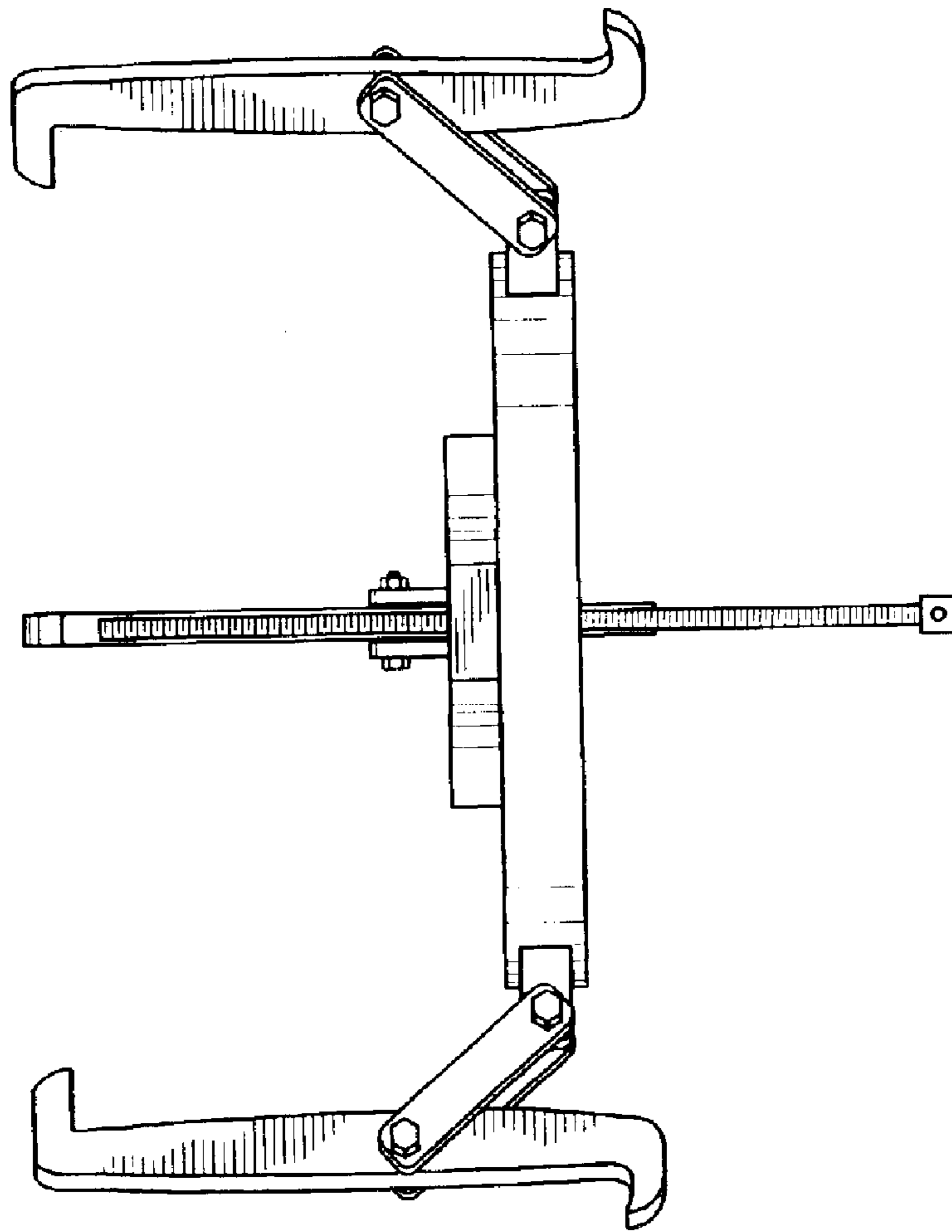


FIG.1

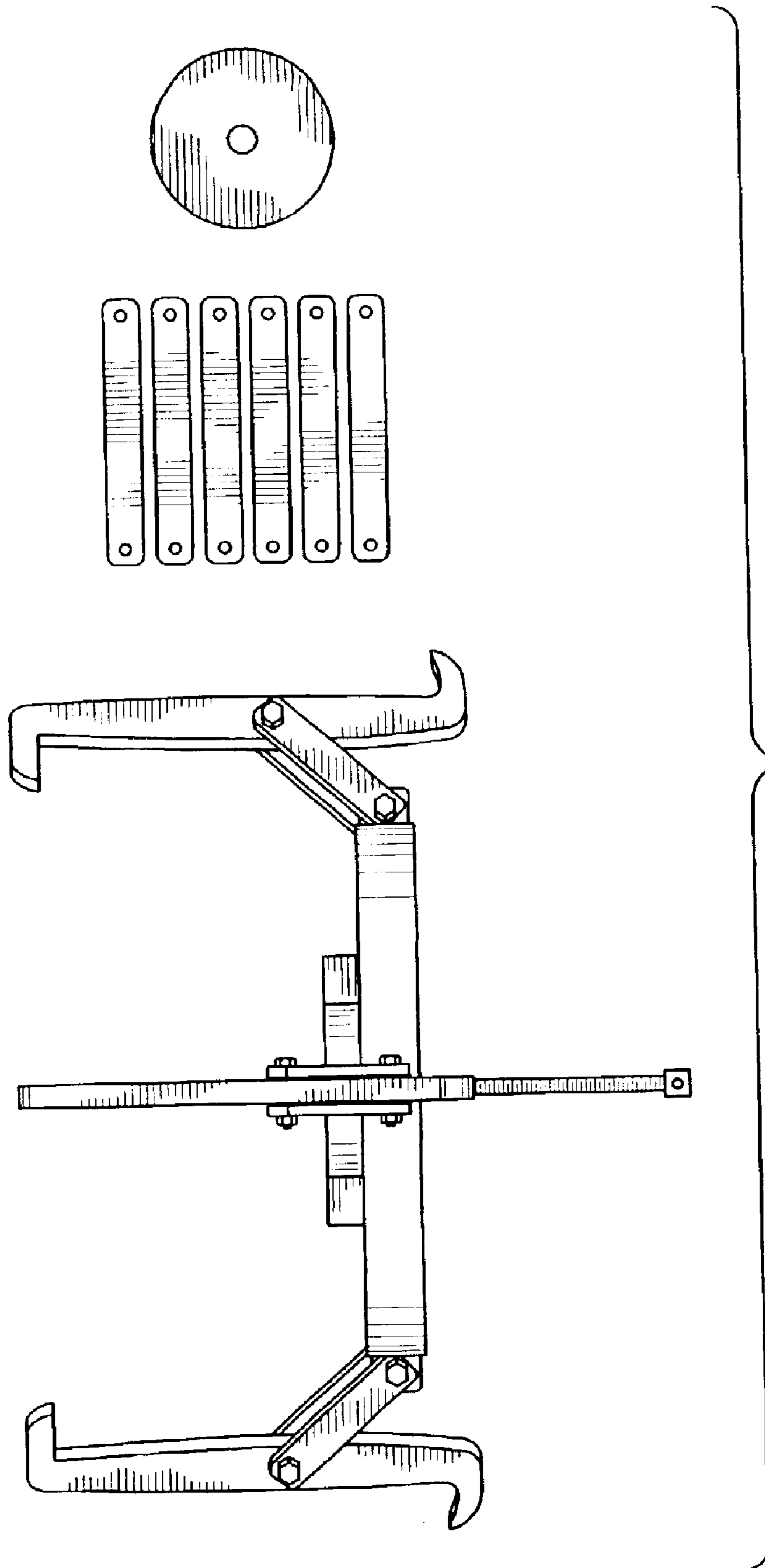


FIG. 2

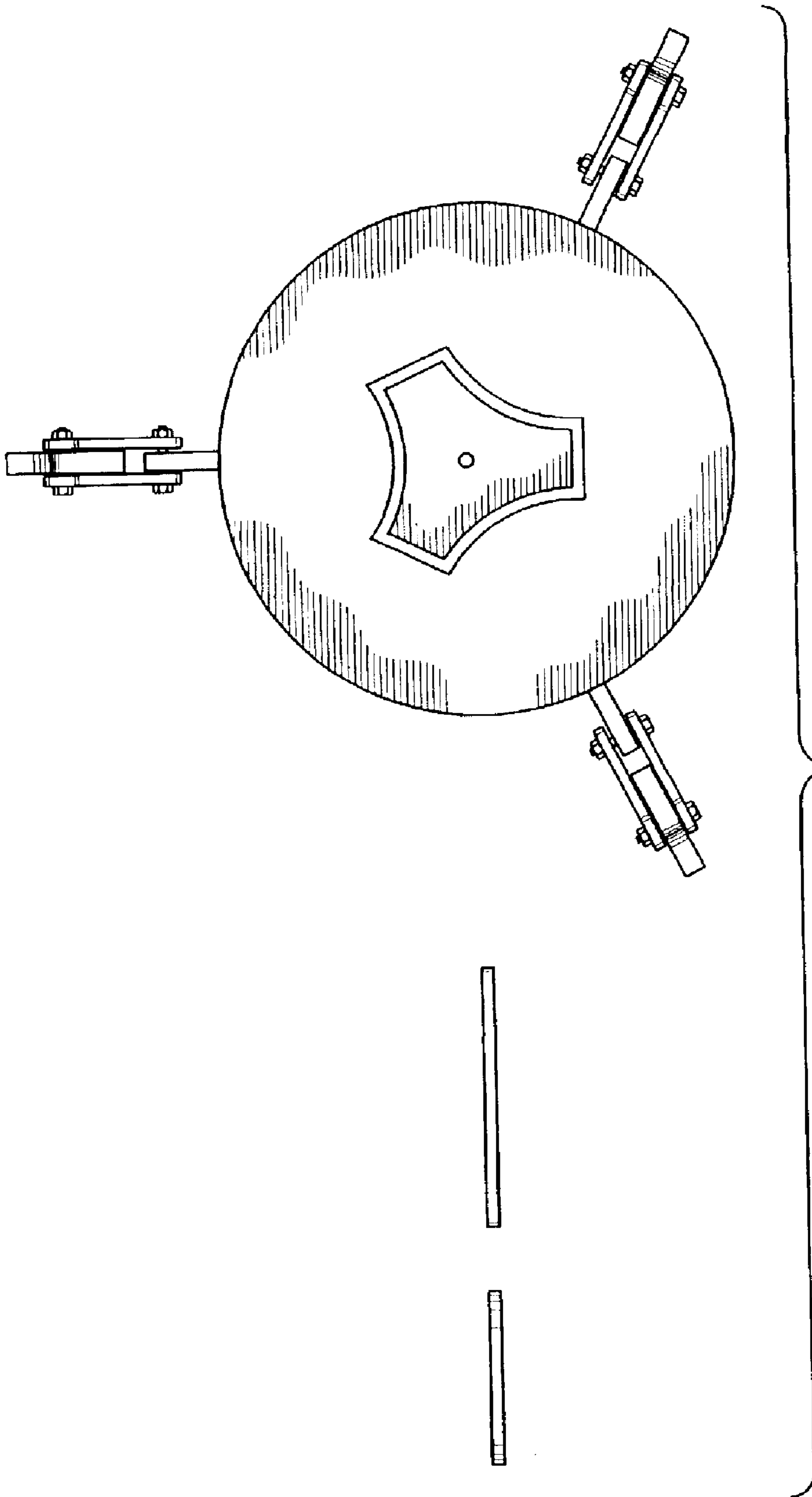


FIG.3

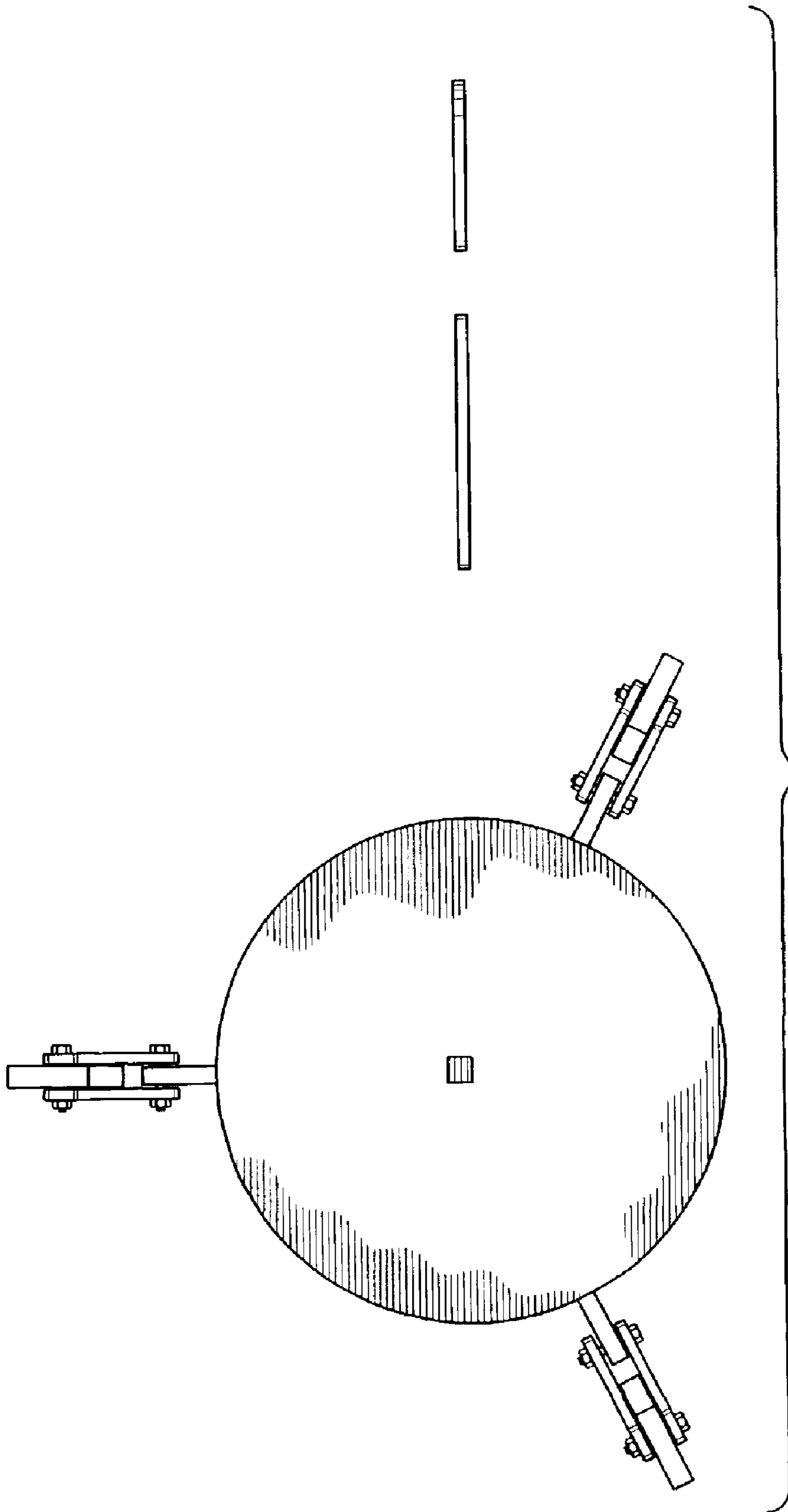


FIG.4