



US00D515889S

(12) **United States Design Patent**
Hu

(10) **Patent No.:** **US D515,889 S**
(45) **Date of Patent:** **** Feb. 28, 2006**

(54) **WRENCH**

(76) **Inventor:** **Bobby Hu**, 8F, No. 536~1, Ta Chin Street, Taichung Chung (TW)

(**) **Term:** **14 Years**

(21) **Appl. No.:** **29/207,926**

(22) **Filed:** **Jun. 21, 2004**

(51) **LOC (8) Cl.** **08-05**

(52) **U.S. Cl.** **D8/25; D8/28**

(58) **Field of Classification Search** D8/21~29;
81/60~63.2, 177.1, 177.85, 177.8, 489, 125.1,
81/121.1, 120, 119, 176.1; 206/378
See application file for complete search history.

(56) **References Cited**

U.S. PATENT DOCUMENTS

- 5,964,129 A * 10/1999 Shiao 81/63.2
- 6,513,409 B1 * 2/2003 Lee 81/63
- D474,381 S * 5/2003 Lee et al. D8/28

6,761,092 B2 * 7/2004 Hsien 81/63.2

* cited by examiner

Primary Examiner—Raphael Barkai

Assistant Examiner—Randall H. Gholson

(74) *Attorney, Agent, or Firm*—Alan D. Kamrath; Nikolai & Mersereau, P.A.

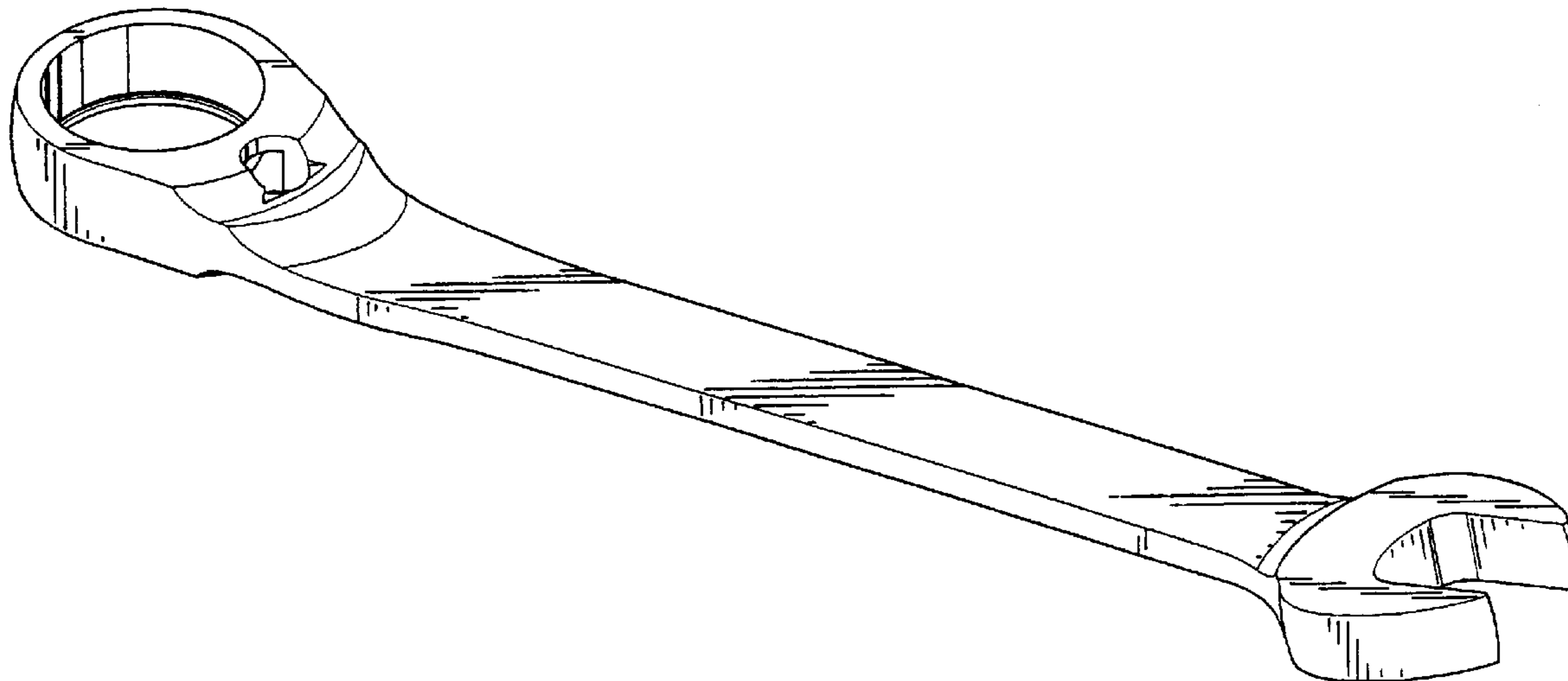
(57) **CLAIM**

The ornamental design for wrench, as shown and described.

DESCRIPTION

FIG. 1 is a perspective view of a wrench showing my new design;
FIG. 2 is a front view thereof;
FIG. 3 is a rear view thereof;
FIG. 4 is a left view thereof;
FIG. 5 is a right view thereof;
FIG. 6 is a top view thereof; and,
FIG. 7 is a bottom view thereof.

1 Claim, 2 Drawing Sheets



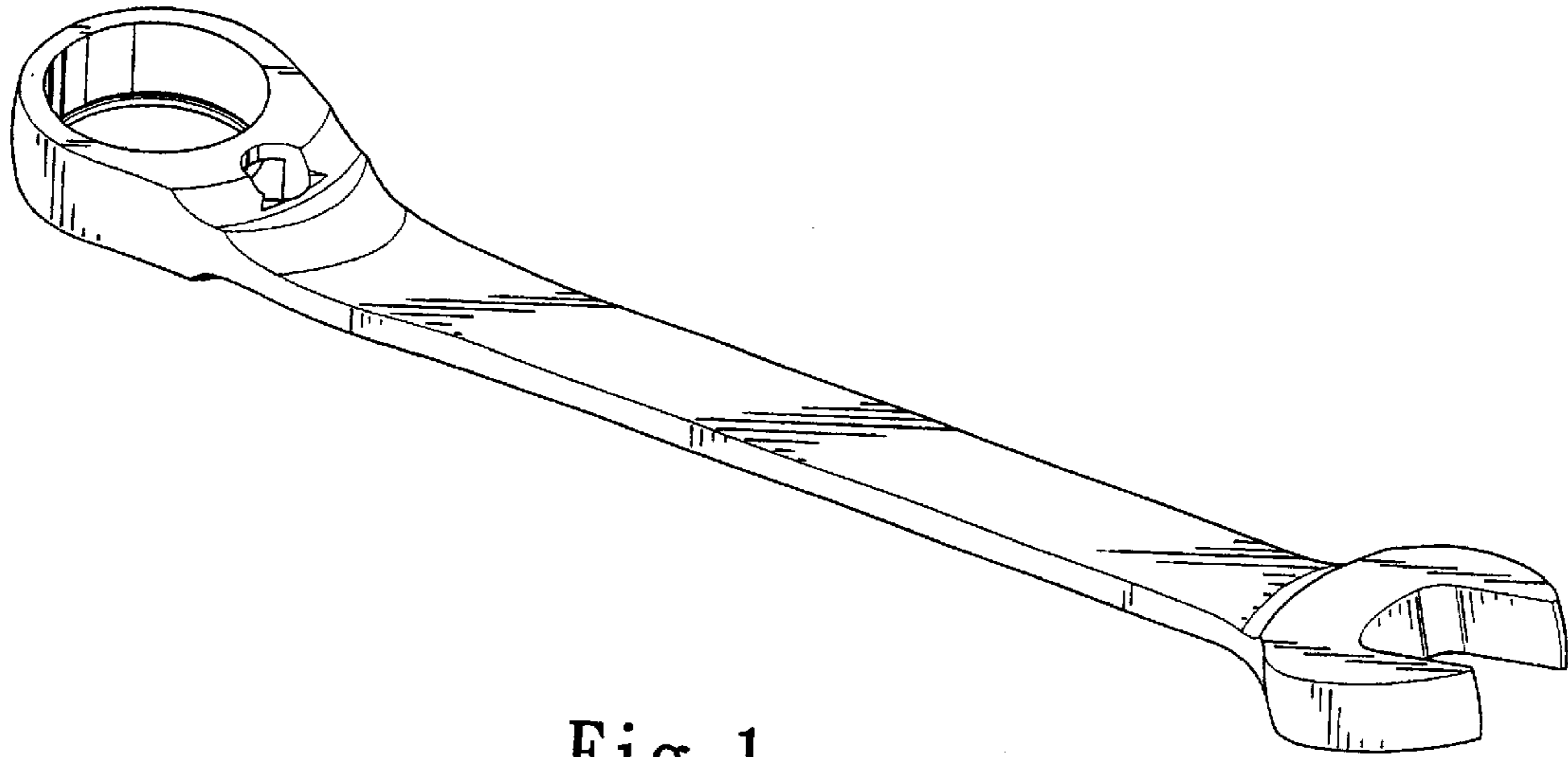


Fig. 1

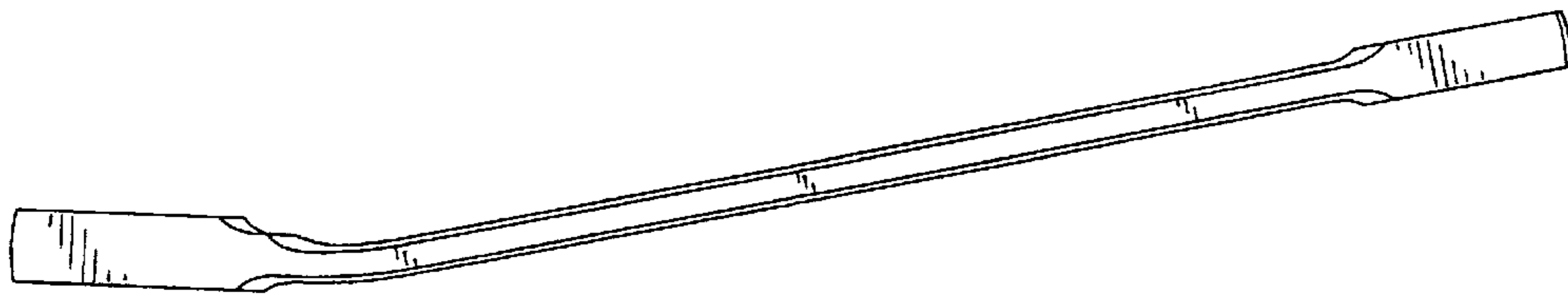


Fig. 2

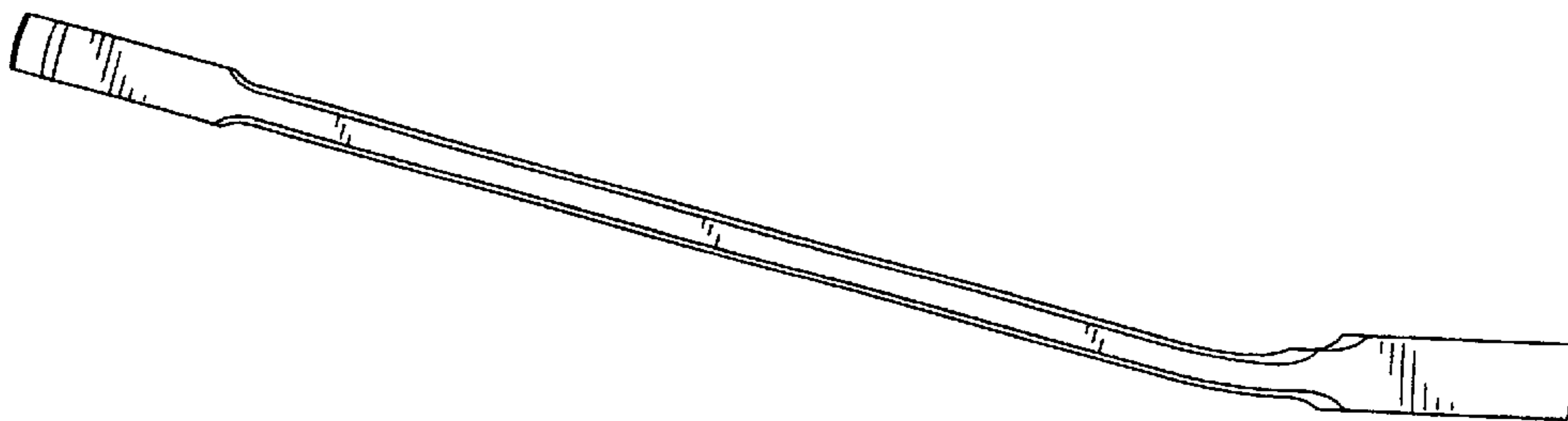


Fig. 3

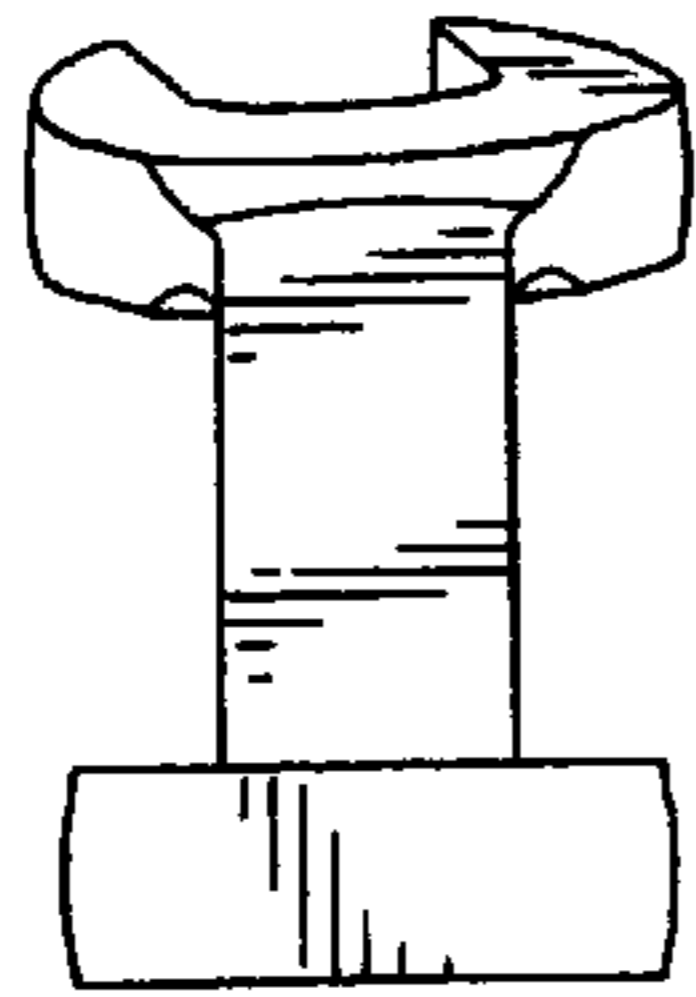


Fig. 4

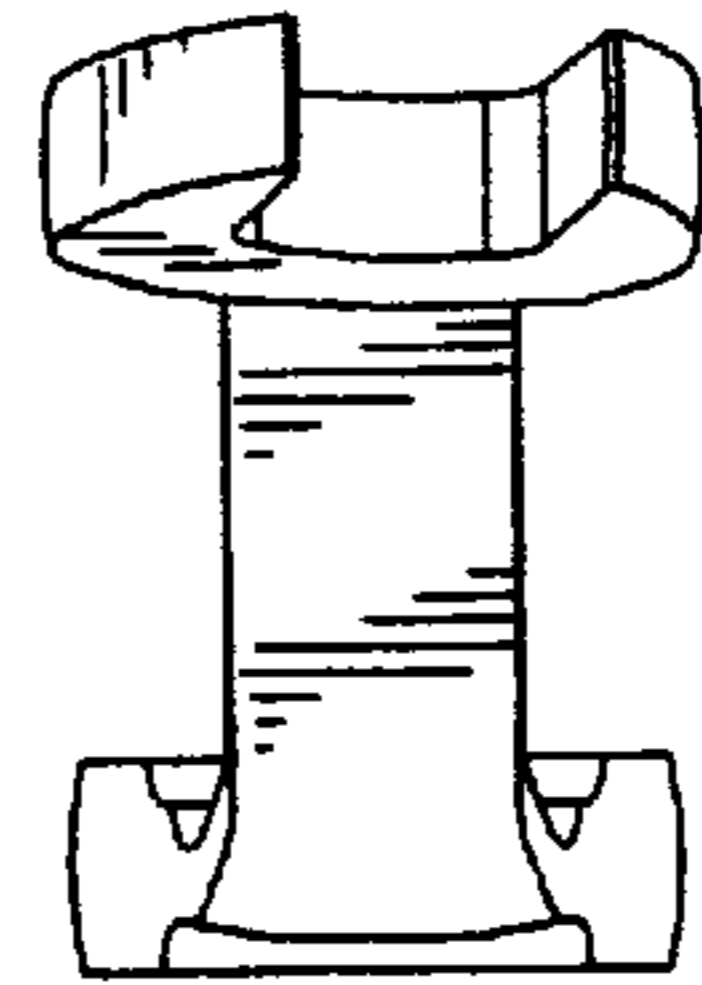


Fig. 5

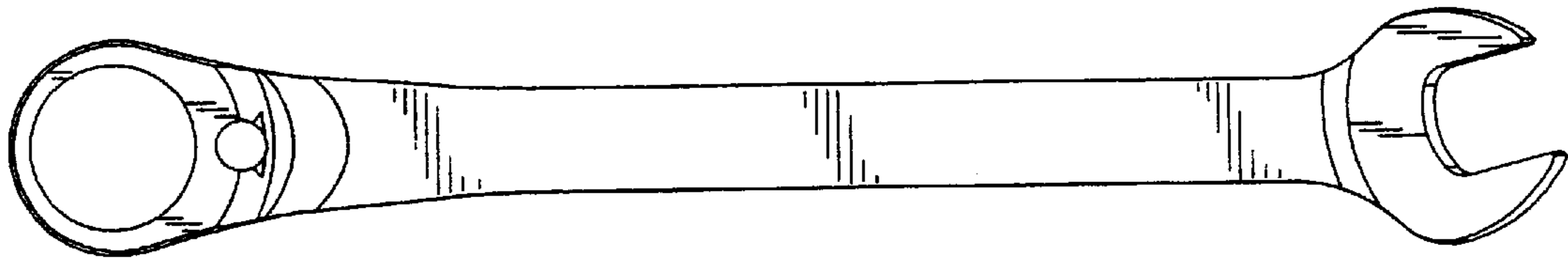


Fig. 6

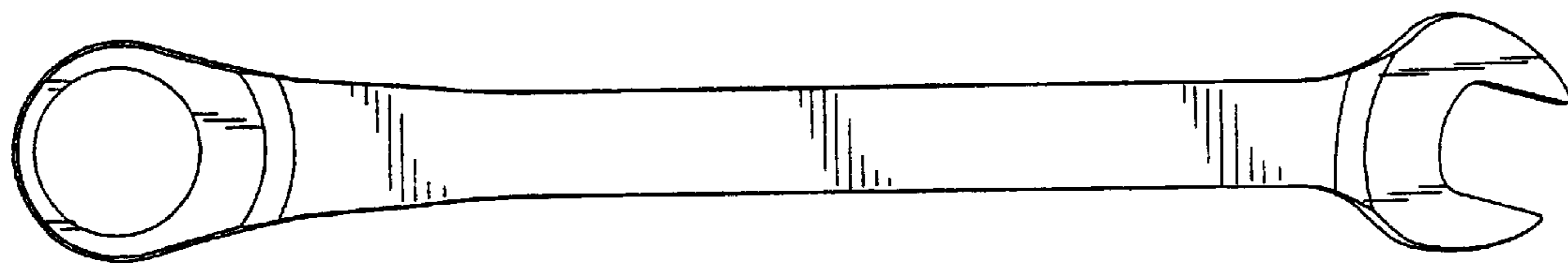


Fig. 7