

US00D515886S

(12) **United States Design Patent** (10) **Patent No.:** **US D515,886 S**
McAnally (45) **Date of Patent:** **** Feb. 28, 2006**

(54) **ACTUATING KNOB FOR ADJUSTING LOUVERS**

D320,336 S * 10/1991 Johansson D8/311
 5,983,455 A * 11/1999 Polzin et al. 16/429
 6,009,779 A * 1/2000 Mastroni 81/438
 6,461,074 B2 * 10/2002 Taylor 403/378

(76) Inventor: **David Keith McAnally**, P.O. Box 744, Paragould, AR (US) 72451

* cited by examiner

(**) Term: **14 Years**

Primary Examiner—Holly H. Baynham
 (74) *Attorney, Agent, or Firm*—Stephen D. Carver

(21) Appl. No.: **29/230,418**

(22) Filed: **May 23, 2005**

(57) **CLAIM**

The ornamental design for a actuating knob for adjusting louvers, as shown and described.

Related U.S. Application Data

DESCRIPTION

(62) Division of application No. 29/193,389, filed on Nov. 10, 2003.

(51) **LOC (8) Cl.** **08-05**

FIG. 1 is a left side elevational view of the actuating knob, the opposite side comprising a mirror image thereof;

(52) **U.S. Cl.** **D8/14; D8/300**

FIG. 2 is a front plan view of the actuating knob, the rear comprising a mirror image thereof;

(58) **Field of Classification Search** D8/14,

FIG. 3 is a top plan view of the actuating knob;

D8/310–311, 313, 300; 81/53.1, 53.11, 53.12
See application file for complete search history.

FIG. 4 is a bottom plan view of the actuating knob;

FIG. 5 is a frontal isometric view of the actuating knob; and,

FIG. 6 is a bottom isometric view of the actuating knob.

(56) **References Cited**

U.S. PATENT DOCUMENTS

4,911,039 A * 3/1990 Lubbock et al. 81/53.1

1 Claim, 6 Drawing Sheets

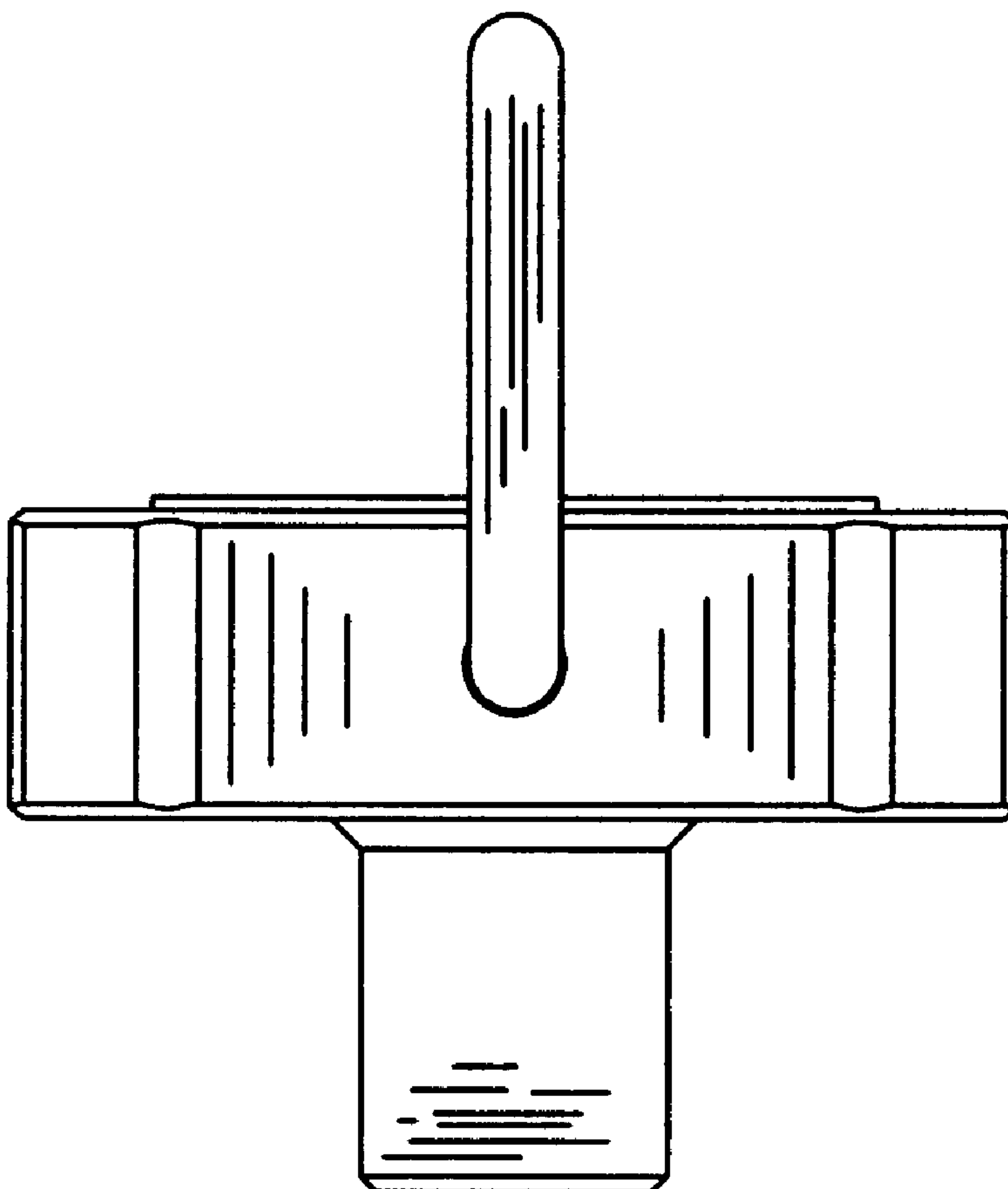


Fig. 1

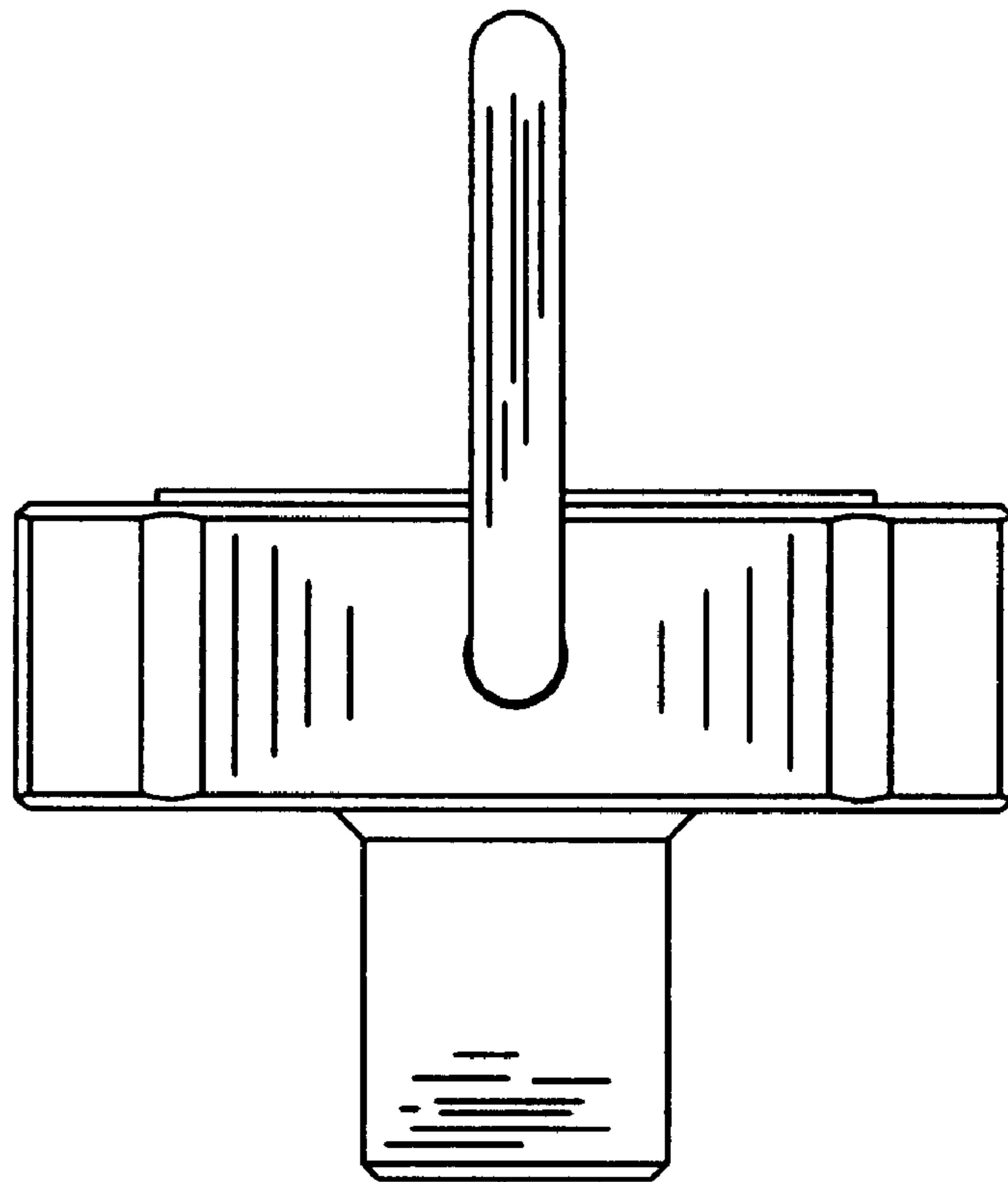


Fig. 2

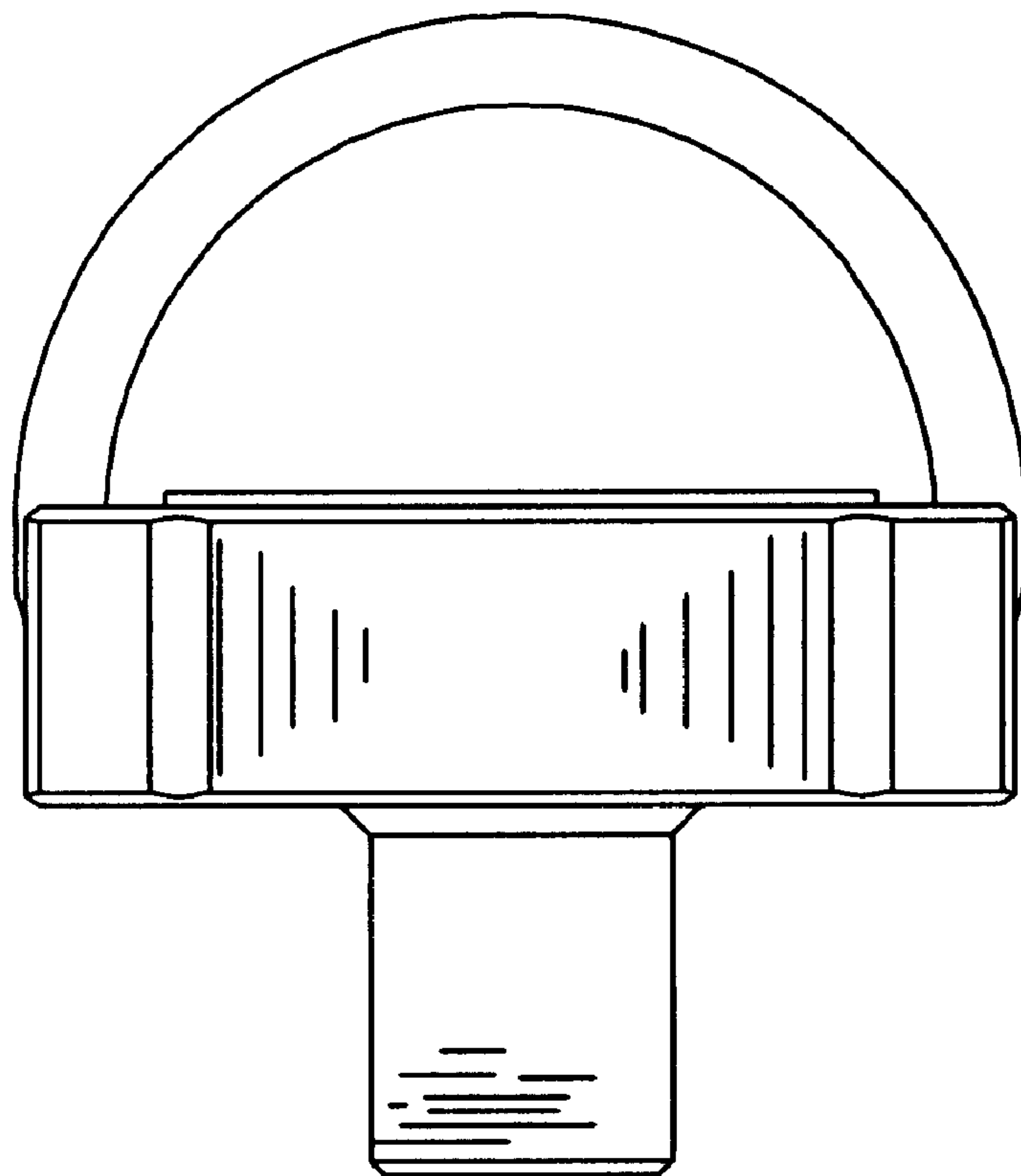


Fig. 3

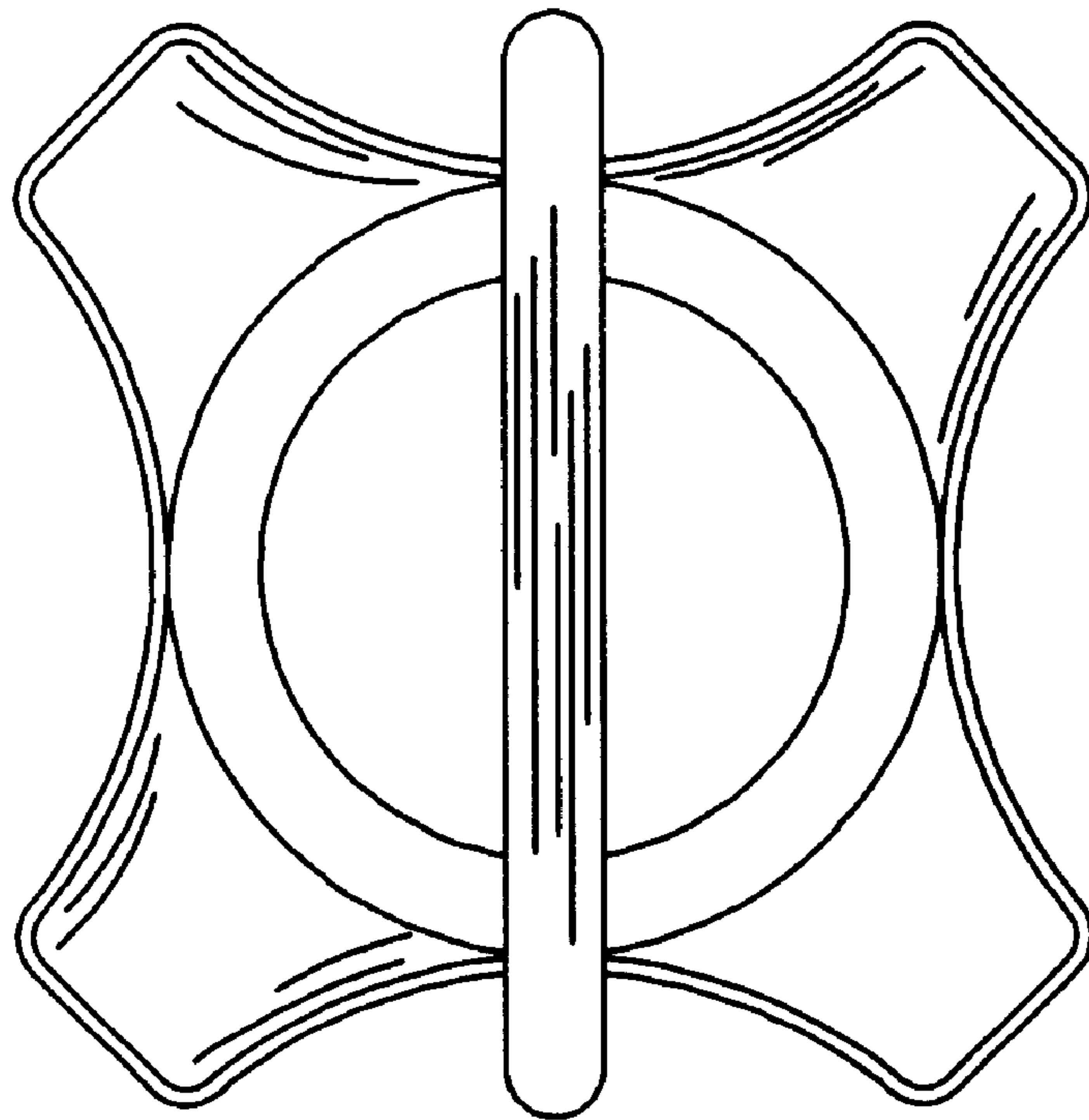


Fig. 4

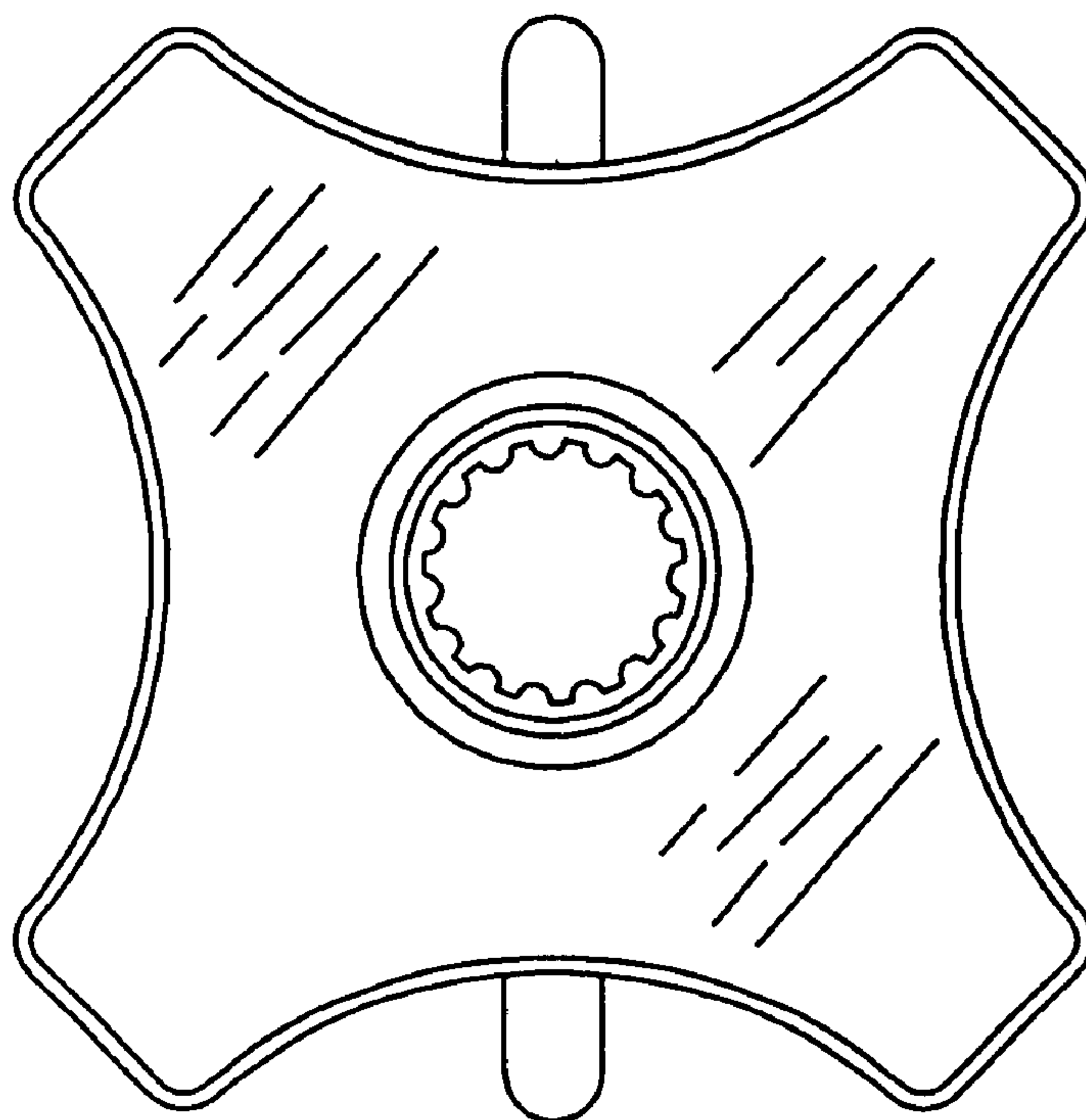


Fig. 5

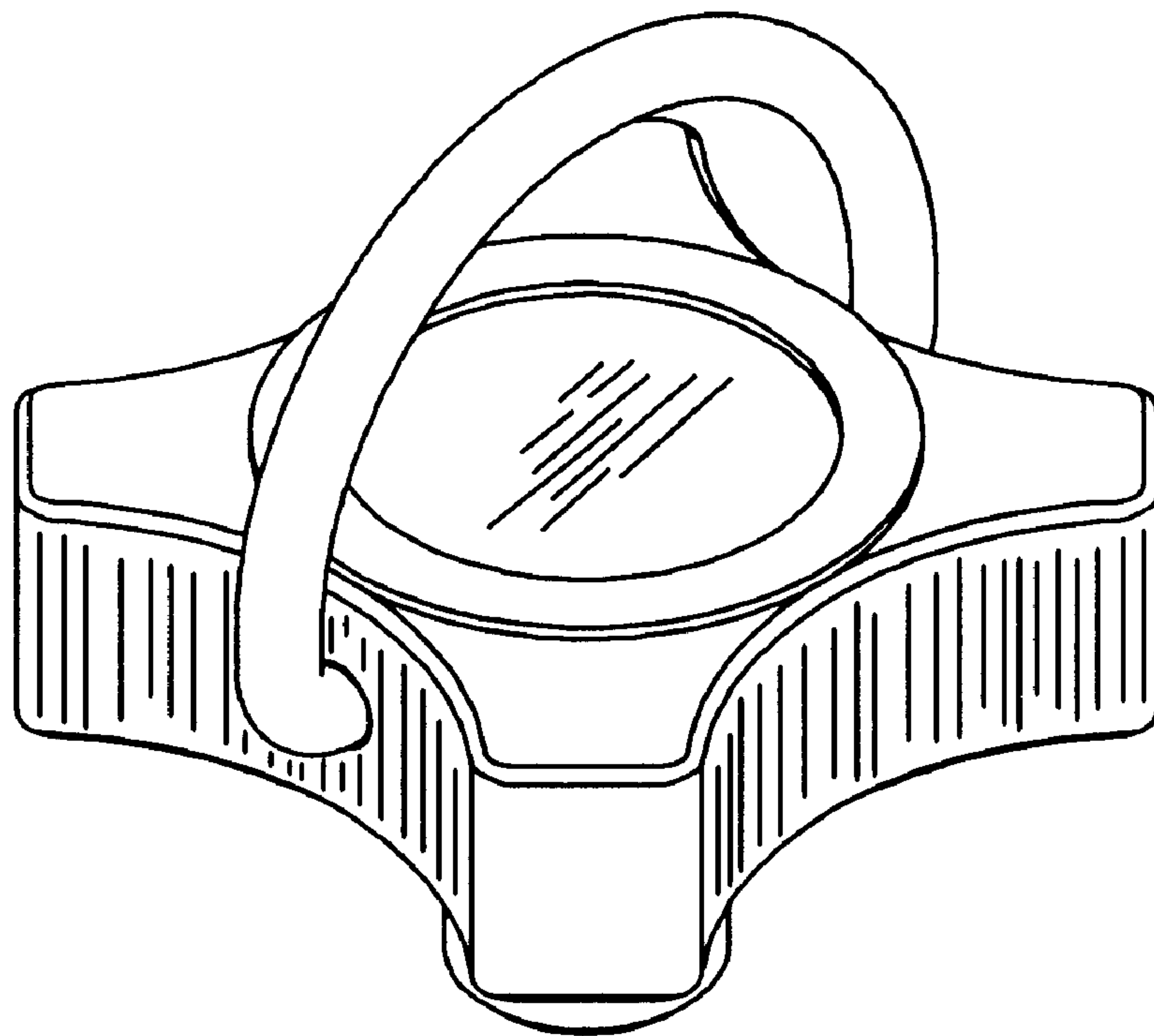


Fig. 6

