



US00D515880S

(12) **United States Design Patent**
Lerner

(10) **Patent No.:** **US D515,880 S**

(45) **Date of Patent:** **** Feb. 28, 2006**

(54) **MULTI-COMPARTMENT FOOD STORAGE
CONTAINER WITH REMOVABLE
THERMAL PRESERVATION INSERT**

D386,075 S * 11/1997 Hayes et al. D9/761
6,048,558 A * 4/2000 Feldmeier et al. 206/542
D451,769 S * 12/2001 Stanos et al. D7/629

(76) Inventor: **William S. Lerner**, 215 E. 68th St.,
Apt. 23A, New York, NY (US)
10021-5729

* cited by examiner

Primary Examiner—Terry A. Wallace

(74) *Attorney, Agent, or Firm*—Steven Horowitz

(**) Term: **14 Years**

(57) **CLAIM**

(21) Appl. No.: **29/207,640**

The ornamental design for a multi-compartment food storage container with removable thermal preservation insert, as shown and described.

(22) Filed: **Jun. 15, 2004**

(51) **LOC (8) Cl.** **07-01**

DESCRIPTION

(52) **U.S. Cl.** **D7/629; D9/761**

(58) **Field of Classification Search** D7/629,

D7/602, 550.1, 553.1–554.1, 555–557; D9/737,

D9/751, 761, 762, 414, 418, 424–432; 206/557–564;

220/23.8, 23.2, 23.83, 23.4, 662, 675, 780–783,

220/792–799, 805; 229/406, 407

See application file for complete search history.

FIG. 1 is an exploded isometric view of the multi-compartment food storage container with removable thermal preservation insert showing my new design;

FIG. 2 is a side elevation view of FIG. 1 shown partly broken away and partly in section taken in the direction of the arrow 2 in FIG. 1;

FIG. 3 is an exploded isometric view of an alternative embodiment of FIG. 1; and,

FIG. 4 is a side elevation view of FIG. 3 shown partly broken away and partly in section taken in the direction of the arrow 4 in FIG. 3.

(56) **References Cited**

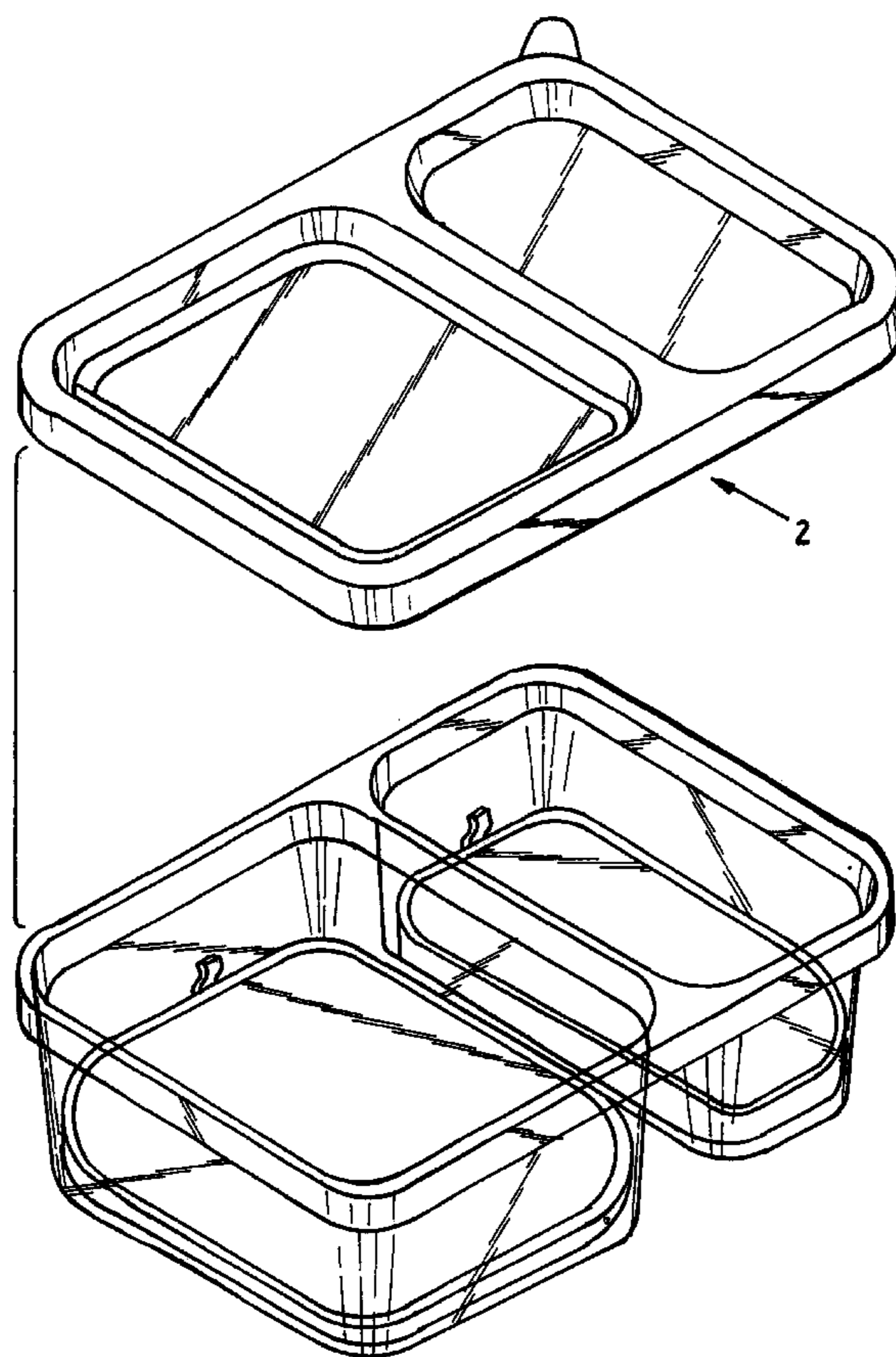
U.S. PATENT DOCUMENTS

D220,749 S * 5/1971 Artz D9/761

D352,202 S * 11/1994 Campbell et al. D7/553.2

D372,170 S * 7/1996 Ahern, Jr. D7/549

1 Claim, 4 Drawing Sheets



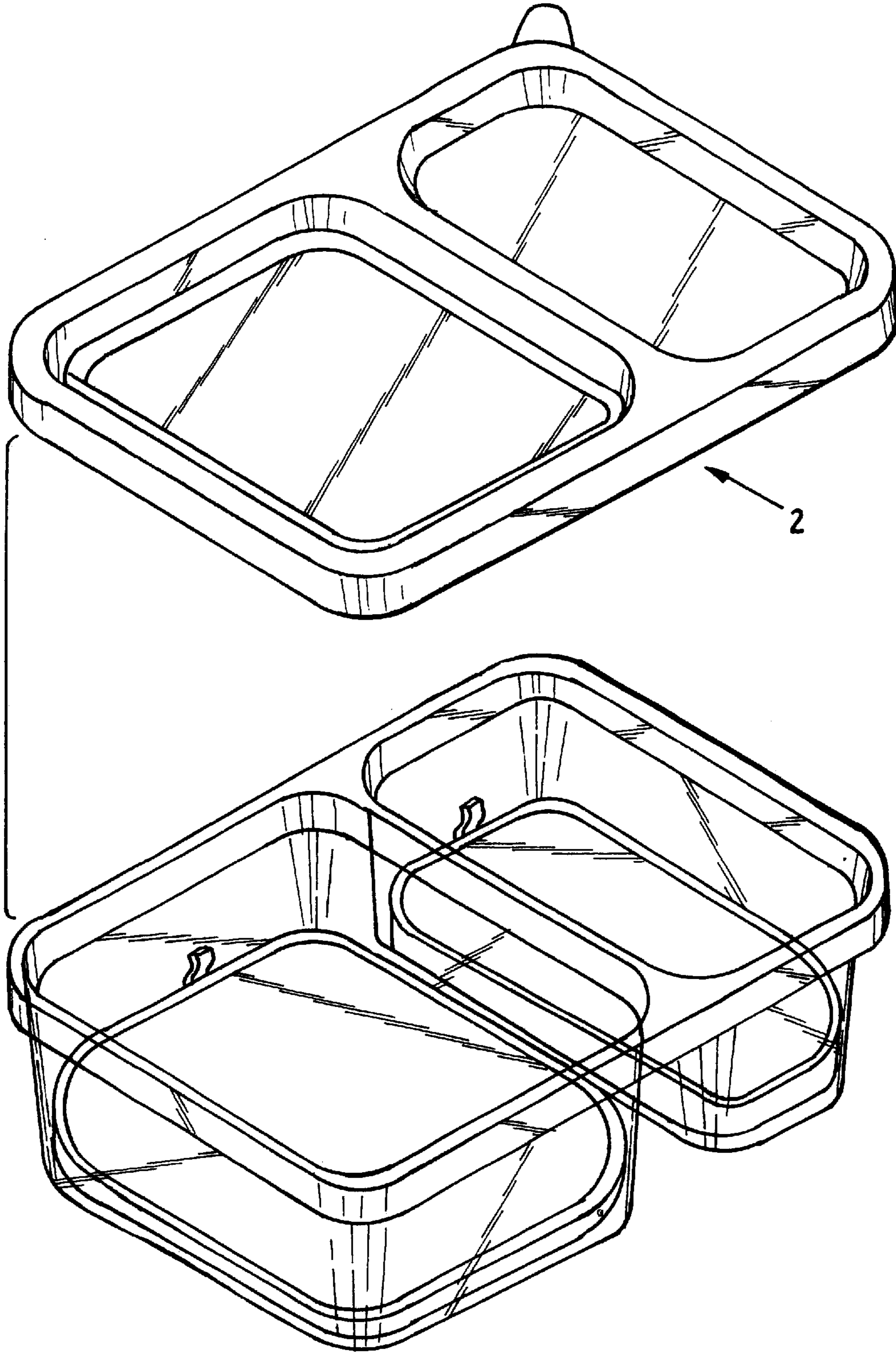


FIG. 1

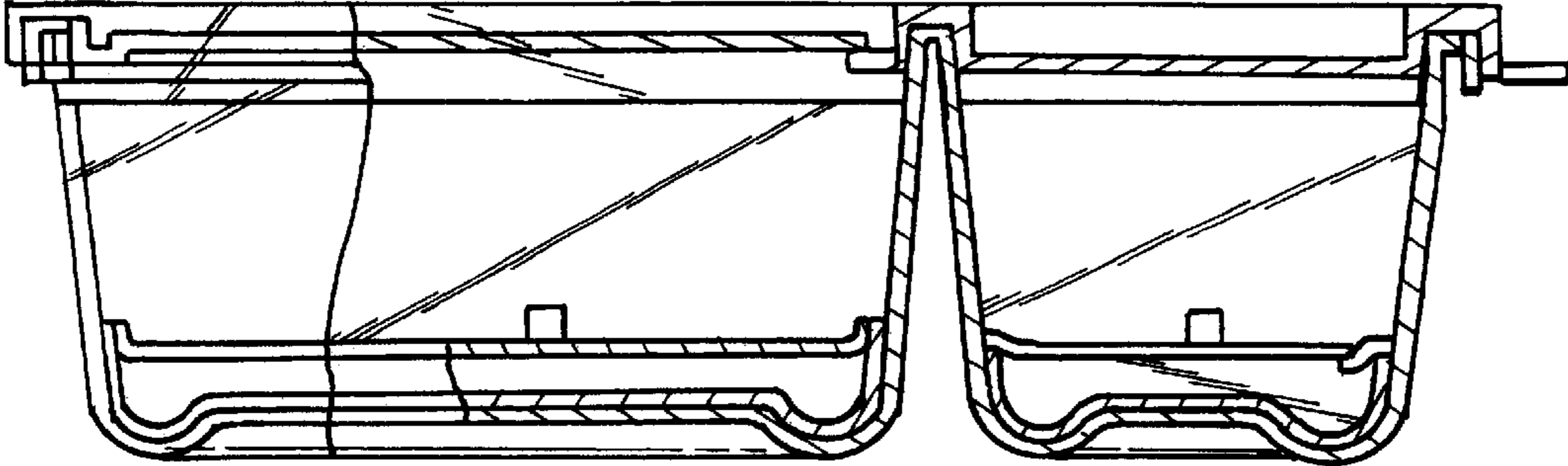


FIG. 2

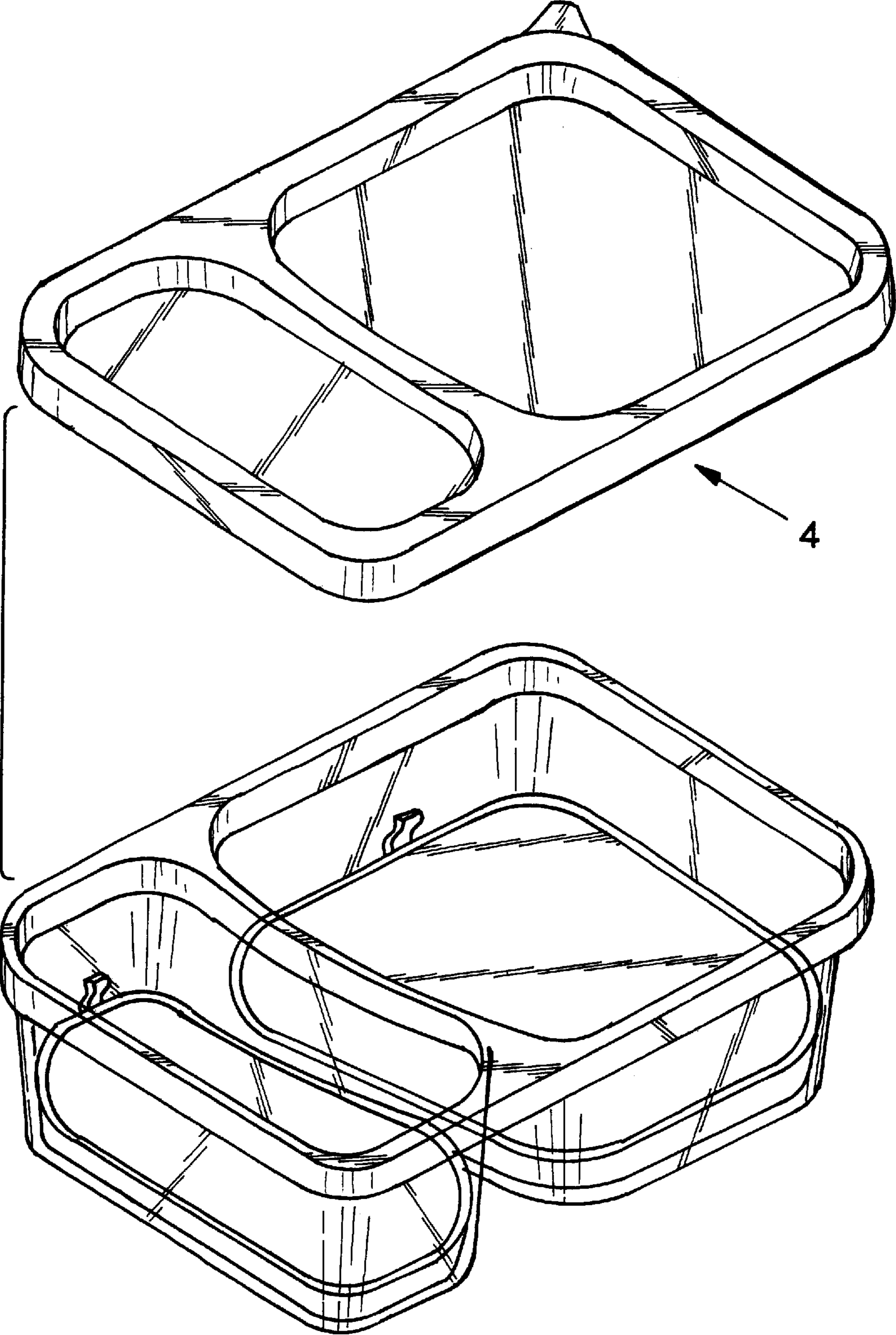


FIG. 3

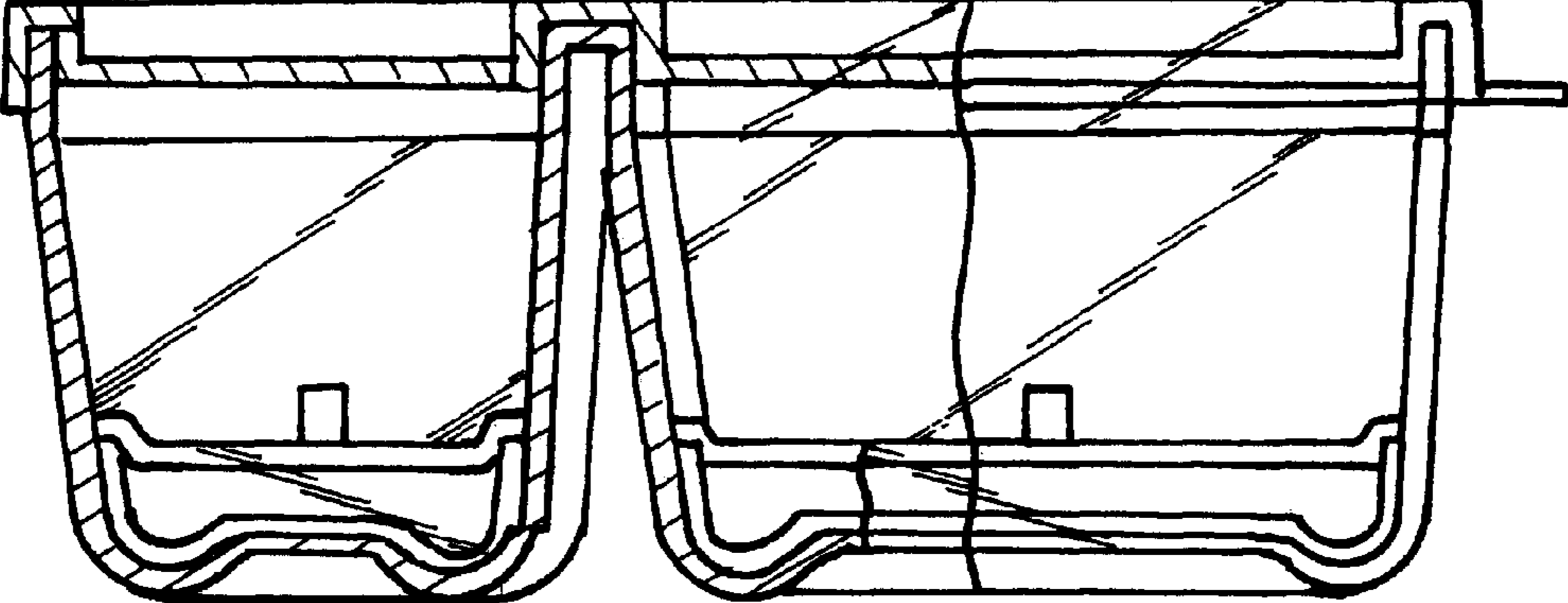


FIG. 4