



US00D515878S

(12) **United States Design Patent** (10) **Patent No.:** **US D515,878 S**
Czepowicz et al. (45) **Date of Patent:** **** Feb. 28, 2006**

- (54) **HOLDER FOR AN INVERTED CONTAINER**
- (75) Inventors: **Tom Czepowicz**, Santa Cruz, CA (US);
Stephen Locke, San Rafael, CA (US)
- (73) Assignee: **Protonium, Inc.**, Santa Cruz, CA (US)
- (**) Term: **14 Years**
- (21) Appl. No.: **29/232,746**
- (22) Filed: **Jun. 23, 2005**

- D351,103 S * 10/1994 Reynolds D9/456
- 5,704,579 A * 1/1998 Celentino et al. 248/311.2
- D448,978 S * 10/2001 Isbell D7/619.1
- 6,481,685 B1 * 11/2002 Cormier 248/311.3

* cited by examiner

Primary Examiner—Terry A. Wallace
(74) *Attorney, Agent, or Firm*—Hovey Williams LLP

(57) **CLAIM**

We claim—The Ornamental Design for a holder for an inverted container, as Shown and Described.

Related U.S. Application Data

- (62) Division of application No. 29/217,770, filed on Nov. 22, 2004, which is a continuation of application No. 10/397,721, filed on Mar. 28, 2003, now abandoned.
- (51) **LOC (8) Cl.** **07-01**
- (52) **U.S. Cl.** **D7/619.1**
- (58) **Field of Classification Search** D7/619.1–625,
D7/701–708; 248/311.2, 311.3, 309.1, 312.1;
141/106, 364, 369, 375; 211/74
See application file for complete search history.

DESCRIPTION

FIG. 1—Perspective view of a generally elliptical holder for inverted containers;

FIG. 2—A side elevational view of the holder of FIG. 1 with an inverted container supported on the holder being shown in dashed lines;

FIG. 3—An end elevational view of the holder of FIGS. 1 and 2, showing the fully open ends of the holder and again illustrating an inverted container supported on the holder being shown in dashed lines; and,

FIG. 4—A plan view of the holder of FIGS. 1, 2 and 3, better illustrating the shamrock-shaped opening for receiving the inverted container as depicted by dashed lines in FIGS. 2 and 3.

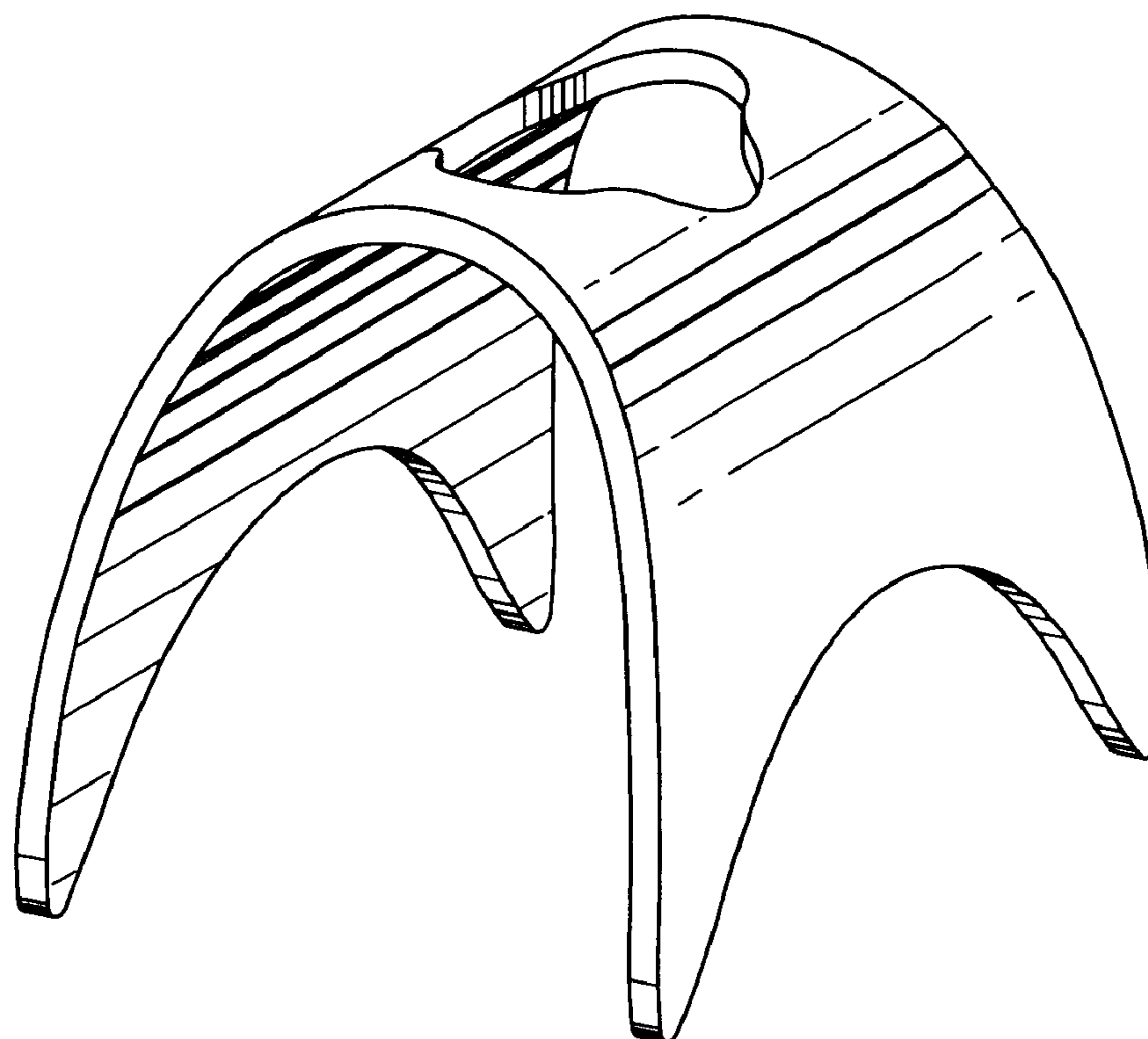
The broken lines showing the bottle are for illustrative purposes only and form no part of the claimed design.

(56) **References Cited**

U.S. PATENT DOCUMENTS

- 4,271,878 A * 6/1981 Bologa 141/375
- D286,507 S * 11/1986 Drago D9/415
- D318,393 S * 7/1991 Shea et al. D7/619.1
- 5,255,401 A * 10/1993 Sambrookes et al. 211/112

1 Claim, 1 Drawing Sheet



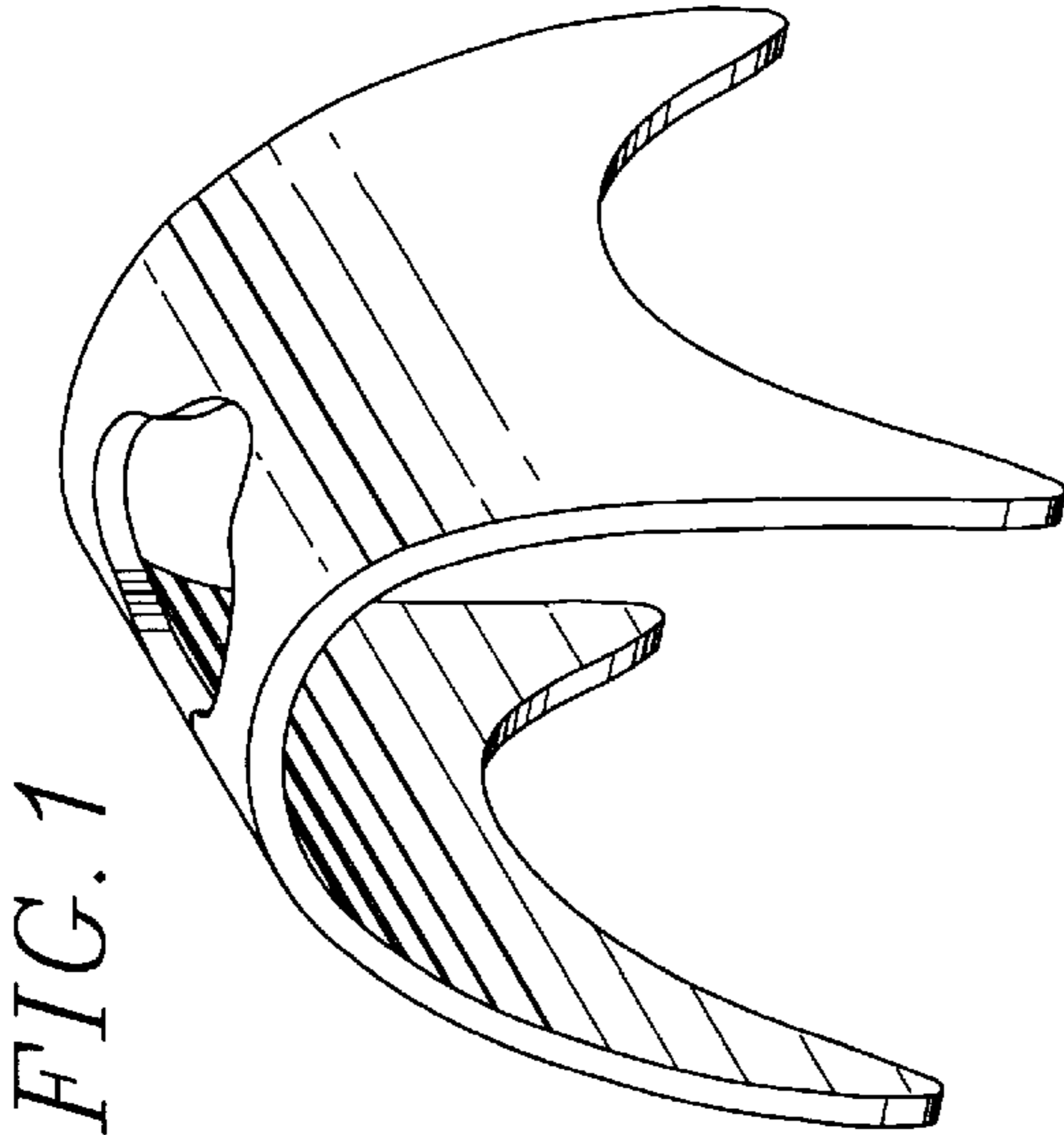


FIG. 1

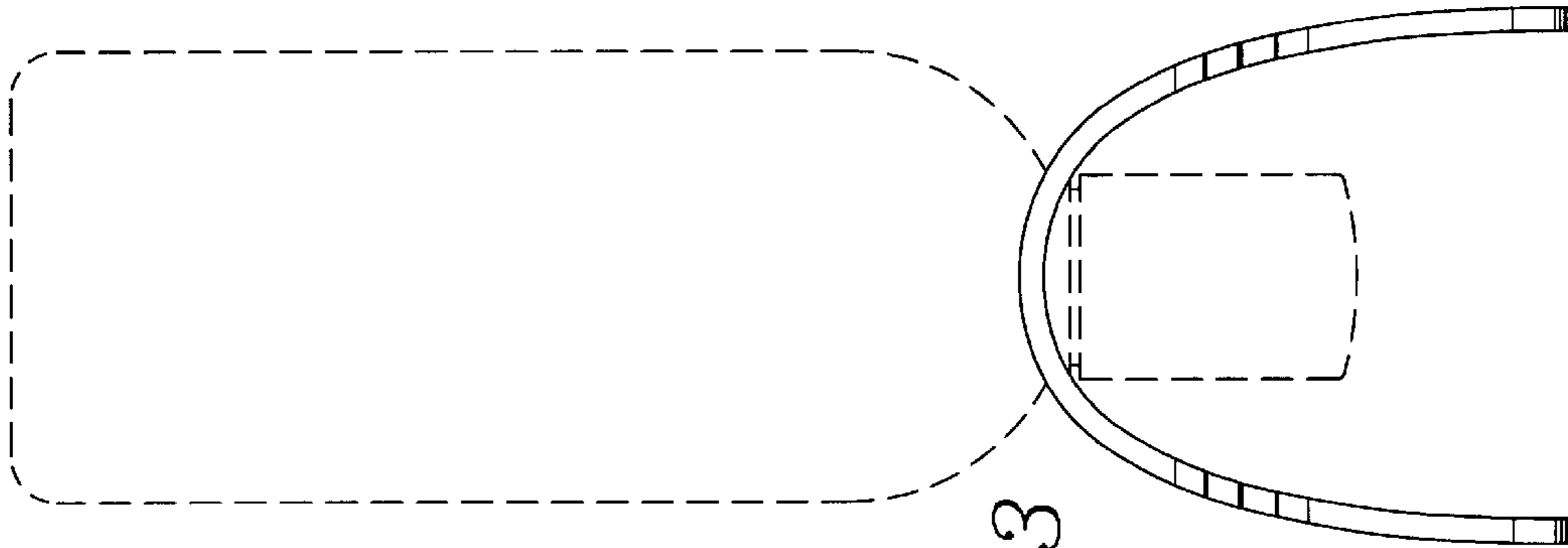


FIG. 2

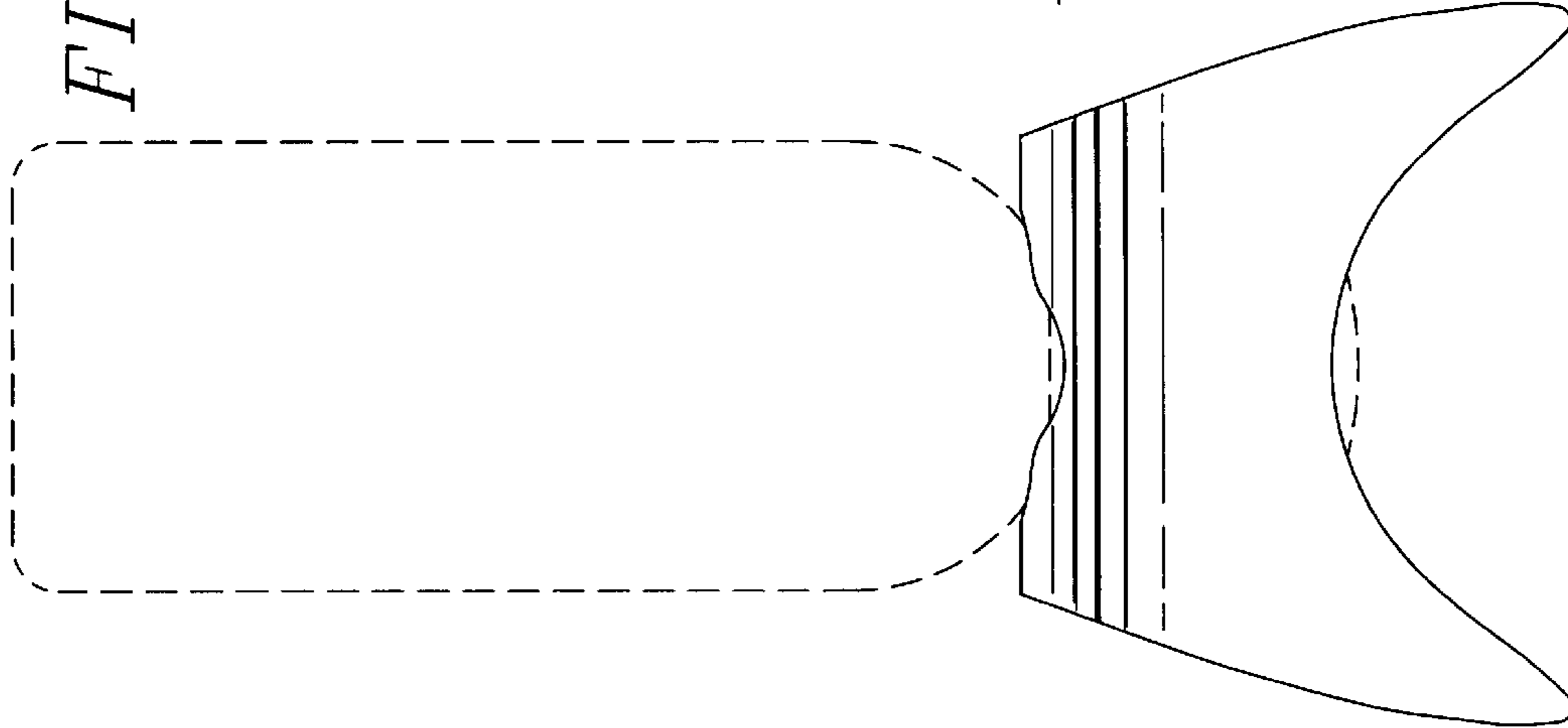


FIG. 3

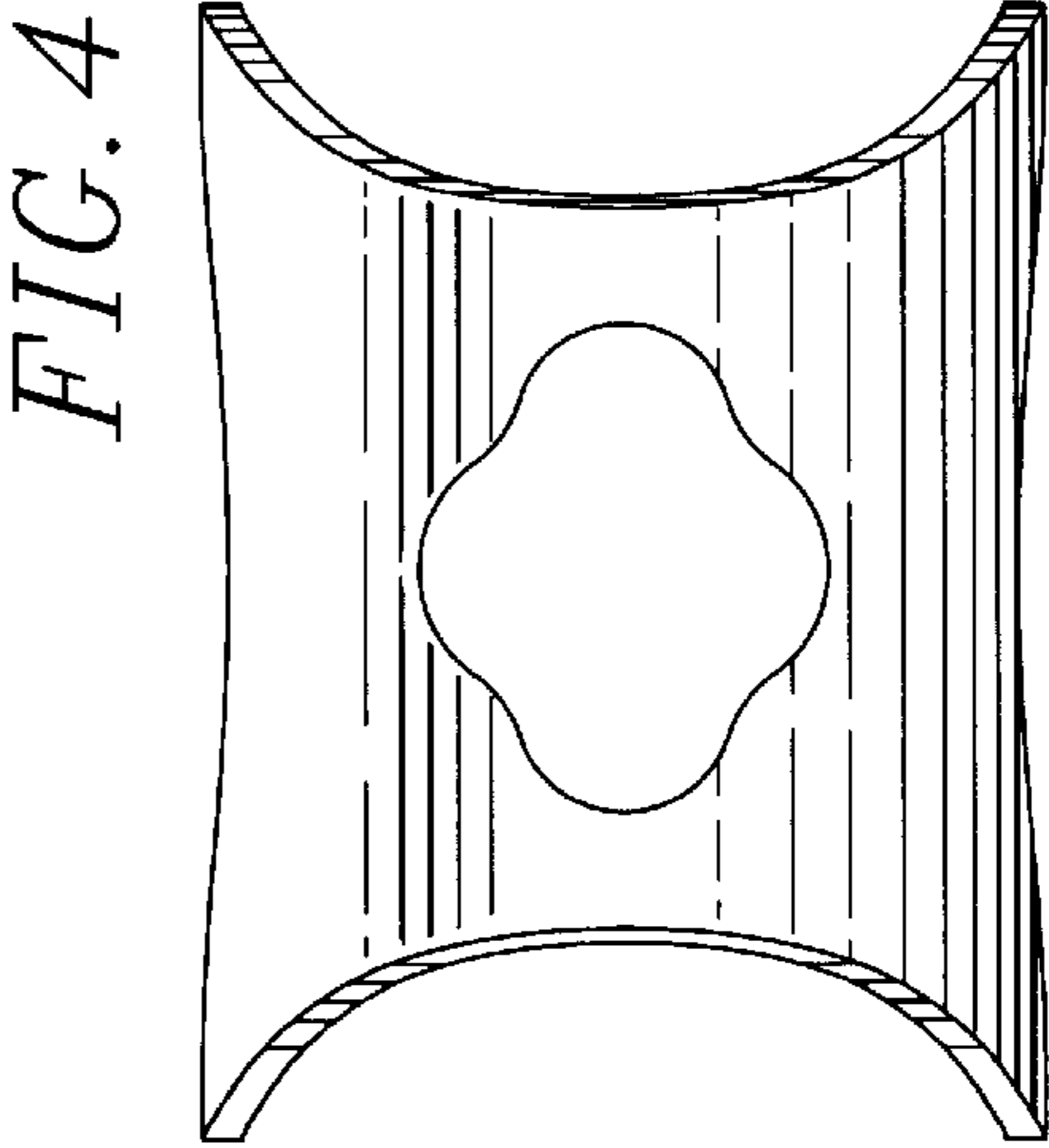


FIG. 4